

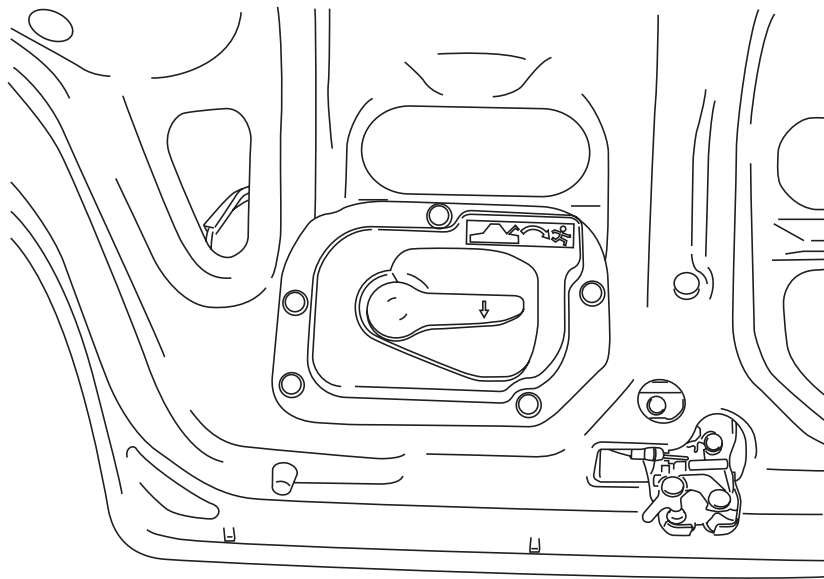
## TRUNK LID RELEASE HANDLE

### SECURITY AND LOCKS

#### 5. Trunk Lid Release Handle

##### A: GENERAL

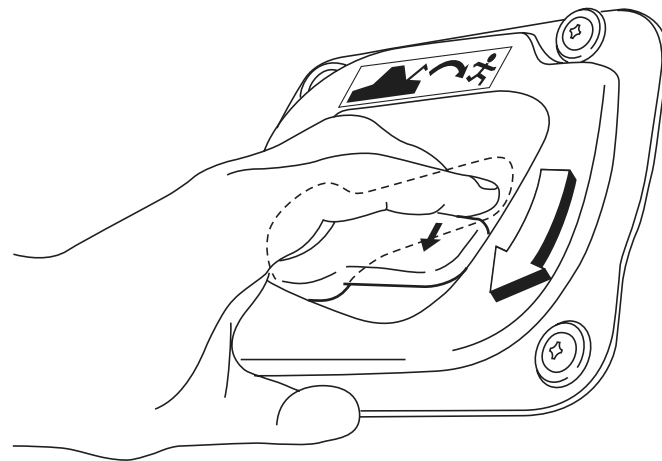
- The trunk lid release handle is a device designed to open the trunk lid from inside the trunk.
- In the event children or adults become locked inside the trunk, the handle allows them to open the lid.
- The handle is located on the inside of the trunk lid.
- The handle is made of material that remains luminescent for approximately an hour in the dark trunk space after it is exposed to ambient light event for a short time.



SL-00168

##### B: OPERATION

To open the trunk lid from inside the trunk, press the yellow handle downward as indicated by the arrow on the handle, this operation unlocks the trunk lid. Then push up the lid.



SL-00169

SL-8