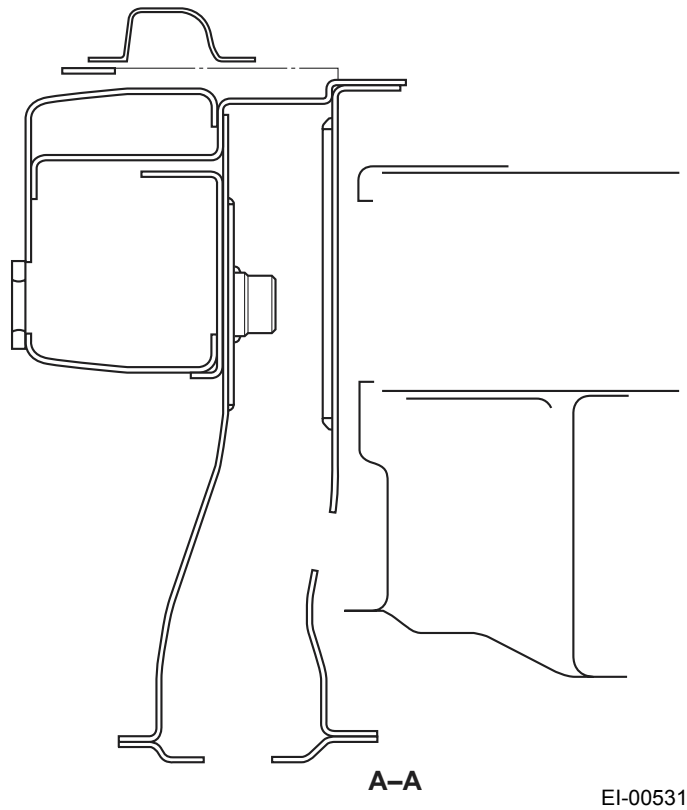
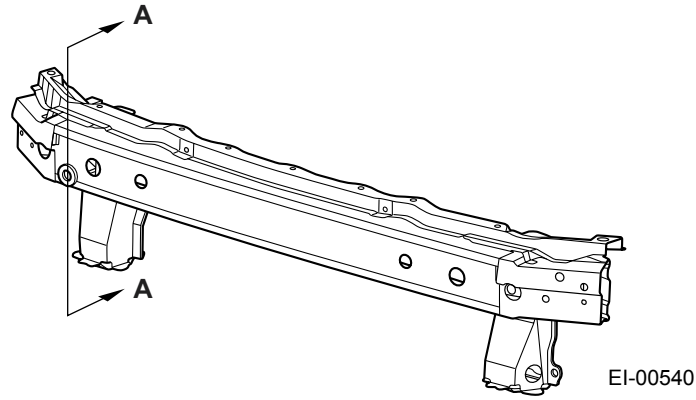


FRONT BUMPER BEAM ASSEMBLY

EXTERIOR/INTERIOR TRIM

3. Front Bumper Beam Assembly

A bumper beam assembly is placed inside the front bumper. The beam assembly is fastened to the chassis frame with bolts and nuts and absorbs the shock energy in case of a front collision to enhance safety of the vehicle.



EI-4