

FUEL INJECTION (FUEL SYSTEMS)

General Description

FUEL INJECTION (FUEL SYSTEMS)

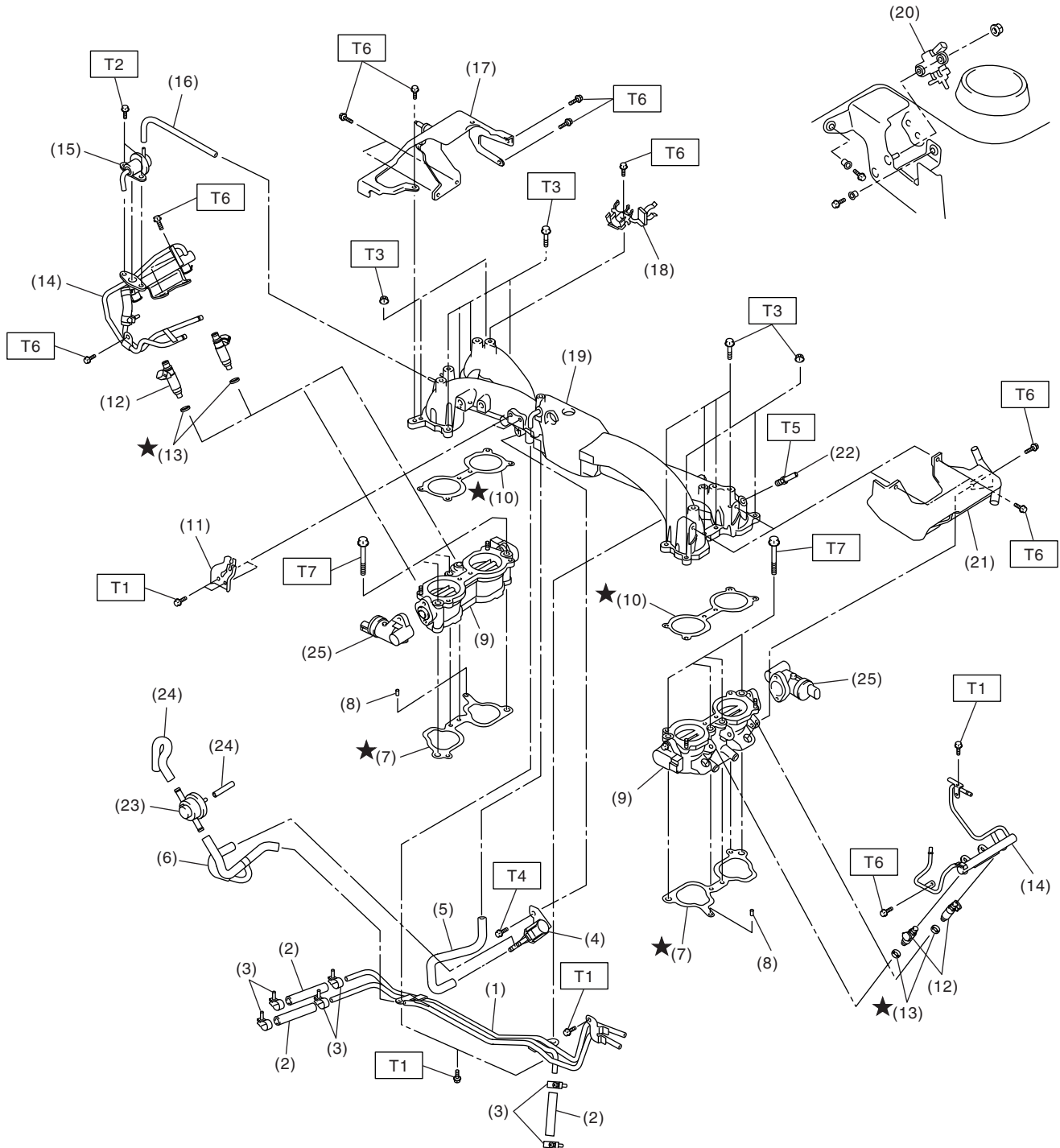
1. General Description

A: SPECIFICATION

Fuel tank	Capacity	60 ℓ (15.9 US gal, 13.2 Imp gal)
	Location	Under rear seat
Fuel pump	Type	Impeller
	Shutoff discharge pressure	450 — 677 kPa (4.59 — 6.9 kg/cm ² , 65.27 — 98.2 psi)
	Discharge flow	More than 130 ℓ (34.3 US gal, 28.6 Imp gal)/h [12 V at 300 kPa (3.06 kg/cm ² , 43.5 psi)]
Fuel filter		Cartridge type

B: COMPONENT

1. INTAKE MANIFOLD



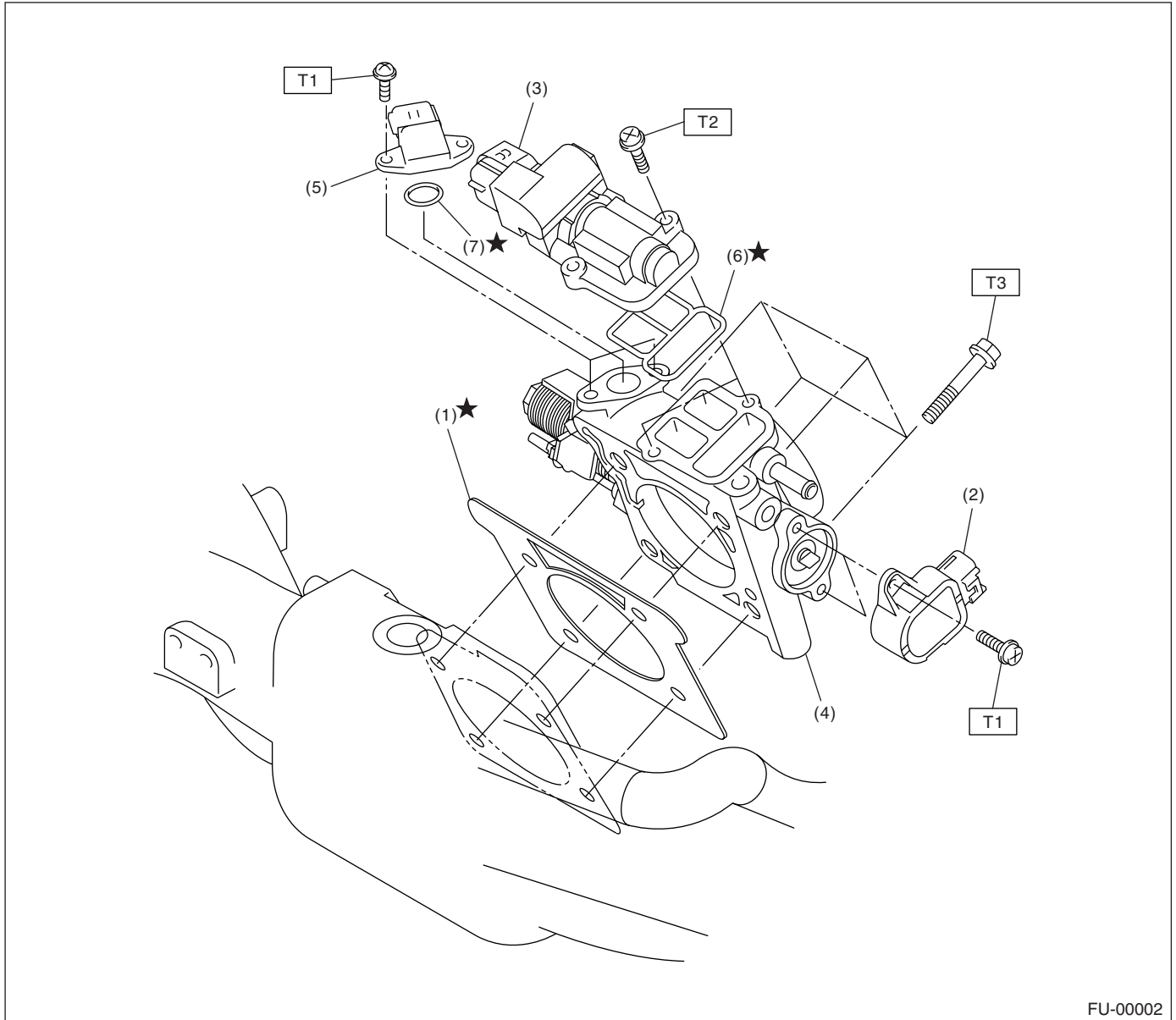
FU-00966

General Description

FUEL INJECTION (FUEL SYSTEMS)

(1) Fuel pipe ASSY	(13) Insulator	(24) Purge hose
(2) Fuel hose	(14) Fuel injector pipe	(25) Tumble generator valve actuator
(3) Clip	(15) Pressure regulator	
(4) Purge control solenoid valve	(16) Pressure regulator hose	<hr/>
(5) Vacuum hose	(17) Fuel pipe protector RH	Tightening torque: N·m (kgf-m, ft-lb)
(6) Vacuum control hose	(18) Blow-by hose stay	T1: 4.9 (0.5, 3.6)
(7) Intake manifold gasket	(19) Intake manifold	T2: 6.4 (0.65, 4.7)
(8) Guide pin	(20) Wastegate control solenoid valve ASSY	T3: 8.25 (0.84, 6.1)
(9) Tumble generator valve ASSY	(21) Fuel pipe protector LH	T4: 16 (1.6, 11.8)
(10) Tumble generator valve gasket	(22) Nipple	T5: 17 (1.73, 12.5)
(11) Accelerator cable bracket	(23) Purge valve	T6: 19 (1.94, 13.7)
(12) Fuel injector		T7: 25 (2.5, 18.1)

2. AIR INTAKE SYSTEM



FU-00002

- (1) Gasket
- (2) Throttle position sensor
- (3) Idle air control solenoid valve
- (4) Throttle body

- (5) Manifold absolute pressure sensor
- (6) Gasket
- (7) O-ring

Tightening torque: N·m (kgf-m, ft-lb)

T1: 1.6 (0.16, 1.2)

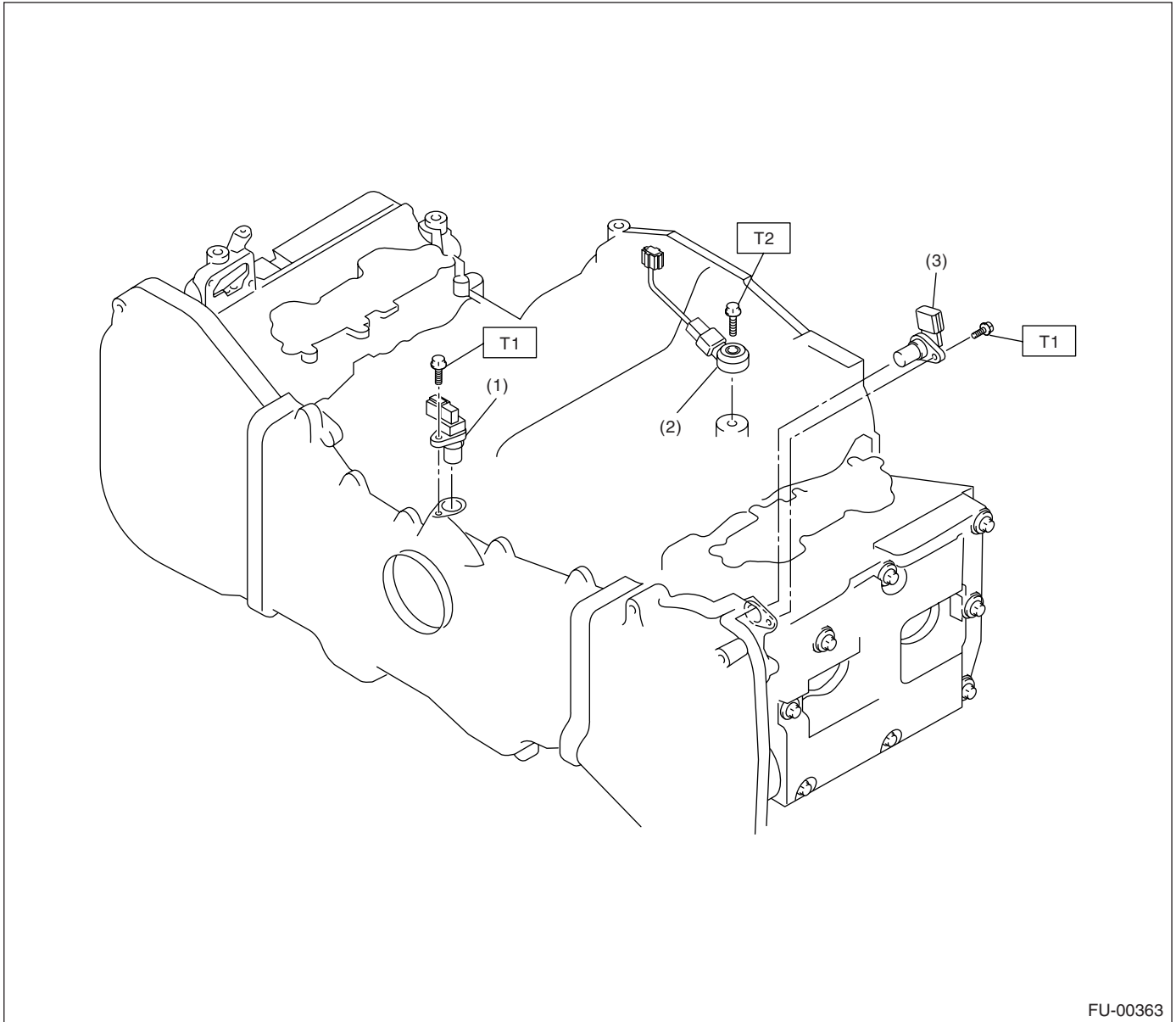
T2: 2.8 (0.29, 2.1)

T3: 22 (2.2, 15.9)

General Description

FUEL INJECTION (FUEL SYSTEMS)

3. CRANKSHAFT POSITION, CAMSHAFT POSITION AND KNOCK SENSORS



- (1) Crankshaft position sensor
- (2) Knock sensor

- (3) Camshaft position sensor

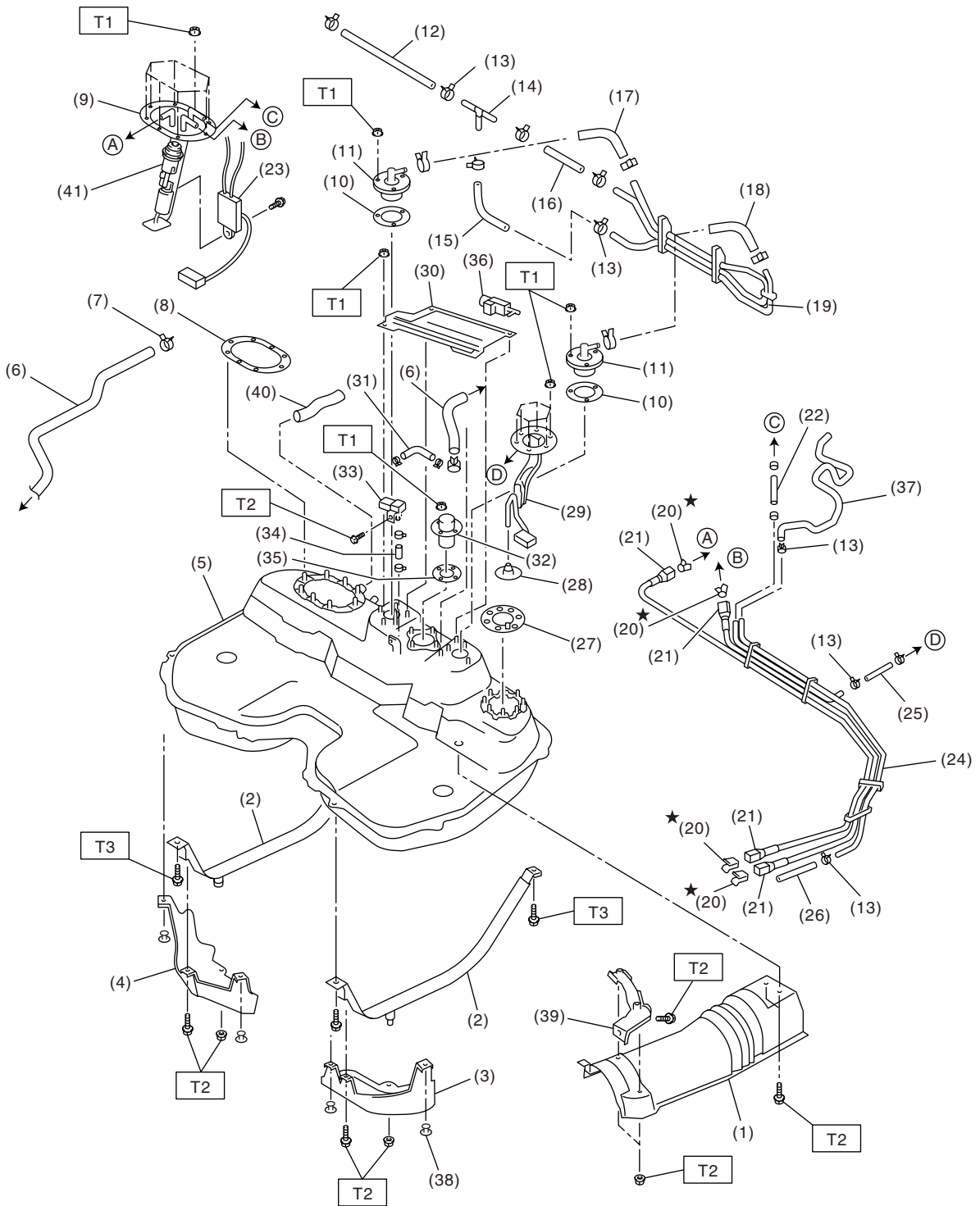
Tightening torque: N·m (kgf·m, ft·lb)

T1: 6.4 (0.65, 4.7)

T2: 24 (2.4, 17.4)

General Description

4. FUEL TANK



FU-02575

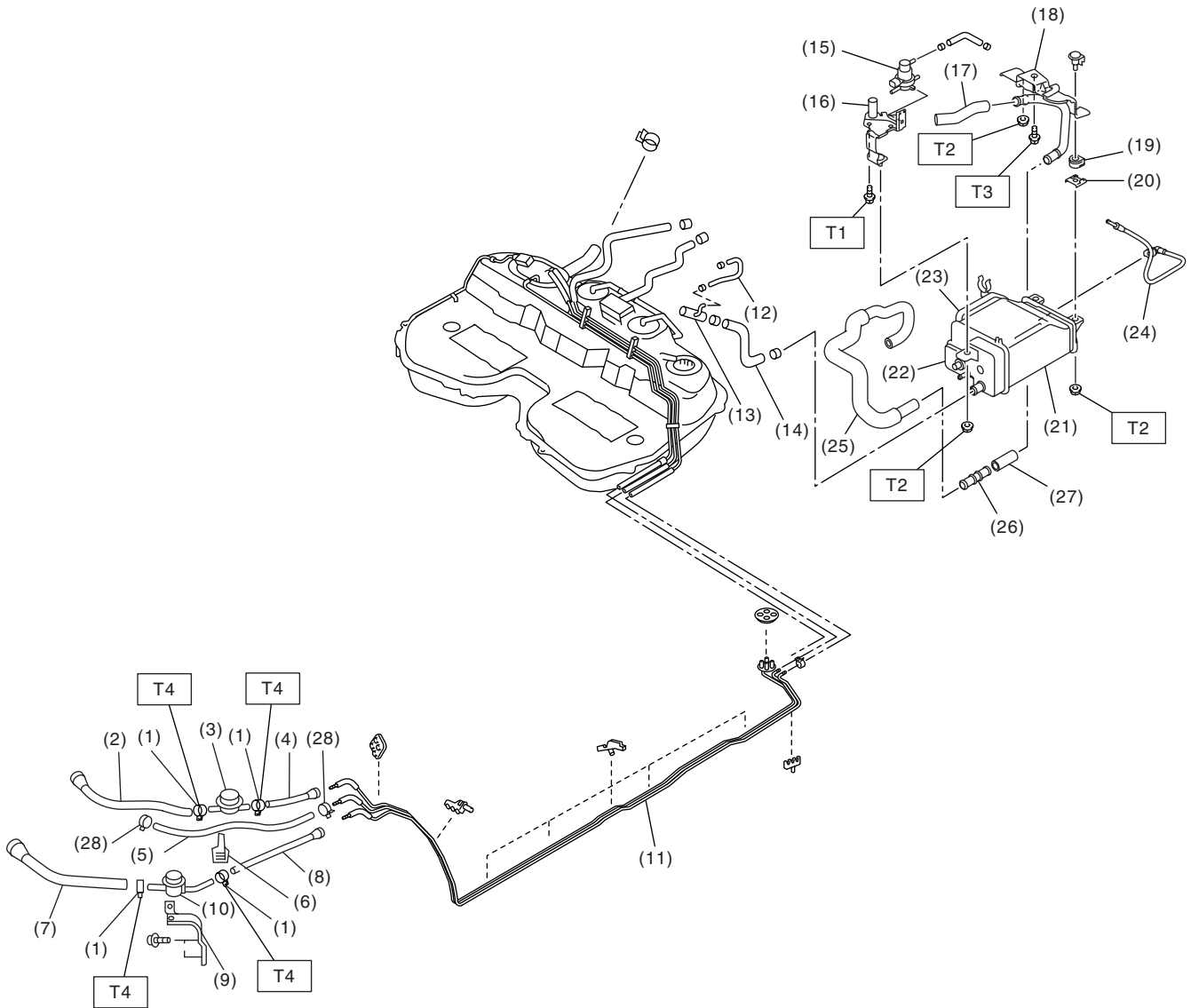
General Description

FUEL INJECTION (FUEL SYSTEMS)

(1) Heat shield cover	(17) Evaporation hose D	(33) Fuel tank pressure sensor
(2) Fuel tank band	(18) Evaporation hose E	(34) Fuel tank pressure sensor hose
(3) Protector LH	(19) Evaporation pipe ASSY	(35) Vent valve gasket
(4) Protector RH	(20) Retainer	(36) Fuel tank sensor control valve
(5) Fuel tank	(21) Quick connector	(37) Purge hose
(6) Canister hose A	(22) Jet pump hose A	(38) Clip
(7) Clamp	(23) Fuel level sensor	(39) Cover bracket
(8) Fuel pump gasket	(24) Fuel pipe ASSY	(40) Filler hose
(9) Fuel pump ASSY	(25) Jet pump hose B	(41) Fuel filter
(10) Fuel cut valve gasket	(26) Evaporation hose F	
(11) Fuel cut valve	(27) Fuel sub level sensor gasket	
(12) Evaporation hose A	(28) Jet pump filter	
(13) Clip	(29) Fuel sub level sensor	
(14) Joint pipe	(30) Protector cover	
(15) Evaporation hose C	(31) Vent valve hose	
(16) Evaporation hose B	(32) Vent valve	

Tightening torque: N·m (kgf·m, ft·lb)**T1: 4.4 (0.45, 3.3)****T2: 7.4 (0.75, 5.4)****T3: 33 (3.4, 25)**

5. FUEL LINE



FU-02570

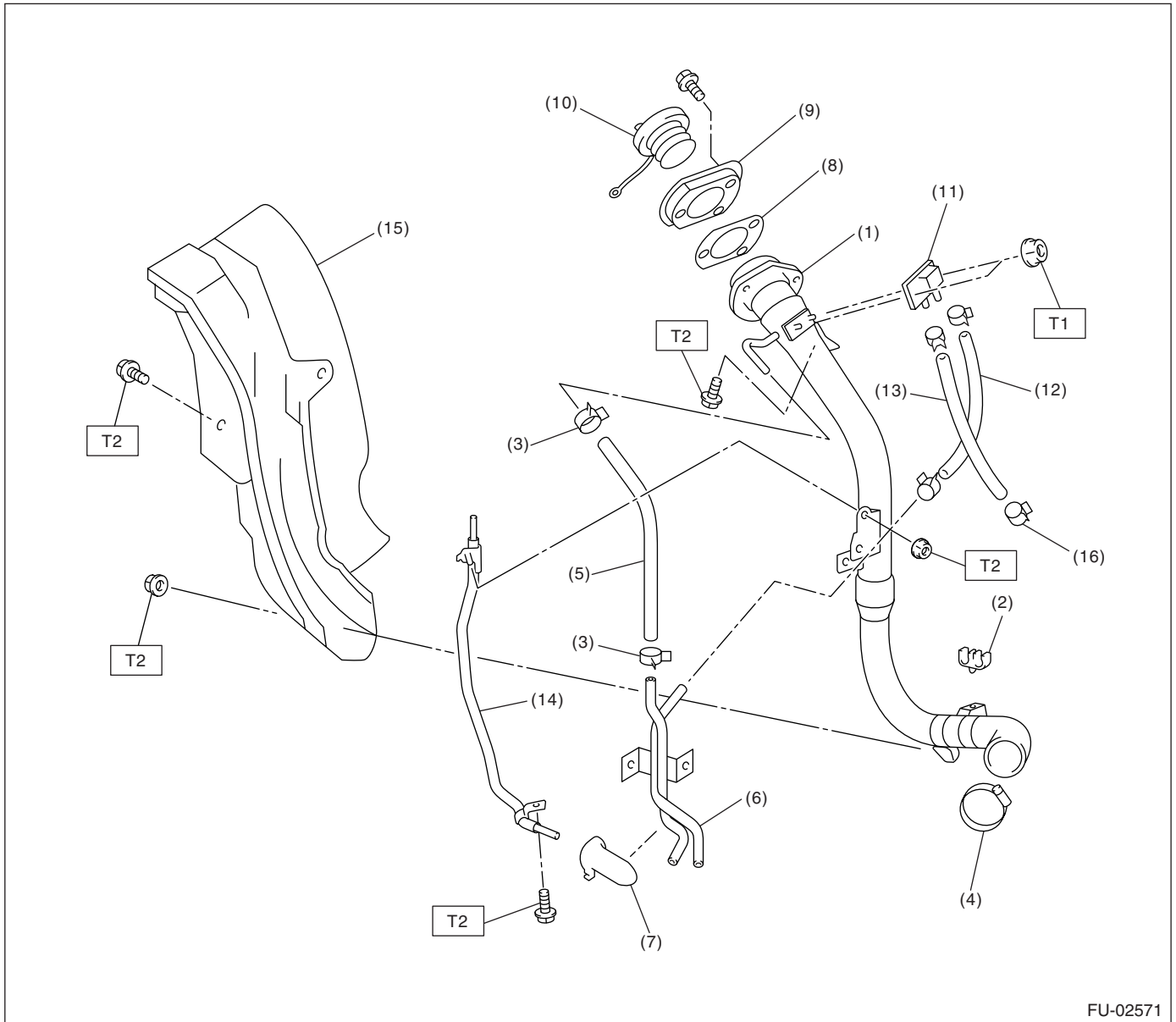
General Description

FUEL INJECTION (FUEL SYSTEMS)

(1) Clamp	(13) Joint pipe	(24) Pressure control solenoid valve tube
(2) Fuel return hose A	(14) Canister hose A	(25) Drain hose A
(3) Fuel damper valve (return)	(15) Pressure control solenoid valve	(26) Connector drain
(4) Fuel return hose B	(16) Pressure control solenoid valve bracket	(27) Drain hose B
(5) Evaporation hose A	(17) Drain hose C	(28) Clamp
(6) Clip	(18) Canister upper bracket	
(7) Fuel delivery hose A	(19) Cushion rubber	
(8) Fuel delivery hose B	(20) Canister lower bracket	
(9) Fuel damper valve bracket	(21) Canister	
(10) Fuel damper valve (delivery)	(22) Drain valve	
(11) Fuel pipe ASSY	(23) Drain filter	
(12) Evaporation hose B		

Tightening torque: N-m (kgf-m, ft-lb)**T1: 25 (2.5, 18.1)****T2: 23 (2.3, 16.6)****T3: 33 (3.4, 25)****T4: 1.25 (0.12, 0.9)**

6. FUEL FILLER PIPE



FU-02571

- | | | |
|-----------------------------|-------------------------|---------------------------------|
| (1) Fuel filler pipe ASSY | (8) Filler pipe packing | (15) Fuel filler pipe protector |
| (2) Evaporation hose holder | (9) Filler ring | (16) Clamp |
| (3) Clip | (10) Filler cap | |
| (4) Clamp | (11) Shut valve | |
| (5) Evaporation hose A | (12) Evaporation hose B | |
| (6) Evaporation pipe | (13) Evaporation hose C | |
| (7) Evaporation pipe holder | (14) Joint pipe | |

Tightening torque: N·m (kgf·m, ft·lb)

T1: 4.4 (0.45, 3.3)

T2: 7.5 (0.76, 5.5)

General Description

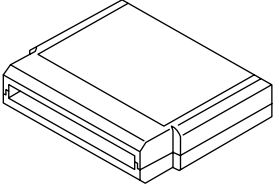

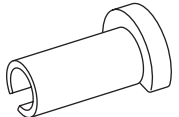
FUEL INJECTION (FUEL SYSTEMS)

C: CAUTION

- Wear work clothing, including a cap, protective goggles and protective shoes during operation.
- Remove contamination including dirt and corrosion before removal, installation or disassembly.
- Keep the disassembled parts in order and protect them from dust and dirt.
- Before removal, installation or disassembly, be sure to clarify the failure. Avoid unnecessary removal, installation, disassembly, and replacement.

- Be careful not to burn yourself, because each part on the vehicle is hot after running.
- Be sure to tighten fasteners including bolts and nuts to the specified torque.
- Place shop jacks or rigid racks at the specified points.
- Before disconnecting electrical connectors of sensors or units, be sure to disconnect the ground cable from battery.
- Place "NO FIRE" signs near the working area.
- Be careful not to spill fuel on the floor.

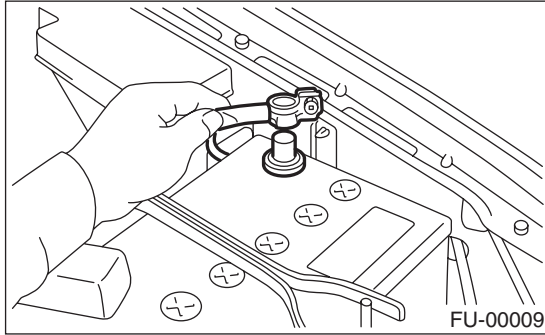
D: PREPARATION TOOL

ILLUSTRATION	TOOL NUMBER	DESCRIPTION	REMARKS
 ST24082AA260	24082AA260	CARTRIDGE	Troubleshooting for electrical system.
 ST22771AA030	22771AA030	SUBARU SELECT MONITOR KIT	Troubleshooting for electrical systems.
 ST42099AE000	42099AE000	CONNECTOR REMOVER	Used for removing quick connector in engine compartment.

2. Throttle Body

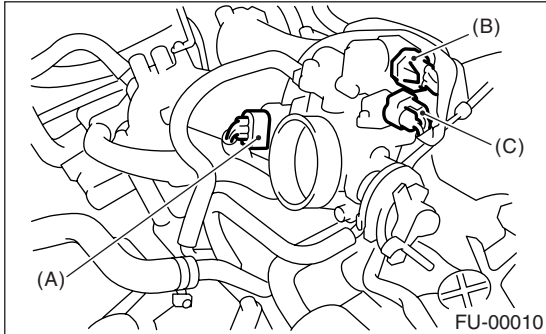
A: REMOVAL

1) Disconnect the ground cable from battery.

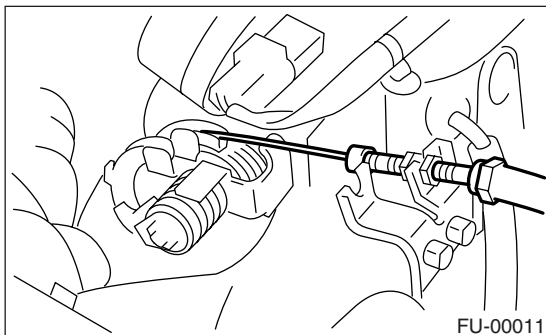


2) Remove the intercooler. <Ref. to IN(H4DOTC)-10, REMOVAL, Intercooler.>

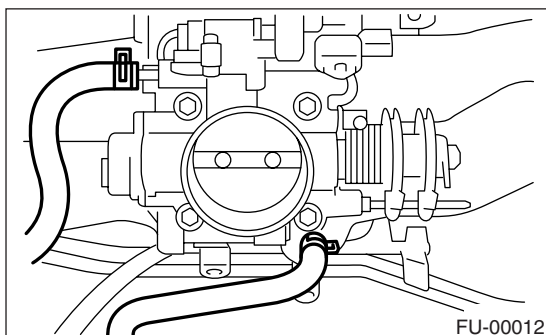
3) Disconnect the connector from the throttle position sensor (A) and idle air control solenoid valve (B) and manifold absolute pressure sensor (C).



4) Disconnect the accelerator cable.



5) Disconnect the engine coolant hoses from the throttle body.



6) Remove the bolts which secure the throttle body to intake manifold.

B: INSTALLATION

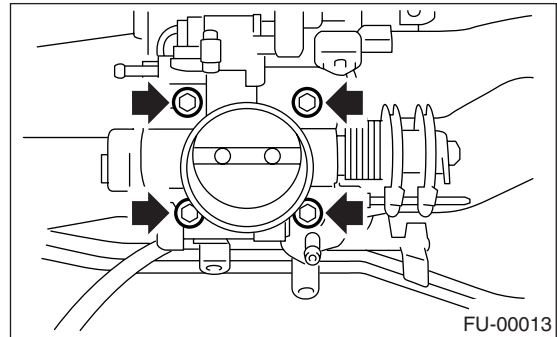
1) Install in the reverse order of removal.

NOTE:

Always use a new gasket.

Tightening torque:

22 N·m (2.2 kgf-m, 15.9 ft-lb)



2) Adjust the play of accelerator cable. <Ref. to SP(H4DOTC)-6, INSTALLATION, Accelerator Control Cable.>

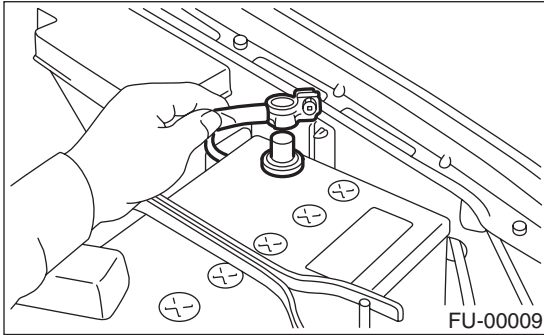
Intake Manifold

FUEL INJECTION (FUEL SYSTEMS)

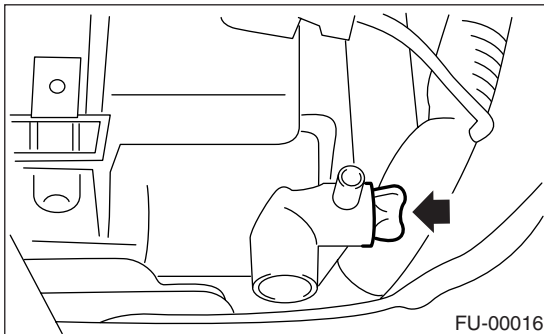
3. Intake Manifold

A: REMOVAL

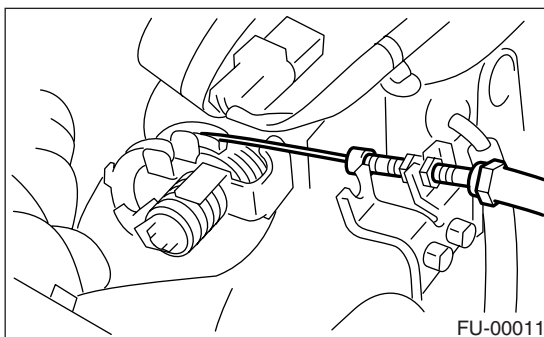
- 1) Release the fuel pressure. <Ref. to FU(H4DOTC)-52, RELEASING OF FUEL PRESSURE, PROCEDURE, Fuel.>
- 2) Open the fuel filler lid and remove the fuel filler cap.
- 3) Disconnect the ground cable from battery.



- 4) Lift up the vehicle.
- 5) Remove the under cover.
- 6) Drain the engine coolant about 3.0 ℓ (3.2 US qt, 2.6 Imp qt).

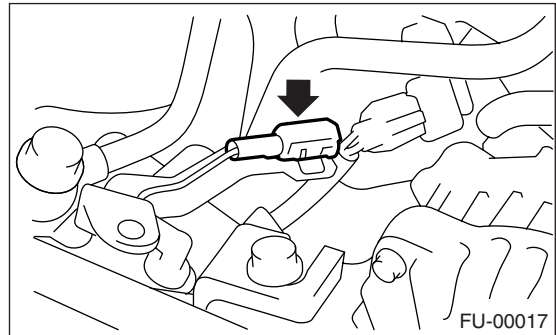


- 7) Remove the air cleaner upper cover and air intake boot. <Ref. to IN(H4DOTC)-7, REMOVAL, Air Cleaner Case.>
- 8) Remove the air cleaner element.
- 9) Remove the intercooler. <Ref. to IN(H4DOTC)-10, REMOVAL, Intercooler.>
- 10) Disconnect the accelerator cable.



- 11) Remove the coolant filler tank. <Ref. to CO(H4DOTC)-33, REMOVAL, Coolant Filler Tank.>

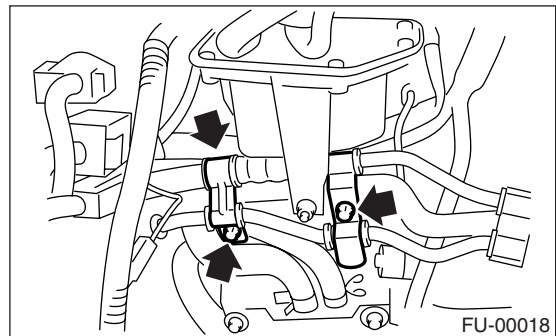
- 12) Remove the power steering pump.
 - (1) Remove the front side V-belt. <Ref. to ME(H4DOTC)-42, REMOVAL, V-belt.>
 - (2) Disconnect the power steering switch connector.



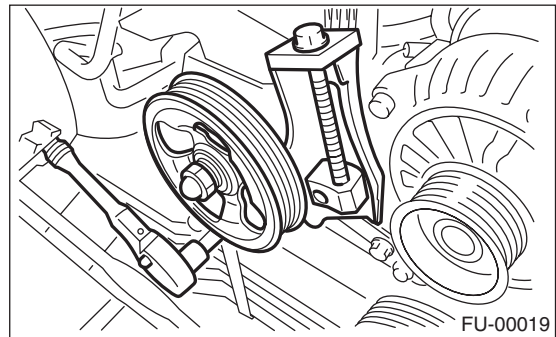
- (3) Remove the bolts which secure the power steering pipe brackets to the intake manifold.

NOTE:

Do not disconnect the power steering hose.



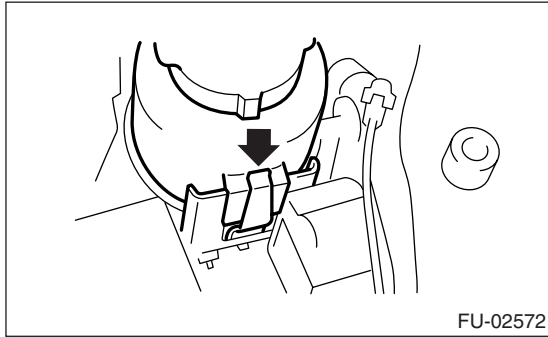
- (4) Remove the bolts which secure the power steering pump bracket.



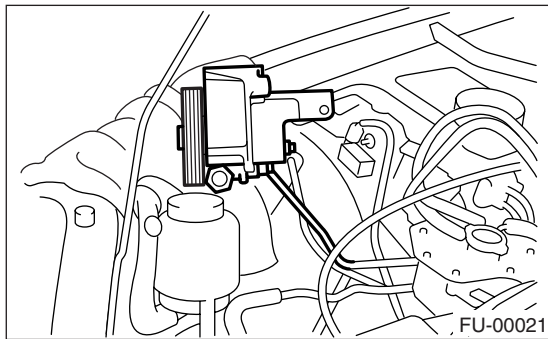
Intake Manifold

FUEL INJECTION (FUEL SYSTEMS)

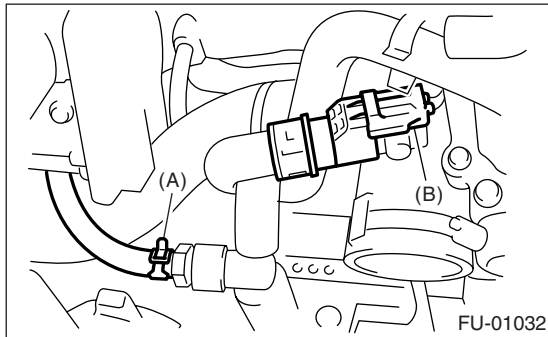
(5) Remove the power steering tank from the bracket by pulling it upward.



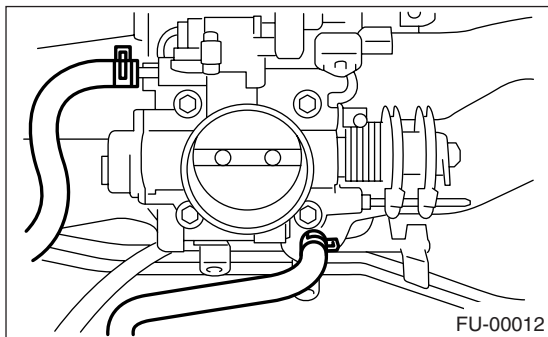
(6) Place the power steering pump on the right side wheel apron.



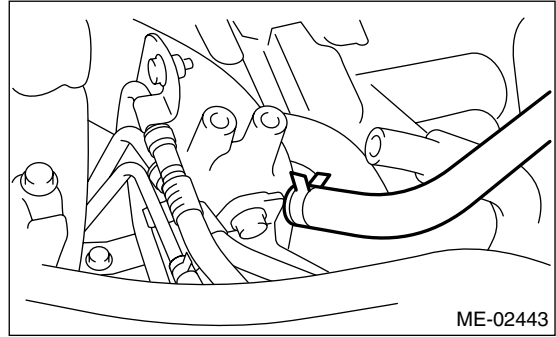
13) Disconnect the emission hose (A) and connector (B) from the PCV hose assembly.



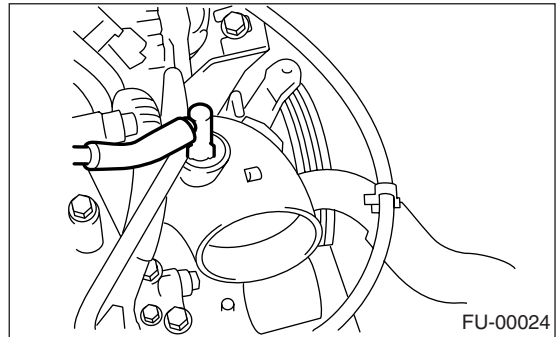
14) Disconnect the engine coolant hoses from the throttle body.



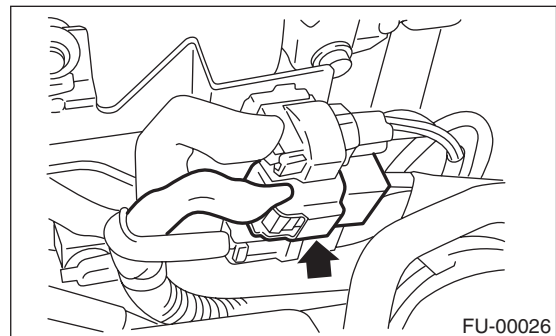
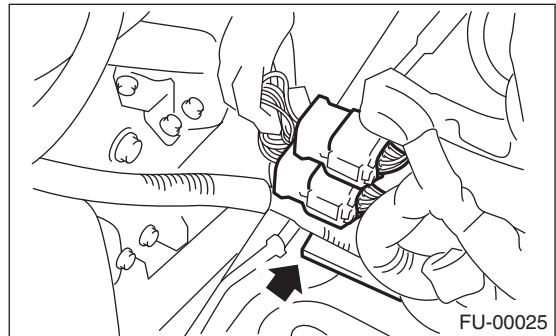
15) Disconnect the brake booster vacuum hose.



16) Disconnect the pressure hose from the intake duct.



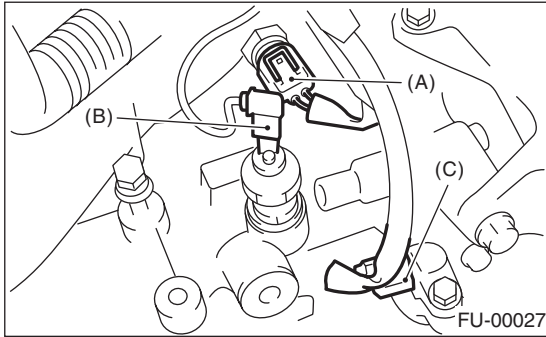
17) Disconnect the engine harness connectors from the bulkhead harness connectors.



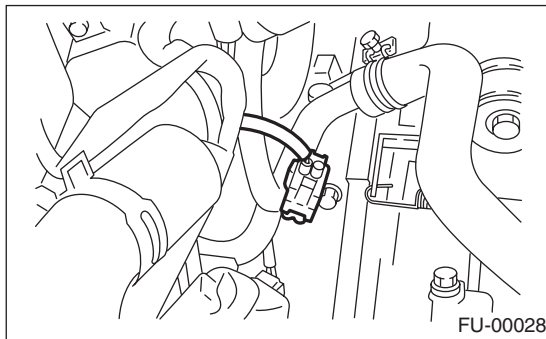
Intake Manifold

FUEL INJECTION (FUEL SYSTEMS)

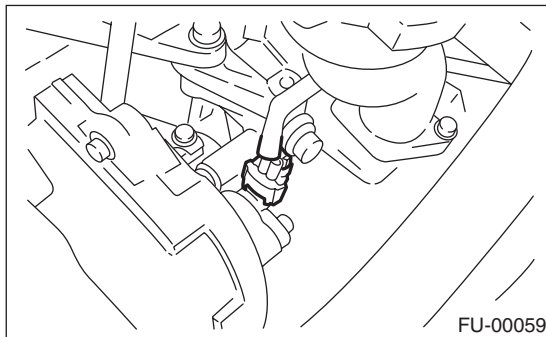
18) Disconnect the connectors from the engine coolant temperature sensor (A), oil pressure switch (B) and crankshaft position sensor (C).



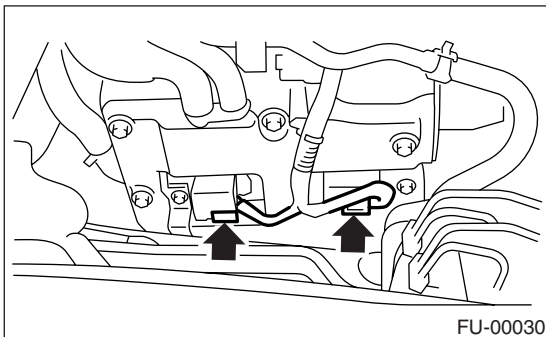
19) Disconnect the knock sensor connector.



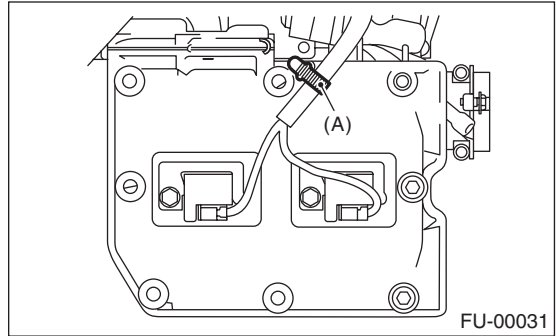
20) Disconnect the connector from the camshaft position sensor.



21) Disconnect the connector from the ignition coil.



22) Disconnect the engine harness fixed by clip (A) from the bracket.

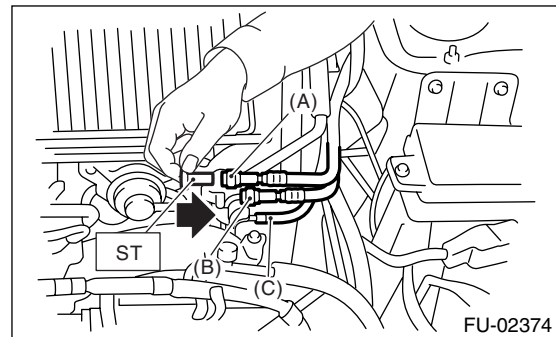


23) Using ST, disconnect fuel hoses from fuel pipes. <Ref. to FU(H4DOTC)-67, REMOVAL, Fuel Delivery, Return and Evaporation lines.>

CAUTION:

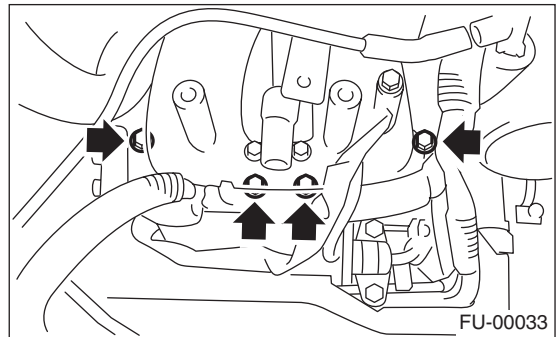
- Be careful not to spill fuel.
- Catch fuel from hoses using a container or cloth.

ST 42099AE000 CONNECTOR REMOVER



- (A) Fuel delivery hose
- (B) Return hose
- (C) Evaporation hose

24) Remove the bolts which secure the intake manifold to the cylinder heads.



25) Remove the intake manifold.

B: INSTALLATION

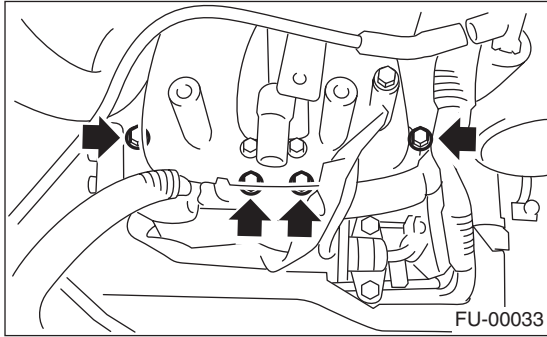
1) Install the intake manifold onto cylinder heads.

NOTE:

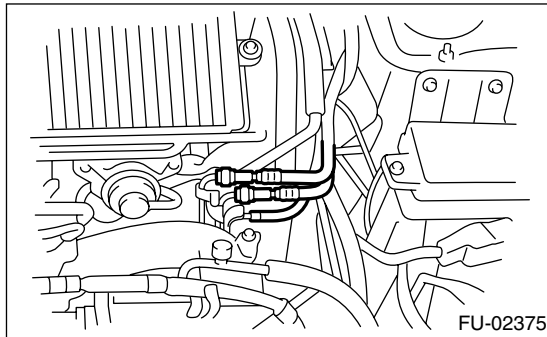
Always use new gaskets.

Tightening torque:

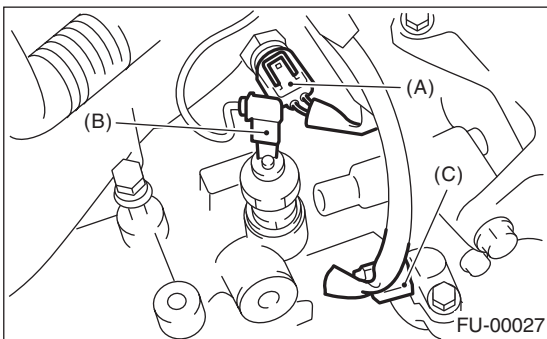
25 N·m (2.5 kgf-m, 18.1 ft-lb)



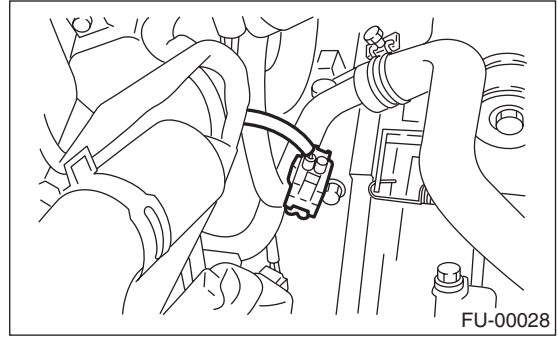
2) Connect the fuel delivery hose, return hose and evaporation hose.



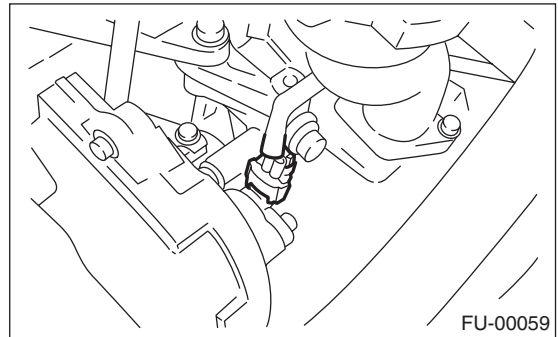
3) Connect the connector to the oil pressure switch (B), crankshaft position sensor (C) and engine coolant temperature sensor (A).



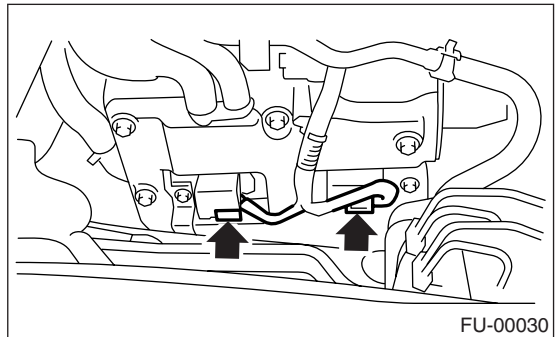
4) Connect the connector to the knock sensor.



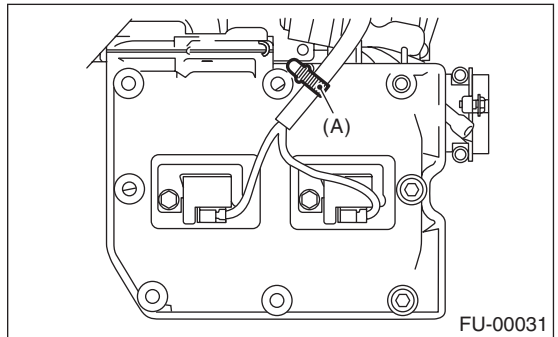
5) Connect the connector to the camshaft position sensor.



6) Connect the connector to the ignition coil.



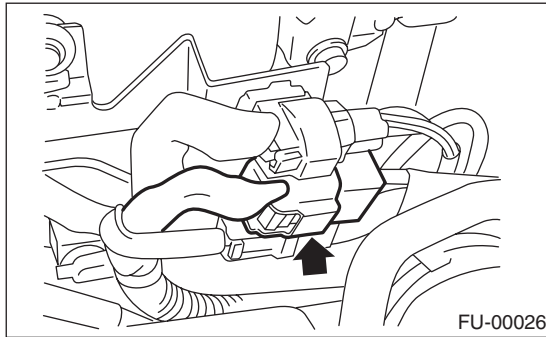
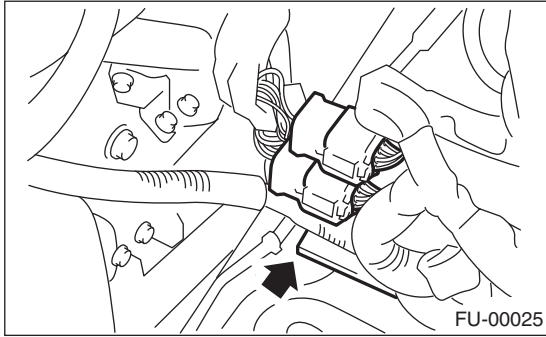
7) Connect the engine harness with clip (A) to the bracket.



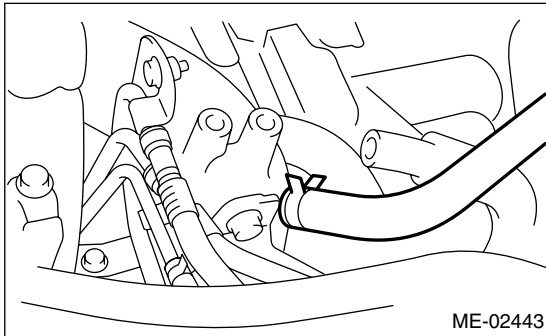
Intake Manifold

FUEL INJECTION (FUEL SYSTEMS)

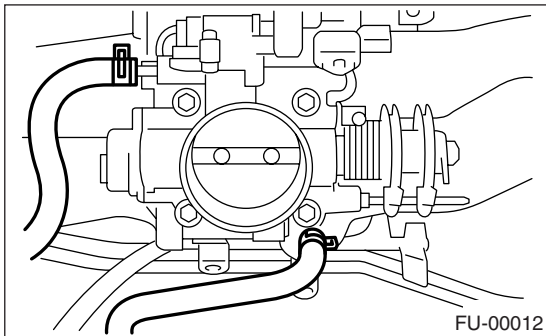
8) Connect the engine harness connector to the bulkhead harness connectors.



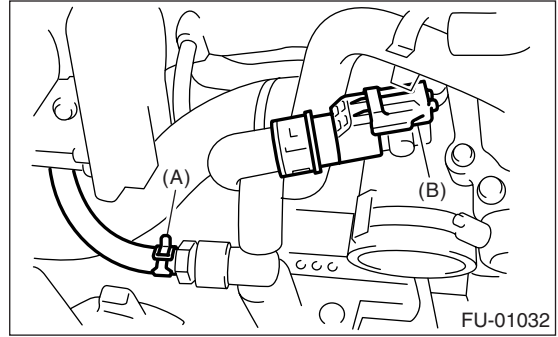
9) Connect the brake booster vacuum hose.



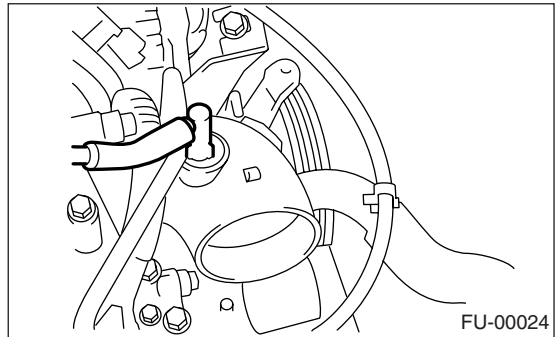
10) Connect the engine coolant hoses to the throttle body.



11) Connect the emission hose (A) and connector (B) to the PCV hose assembly.

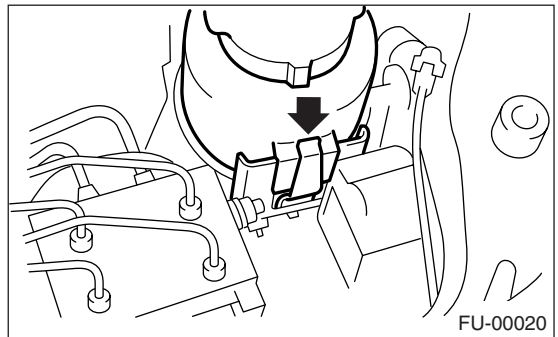


12) Connect the pressure hose to the intake duct.

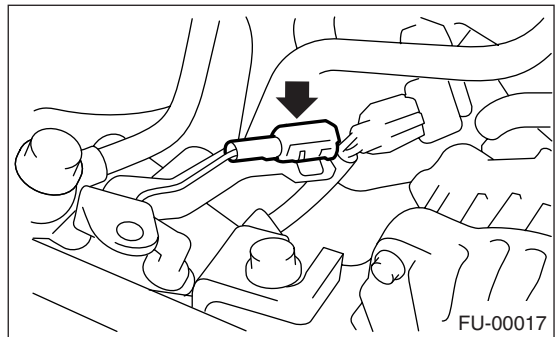


13) Install the power steering pump.

(1) Install the power steering tank on the bracket.



(2) Connect the connector to the power steering pump switch.



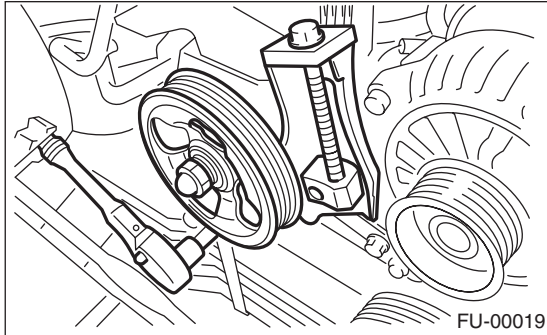
(3) Install the power steering pump, and tighten the bolts.

Intake Manifold

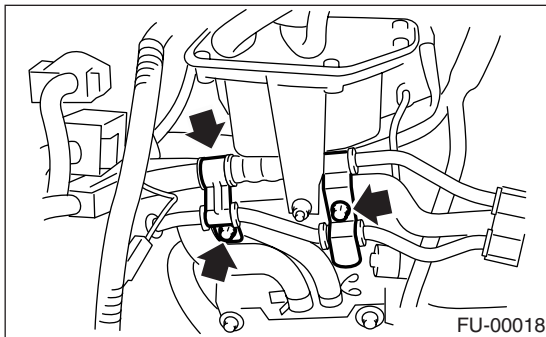
FUEL INJECTION (FUEL SYSTEMS)

Tightening torque:

22 N·m (2.2 kgf-m, 15.9 ft-lb)



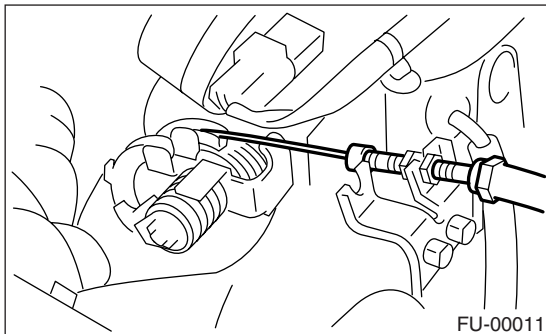
(4) Install the power steering pipe brackets on the intake manifold RH.



(5) Install the front side V-belt. <Ref. to ME(H4DOTC)-42, REMOVAL, V-belt.>

14) Install the coolant filler tank. <Ref. to CO(H4DOTC)-33, INSTALLATION, Coolant Filler Tank.>

15) Connect the accelerator cable.

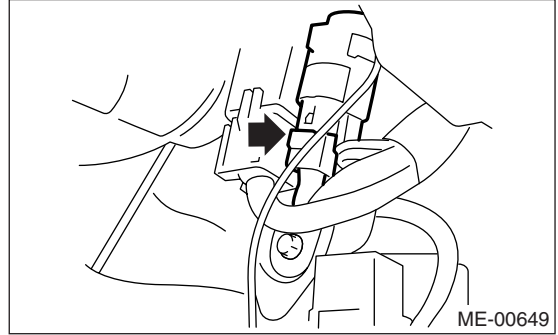


16) Install the intercooler. <Ref. to IN(H4DOTC)-10, INSTALLATION, Intercooler.>

17) Install the air cleaner element.

18) Install the air cleaner upper cover and air intake duct as a unit. <Ref. to IN(H4DOTC)-7, INSTALLATION, Air Cleaner Case.>

19) Connect the connector to the fuel pump relay.



20) Connect the battery ground cable to battery.

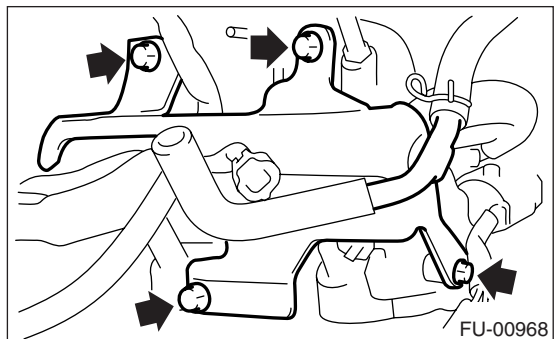
21) Lift up the vehicle.

22) Install the under cover.

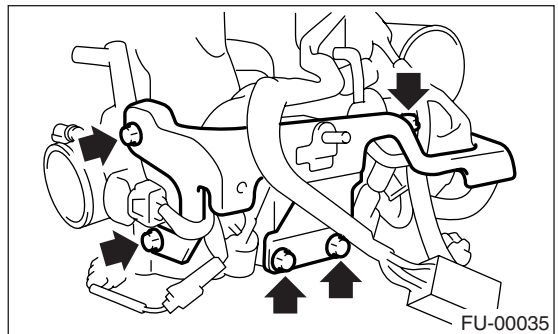
23) Fill the engine coolant. <Ref. to CO(H4SO)-12, FILLING OF ENGINE COOLANT, REPLACEMENT, Engine Coolant.>

C: DISASSEMBLY

1) Remove the fuel pipe protector LH.



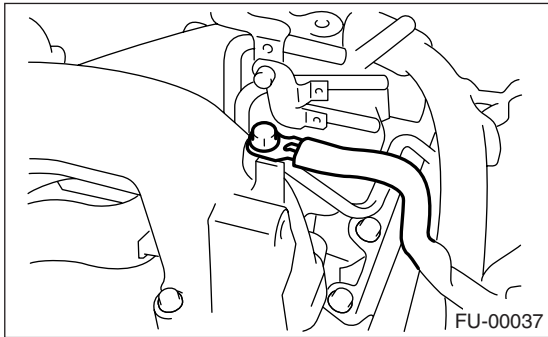
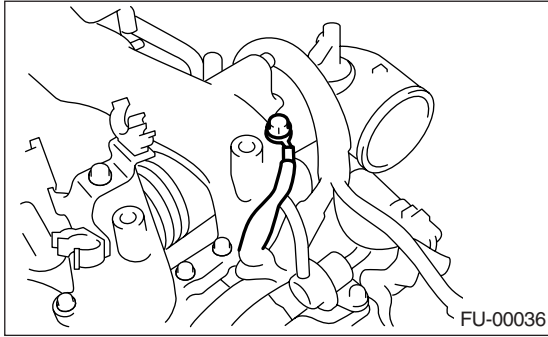
2) Remove the fuel pipe protector RH.



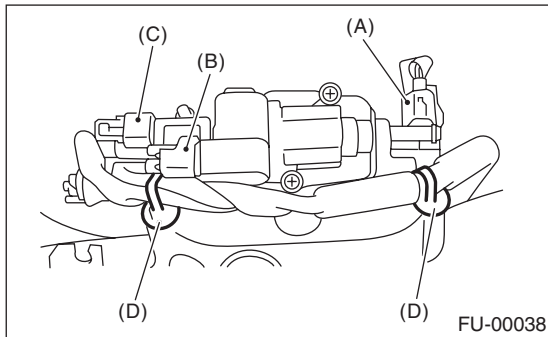
Intake Manifold

FUEL INJECTION (FUEL SYSTEMS)

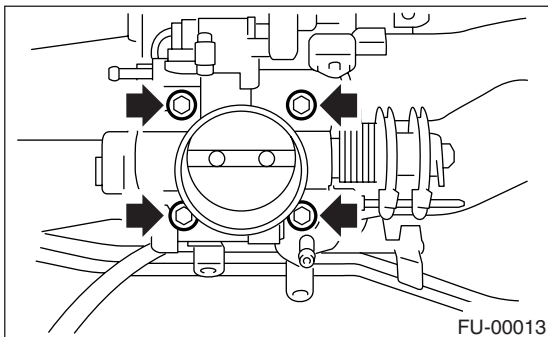
3) Remove the engine ground terminal from the intake manifold.



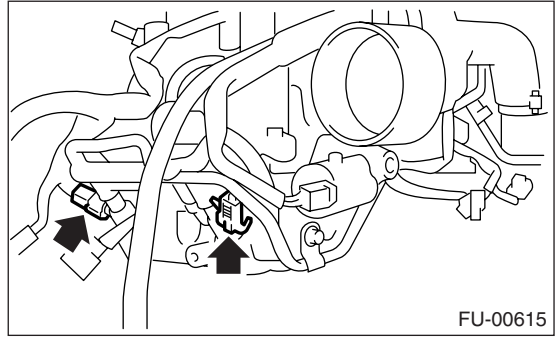
4) Disconnect the connector from the throttle position sensor (A), idle air control solenoid valve (B) and manifold absolute pressure sensor (C).
5) Disconnect the engine harness fixed by clip (D) from the intake manifold.



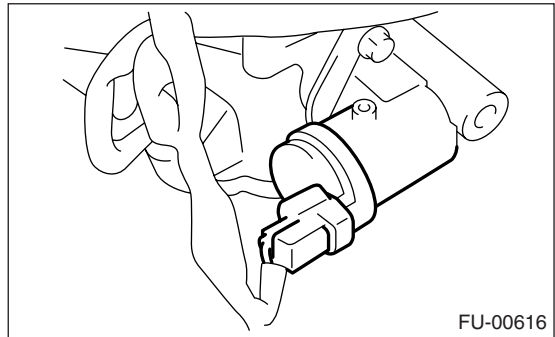
6) Remove the throttle body from the intake manifold.



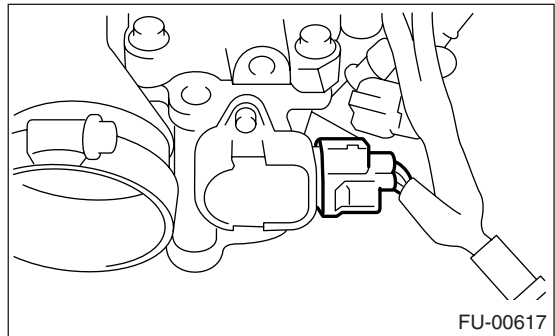
7) Disconnect the connector from the fuel injector.



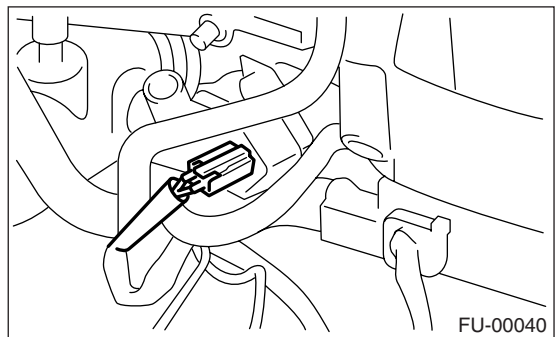
8) Disconnect the connector from the tumble generator valve actuator.



9) Disconnect the connector from the tumble generator valve sensor.



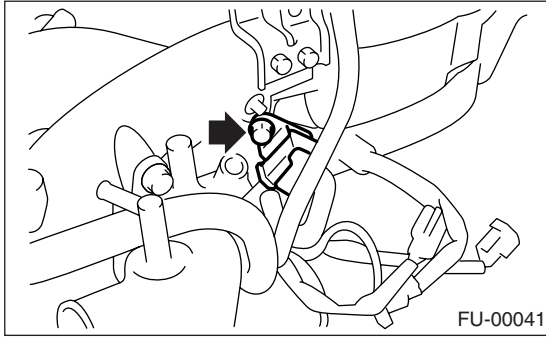
10) Disconnect the connector from the purge control solenoid valve.



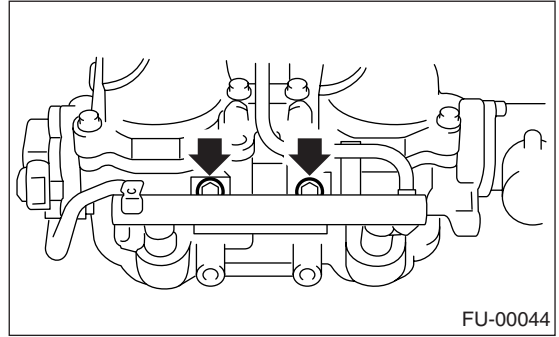
Intake Manifold

FUEL INJECTION (FUEL SYSTEMS)

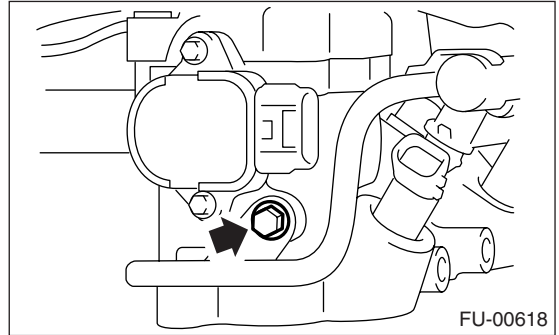
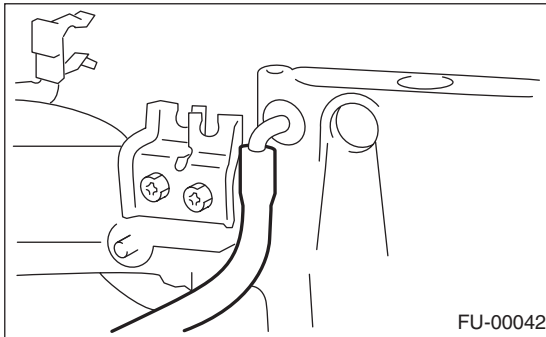
11) Remove the purge control solenoid valve.



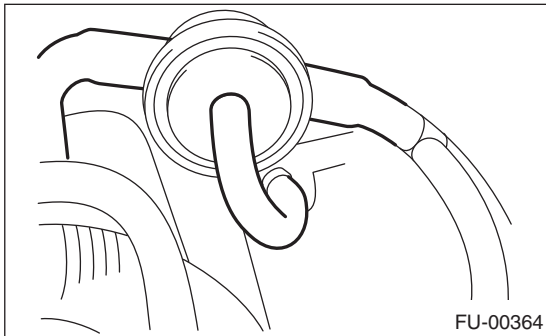
• LH side



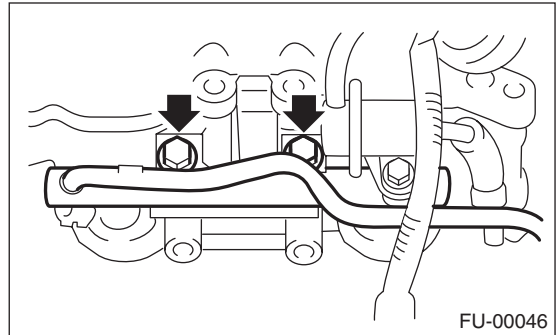
12) Disconnect the evaporation hose from the intake manifold.



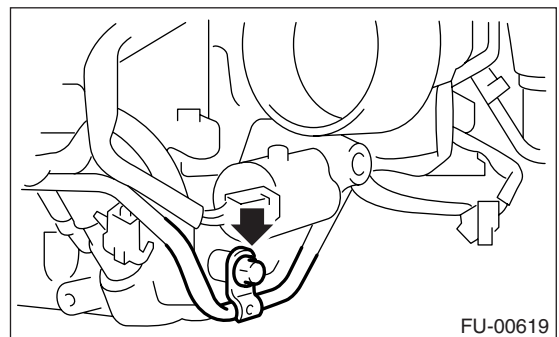
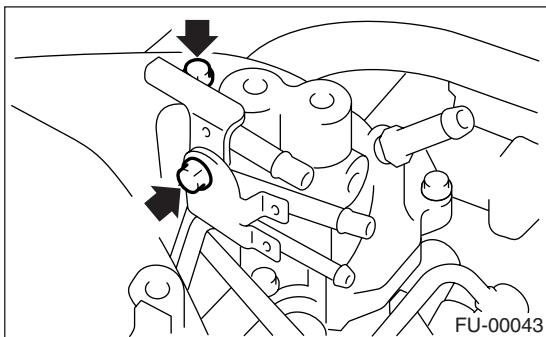
13) Disconnect the evaporation hoses from the purge valve.



• RH side



14) Remove the two bolts which hold the fuel pipes on the left side of intake manifold.

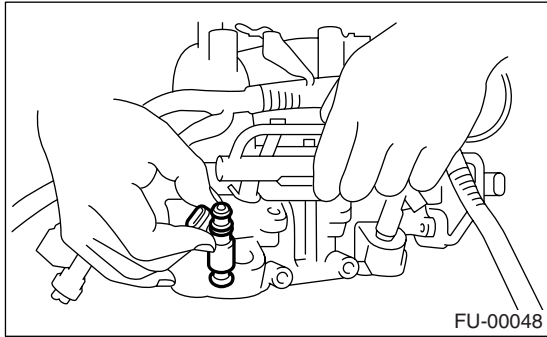


15) Remove the bolt which hold the fuel injector pipe onto intake manifold.

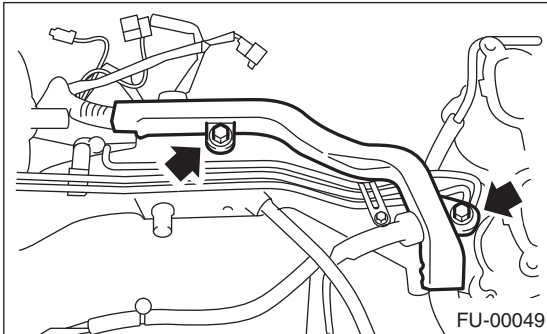
Intake Manifold

FUEL INJECTION (FUEL SYSTEMS)

16) Remove the fuel injector.

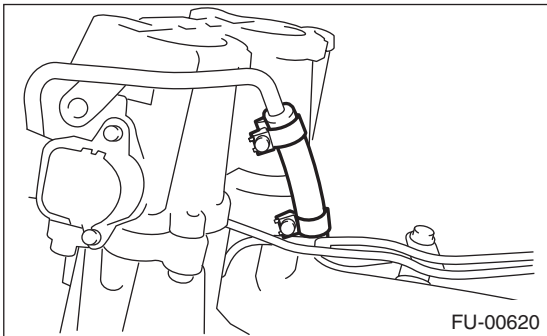


17) Remove the harness bracket which holds the engine harness onto intake manifold.



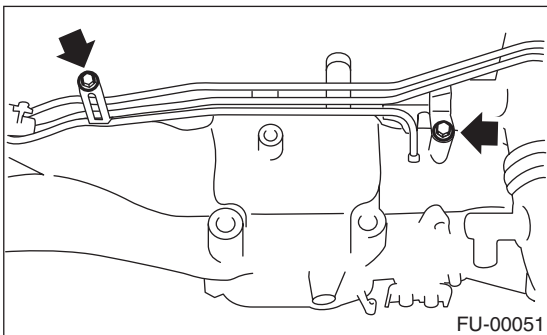
18) Remove the engine harness from the intake manifold.

19) Loosen the clamp which holds the front left side fuel hose to injector pipe and remove the pipe from clamp.



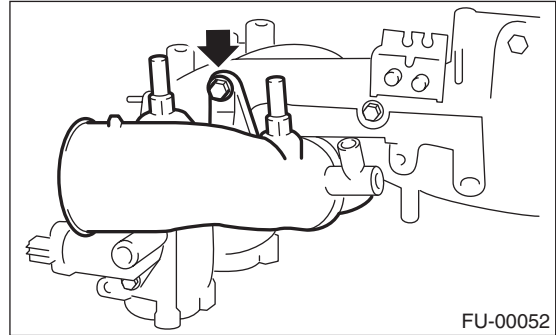
20) Remove the fuel injector pipe LH.

21) Remove the bolts which install the fuel pipe on intake manifold.

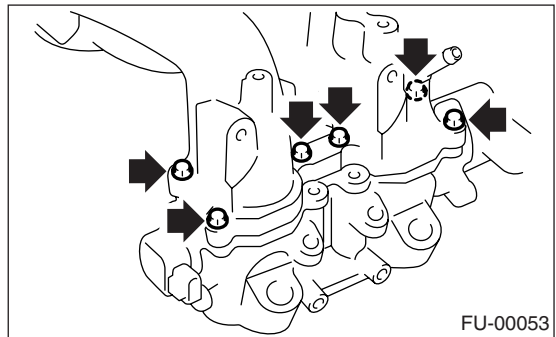


22) Remove the fuel pipe assembly and pressure regulator, from the intake manifold.

23) Remove the intake duct from the intake manifold.



24) Remove the tumble generator valve assembly from the intake manifold.



D: ASSEMBLY

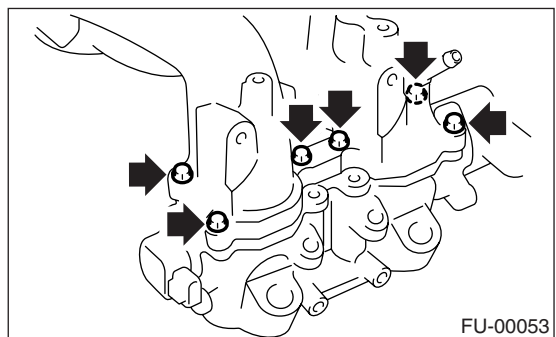
NOTE:

Replace the gasket with a new one.

1) Install the tumble generator valve assembly to the intake manifold.

Tightening torque:

8.25 N·m (0.84 kgf·m, 6.1 ft·lb)



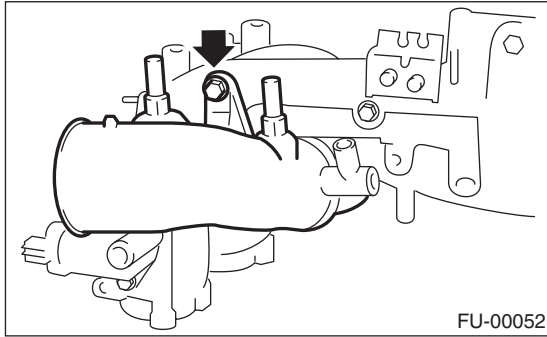
Intake Manifold

FUEL INJECTION (FUEL SYSTEMS)

2) Install the air intake duct to the intake manifold.

Tightening torque:

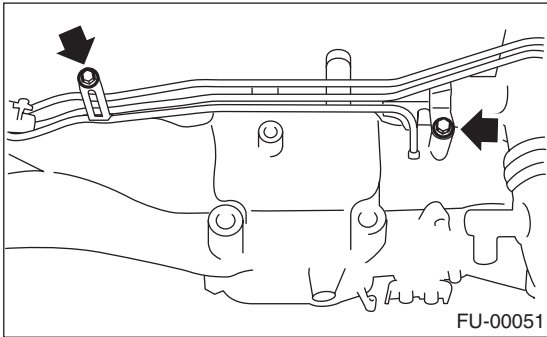
19 N·m (1.94 kgf·m, 13.7 ft·lb)



3) Install the fuel pipe assembly and pressure regulator to the intake manifold.

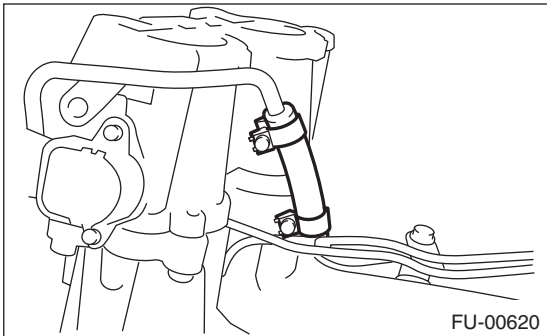
Tightening torque:

4.9 N·m (0.5 kgf·m, 3.6 ft·lb)



4) Install the fuel injector pipe LH.

5) Connect the left side fuel hose to injector pipe, and tighten the clamp screw.

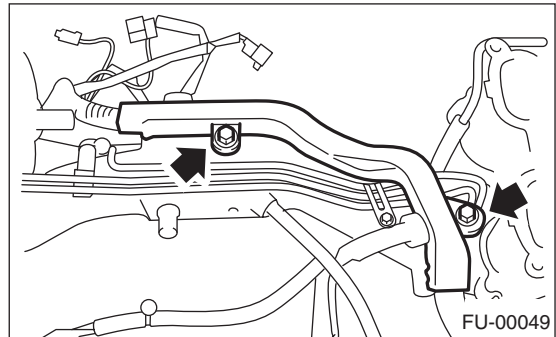


6) Install the engine harness to the intake manifold.

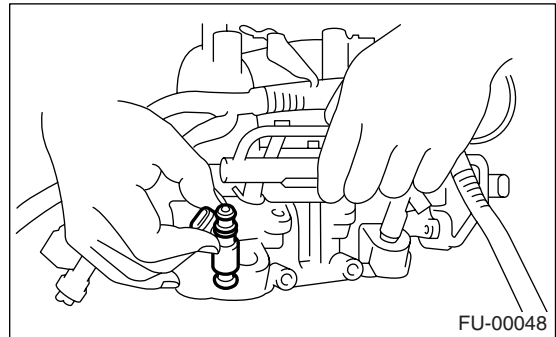
7) Install the harness bracket which holds the engine harness onto intake manifold.

Tightening torque:

19 N·m (1.94 kgf·m, 13.7 ft·lb)



8) Install the fuel injector.

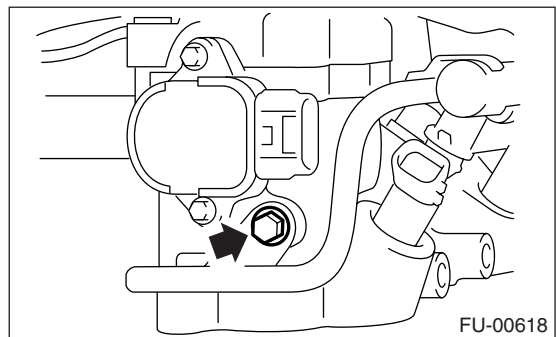
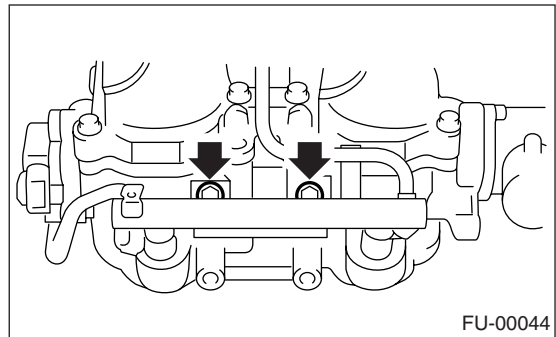


9) Tighten the bolts which install the fuel injector pipe onto intake manifold.

Tightening torque:

19 N·m (1.94 kgf·m, 13.7 ft·lb)

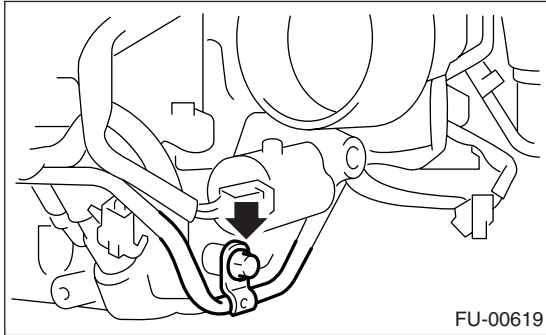
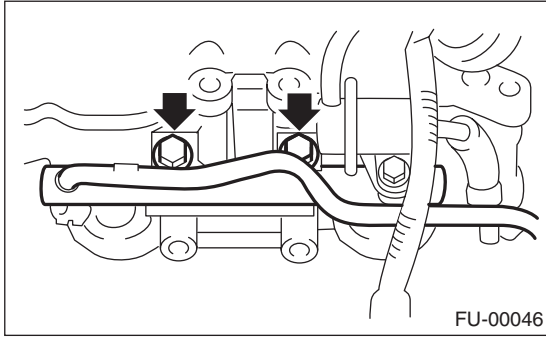
- LH side



Intake Manifold

FUEL INJECTION (FUEL SYSTEMS)

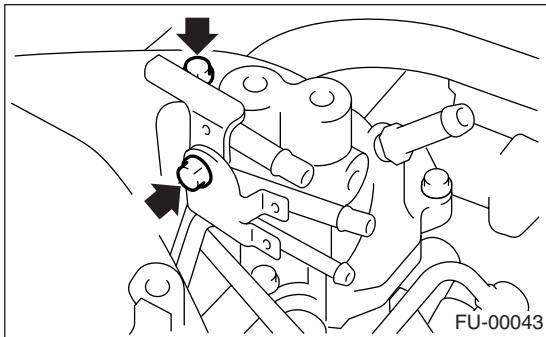
- RH side



10) Tighten the two bolts which install the fuel pipes on the left side of intake manifold.

Tightening torque:

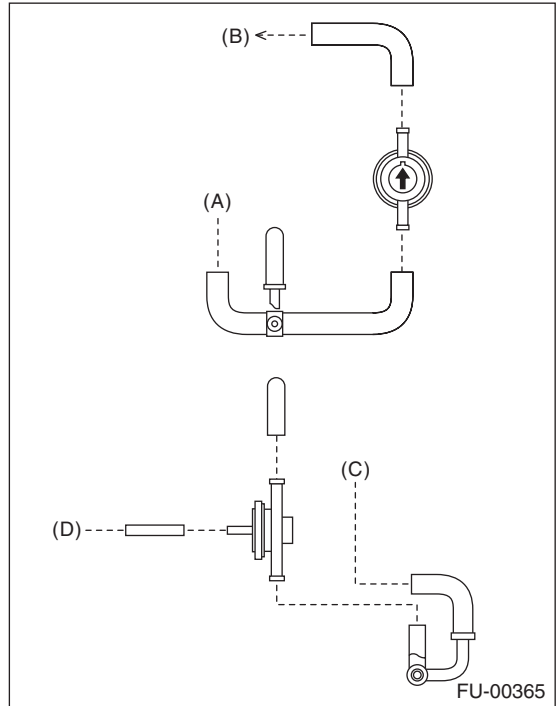
4.9 N·m (0.5 kgf-m, 3.6 ft-lb)



11) Connect the evaporation hoses to the purge valve.

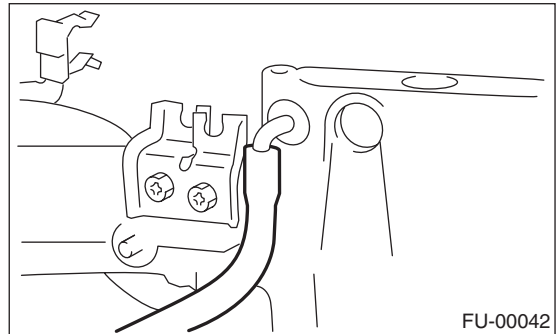
NOTE:

Connect the evaporation hoses as shown in the figure.



- (A) To fuel pipe ASSY
- (B) To intake duct
- (C) To purge control solenoid valve
- (D) To intake manifold

12) Connect the evaporation hose to the intake manifold.



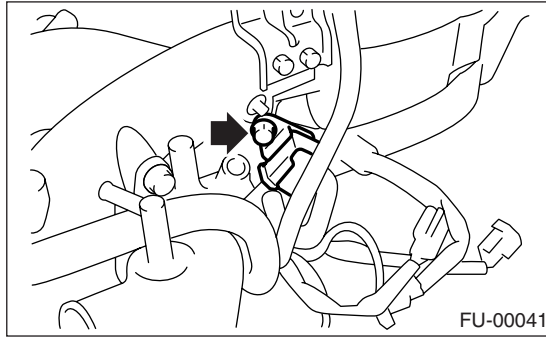
Intake Manifold

FUEL INJECTION (FUEL SYSTEMS)

13) Install the purge control solenoid valve.

Tightening torque:

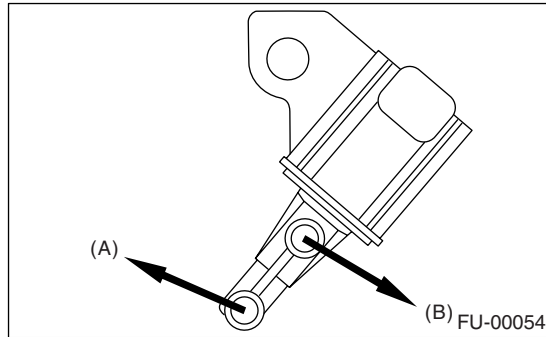
16 N·m (1.6 kgf·m, 11.8 ft·lb)



14) Connect the hoses to the purge control solenoid valve.

NOTE:

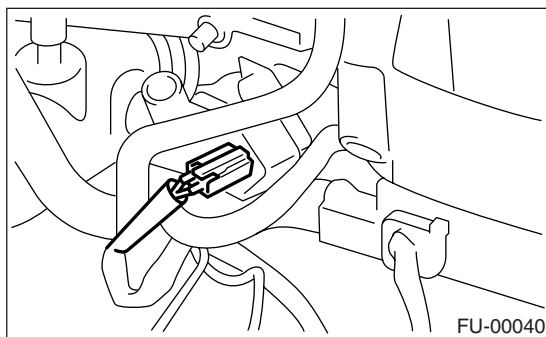
Connect the evaporation hoses as shown in the figure.



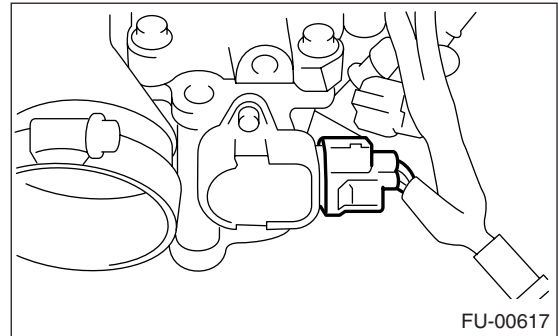
(A) To intake manifold

(B) To purge valve

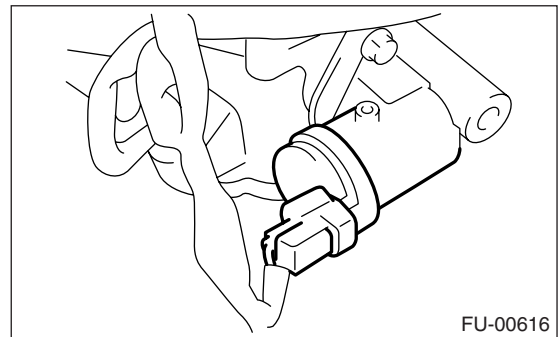
15) Connect the connector to the purge control solenoid valve.



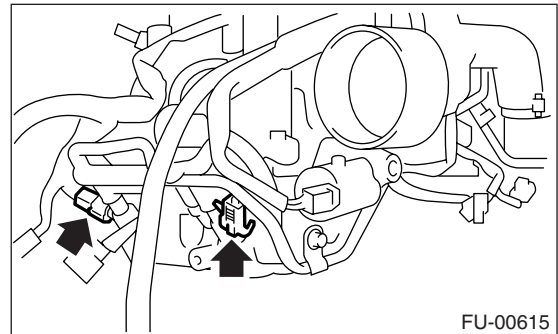
16) Connect the connector to the tumble generator valve sensor.



17) Connect the connector to the tumble generator valve actuator.



18) Connect the connector to the fuel injector.



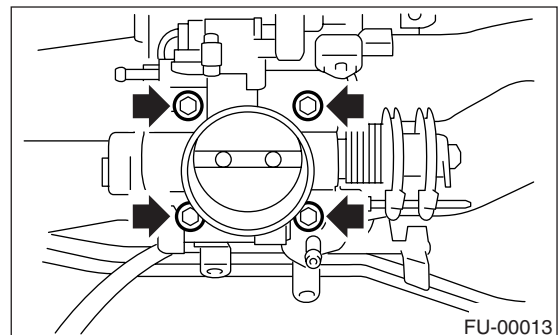
19) Install the throttle body to the intake manifold.

NOTE:

Replace the gasket with a new one.

Tightening torque:

22 N·m (2.2 kgf·m, 15.9 ft·lb)

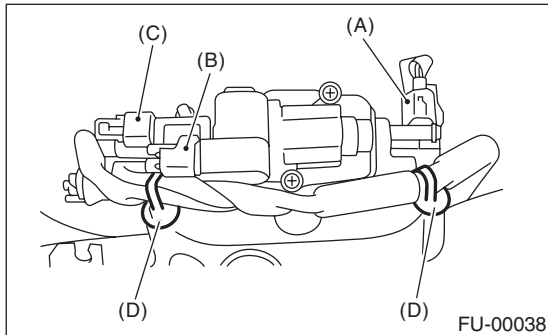


Intake Manifold

FUEL INJECTION (FUEL SYSTEMS)

20) Connect the connector to the throttle position sensor (A), idle air control solenoid valve (B) and manifold absolute pressure sensor (C).

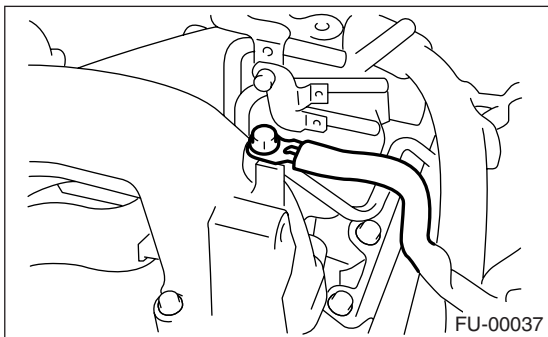
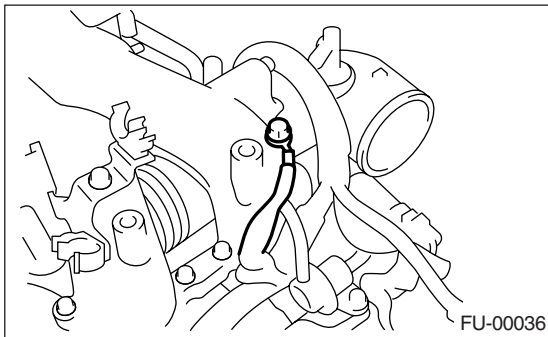
21) Connect the engine harness to the intake manifold using clips (D).



22) Install the engine ground terminal to the intake manifold.

Tightening torque:

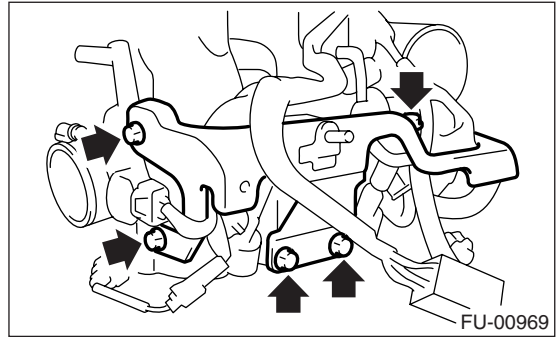
19 N·m (1.94 kgf-m, 13.7 ft-lb)



23) Install the fuel pipe protector RH.

Tightening torque:

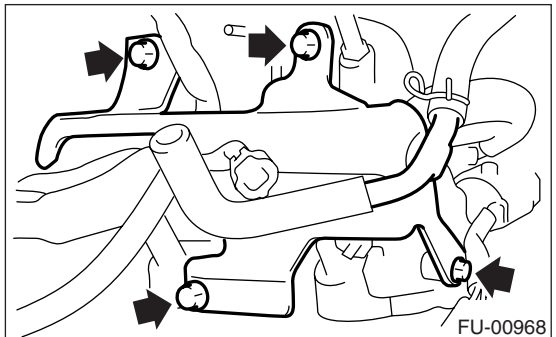
19 N·m (1.94 kgf-m, 13.7 ft-lb)



24) Install the fuel pipe protector LH.

Tightening torque:

19 N·m (1.94 kgf-m, 13.7 ft-lb)



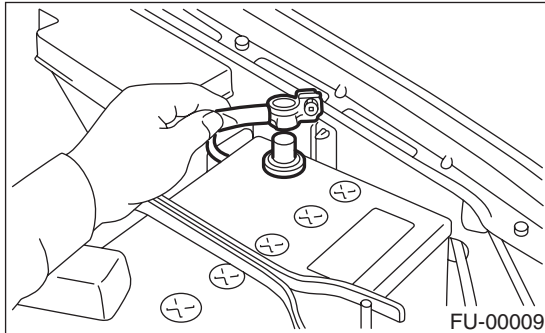
E: INSPECTION

Make sure the fuel pipe and fuel hoses are not cracked and the connections are tightened.

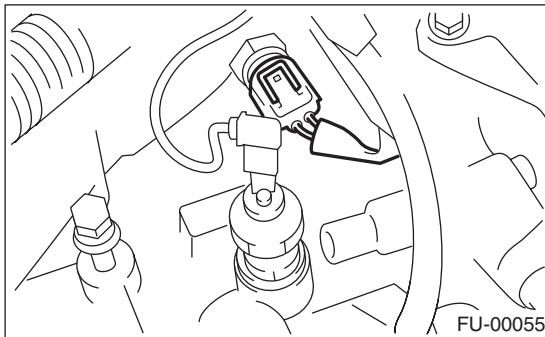
4. Engine Coolant Temperature Sensor

A: REMOVAL

- 1) Disconnect the ground cable from battery.



- 2) Remove the generator. <Ref. to SC(H4SO)-15, REMOVAL, Generator.>
- 3) Drain the engine coolant. <Ref. to CO(H4DOTC)-17, DRAINING OF ENGINE COOLANT, REPLACEMENT, Engine Coolant.>
- 4) Disconnect the connector from the engine coolant temperature sensor.



- 5) Remove the engine coolant temperature sensor.

B: INSTALLATION

Install in the reverse order of removal.

Tightening torque:

18 N·m (1.8 kgf·m, 13.3 ft·lb)

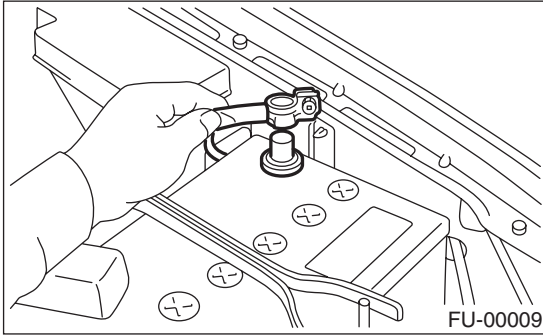
Crankshaft Position Sensor

FUEL INJECTION (FUEL SYSTEMS)

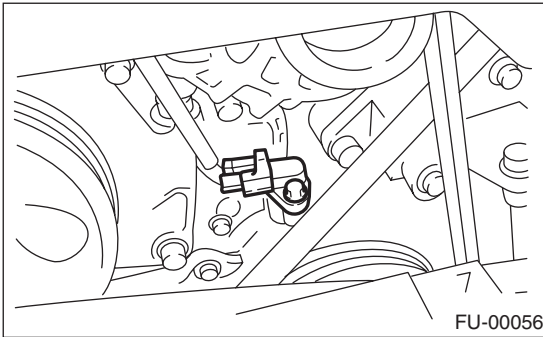
5. Crankshaft Position Sensor

A: REMOVAL

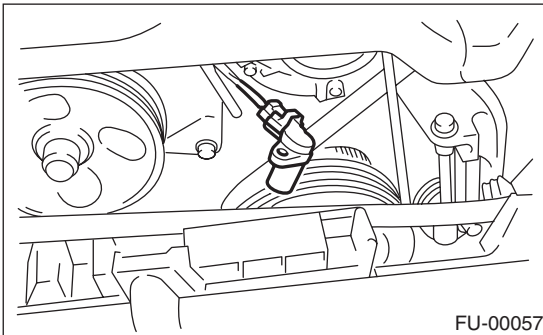
1) Disconnect the ground cable from battery.



2) Remove the bolt which installs the crankshaft position sensor to cylinder block.



3) Remove the crankshaft position sensor, and disconnect the connector from it.

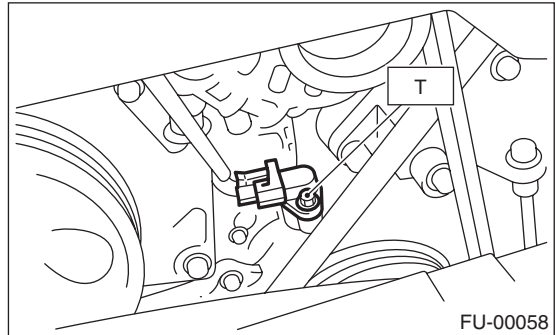


B: INSTALLATION

Install in the reverse order of removal.

Tightening torque:

T: 6.4 N·m (0.65 kgf-m, 4.7 ft-lb)



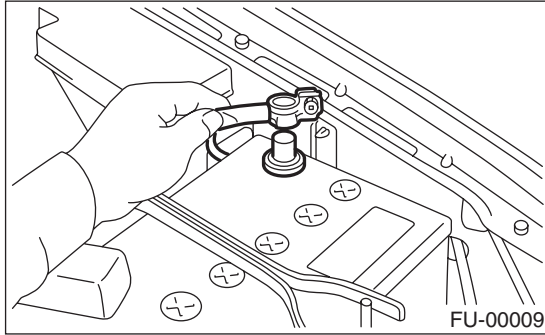
Camshaft Position Sensor

FUEL INJECTION (FUEL SYSTEMS)

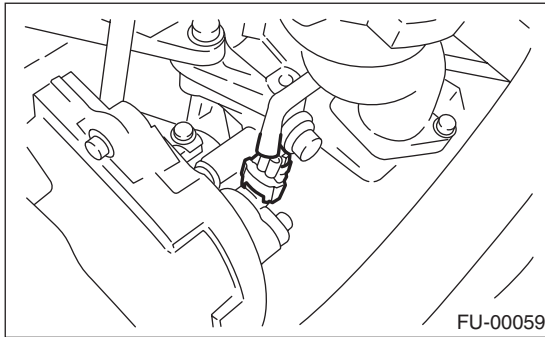
6. Camshaft Position Sensor

A: REMOVAL

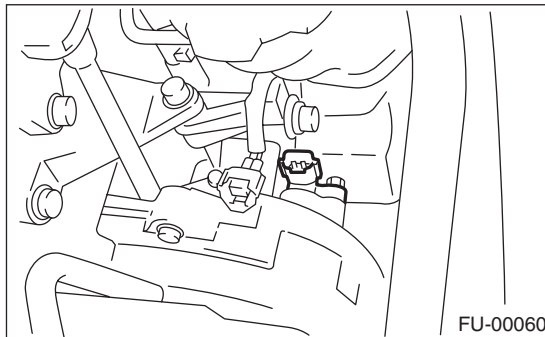
1) Disconnect the ground cable from battery.



2) Disconnect the connector from the camshaft position sensor.



3) Remove the camshaft position sensor from the camshaft support LH.

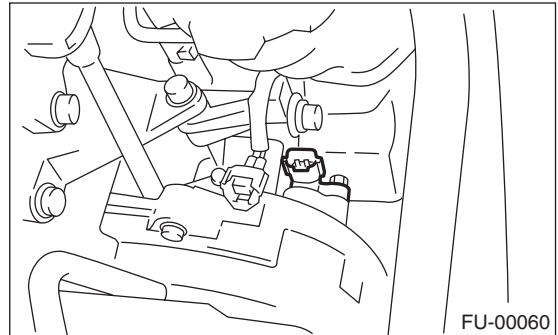


B: INSTALLATION

Install in the reverse order of removal.

Tightening torque:

6.4 N·m (0.65 kgf-m, 4.7 ft-lb)



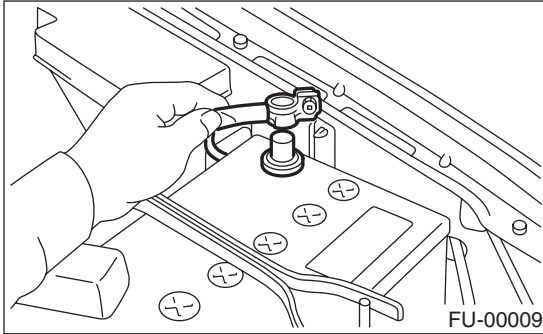
Knock Sensor

FUEL INJECTION (FUEL SYSTEMS)

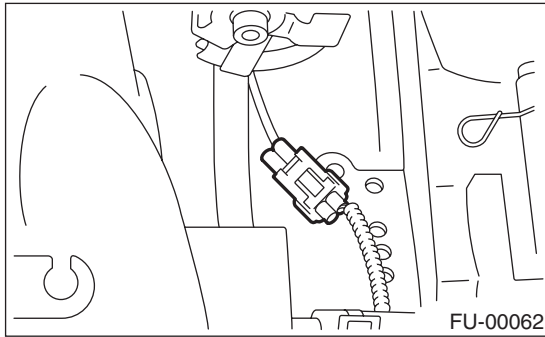
7. Knock Sensor

A: REMOVAL

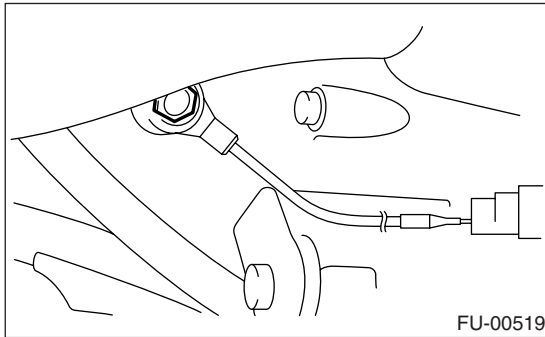
- 1) Disconnect the ground cable from battery.



- 2) Remove the intercooler. <Ref. to IN(H4DOTC)-10, REMOVAL, Intercooler.>
- 3) Disconnect the knock sensor connector.



- 4) Remove the knock sensor from the cylinder block.



B: INSTALLATION

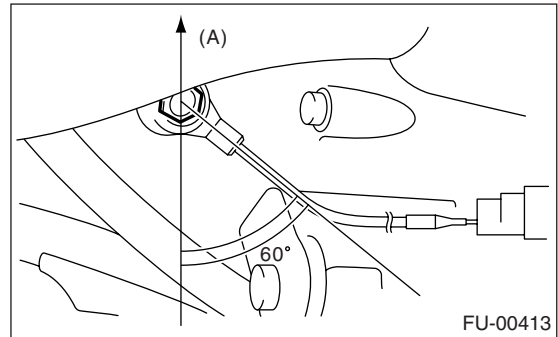
- 1) Install the knock sensor to the cylinder block.

Tightening torque:

24 N·m (2.4 kgf-m, 17.4 ft-lb)

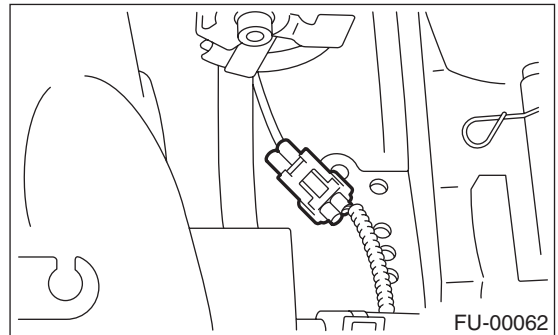
NOTE:

Extraction area of the knock sensor cord must be positioned at a 60° angle relative to the engine rear.

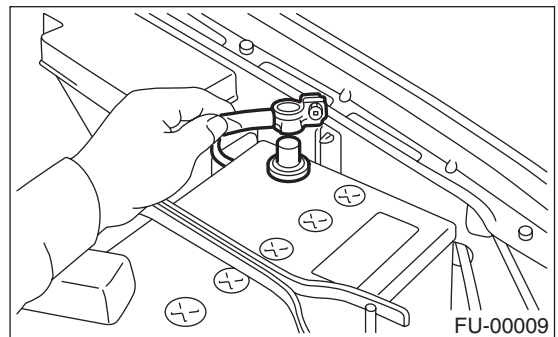


(A) Front side

- 2) Connect the knock sensor connector.



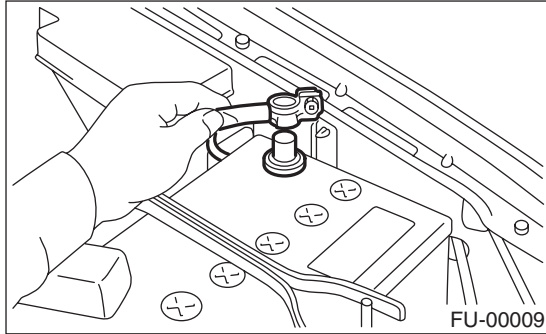
- 3) Install the intercooler. <Ref. to IN(H4DOTC)-10, INSTALLATION, Intercooler.>
- 4) Connect the battery ground cable to battery.



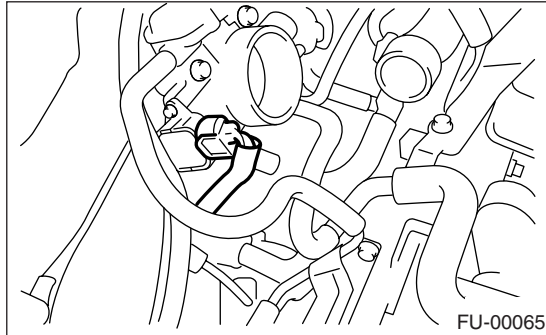
8. Throttle Position Sensor

A: REMOVAL

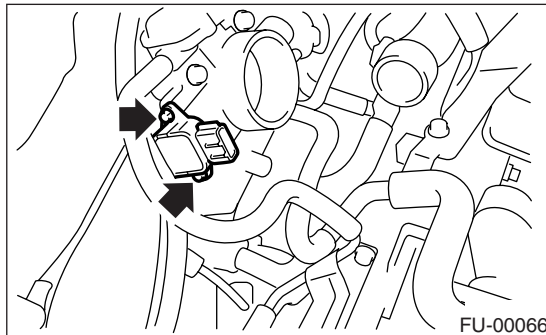
- 1) Disconnect the ground cable from battery.



- 2) Remove the intercooler. <Ref. to IN(H4DOTC)-10, REMOVAL, Intercooler.>
- 3) Disconnect the connector from the throttle position sensor.



- 4) Remove the throttle position sensor holding screws, and remove the throttle position sensor.

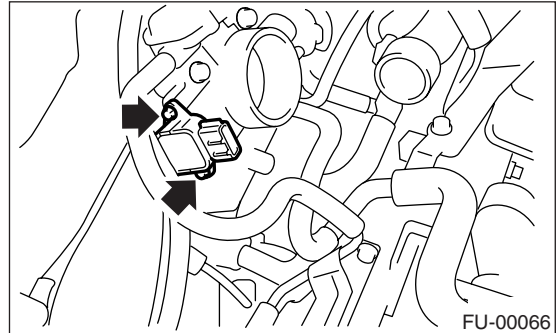


B: INSTALLATION

Install in the reverse order of removal.

Tightening torque:

1.6 N·m (0.16 kgf-m, 1.2 ft-lb)



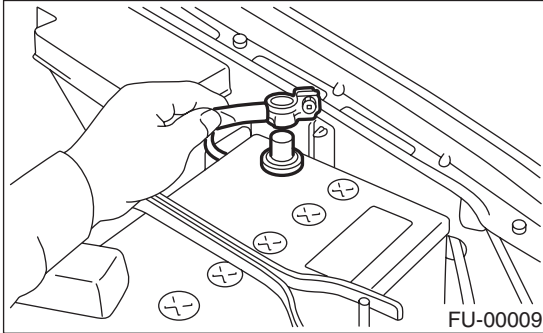
Mass Air Flow and Intake Air Temperature Sensor

FUEL INJECTION (FUEL SYSTEMS)

9. Mass Air Flow and Intake Air Temperature Sensor

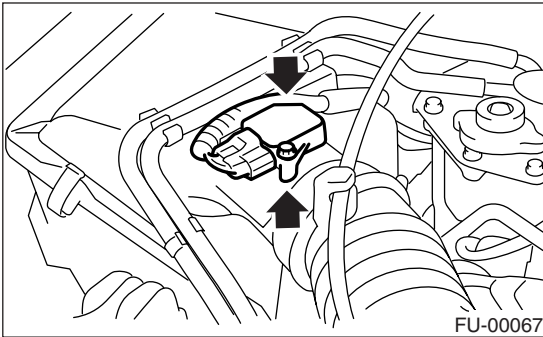
A: REMOVAL

1) Disconnect the ground cable from battery.



2) Disconnect the connector from mass air flow and intake air temperature sensor.

3) Remove the mass air flow and intake air temperature sensor.



B: INSTALLATION

Install in the reverse order of removal.

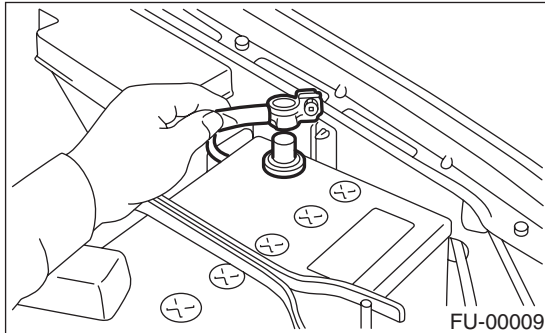
Tightening torque:

1.7 N·m (0.17 kgf-m, 1.3 ft-lb)

10. Manifold Absolute Pressure Sensor

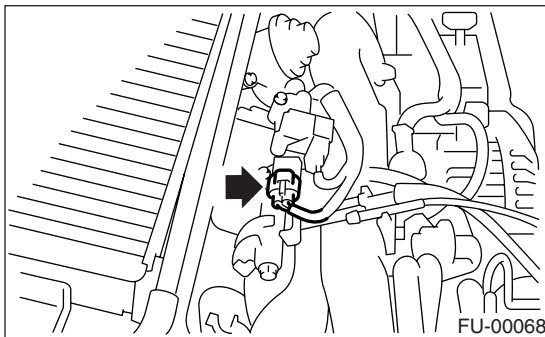
A: REMOVAL

1) Disconnect the ground cable from battery.



2) Remove the idle air control solenoid valve. <Ref. to FU(H4DOTC)-34, REMOVAL, Idle Air Control Solenoid Valve.>

3) Disconnect the connectors from manifold absolute pressure sensor.



4) Remove the manifold absolute pressure sensor from the throttle body.

B: INSTALLATION

Install in the reverse order of removal.

NOTE:

Replace the O-rings for the manifold absolute pressure sensor with new ones.

Tightening torque:

1.6 N·m (0.16 kgf-m, 1.2 ft-lb)

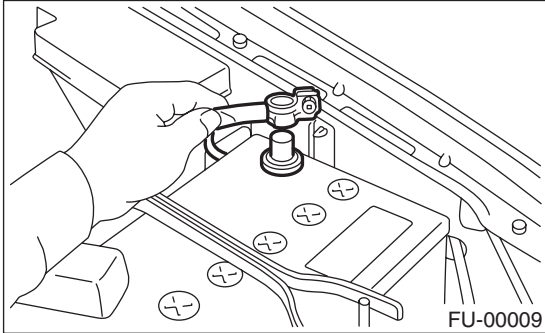
Idle Air Control Solenoid Valve

FUEL INJECTION (FUEL SYSTEMS)

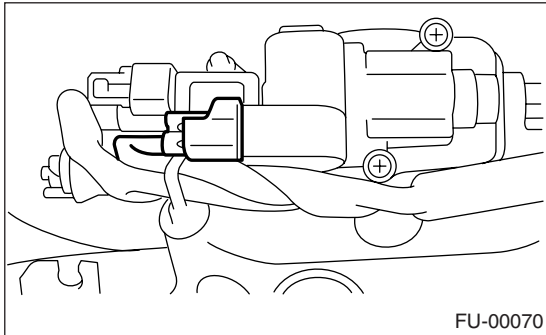
11. Idle Air Control Solenoid Valve

A: REMOVAL

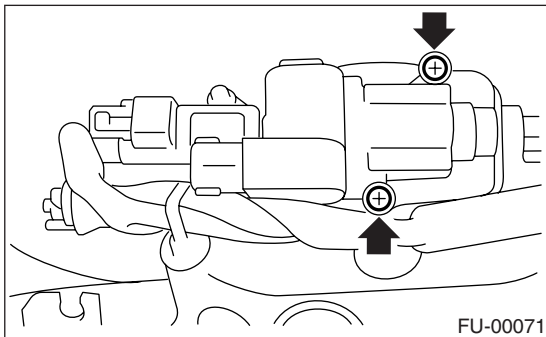
1) Disconnect the ground cable from battery.



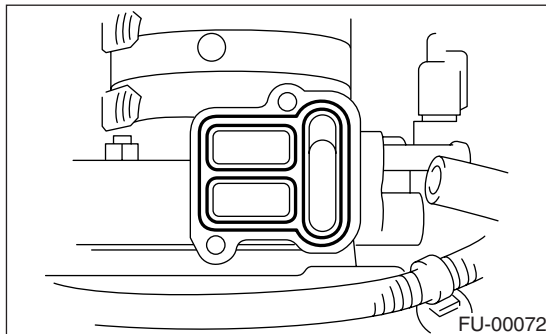
2) Disconnect the connector from the idle air control solenoid valve.



3) Remove the idle air control solenoid valve from the throttle body.



4) Remove the gasket from the throttle body.



B: INSTALLATION

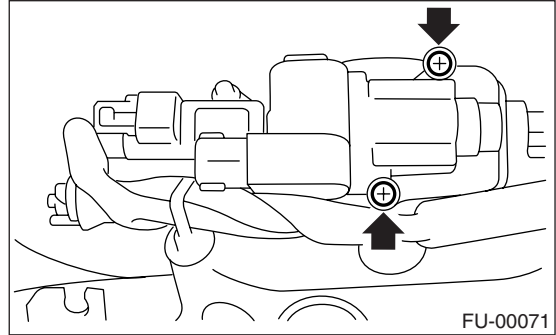
Install in the reverse order of removal.

NOTE:

Replace the gasket with a new one.

Tightening torque:

2.8 N·m (0.29 kgf·m, 2.1 ft·lb)

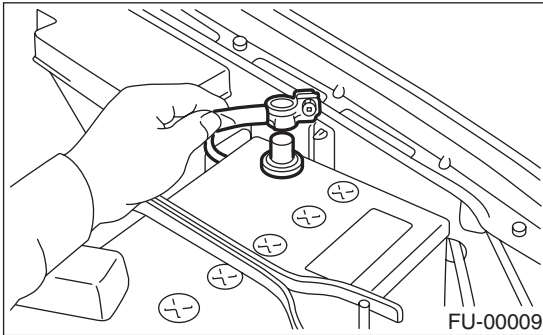


12. Fuel Injector

A: REMOVAL

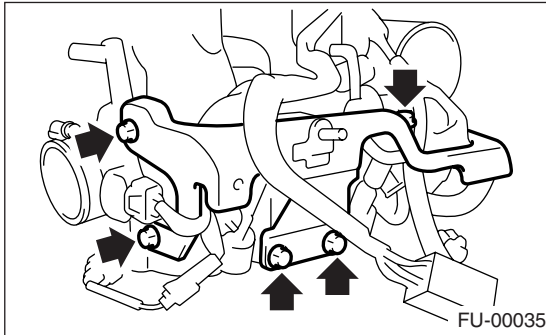
1. RH SIDE

- 1) Release the fuel pressure. <Ref. to FU(H4DOTC)-52, RELEASING OF FUEL PRESSURE, PROCEDURE, Fuel.>
- 2) Open the fuel filler flap lid and remove the fuel filler cap.
- 3) Disconnect the ground cable from battery.

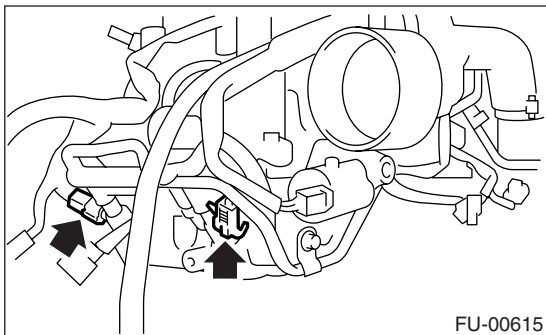


- 4) Remove the intake manifold. <Ref. to FU(H4DOTC)-14, REMOVAL, Intake Manifold.>

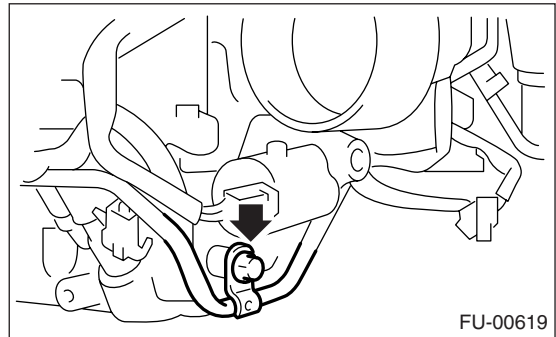
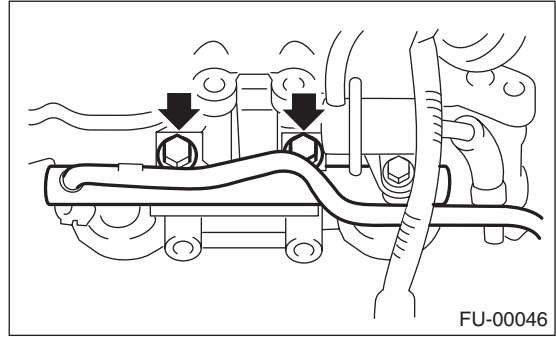
- 5) Remove the fuel pipe protector RH.



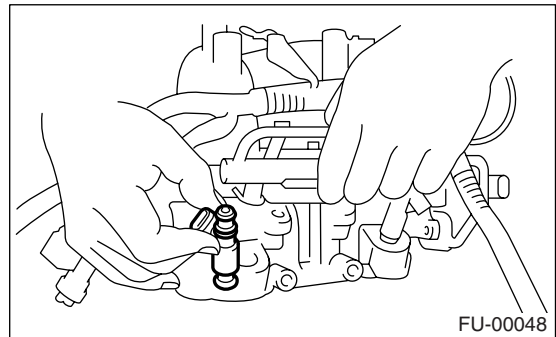
- 6) Disconnect the connector from the fuel injector.



- 7) Remove the bolts which hold the injector pipe to intake manifold.

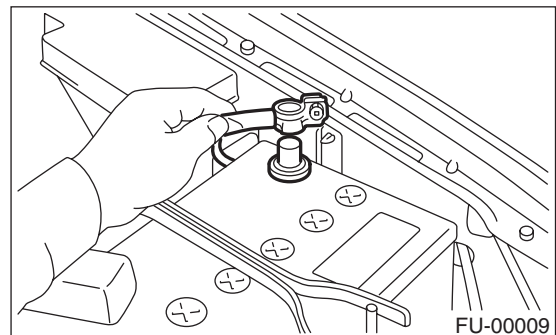


- 8) Remove the fuel injector while lifting up the fuel injector pipe.



2. LH SIDE

- 1) Release the fuel pressure. <Ref. to FU(H4DOTC)-52, RELEASING OF FUEL PRESSURE, PROCEDURE, Fuel.>
- 2) Open the fuel filler flap lid and remove the fuel filler cap.
- 3) Disconnect the ground cable from battery.

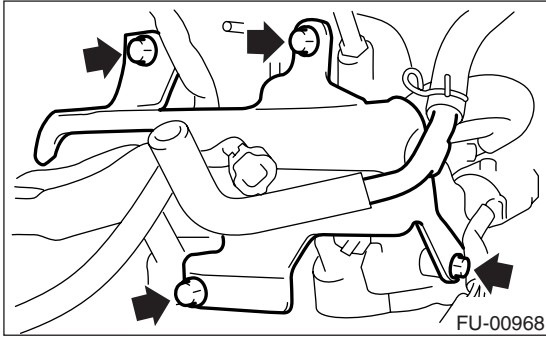


Fuel Injector

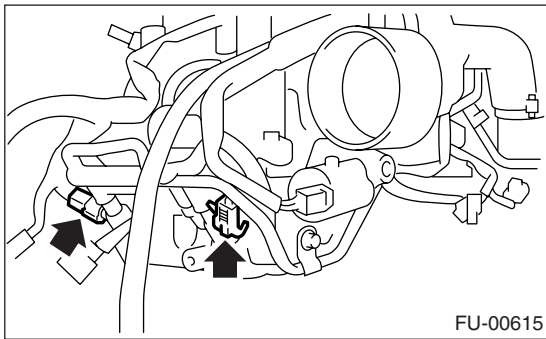
FUEL INJECTION (FUEL SYSTEMS)

4) Remove the intake manifold. <Ref. to FU(H4DOTC)-14, REMOVAL, Intake Manifold.>

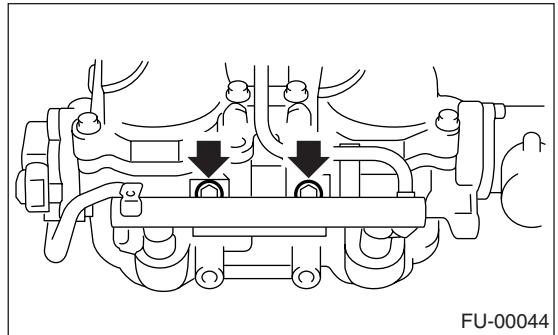
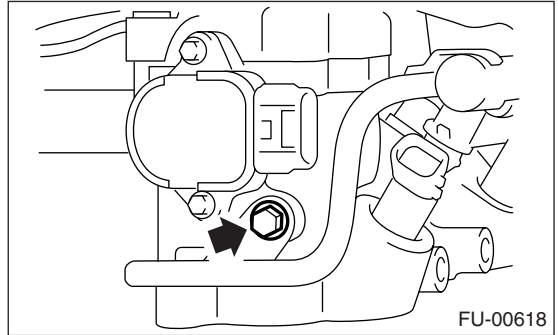
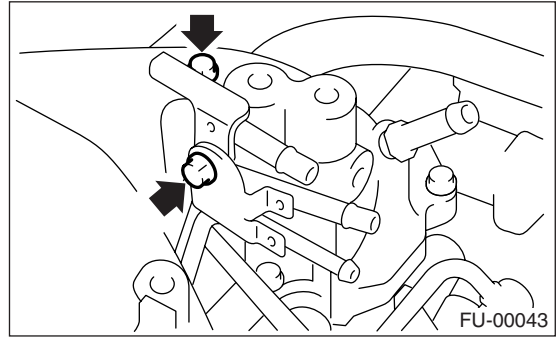
5) Remove the fuel pipe protector LH.



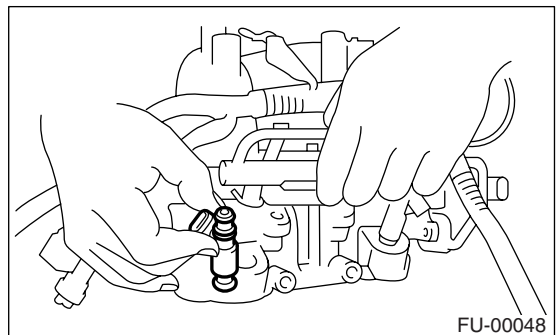
6) Disconnect the connector from the fuel injector.



7) Remove the bolts which hold the injector pipe to intake manifold.



8) Remove the fuel injector while lifting up the fuel injector pipe.



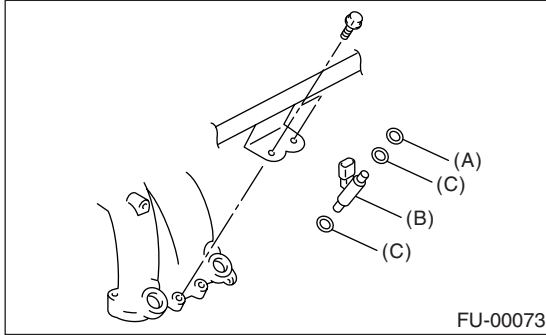
B: INSTALLATION

1. RH SIDE

Install in the reverse order of removal.

NOTE:

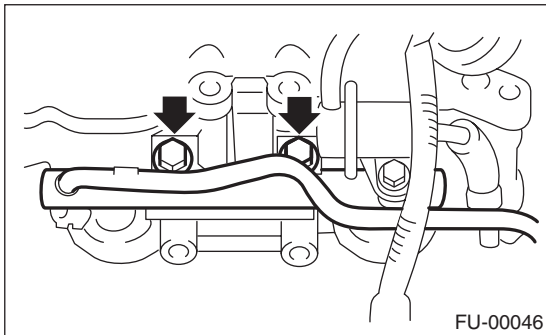
Replace the O-ring and insulators with new ones.



- (A) O-ring
- (B) Fuel injector
- (C) Insulator

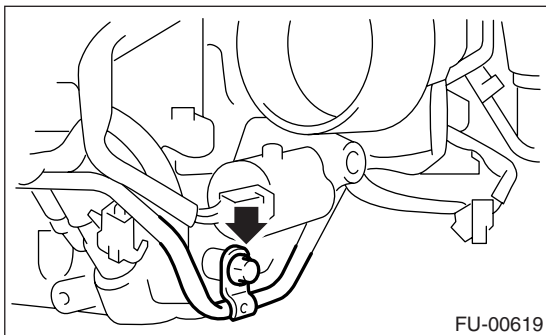
Tightening torque:

19 N·m (1.94 kgf·m, 13.7 ft·lb)



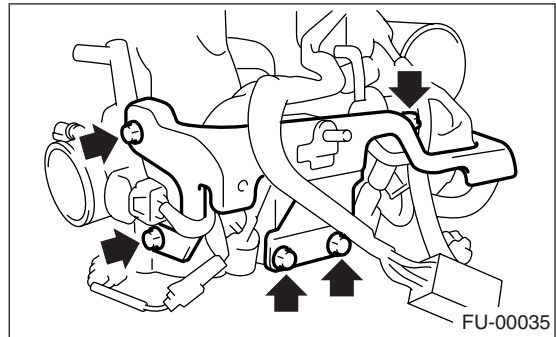
Tightening torque:

19 N·m (1.94 kgf·m, 13.7 ft·lb)



Tightening torque:

19 N·m (1.94 kgf·m, 13.7 ft·lb)

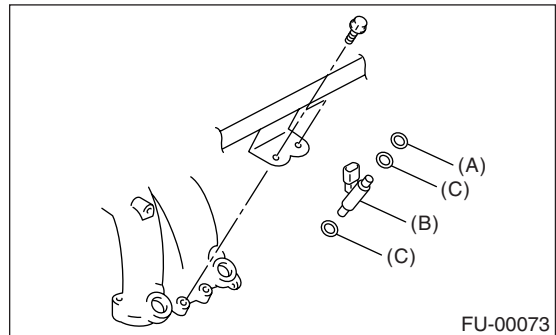


2. LH SIDE

Install in the reverse order of removal.

NOTE:

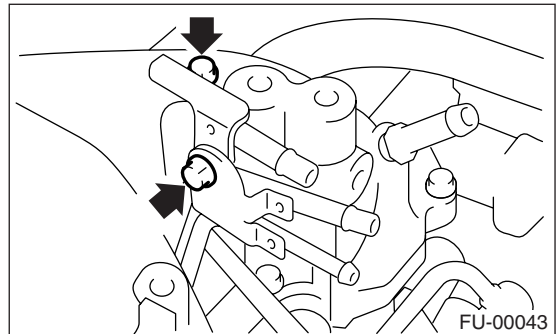
Replace the O-ring and insulators with new ones.



- (A) O-ring
- (B) Fuel injector
- (C) Insulator

Tightening torque:

4.9 N·m (0.5 kgf·m, 3.6 ft·lb)

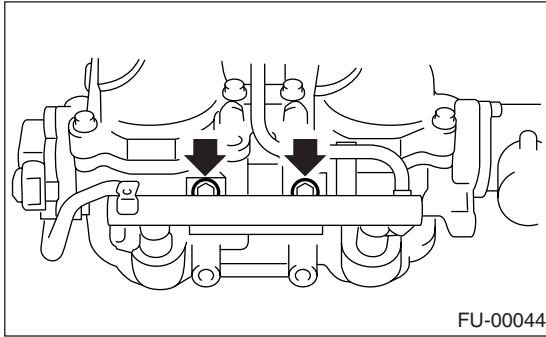


Fuel Injector

FUEL INJECTION (FUEL SYSTEMS)

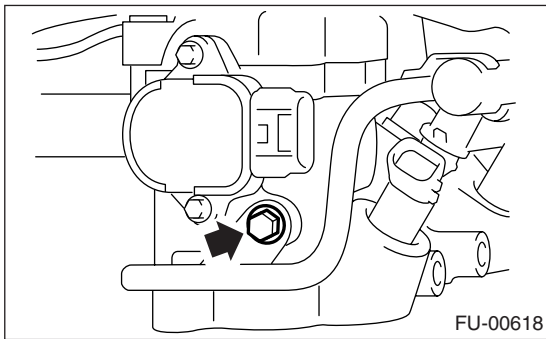
Tightening torque:

19 N·m (1.94 kgf-m, 13.7 ft-lb)



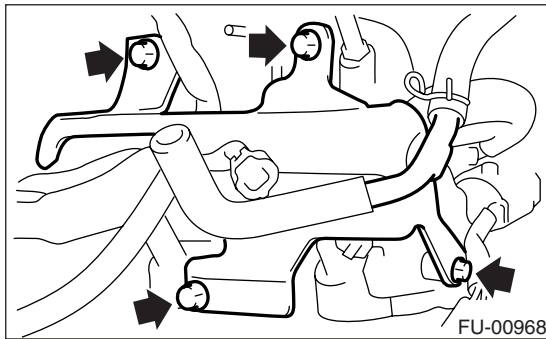
Tightening torque:

19 N·m (1.94 kgf-m, 13.7 ft-lb)



Tightening torque:

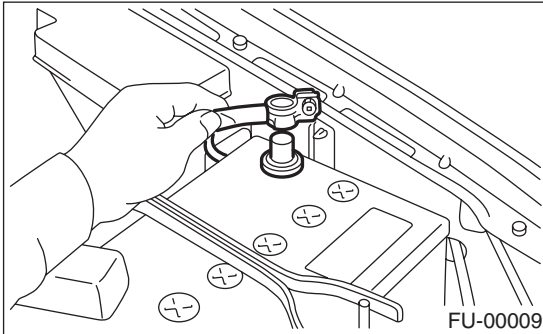
19 N·m (1.94 kgf-m, 13.7 ft-lb)



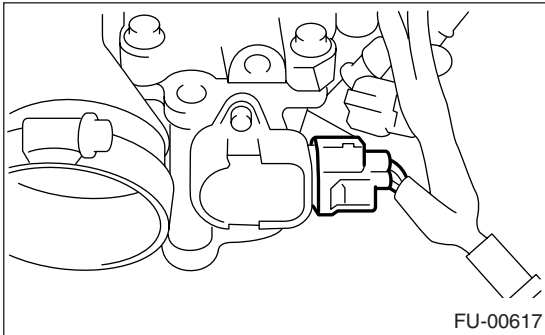
13. Tumble Generator Valve Assembly

A: REMOVAL

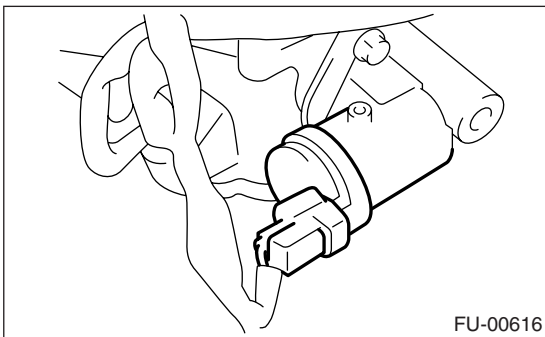
- 1) Release the fuel pressure. <Ref. to FU(H4DOTC)-52, RELEASING OF FUEL PRESSURE, PROCEDURE, Fuel.>
- 2) Open the fuel filler lid and remove the fuel filler cap.
- 3) Disconnect the ground cable from battery.



- 4) Remove the intake manifold. <Ref. to FU(H4DOTC)-14, REMOVAL, Intake Manifold.>
- 5) Disconnect the connector from the tumble generator valve sensor.

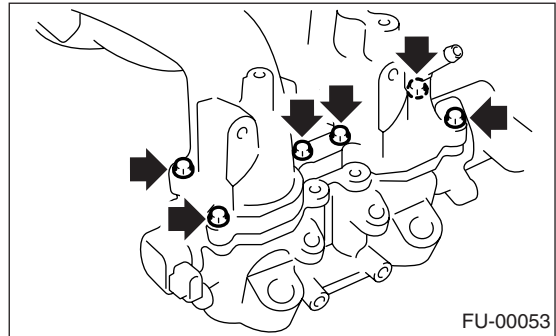


- 6) Disconnect the connector from the tumble generator valve actuator.



- 7) Remove the fuel injector. <Ref. to FU(H4DOTC)-35, REMOVAL, Fuel Injector.>

- 8) Remove the tumble generator valve body from the intake manifold.



B: INSTALLATION

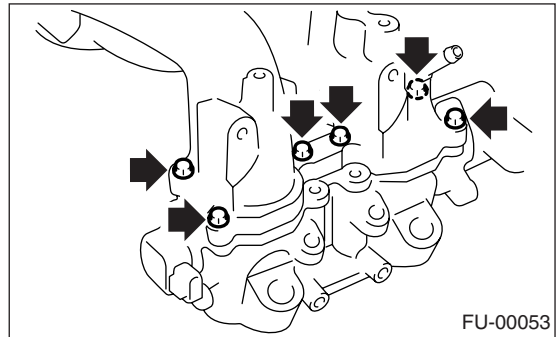
Install in the reverse order of removal.

NOTE:

Always use new gaskets.

Tightening torque:

8.25 N·m (0.84 kgf·m, 6.1 ft·lb)



Tumble Generator Valve Position Sensor

FUEL INJECTION (FUEL SYSTEMS)

14. Tumble Generator Valve Position Sensor

A: SPECIFICATION

Do not remove the tumble generator valve position sensor from tumble generator valve assembly, since it cannot be adjusted during installation.

Refer to "Tumble Generator Valve Assembly" for removal and installation procedures. <Ref. to FU(H4DOTC)-39, REMOVAL, Tumble Generator Valve Assembly.> <Ref. to FU(H4DOTC)-39, INSTALLATION, Tumble Generator Valve Assembly.>

Tumble Generator Valve Actuator

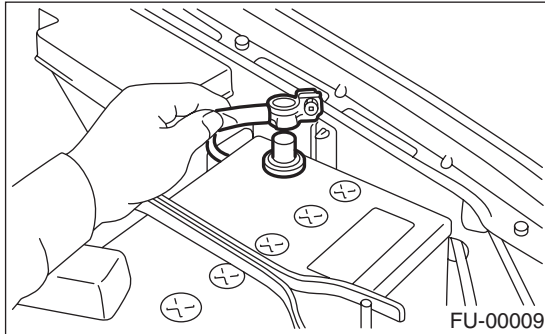
FUEL INJECTION (FUEL SYSTEMS)

15. Tumble Generator Valve Actuator

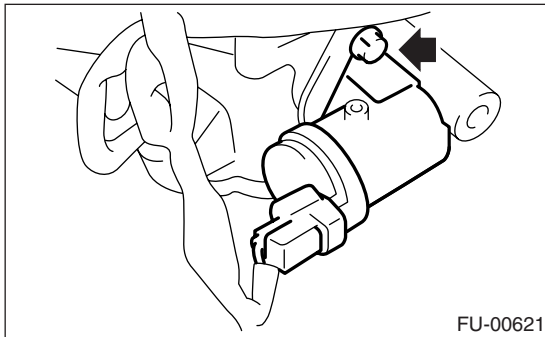
A: REMOVAL

1. RH SIDE

- 1) Release the fuel pressure. <Ref. to FU(H4DOTC)-52, RELEASING OF FUEL PRESSURE, PROCEDURE, Fuel.>
- 2) Open the fuel filler lid and remove the fuel filler cap.
- 3) Disconnect the ground cable from battery.



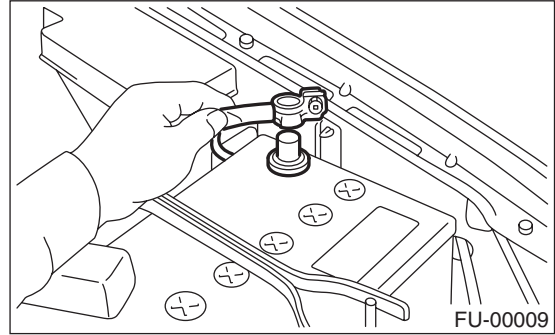
- 4) Remove the intake manifold. <Ref. to FU(H4DOTC)-14, REMOVAL, Intake Manifold.>
- 5) Disconnect the connector from tumble generator valve actuator RH.
- 6) Remove the tumble generator valve RH.



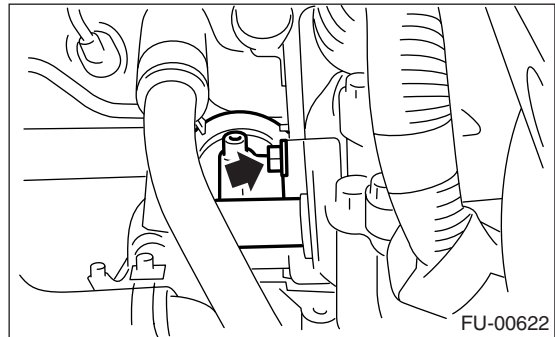
2. LH SIDE

- 1) Release the fuel pressure. <Ref. to FU(H4DOTC)-52, RELEASING OF FUEL PRESSURE, PROCEDURE, Fuel.>
- 2) Open the fuel filler lid and remove the fuel filler cap.

- 3) Disconnect the ground cable from battery.



- 4) Disconnect the connector from tumble generator valve LH.
- 5) Remove the tumble generator valve actuator LH.



B: INSTALLATION

1. RH SIDE

Install in the reverse order of removal.

2. LH SIDE

Install in the reverse order of removal.

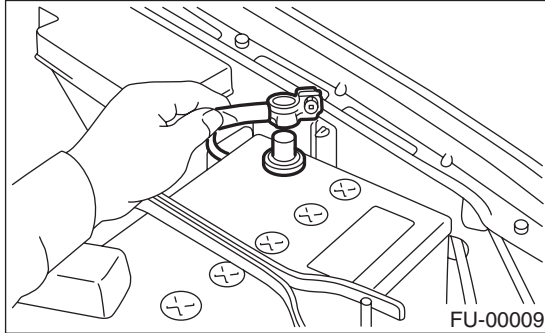
Wastegate Control Solenoid Valve

FUEL INJECTION (FUEL SYSTEMS)

16. Wastegate Control Solenoid Valve

A: REMOVAL

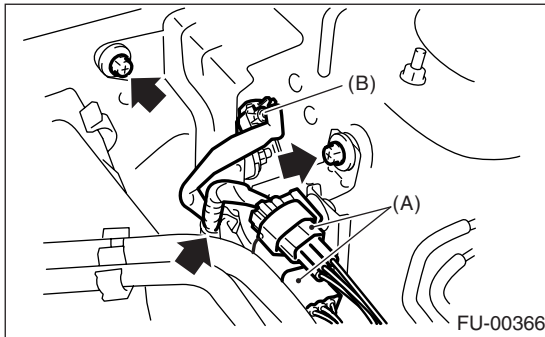
1) Disconnect the ground cable from battery.



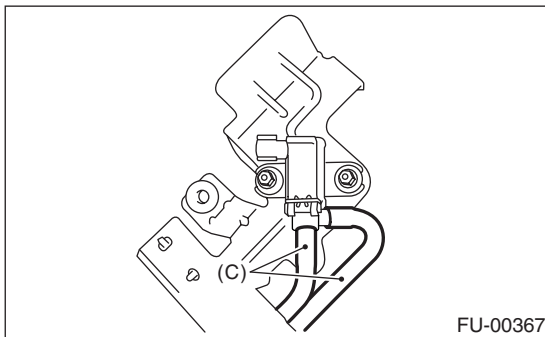
2) Disconnect the engine harness connector (A) from bracket.

3) Disconnect the connector (B) from wastegate control solenoid valve.

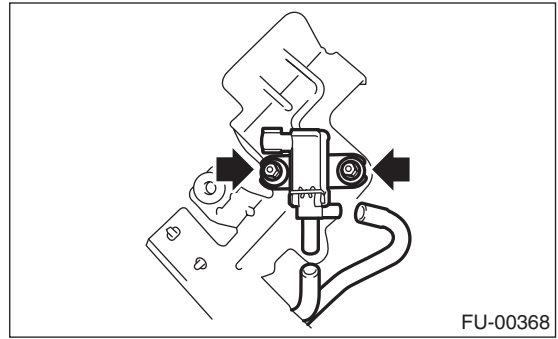
4) Remove the bracket from body.



5) Disconnect the pressure hoses (C) from wastegate control solenoid valve.



6) Remove the wastegate control solenoid valve from bracket.

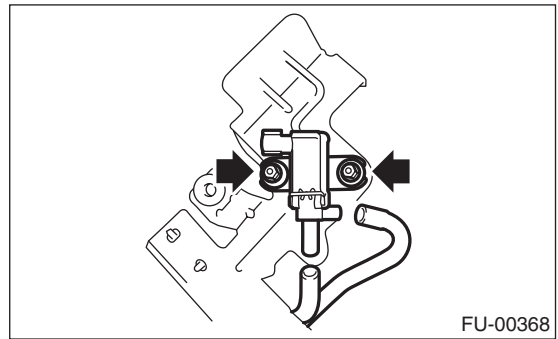


B: INSTALLATION

Install in the reverse order of removal.

Tightening torque:

6.4 N-m (0.65 kgf-m, 4.7 ft-lb)



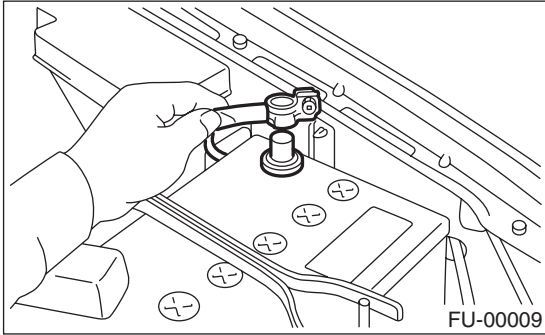
Front Oxygen (A/F) Sensor

FUEL INJECTION (FUEL SYSTEMS)

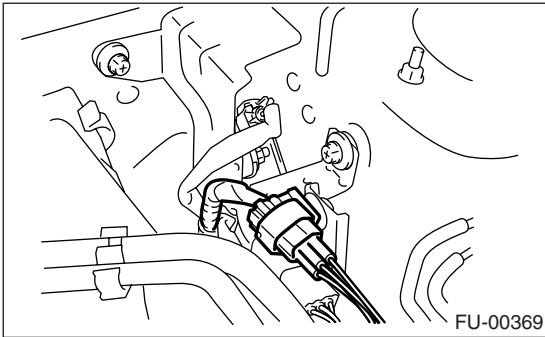
17. Front Oxygen (A/F) Sensor

A: REMOVAL

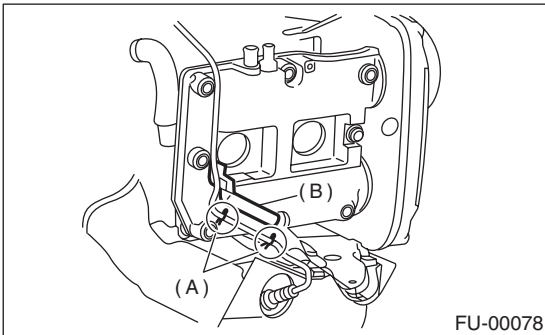
1) Disconnect the ground cable from battery.



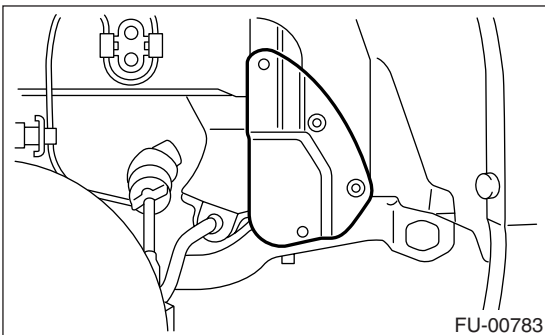
2) Disconnect the connector from the front oxygen (A/F) sensor.



3) Disconnect the engine harness fixed by clip (A) from the bracket (B).



- 4) Remove the front right side wheel.
- 5) Lift-up the vehicle.
- 6) Remove the service hole cover.

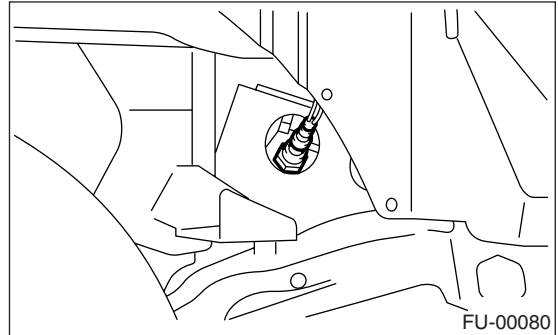


7) Apply spray type lubricant to the threaded portion of front oxygen (A/F) sensor, and leave it for one minute or more.

8) Remove the front oxygen (A/F) sensor.

CAUTION:

When removing the front oxygen (A/F) sensor, wait until exhaust pipe cools, otherwise it will damage exhaust pipe.



B: INSTALLATION

1) Before installing front oxygen (A/F) sensor, apply anti-seize compound only to the threaded portion of front oxygen (A/F) sensor to make the next removal easier.

Anti-seize compound:
SS-30 by JET LUBE

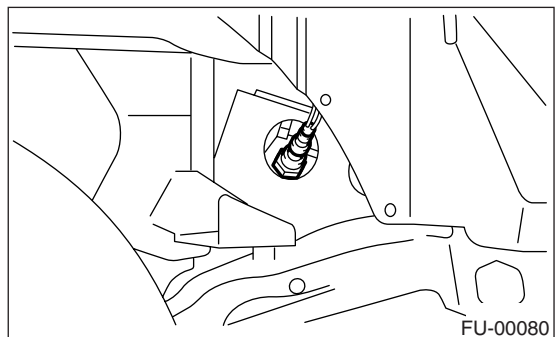
CAUTION:

Never apply anti-seize compound to protector of front oxygen (A/F) sensor.

2) Install the front oxygen (A/F) sensor.

Tightening torque:

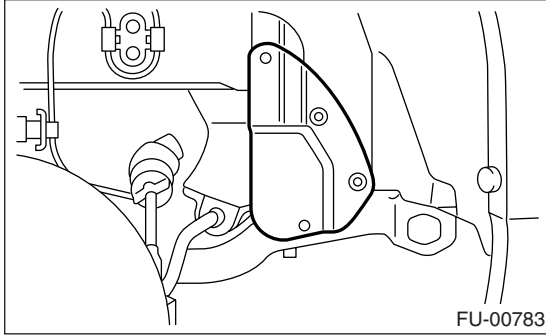
30 N·m (3.1 kgf·m, 22.1 ft·lb)



Front Oxygen (A/F) Sensor

FUEL INJECTION (FUEL SYSTEMS)

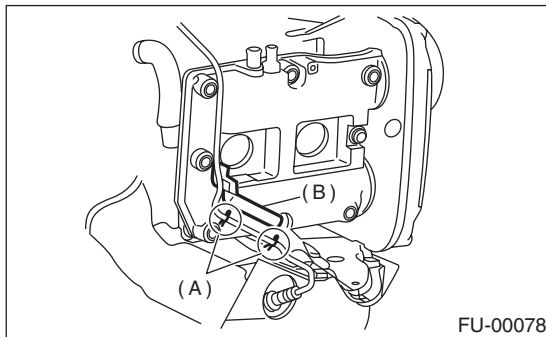
3) Install the service hole cover.



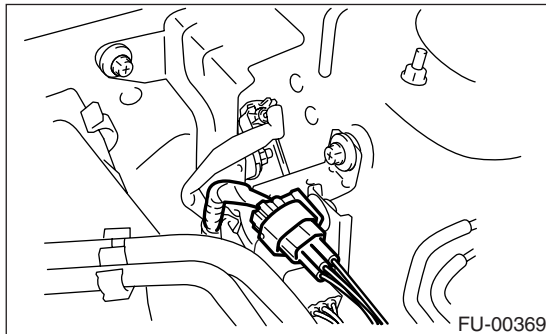
4) Lower the vehicle.

5) Install the front right side wheel.

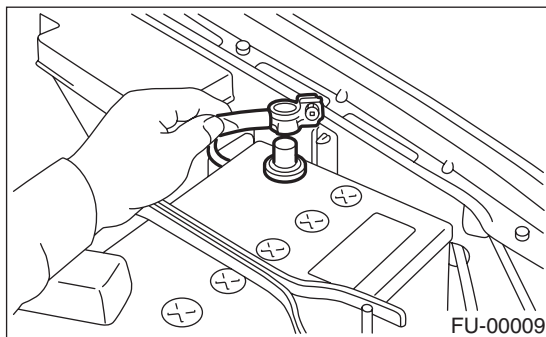
6) Connect the engine harness to the bracket (B) using clips (A).



7) Connect the connector of front oxygen (A/F) sensor.



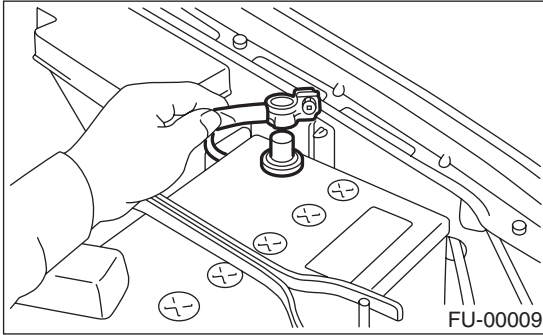
8) Connect the battery ground cable to battery.



18.Rear Oxygen Sensor

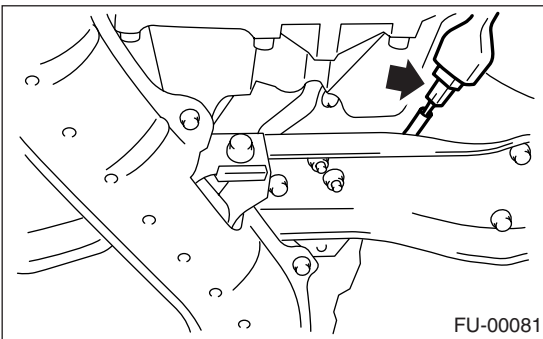
A: REMOVAL

1) Disconnect the ground cable from battery.

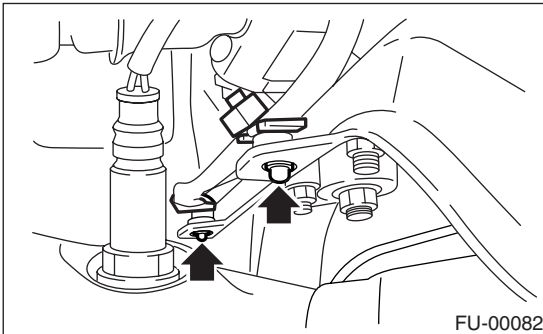


2) Lift-up the vehicle.

3) Disconnect the connector from the rear oxygen sensor.



4) Remove the clip by pulling out from the upper side of crossmember.

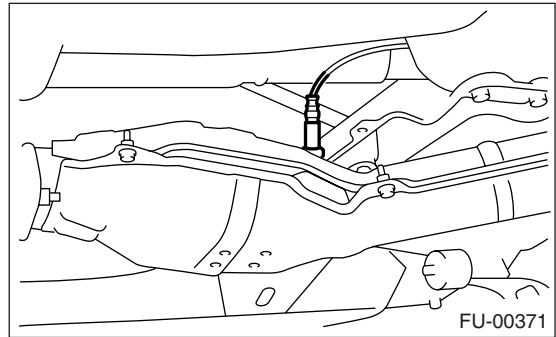


5) Apply spray type lubricant to the threaded portion of rear oxygen sensor, and leave it for one minute or more.

6) Remove the rear oxygen sensor.

CAUTION:

When removing the rear oxygen sensor, wait until exhaust pipe cools, otherwise it will damage exhaust pipe.



B: INSTALLATION

1) Before installing rear oxygen sensor, apply anti-seize compound only to the threaded portion of rear oxygen sensor to make the next removal easier.

CAUTION:

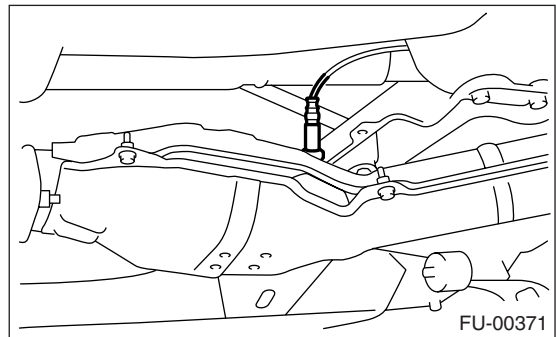
Never apply anti-seize compound to protector of rear oxygen sensor.

Anti-seize compound:
SS-30 by JET LUBE

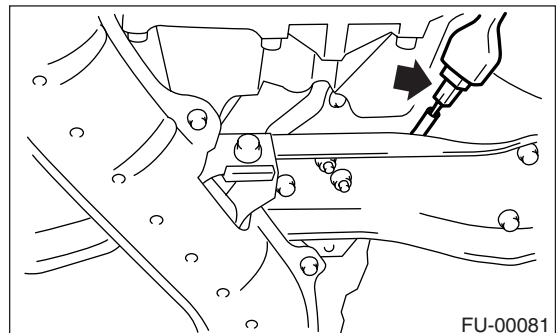
2) Install the rear oxygen sensor.

Tightening torque:

21 N·m (2.1 kgf-m, 15.2 ft-lb)



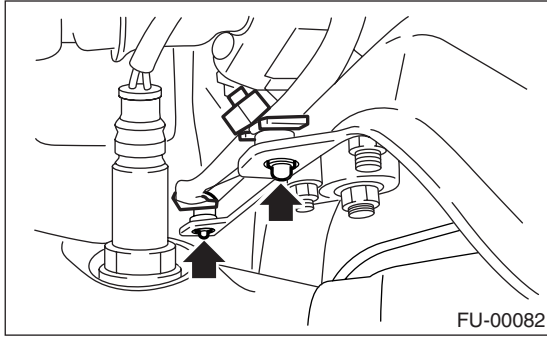
3) Connect the connector to the rear oxygen sensor.



Rear Oxygen Sensor

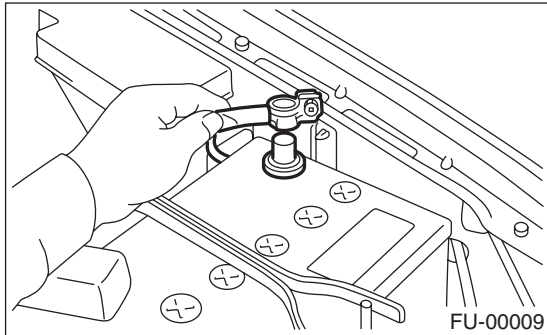
FUEL INJECTION (FUEL SYSTEMS)

4) Connect the clip to the crossmember.



5) Lower the vehicle.

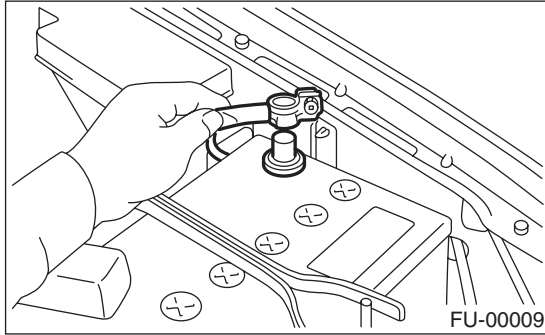
6) Connect the battery ground cable to battery.



19. Exhaust Temperature Sensor

A: REMOVAL

1) Disconnect the ground cable from battery.



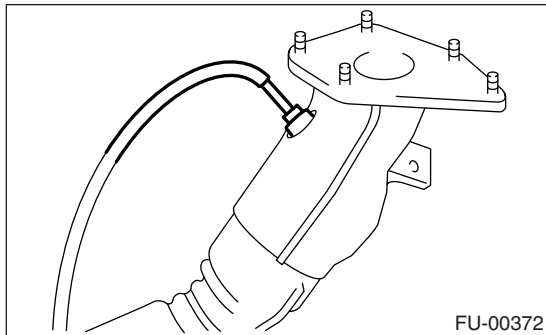
2) Remove the joint pipe. <Ref. to EX(H4DOTC)-12, REMOVAL, Joint Pipe.>

3) Apply spray type lubricant to the threaded portion of exhaust temperature sensor, and leave it for one minute or more.

4) Remove the exhaust temperature sensor.

CAUTION:

When removing the oxygen sensor, wait until exhaust pipe cools, otherwise it will damage exhaust pipe.



B: INSTALLATION

1) Before installing exhaust temperature sensor, apply anti-seize compound only to the threaded portion of rear oxygen sensor to make the next removal easier.

CAUTION:

Never apply anti-seize compound to protector of exhaust temperature sensor.

Anti-seize compound:

SS-30 by JET LUBE

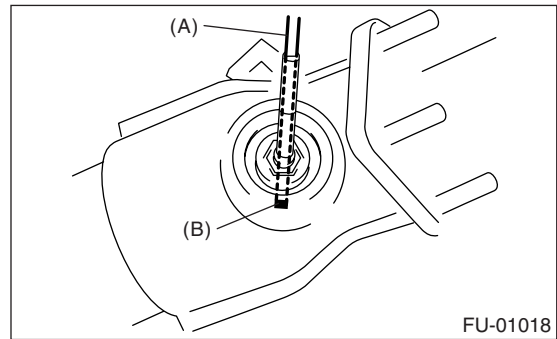
2) Install the exhaust temperature sensor.

NOTE:

Align the harness (A) of exhaust temperature sensor to the marking (B) of joint pipe, and tighten the screws.

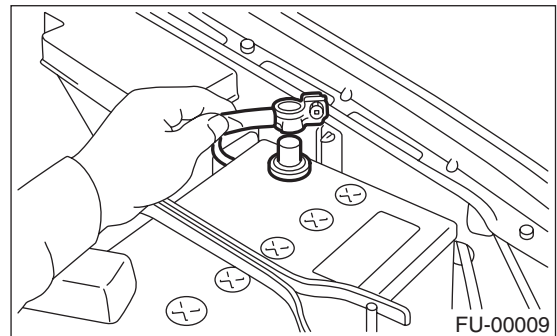
Tightening torque:

21 N·m (2.1 kgf-m, 15.2 ft-lb)



3) Install the joint pipe. <Ref. to EX(H4DOTC)-12, INSTALLATION, Joint Pipe.>

4) Connect the battery ground cable to battery.



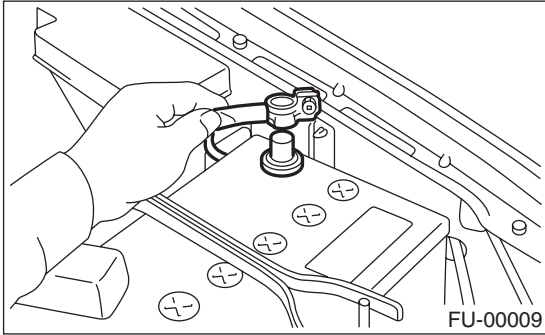
Engine Control Module (ECM)

FUEL INJECTION (FUEL SYSTEMS)

20.Engine Control Module (ECM)

A: REMOVAL

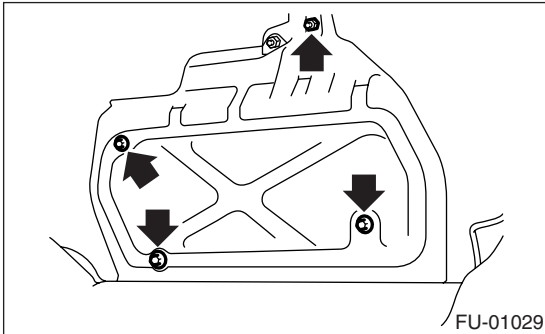
1) Disconnect the ground cable from battery.



2) Remove the lower inner trim of the passenger side. <Ref. to EI-52, REMOVAL, Lower Inner Trim.>

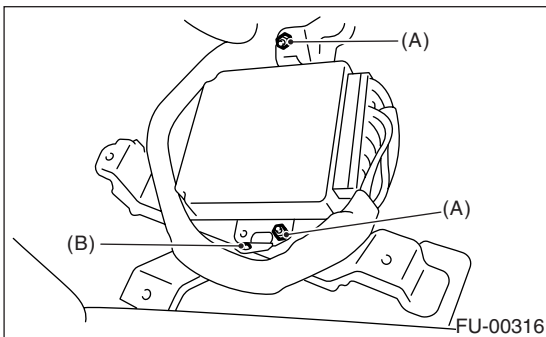
3) Detach the floor mat of the front passenger seat.

4) Remove the protect cover.



5) Remove the nuts (A) which hold ECM to the bracket.

6) Remove the clip (B) from the bracket.



7) Disconnect the ECM connectors and take out the ECM.

B: INSTALLATION

Install in the reverse order of removal.

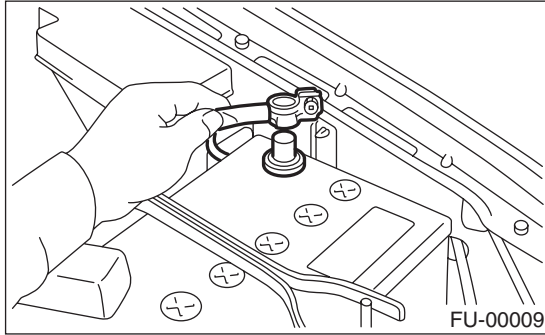
NOTE:

When replacing ECM, be careful not to use the wrong spec. ECM to avoid any damage to the fuel injection system.

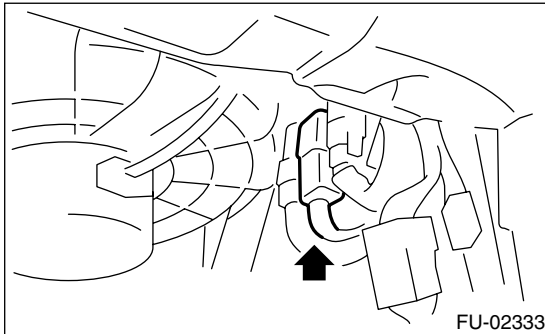
21.Main Relay

A: REMOVAL

- 1) Disconnect the ground cable from battery.



- 2) Remove the passenger's side front side sill cover.
- 3) Remove the bolt which holds the main relay bracket on the body.
- 4) Disconnect the connectors from the main relay.



B: INSTALLATION

Install in the reverse order of removal.

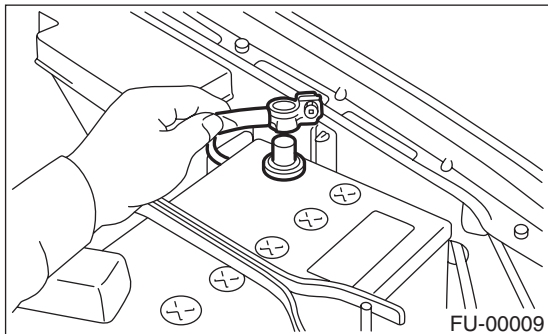
Fuel Pump Relay

FUEL INJECTION (FUEL SYSTEMS)

22. Fuel Pump Relay

A: REMOVAL

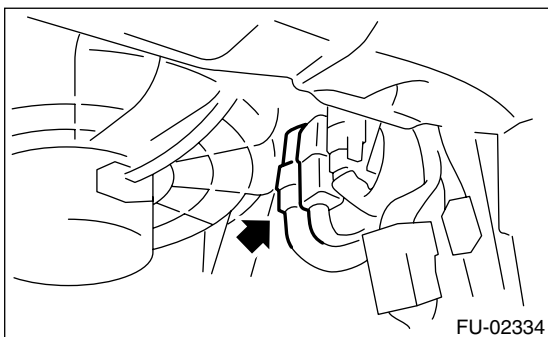
1) Disconnect the ground cable from battery.



2) Remove the passenger's side front side sill cover.

3) Remove the bolt which holds fuel pump relay bracket on the body.

4) Disconnect the connector from the fuel pump relay.



5) Remove the fuel pump relay from the mounting bracket.

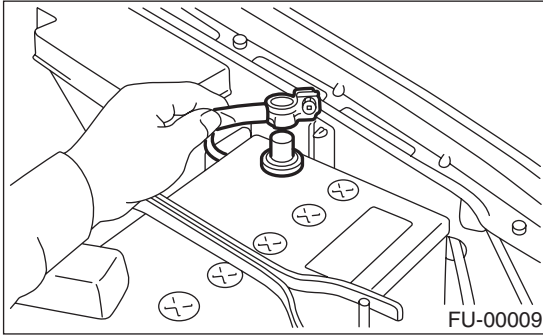
B: INSTALLATION

Install in the reverse order of removal.

23. Fuel Pump Control Unit

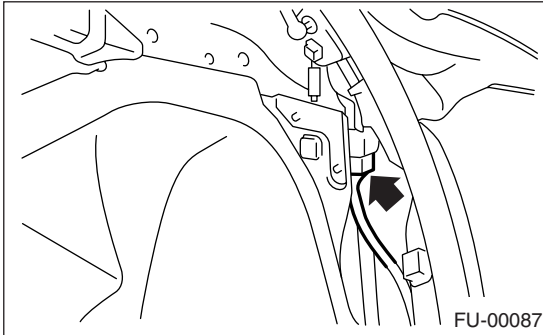
A: REMOVAL

1) Disconnect the ground cable from battery.

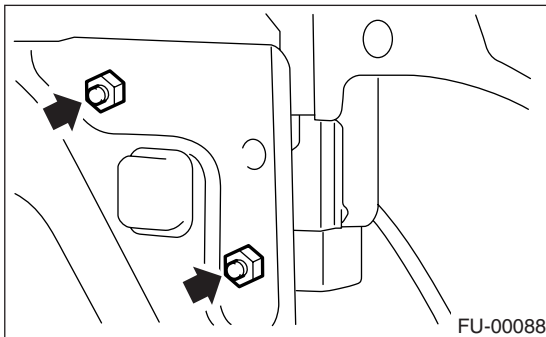


2) Remove the rear quarter trim. <Ref. to EI-53, REMOVAL, Rear Quarter Trim.>

3) Disconnect the connector from the fuel pump control unit.



4) Remove the fuel pump control unit.



B: INSTALLATION

Install in the reverse order of removal.

24. Fuel

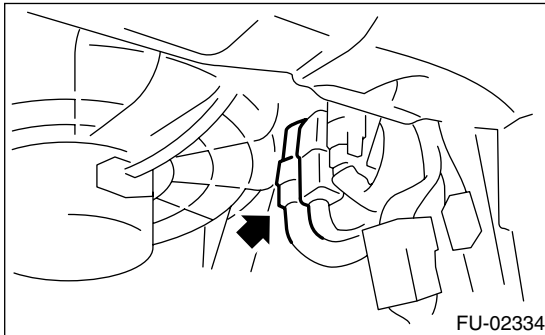
A: PROCEDURE

1. RELEASING OF FUEL PRESSURE

WARNING:

- Place “NO FIRE” signs near the working area.
- Be careful not to spill the fuel.

- 1) Disconnect the connector from the fuel pump relay.



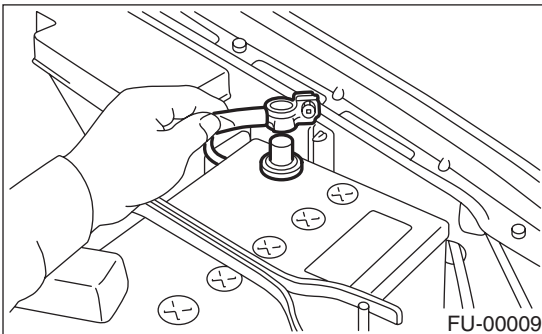
- 2) Start and run the engine until it stalls.
- 3) After the engine stalls, crank it for five more seconds.
- 4) Turn the ignition switch to OFF.

2. DRAINING FUEL

WARNING:

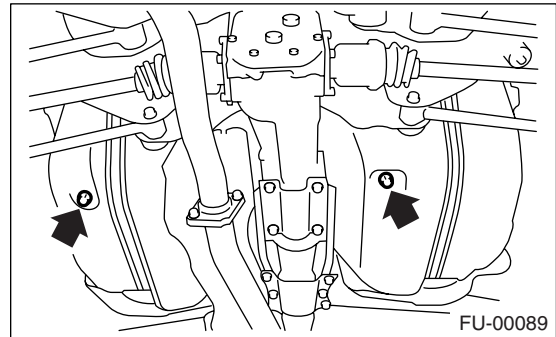
- Place “NO FIRE” signs near the working area.
- Be careful not to spill the fuel.

- 1) Set the vehicle on the lift.
- 2) Disconnect the ground cable from battery.



- 3) Open the fuel filler flap lid and remove the fuel filler cap.
- 4) Lift-up the vehicle.

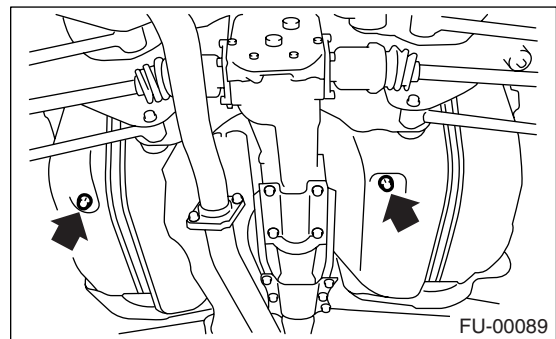
- 5) Drain the fuel from the fuel tank.
Set a container under the vehicle and remove drain plug from the fuel tank.



- 6) Tighten the fuel drain plug.

Tightening torque:

26 N·m (2.65 kgf·m, 19.2 ft·lb)



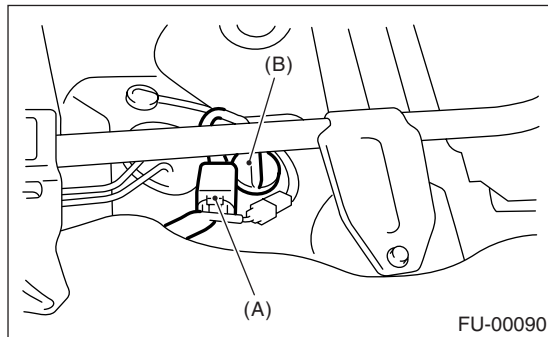
25. Fuel Tank

A: REMOVAL

WARNING:

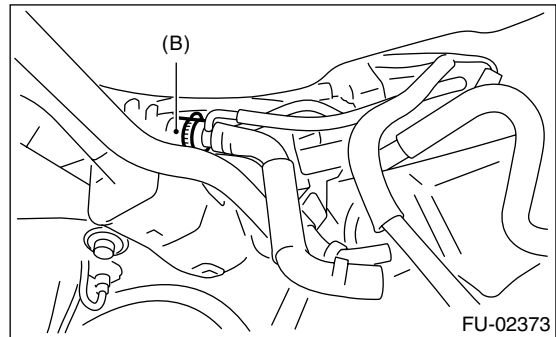
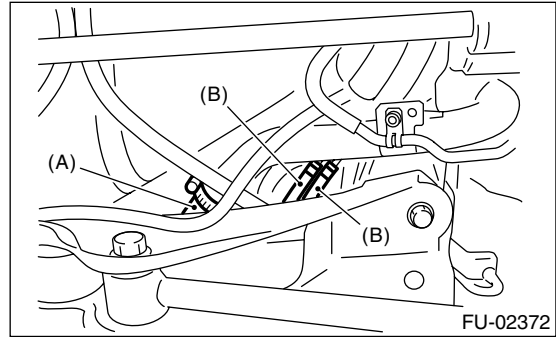
- Place “NO FIRE” signs near the working area.
- Be careful not to spill the fuel.

- 1) Set the vehicle on the lift.
- 2) Release the fuel pressure. <Ref. to FU(H4DOTC)-52, RELEASING OF FUEL PRESSURE, PROCEDURE, Fuel.>
- 3) Drain the fuel from the fuel tank. <Ref. to FU(H4DOTC)-52, DRAINING FUEL, PROCEDURE, Fuel.>
- 4) Remove the rear seat.
- 5) Disconnect the connector (A) of fuel tank cord to the rear harness.
- 6) Push the grommet (B) which holds the fuel tank cord on floor panel into under the body.

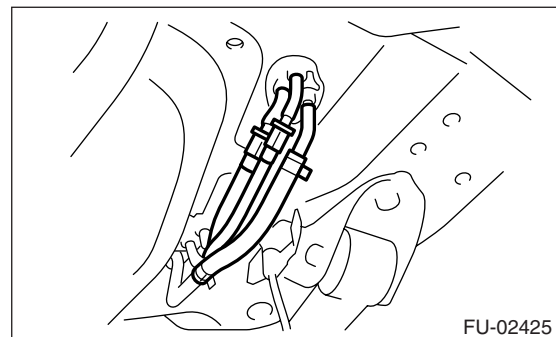


- 7) Remove the rear crossmember. <Ref. to RS-18, REMOVAL, Rear Crossmember.>
- 8) Remove the canister. <Ref. to EC(H4SO)-6, REMOVAL, Canister.>
- 9) Disconnect the connector from the pressure control solenoid valve.

- 10) Loosen the clamp, and disconnect the fuel filler hose (A) and evaporation hose (B) from fuel filler pipe.



- 11) Move the clips, and disconnect the quick connector. <Ref. to FU(H4DOTC)-67, REMOVAL, Fuel Delivery, Return and Evaporation lines.>
- 12) Disconnect the fuel hoses.



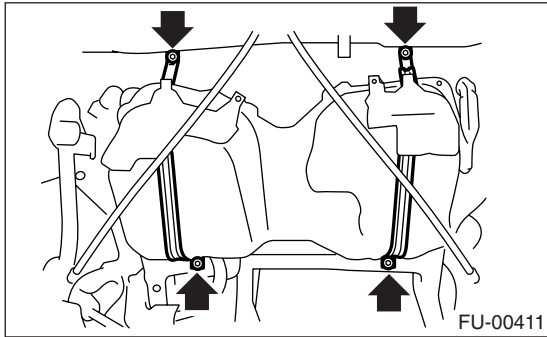
- 13) Support the fuel tank with transmission jack, remove the bolts from bands and dismount the fuel tank from vehicle.

Fuel Tank

FUEL INJECTION (FUEL SYSTEMS)

WARNING:

A helper is required to perform this work.



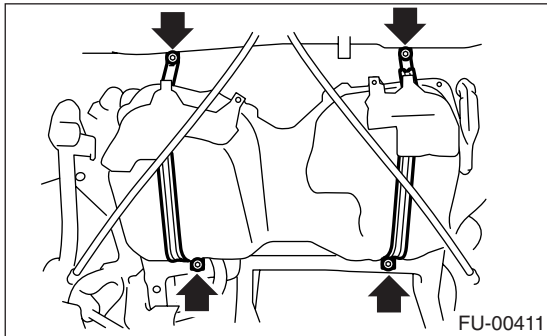
B: INSTALLATION

1) Support the fuel tank with transmission jack and push the fuel tank harness into the access hole with grommet.

2) Set the fuel tank and temporarily tighten the bolts of fuel tank bands.

WARNING:

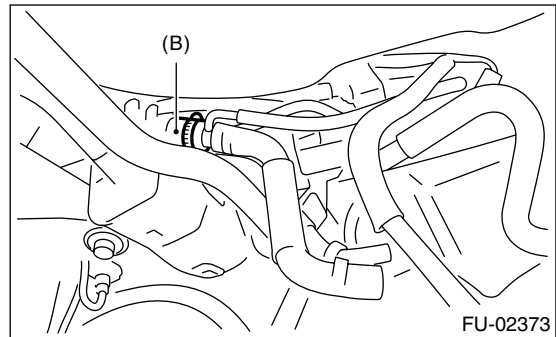
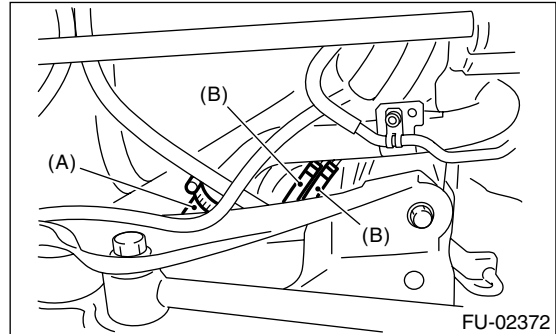
A helper is required to perform this work.



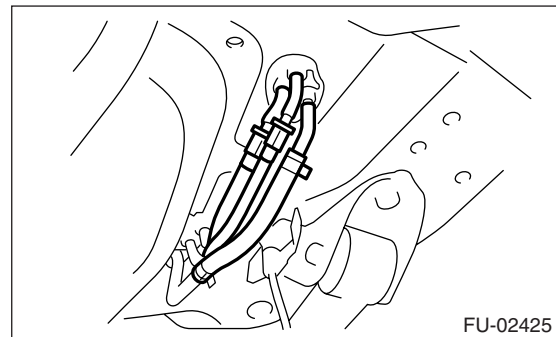
3) Insert the fuel filler hose (A) approx. 35 to 40 mm (1.38 to 1.57 in) over the lower end of fuel filler pipe and tighten the clamp.

CAUTION:

Do not allow clips to touch air vent hose (B) and rear suspension crossmember.



4) Connect the fuel hoses, and hold them with clips and quick connector. <Ref. to FU(H4DOTC)-68, INSTALLATION, Fuel Delivery, Return and Evaporation lines.>



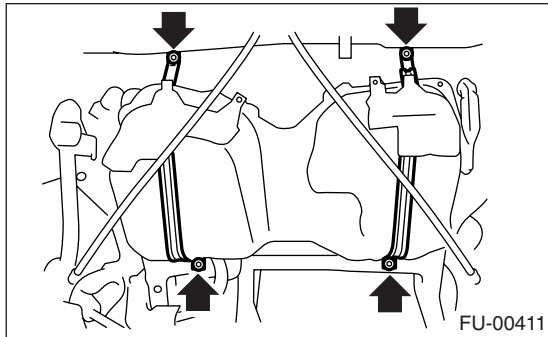
5) Connect the connector to the pressure control solenoid valve.

6) Install the canister. <Ref. to EC(H4SO)-6, INSTALLATION, Canister.>

7) Tighten the band mounting bolts.

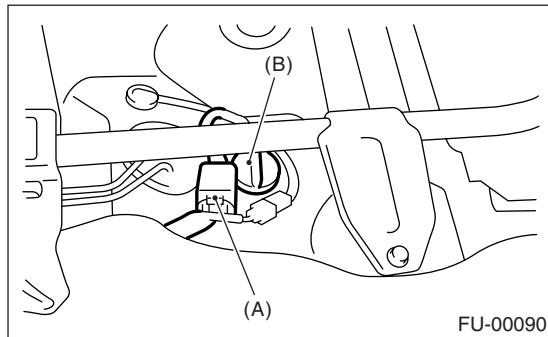
Tightening torque:

33 N·m (3.4 kgf·m, 25 ft·lb)



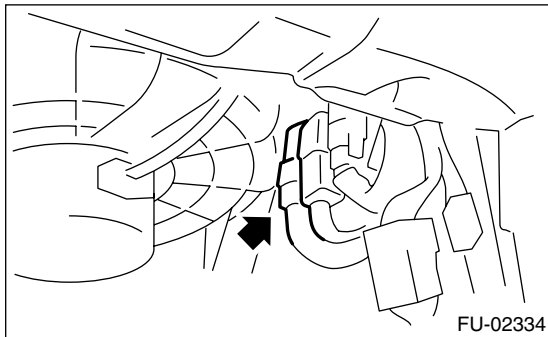
8) Install the rear crossmember. <Ref. to RS-18, INSTALLATION, Rear Crossmember.>

9) Connect the connector (A) to the fuel tank cord and plug the service hole with grommet (B).



10) Set the rear seat and floor mat.

11) Connect the connector to the fuel pump relay.



C: INSPECTION

1) Make sure there are no cracks, holes, or other damage on the fuel tank.

2) Make sure that the fuel hoses and fuel pipes are not cracked and the connections are tightened firmly.

Fuel Filler Pipe

FUEL INJECTION (FUEL SYSTEMS)

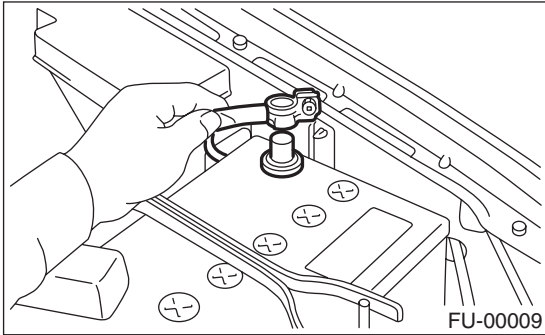
26. Fuel Filler Pipe

A: REMOVAL

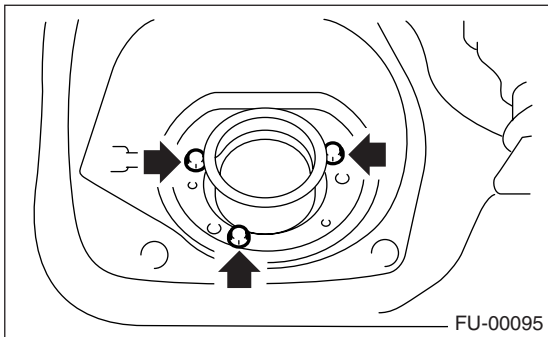
WARNING:

- Place “NO FIRE” signs near the working area.
- Be careful not to spill fuel on the floor.

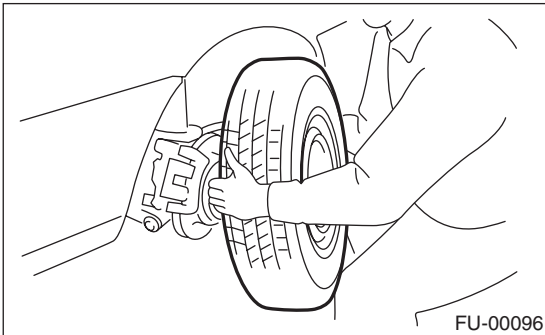
- 1) Release the fuel pressure. <Ref. to FU(H4DOTC)-52, RELEASING OF FUEL PRESSURE, PROCEDURE, Fuel.>
- 2) Open the fuel filler flap lid and remove the filler cap.
- 3) Disconnect the ground cable from battery.



- 4) Remove the screws holding packing in place.

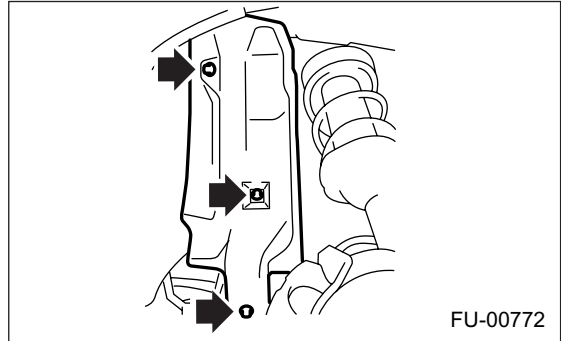


- 5) Lift up the vehicle.
- 6) Remove the rear right side wheel nuts.
- 7) Remove the rear right side wheel.

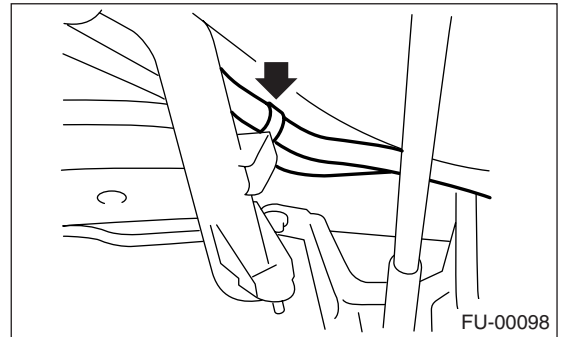


- 8) Drain the fuel from the fuel tank. <Ref. to FU(H4DOTC)-52, DRAINING FUEL, PROCEDURE, Fuel.>

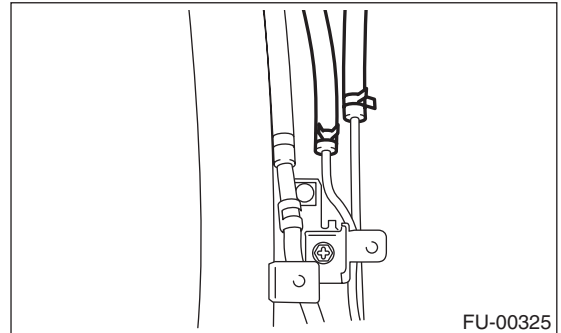
- 9) Remove the fuel filler pipe protector.



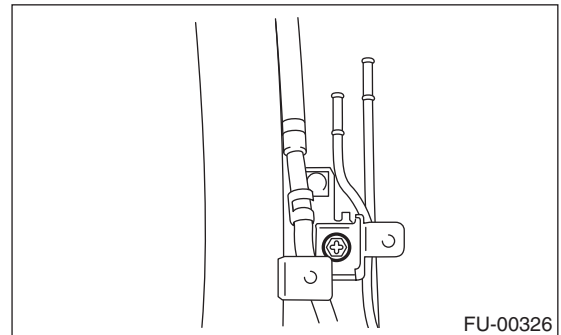
- 10) Separate the evaporation hoses from the clip of fuel filler pipe.



- 11) Disconnect the evaporation hoses from fuel pipes.

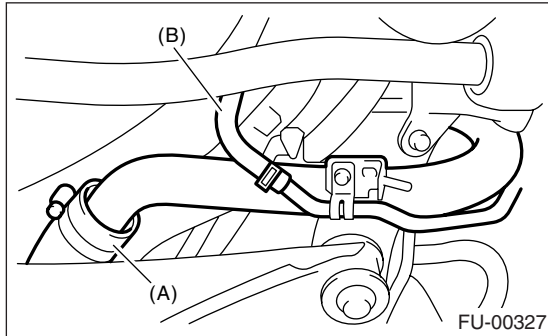


- 12) Remove the bolts which hold the fuel filler pipe bracket on the body.



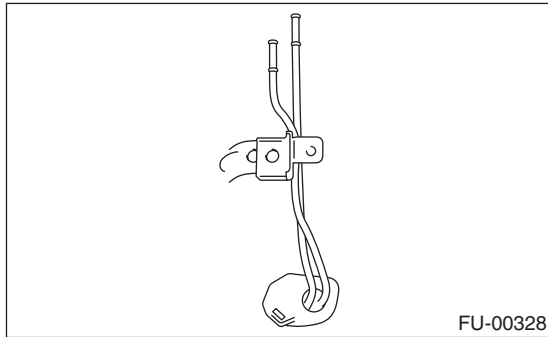
- 13) Loosen the clamp and separate the fuel filler hose (A) from the fuel filler pipe.

14) Move the clip and separate the evaporation hose (B).

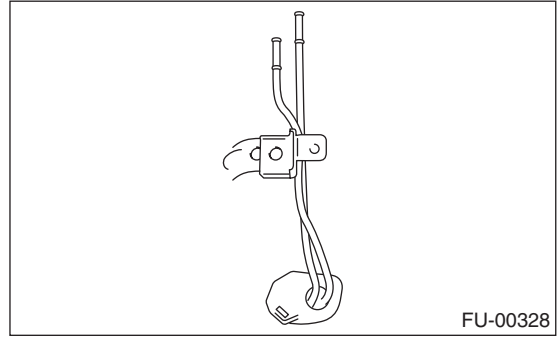


15) Remove the fuel filler pipe to under side of the vehicle.

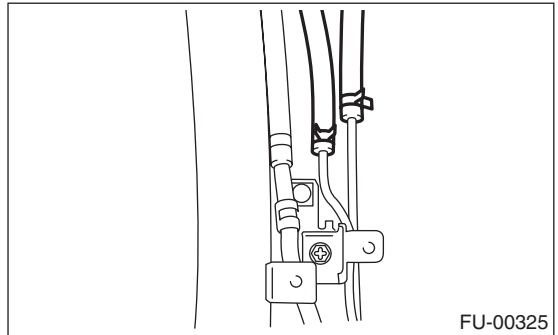
16) Remove the evaporation pipe together with clip from the body.



4) Install the evaporation pipe.



5) Connect the evaporation hoses to fuel pipes.



6) Insert the fuel filler hose (A) approximately 35 to 40 mm (1.38 to 1.57 in) over the lower end of fuel filler pipe and tighten the clamp.

7) Insert the evaporation hose (B) approximately 25 to 30 mm (0.98 to 1.18 in) into the lower end of evaporation pipe and hold the clip.

CAUTION:

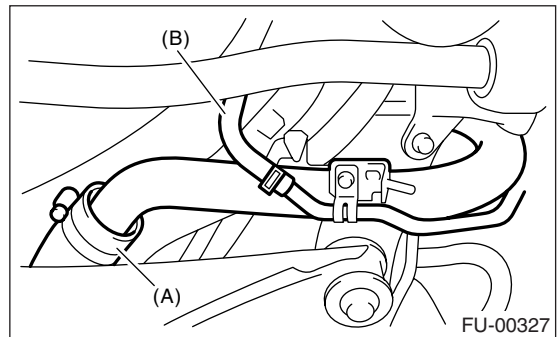
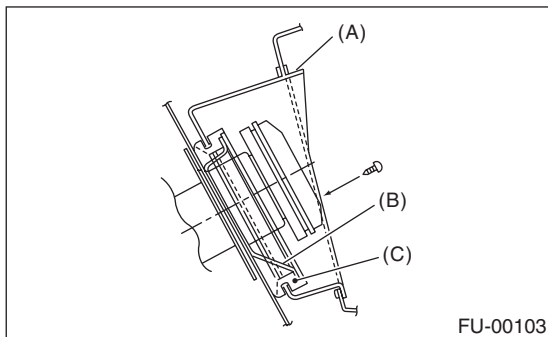
Do not allow clips to touch evaporation hose (B) and rear suspension crossmember.

B: INSTALLATION

- 1) Open the fuel filler flap lid.
- 2) Set the fuel saucer (A) with rubber packing (C) and insert the fuel filler pipe into hole from the inner side of apron.
- 3) Align the holes in fuel filler pipe neck and set the cup (B), and tighten the screws.

NOTE:

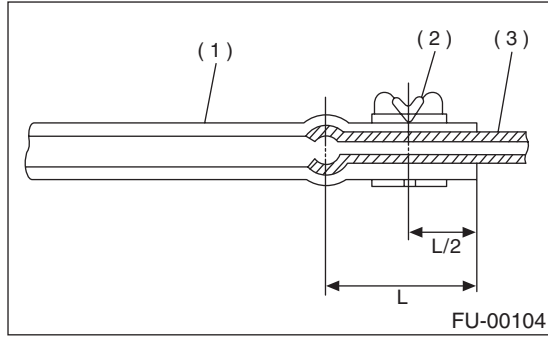
If the edges of rubber packing are folded toward the inside, straighten it with a screwdriver.



Fuel Filler Pipe

FUEL INJECTION (FUEL SYSTEMS)

$L = 27.5 \pm 2.5 \text{ mm (1.083 \pm 0.098 \text{ in})}$

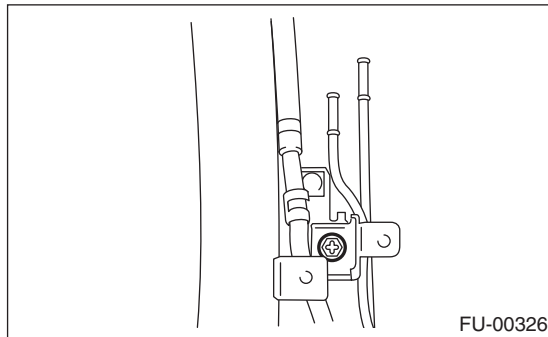


- (1) Hose
- (2) Clip
- (3) Pipe

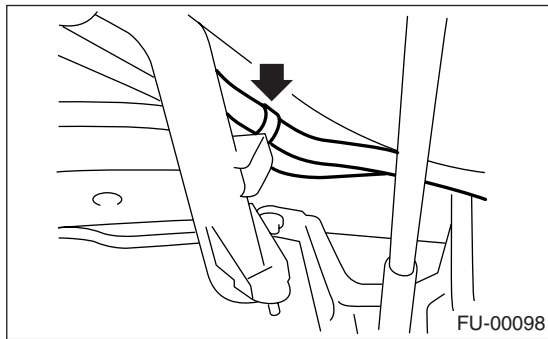
8) Tighten the bolt which holds the fuel filler pipe bracket on the body.

Tightening torque:

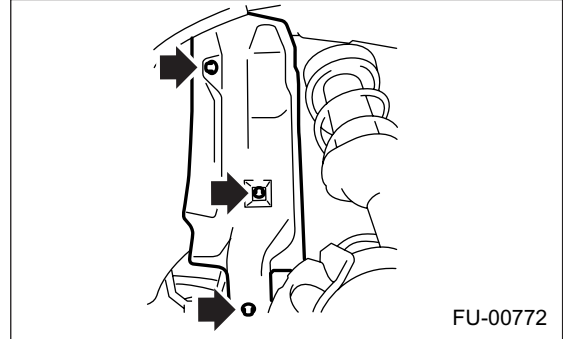
$7.5 \text{ N}\cdot\text{m (0.75 kgf}\cdot\text{m, 5.4 ft}\cdot\text{lb)}$



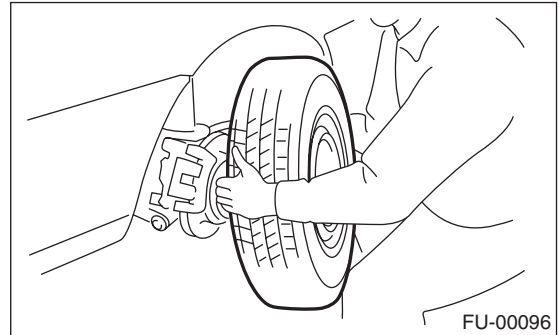
9) Secure the evaporation hose to clip of fuel filler pipe.



10) Install the fuel filler pipe protector.



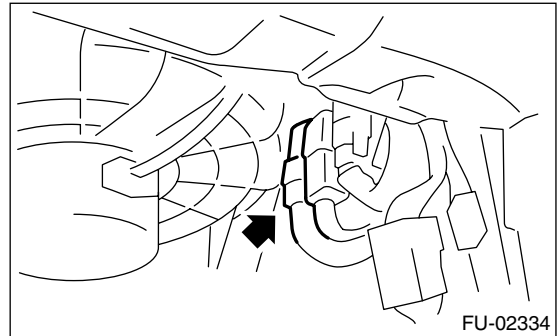
11) Install the rear right wheel.



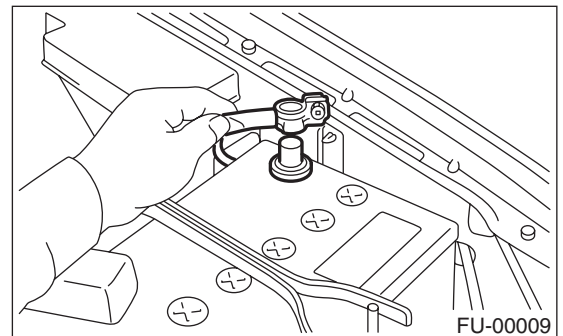
12) Lower the vehicle.

13) Tighten the wheel nuts.

14) Connect the connector to the fuel pump relay.

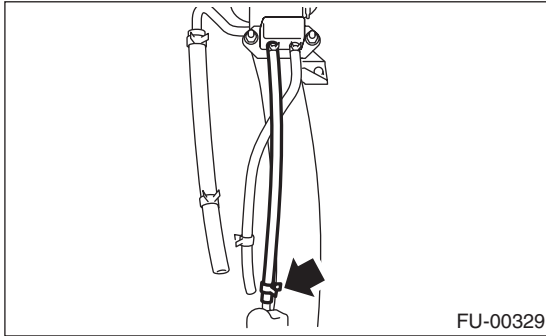


15) Connect the battery ground cable to battery.

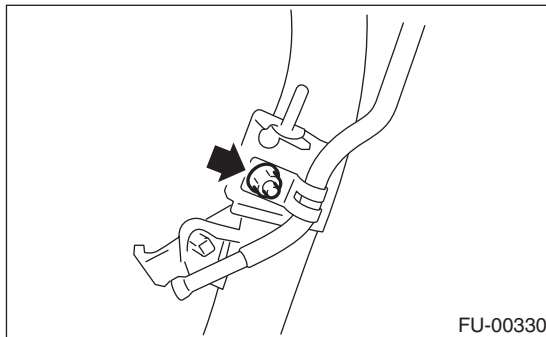


C: DISASSEMBLY

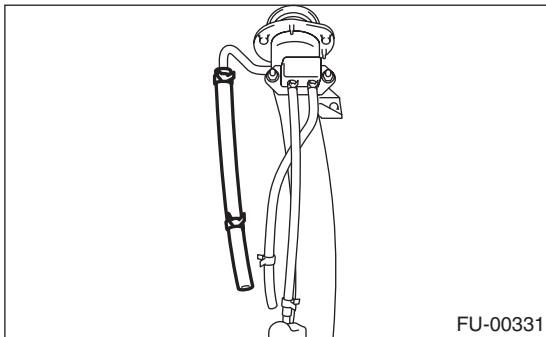
1) Move the clamp, and disconnect the evaporation hose from the joint pipe.



2) Remove the bolt which installs the joint pipe on the fuel filler pipe.



3) Disconnect the evaporation hose from the fuel filler pipe.

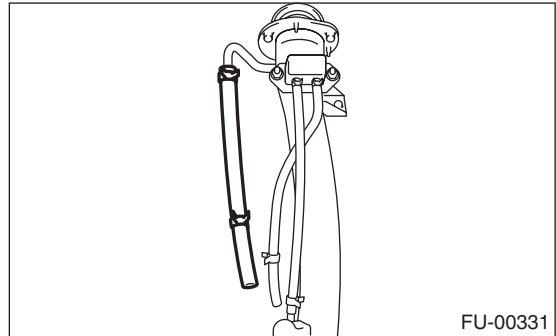


4) Remove the shut valve from the fuel filler pipe. <Ref. to EC(H4DOTC)-17, REMOVAL, Shut Valve.>

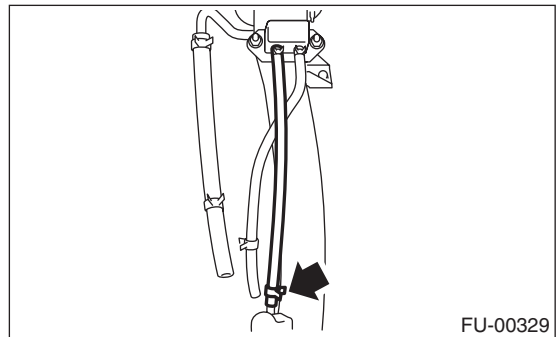
D: ASSEMBLY

1) Install the shut valve on the fuel filler pipe. <Ref. to EC(H4DOTC)-6, INSTALLATION, Canister.>

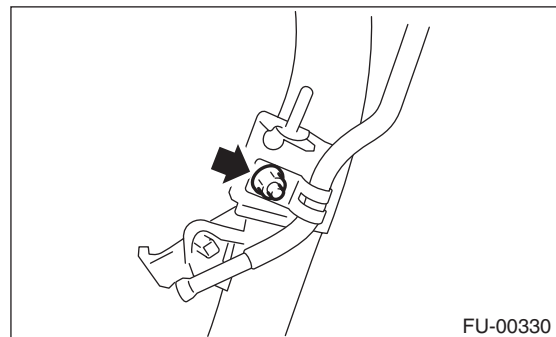
2) Connect the evaporation hose to the fuel filler pipe.



3) Connect the evaporation hose to the evaporation pipe.



4) Install the evaporation pipe to the fuel filler pipe.



Fuel Pump

FUEL INJECTION (FUEL SYSTEMS)

27. Fuel Pump

A: REMOVAL

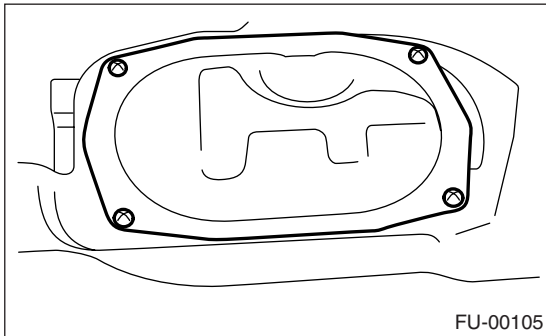
WARNING:

- Place “NO FIRE” signs near the working area.
- Be careful not to spill fuel on the floor.

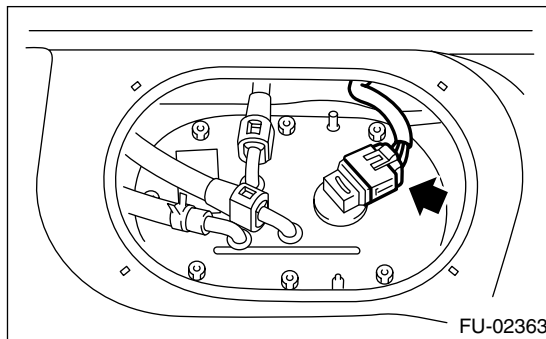
NOTE:

The fuel pump assembly consists of a fuel pump and a fuel level sensor.

- 1) Release the fuel pressure. <Ref. to FU(H4DOTC)-52, RELEASING OF FUEL PRESSURE, PROCEDURE, Fuel.>
- 2) Open the fuel filler flap lid and remove the fuel filler cap.
- 3) Disconnect the ground cable from battery.
- 4) Lift up the vehicle.
- 5) Drain the fuel from the fuel tank. <Ref. to FU(H4DOTC)-52, DRAINING FUEL, PROCEDURE, Fuel.>
- 6) Raise the rear seat and turn the floor mat up.
- 7) Remove the access hole cover.

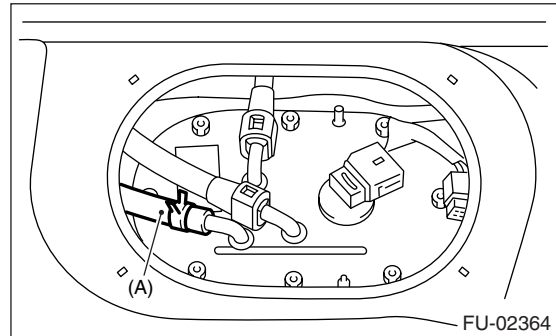


- 8) Disconnect the connector from fuel pump.

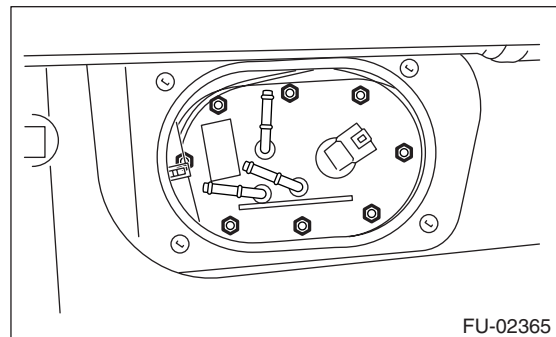


- 9) Disconnect the quick connector and then disconnect the fuel delivery hose and return hose. <Ref. to FU(H4DOTC)-67, REMOVAL, Fuel Delivery, Return and Evaporation lines.>

- 10) Move the clip and then disconnect the jet pump hose (A).



- 11) Remove the nuts which install the fuel pump assembly onto the fuel tank.



- 12) Take off the fuel pump assembly from the fuel tank.

B: INSTALLATION

Install in the reverse order of removal. Do the following:

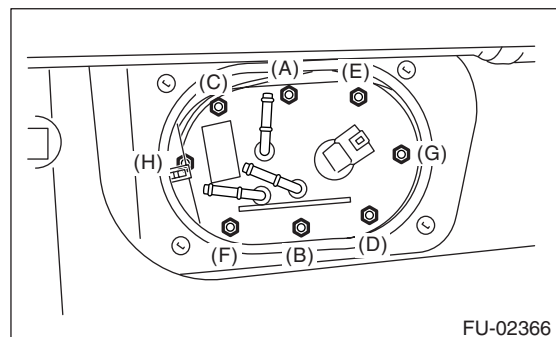
NOTE:

Replace the gaskets with new ones.

- (1) Ensure the sealing portion is free from fuel or foreign particles before installation.
- (2) Tighten the nuts in alphabetical sequence shown in figure to specified torque.

Tightening torque:

4.4 N·m (0.45 kgf·m, 3.3 ft·lb)

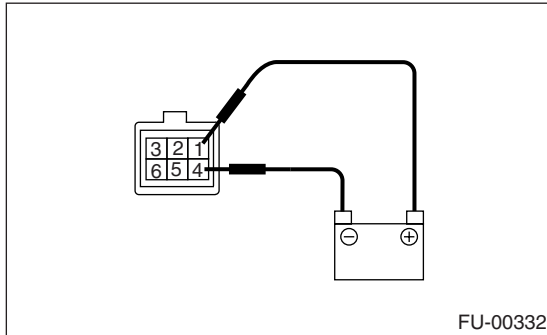


C: INSPECTION

Connect the lead harness to the connector terminal of fuel pump and apply the battery power supply to check whether the pump operates.

WARNING:

- Wipe off the fuel completely.
- Keep battery as far apart from fuel pump as possible.
- Be sure to turn the battery supply ON and OFF on the battery side.
- Do not run fuel pump for a long time under non-load condition.



28. Fuel Level Sensor

A: REMOVAL

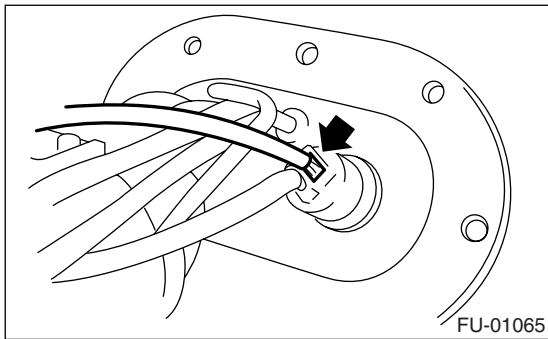
WARNING:

- Place “NO FIRE” signs near the working area.
- Be careful not to spill the fuel.

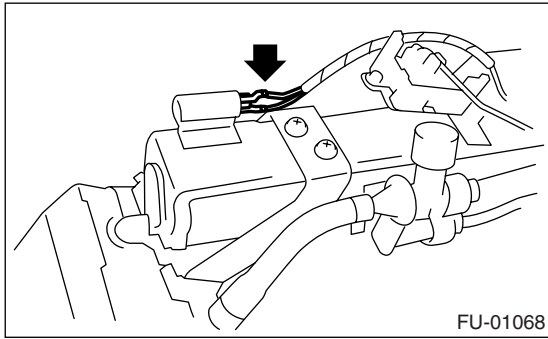
NOTE:

Fuel level sensor is built in fuel pump assembly.

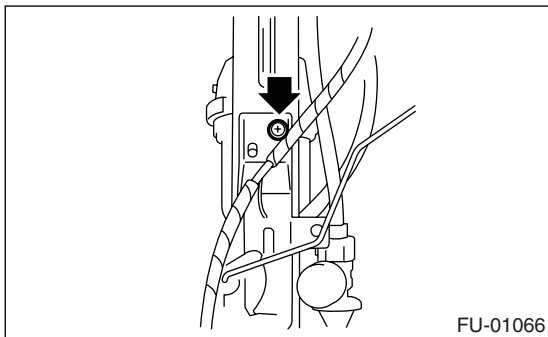
- 1) Remove the fuel pump assembly. <Ref. to FU(H4DOTC)-60, REMOVAL, Fuel Pump.>
- 2) Disconnect the connector from the fuel pump bracket.



- 3) Remove the fuel temperature sensor.



- 4) Remove the bolt which installs the fuel level sensor on mounting bracket.



B: INSTALLATION

Install in the reverse order of removal.

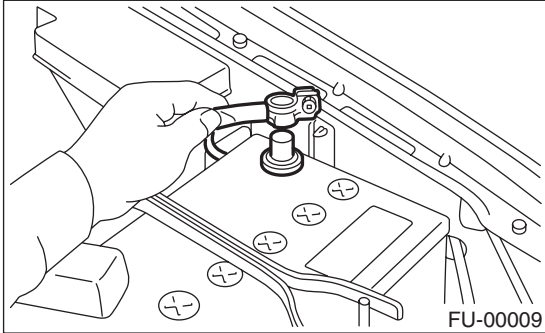
29. Fuel Sub Level Sensor

A: REMOVAL

WARNING:

- Place “NO FIRE” signs near the working area.
- Be careful not to spill fuel on the floor.

1) Disconnect the ground cable from battery.

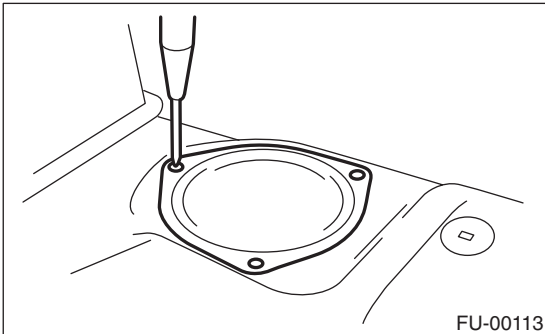


2) Lift up the vehicle.

3) Drain the fuel from the fuel tank. <Ref. to FU(H4DOTC)-52, DRAINING FUEL, PROCEDURE, Fuel.>

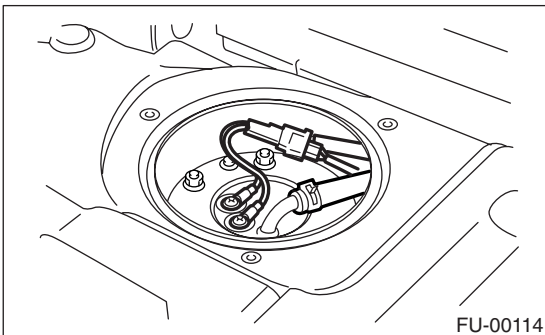
4) Remove the rear seat.

5) Remove the service hole cover.

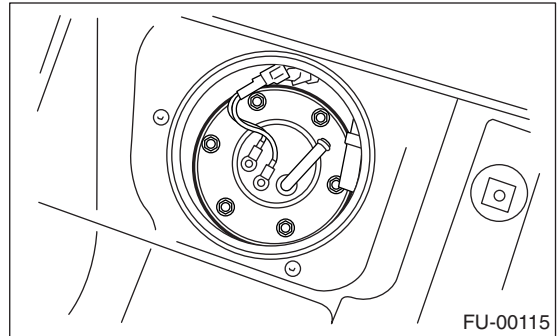


6) Disconnect the connector from the fuel sub level sensor.

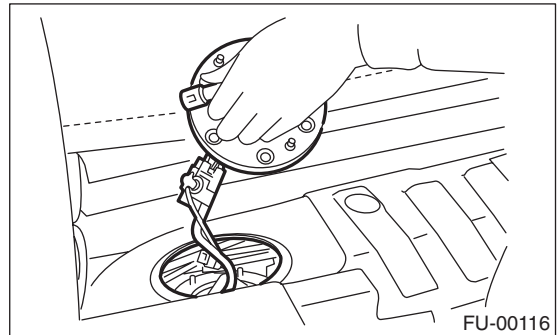
7) Disconnect the fuel jet pump hose.



8) Remove the bolts which install the fuel sub level sensor on the fuel tank.



9) Remove the fuel sub level sensor.



B: INSTALLATION

Install in the reverse order of removal.

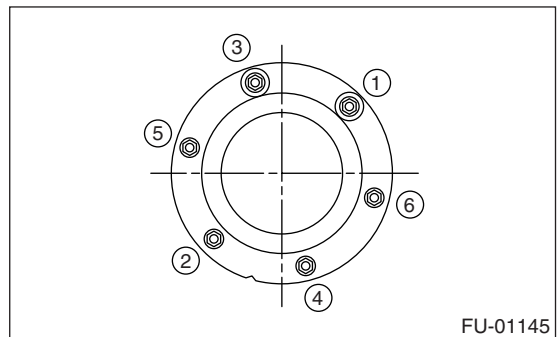
NOTE:

Use a new gasket.

- (1) Ensure the sealing portion is free from fuel or foreign particles before installation.
- (2) Tighten the nuts and bolts to specified torque in the order as shown in the figure.

Tightening torque:

4.4 N·m (0.45 kgf·m, 3.3 ft·lb)



Fuel Filter

FUEL INJECTION (FUEL SYSTEMS)

30. Fuel Filter

A: REMOVAL

WARNING:

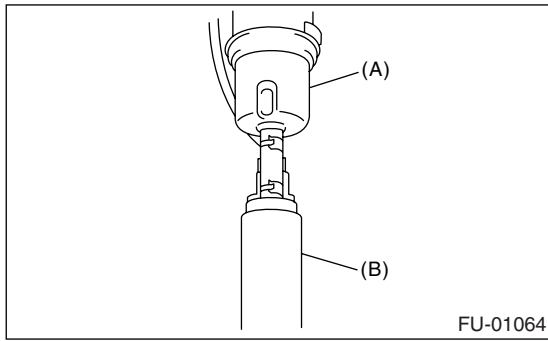
- Place “NO FIRE” signs near the working area.
- Be careful not to spill the fuel.

NOTE:

Fuel filter is built into the fuel pump assembly.

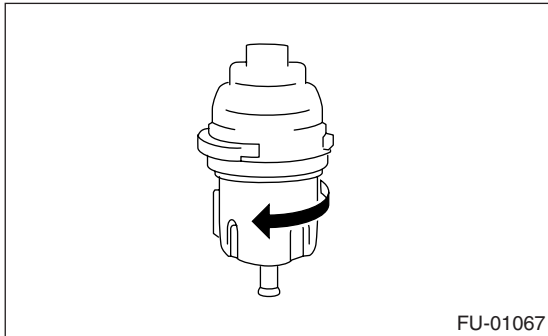
- 1) Release the fuel pressure. <Ref. to FU(H4DOTC)-52, RELEASING OF FUEL PRESSURE, PROCEDURE, Fuel.>
- 2) Remove the fuel pump assembly. <Ref. to FU(H4DOTC)-60, REMOVAL, Fuel Pump.>
- 3) Remove the fuel pump. <Ref. to FU(H4DOTC)-60, REMOVAL, Fuel Pump.>
- 4) Separate the fuel filter from fuel pump.

- 2) If it is clogged, or if replacement interval has been reached, replace it.



- (A) Fuel filter
(B) Fuel pump

- 5) Turn the filter holder around to the arrow direction, and then remove the filter.



B: INSTALLATION

CAUTION:

- If fuel hoses are damaged at the connecting portion, replace them with new ones.
- If clamps are badly damaged, replace them with new ones.

Install in the reverse order of removal.

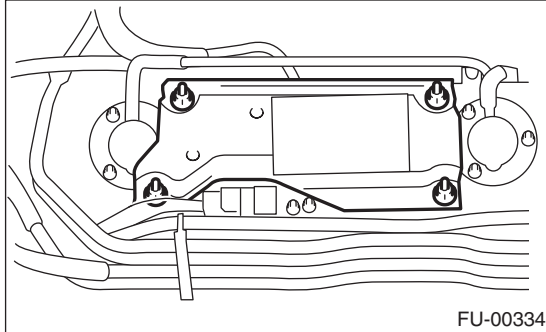
C: INSPECTION

- 1) Check the inside of fuel filter for dirt and water sediment.

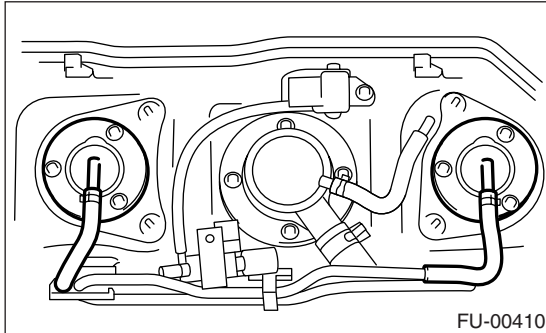
31. Fuel Cut Valve

A: REMOVAL

- 1) Remove the fuel tank. <Ref. to FU(H4DOTC)-53, REMOVAL, Fuel Tank.>
- 2) Remove the protect cover.



- 3) Move the clip and disconnect the evaporation hose from fuel cut valve.



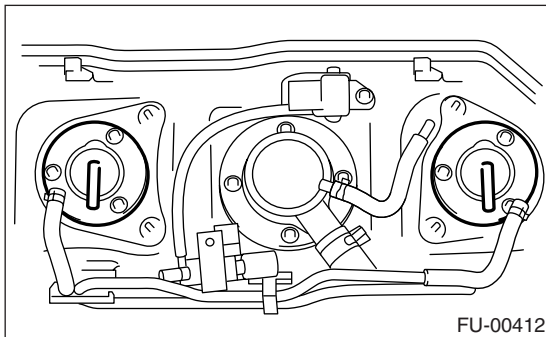
- 4) Remove the bolts which install the fuel cut valve.

B: INSTALLATION

Install in the reverse order of removal.

Tightening torque:

4.4 N·m (0.45 kgf-m, 3.3 ft-lb)



Fuel Damper Valve

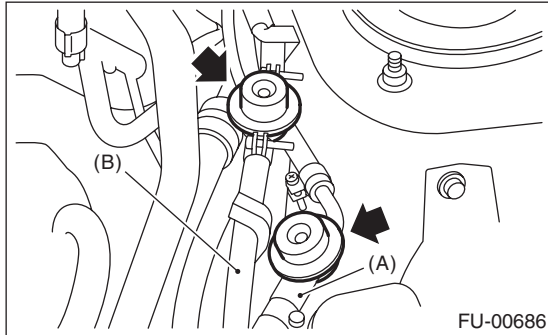
FUEL INJECTION (FUEL SYSTEMS)

32.Fuel Damper Valve

A: REMOVAL

1) Release the fuel pressure. <Ref. to FU(H4DOTC)-52, RELEASING OF FUEL PRESSURE, PROCEDURE, Fuel.>

2) Remove the fuel damper valve from the fuel delivery line (A) and fuel return line (B).



B: INSTALLATION

Install in the reverse order of removal.

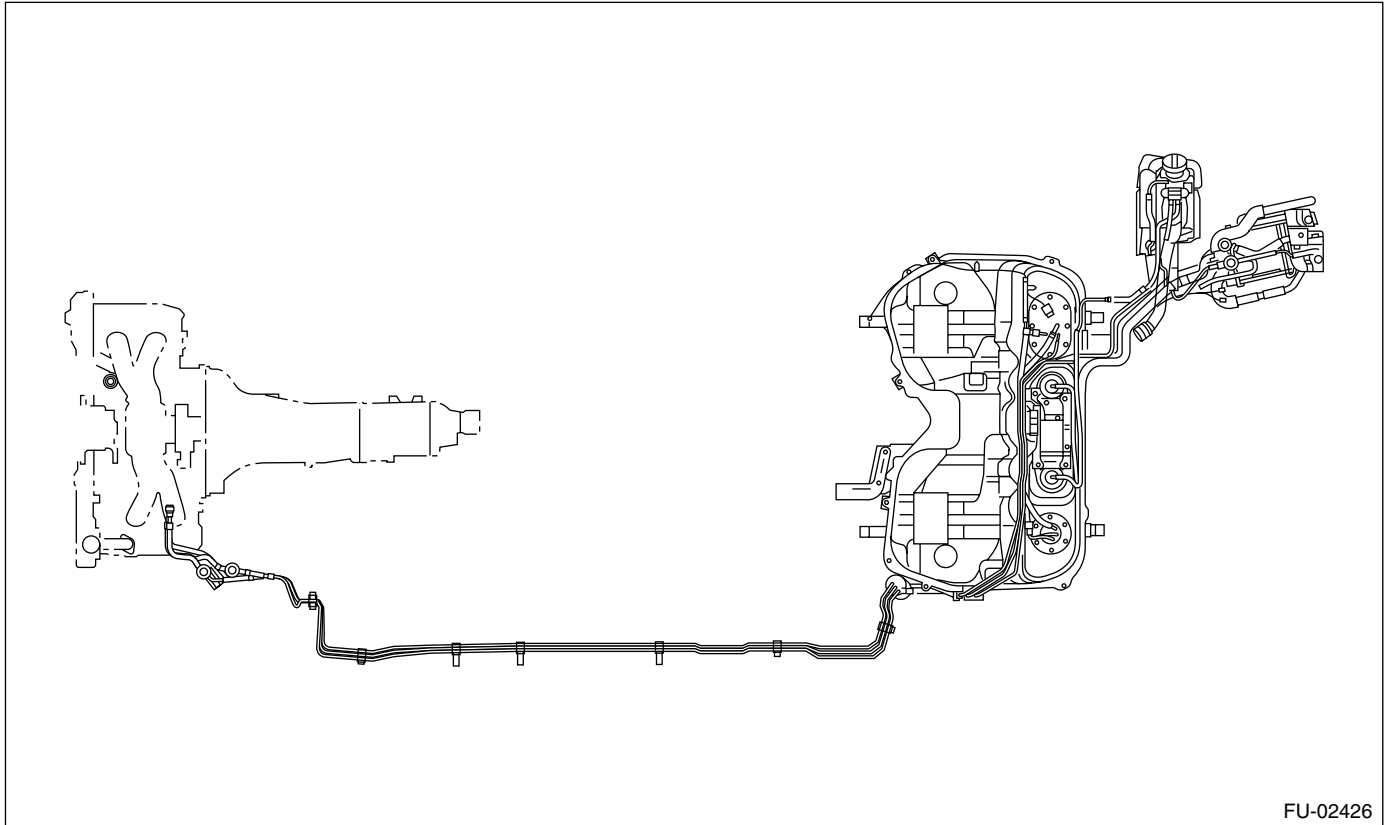
Tightening torque:

1.25 N·m (0.13 kgf-m, 0.94 ft-lb)

33. Fuel Delivery, Return and Evaporation lines

A: REMOVAL

- 1) Set the vehicle on a lift.
- 2) Release the fuel pressure. <Ref. to FU(H4DOTC)-52, RELEASING OF FUEL PRESSURE, PROCEDURE, Fuel.>
- 3) Open the fuel filler flap lid and remove the fuel filler cap.
- 4) Remove the floor mat. <Ref. to EI-60, REMOVAL, Floor Mat.>
- 5) Remove the fuel delivery pipes and hoses, fuel return pipes and hoses, evaporation pipes and hoses.



FU-02426

Fuel Delivery, Return and Evaporation lines

FUEL INJECTION (FUEL SYSTEMS)

6) In engine compartment, detach the fuel delivery hoses, return hoses and evaporation hose.

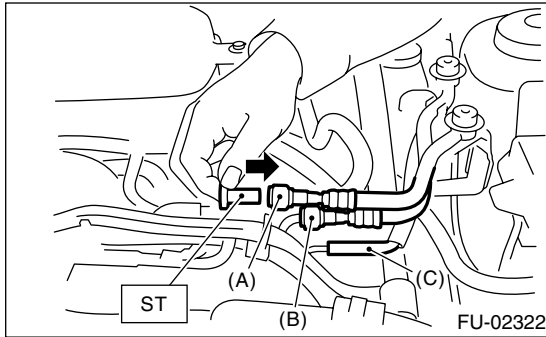
(1) Separate the quick connectors of fuel delivery line and return line by pushing the ST to the direction of arrow.

ST 42099AE000 CONNECTOR REMOVER

(2) Remove the clip, and separate the evaporation hose from pipe.

WARNING:

- Be careful not to spill fuel.
- Catch the fuel from hoses using a container or cloth.



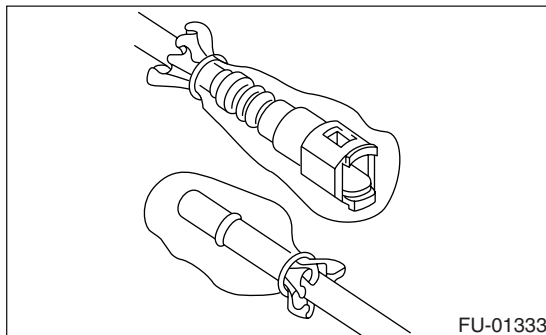
- (A) Fuel delivery hose
(B) Return hose
(C) Evaporation hose

7) Lift up the vehicle.

8) Separate the quick connector on fuel line.

(1) Clean the pipe and connector, if they are covered with dust.

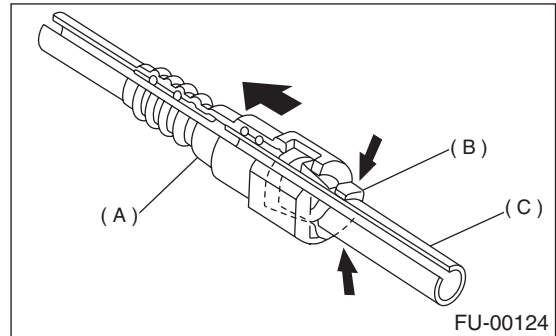
(2) To prevent from damaging or entering foreign matter, wrap the pipes and connectors with plastic bag, etc.



- (3) Hold the connector (A) and push retainer (B) down.
(4) Pull out the connector (A) from retainer (B).

CAUTION:

Use a new retainer except for use of engine compartment.



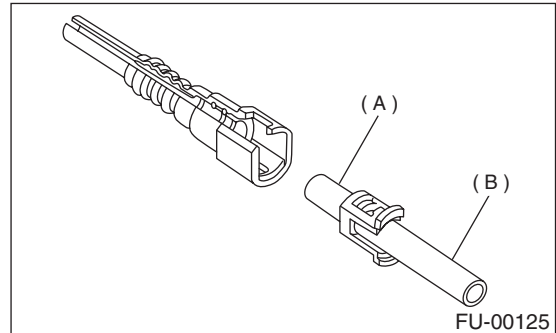
- (A) Connector
(B) Retainer
(C) Pipe

B: INSTALLATION

1) Connect the quick connector on fuel line.

CAUTION:

- Use a new retainer except for use of engine compartment.
- Make sure that the connected portion is not damaged or has dust. If necessary, clean seal surface of pipe.



- (A) Seal surface
(B) Pipe

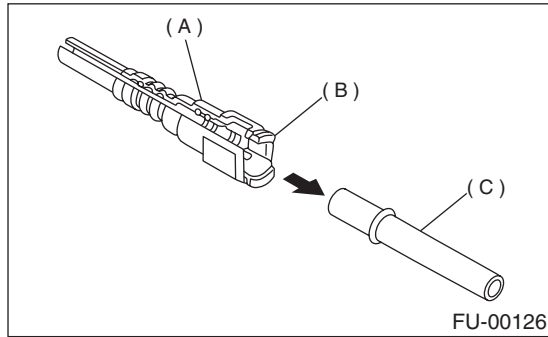
- (1) Set the new retainer (B) to connector (A).
(2) Push the pipe into the connector completely.

Fuel Delivery, Return and Evaporation lines

FUEL INJECTION (FUEL SYSTEMS)

NOTE:

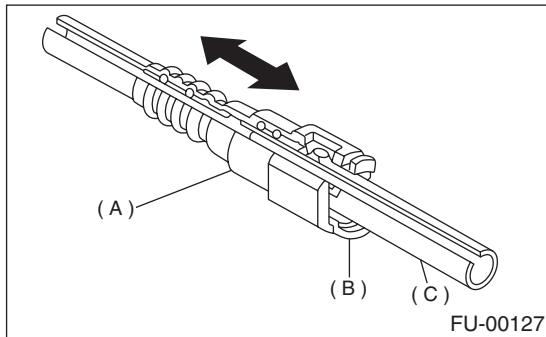
At this time, two clicking sounds are heard.



- (A) Connector
- (B) Retainer
- (C) Pipe

CAUTION:

- Pull the connector to ensure it is connected securely.
- Ensure the two retainer pawls are engaged in their mating positions in the connector.
- Be sure to inspect hoses and their connections for any leakage of fuel.



- (A) Connector
- (B) Retainer
- (C) Pipe

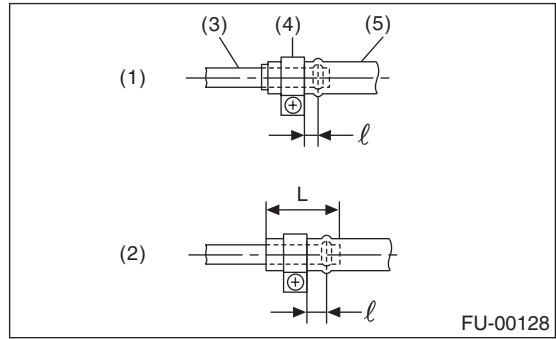
2) Connect the fuel delivery hose to the pipe with an overlap of 20 to 25 mm (0.79 to 0.98 in).

Type A: When the fitting length is specified.

Type B: When the fitting length is not specified.

$\phi : 2.5 \pm 1.5 \text{ mm } (0.098 \pm 0.059 \text{ in})$

$L : 22.5 \pm 2.5 \text{ mm } (0.886 \pm 0.098 \text{ in})$



- (1) Type A
- (2) Type B
- (3) Pipe
- (4) Clamp
- (5) Hose

3) Connect the return hose and evaporation hose to pipe by approx. 15 mm (0.59 in) from the hose end.

Fuel return hose:

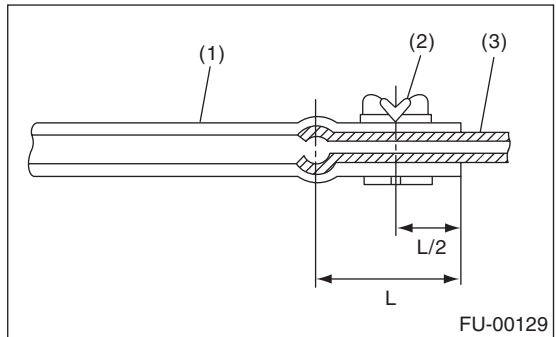
$L = 22.5 \pm 2.5 \text{ mm } (0.885 \pm 0.098 \text{ in})$

Fuel evaporation hose:

$L = 17.5 \pm 2.5 \text{ mm } (0.689 \pm 0.098 \text{ in})$

CAUTION:

Be sure to inspect hoses and their connections for any leakage of fuel.



- (1) Hose
- (2) Clip
- (3) Pipe

C: INSPECTION

- 1) Make sure that there are no cracks on the fuel pipes and fuel hoses.
- 2) Make sure that the fuel pipe and fuel hose connections are tight.

Fuel System Trouble in General

FUEL INJECTION (FUEL SYSTEMS)

34. Fuel System Trouble in General

A: INSPECTION

Trouble and possible cause		Corrective action
1. Insufficient fuel supply to injector		
1)	Fuel pump does not operate.	
	○ Defective terminal contact.	Inspect contact, especially ground, and tighten it securely.
	○ Trouble in electromagnetic or electronic circuit parts.	Replace the faulty parts.
2)	Lowering of fuel pump function.	Replace the fuel pump.
3)	Clogged dust or water in the fuel filter.	Replace fuel filter, clean or replace fuel tank.
4)	Clogged or bent fuel pipe or hose.	Clean, correct or replace the fuel pipe or hose.
5)	Air is mixed in the fuel system.	Inspect or retighten each connection part.
6)	Clogged or bent air breather tube or pipe.	Clean, correct or replace air breather tube or pipe.
7)	Damaged diaphragm of pressure regulator.	Replace.
2. Leakage or blow out of fuel		
1)	Loosened joints of the fuel pipe.	Retightening.
2)	Cracked fuel pipe, hose and fuel tank.	Replace.
3)	Defective welding part on the fuel tank.	Replace.
4)	Defective drain packing of the fuel tank.	Replace.
5)	Clogged air breather tube or air vent tube.	Clean, correct or replace air breather tube or air vent tube.
3. Gasoline smell inside of compartment		
1)	Loose joints at air breather tube, air vent tube and fuel filler pipe.	Retightening.
2)	Defective packing air tightness on the fuel saucer.	Correct or replace the packing.
3)	Inoperative fuel pump modulator or circuit.	Replace.
4. Defective fuel meter indicator		
1)	Defective operation of fuel level sensor.	Replace.
2)	Defective operation of fuel meter.	Replace.
5. Noise		
1)	Large operation noise or vibration of fuel pump.	Replace.

NOTE:

- When the vehicle is left unattended for an extended period of time, water may accumulate in the fuel tank. Fill fuel fully to prevent those problem. And also drain the water condensation from fuel filter.
- In snow-covered areas, mountainous areas, skiing areas, etc. where ambient temperatures drop below 0°C (32°F) throughout the winter season, use water removing agent in the fuel system to prevent freezing fuel system and accumulating water. Fill the water removing agent at the time when the fuel reduced at half to maintain the advantage.
- When water condensation is noticed in the fuel filter, drain the water from both the fuel filter and fuel tank or use water removing agent in the fuel tank.
- Before using a water removing agent, follow the cautions that noted on the bottle.