

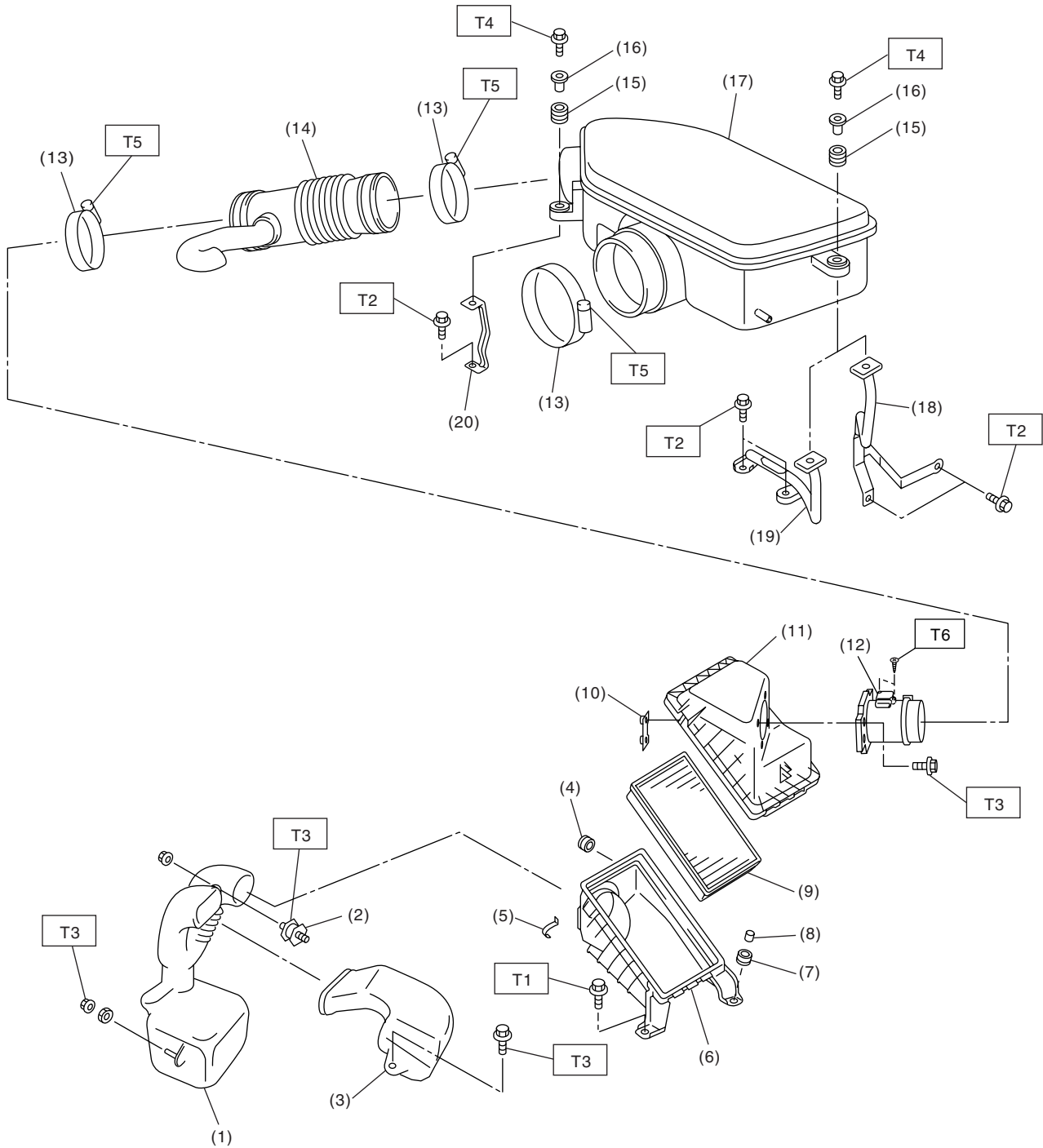
INTAKE (INDUCTION)

General Description

INTAKE (INDUCTION)

1. General Description

A: COMPONENT



IN-02114

General Description

INTAKE (INDUCTION)

| | |
|----------------------------|------------------------------|
| (1) Resonator chamber | (11) Air cleaner upper cover |
| (2) Cushion | (12) Air flow sensor |
| (3) Air intake duct | (13) Clamp |
| (4) Cushion | (14) Intake duct |
| (5) Clip | (15) Cushion |
| (6) Air cleaner lower case | (16) Spacer |
| (7) Cushion | (17) Air intake chamber |
| (8) Spacer | (18) Stay LH (MT model) |
| (9) Air cleaner element | (19) Stay LH (AT model) |
| (10) Guide | (20) Stay RH |

Tightening torque: N·m (kgf-m, ft-lb)

T1: 33 (3.4, 24.6)

T2: 16 (1.6, 11.6)

T3: 7.5 (0.76, 5.5)

T4: 6.5 (0.66, 4.8)

T5: 3.0 (0.3, 2.1)

T6: 1.0 (0.10, 0.7)

B: CAUTION

- Wear work clothing, including a cap, protective goggles, and protective shoes during operation.
- Remove contamination including dirt and corrosion before removal, installation or disassembly.
- Keep the disassembled parts in order and protect them from dust and dirt.
- Before removal, installation or disassembly, be sure to clarify the failure. Avoid unnecessary removal, installation, disassembly, and replacement.
- Be careful not to burn yourself, because each part on the vehicle is hot after running.
- Be sure to tighten fasteners including bolts and nuts to the specified torque.
- Place shop jacks or rigid racks at the specified points.
- Before disconnecting electrical connectors of sensor or units, be sure to disconnect the ground cable from battery.

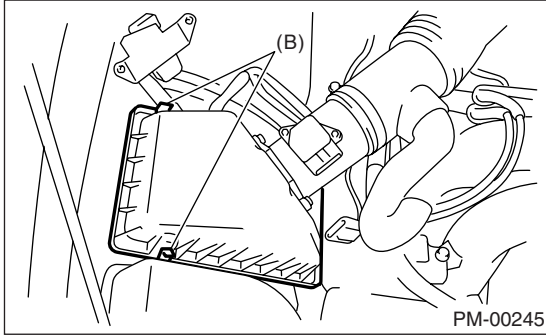
Air Cleaner Element

INTAKE (INDUCTION)

2. Air Cleaner Element

A: REMOVAL

1) Remove the clip (B) above air cleaner case.



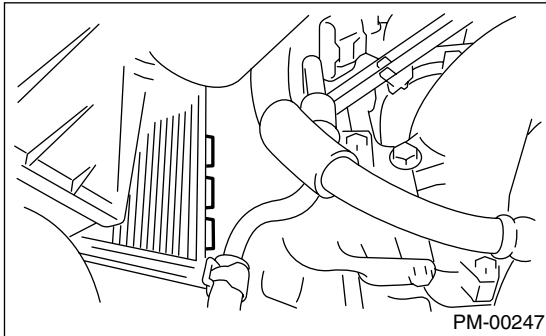
2) Remove the air cleaner element.

B: INSTALLATION

Install in the reverse order of removal.

NOTE:

Fasten it with a clip after inserting the lower tab of case.



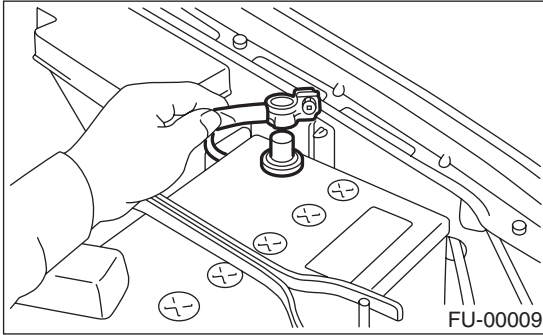
C: INSPECTION

Replace it if excessively damaged or dirty.

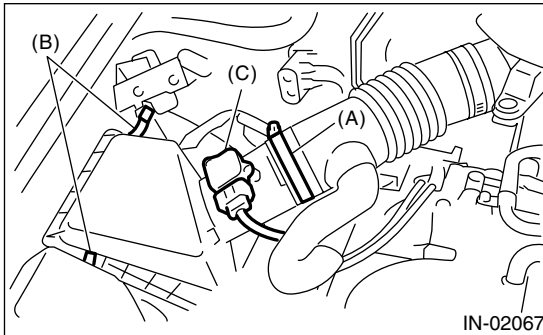
3. Air Cleaner Case

A: REMOVAL

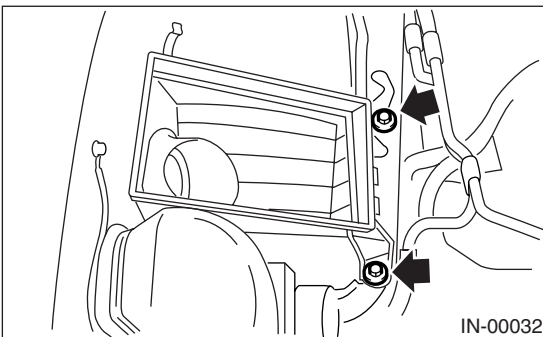
- 1) Disconnect the ground cable from battery.



- 2) Loosen the clamp (A) which connects the air cleaner case and intake duct.
- 3) Remove the clips (B) of air cleaner case.
- 4) Disconnect the connector (C) of air flow sensor.



- 5) Remove the intake duct and upper cover from air cleaner case.
- 6) Remove the air cleaner element.
- 7) Remove the bolts which install the air cleaner case to body.



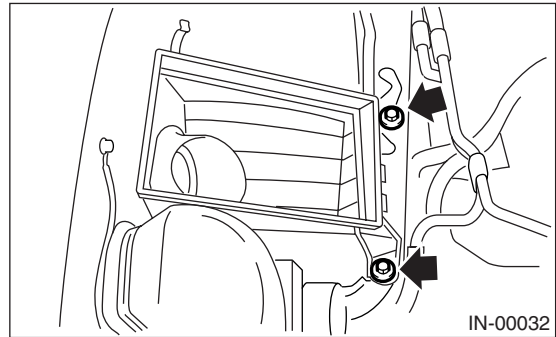
- 8) Remove the air cleaner case.

B: INSTALLATION

Install in the reverse order of removal.

Tightening torque:

33 N·m (3.4 kgf-m, 24.6 ft-lb)



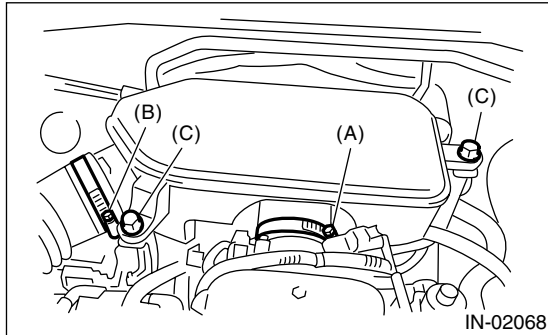
C: INSPECTION

Inspect for cracks and loose connections.

4. Air Intake Chamber

A: REMOVAL

- 1) Loosen the clamp (A) which connects the air intake chamber and throttle body.
- 2) Loosen the clamp (B) which connects the air intake chamber and intake duct.
- 3) Remove the bolts (C) which connects the air intake chamber to the stay.



- 4) Disconnect the two blow-by hoses, and then remove the air intake chamber.

B: INSTALLATION

Install in the reverse order of removal.

Tightening torque:

Clamp (A), (B)

3 N·m (0.3 kgf-m, 2.1 ft-lb)

Bolt (C)

6.5 N·m (0.66 kgf-m, 4.8 ft-lb)

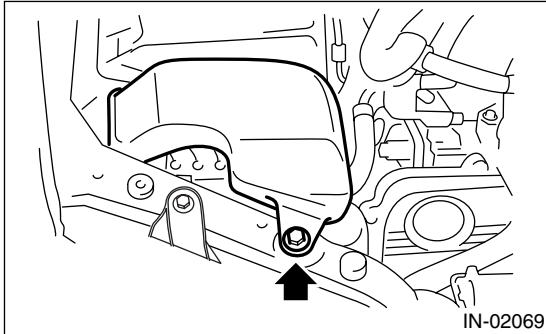
C: INSPECTION

- 1) Inspect for cracks and loose connections.
- 2) Inspect that no foreign objects are mixed in air intake chamber.

5. Air Intake Duct

A: REMOVAL

- 1) Remove the bolts which install the air intake duct on the front side of body.
- 2) Remove the air intake duct.



B: INSTALLATION

Install in the reverse order of removal.

Tightening torque:

7.5 N·m (0.76 kgf-m, 5.5 ft-lb)

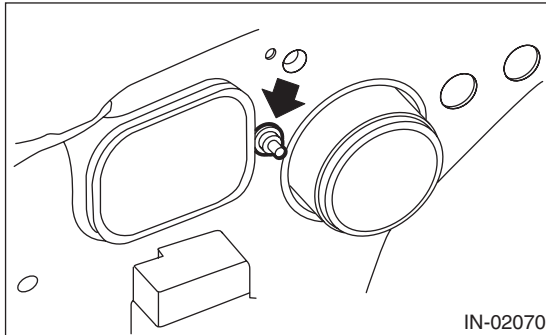
C: INSPECTION

- 1) Inspect for cracks and loose connections.
- 2) Inspect that no foreign objects are mixed in the air intake duct.

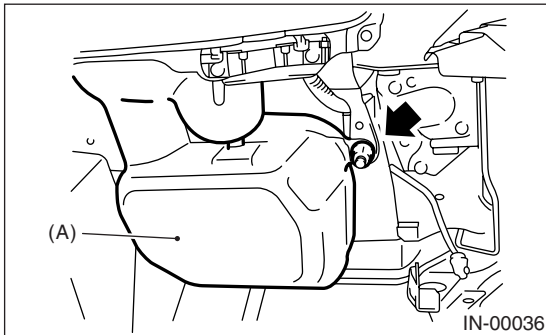
6. Resonator Chamber

A: REMOVAL

- 1) Set the vehicle on a lift.
- 2) Remove the air intake duct.
- 3) Remove the air cleaner lower case. <Ref. to IN(H4SO)-5, REMOVAL, Air Cleaner Case.>
- 4) Remove the resonator chamber mounting nut on the right side of engine compartment.



- 5) Lift-up the vehicle, and then remove the front wheel RH.
- 6) Remove the front mud guard RH.
- 7) Remove the resonator chamber (A) from inside front fender.



B: INSTALLATION

Install in the reverse order of removal.

Tightening torque:

7.5 N·m (0.76 kgf-m, 5.5 ft-lb)

C: INSPECTION

- 1) Inspect for cracks and loose connections.
- 2) Inspect that no foreign objects are mixed in resonator chamber.