

COMMUNICATION SYSTEM

1. General Description

A: CAUTION

- Before disassembling or reassembling parts, always disconnect the battery ground cable. When replacing radio, control module, and other parts provided with memory functions, record memory contents before disconnecting the battery ground cable. Otherwise, the memory will be erased.
- Reassemble in the reverse order of disassembly, unless otherwise indicated.
- Adjust parts to the given specifications.
- Connect the connectors and hoses securely during reassembly.
- After reassembly, make sure functional parts operate smoothly.

B: PREPARATION TOOL

1. GENERAL TOOLS

TOOL NAME	REMARKS
Circuit tester	Used for measuring resistance and voltage.

2. Horn System

A: WIRING DIAGRAM

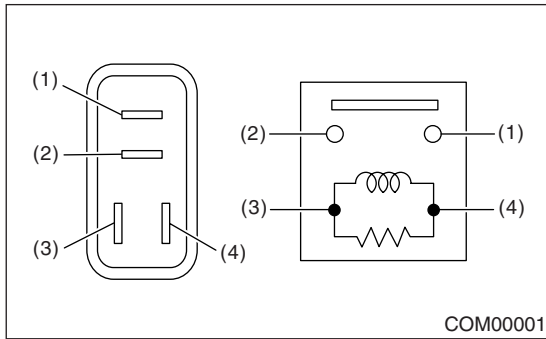
1. HORN

<Ref. to WI-143, WIRING DIAGRAM, Horn System.>

B: INSPECTION

1. HORN RELAY

Measure the horn relay resistance between terminals (indicated in table below) when connecting the terminal No. 4 to battery positive terminal and terminal No. 3 to battery ground cable.

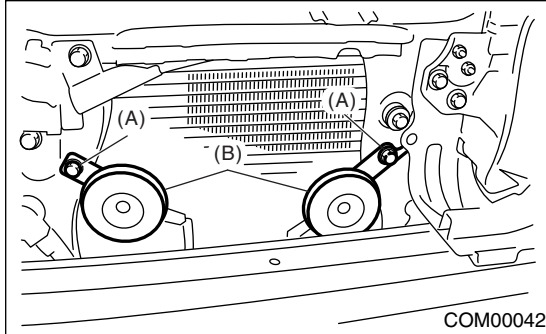


Current	Terminal No.	Standard
Flow	1 and 2	Less than 1 Ω
No Flow		More than 1 MΩ

3. Horn

A: REMOVAL

- 1) Disconnect the ground cable from battery.
- 2) Remove the front bumper. <Ref. to EI-24, REMOVAL, Front Bumper.>
- 3) Remove the horn bracket mounting bolt (A).
- 4) Disconnect the harness connector and remove the horn assembly (B).

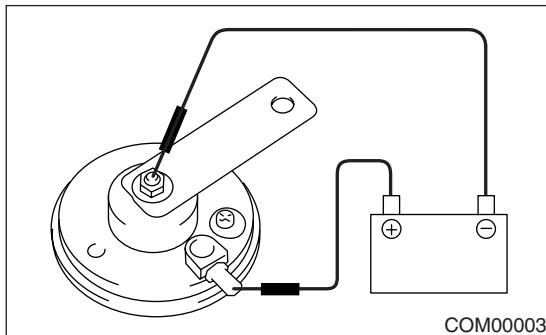


B: INSTALLATION

Install in the reverse order of removal.

C: INSPECTION

With 12 V direct current supplied between horn terminal and case ground, check that the horn sounds properly.



4. Horn Switch

A: REMOVAL

WARNING:

Before servicing, be sure to read the notes in AB section for proper handling of driver's airbag module. <Ref. to AB-3, CAUTION, General Description.>

NOTE:

Horn switch forms a unit with the driver's airbag module.

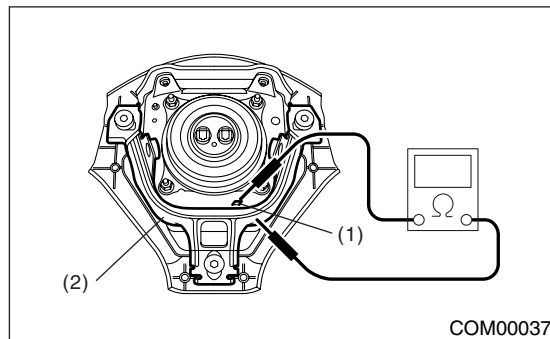
- 1) Disconnect the ground cable from battery.
- 2) Remove the driver's airbag module. <Ref. to AB-14, REMOVAL, Driver's Airbag Module.>

B: INSTALLATION

Install in the reverse order of removal.

C: INSPECTION

Measure the resistance between horn switch terminal and airbag module bracket.



- (1) Horn switch terminal
- (2) Airbag module bracket

Switch position	Terminal No.	Resistance
When airbag module bracket is pushed.	Horn switch terminal and Airbag module bracket	Less than 1 Ω
When airbag module bracket is not pushed.		More than 1 M Ω

Horn Switch

COMMUNICATION SYSTEM
