

ENTERTAINMENT

1. General Description

A: CAUTION

- Before disassembling or reassembling parts, always disconnect the battery ground cable. When replacing the audio, control unit, and other parts provided with memory functions, record memory contents before disconnecting the battery ground cable. Otherwise, the memory will be erased.
- Reassemble in reverse order of disassembly, unless otherwise indicated.
- Adjust parts to the given specifications.
- Connect the connectors and hoses securely during reassembly.
- After reassembly, make sure functional parts operate smoothly.

B: PREPARATION TOOL

1. GENERAL TOOL

TOOL NAME	Remarks
Circuit tester	Used for measuring resistance and voltage.
Conductive silver composition (DUPONT No. 4817 or equivalent)	Used for repairing antenna wire.

2. Audio System

A: WIRING DIAGRAM

<Ref. to WI-139, WIRING DIAGRAM, Audio System.>

B: INSPECTION

Symptom	Repair order
No power coming in. (No display and no sound from speakers))	(1) Check the fuse and power supply for audio. (2) Check the audio ground. (3) Remove the audio and repair it.
A specific speaker does not operate.	(1) Check the speaker. (2) Check the output circuit between audio and speaker.
Audio generates noise with engine running.	(1) Check the audio ground. (2) Check the generator. (3) Check the ignition coil. (4) Remove the audio and repair it.
AM and FM modes are weak or noisy.	(1) Check the antenna. (2) Check the antenna amplifier. (3) Check the noise suppressor. (4) Check the audio ground. (5) Remove the audio and repair it.

3. Front Accessory Power Supply Socket System

A: WIRING DIAGRAM

<Ref. to WI-141, WIRING DIAGRAM, Front Accessory Power Supply Socket System.>

4. Rear Accessory Power Supply Socket System

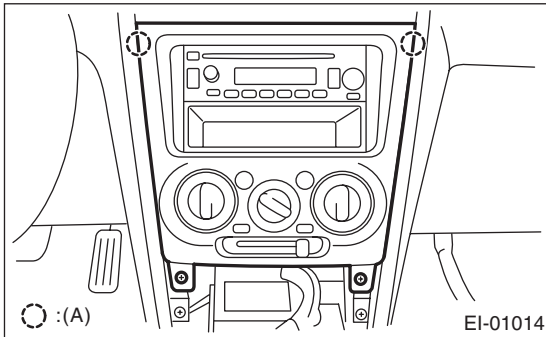
A: WIRING DIAGRAM

<Ref. to WI-142, WIRING DIAGRAM, Rear Accessory Power Supply Socket System.>

5. Audio

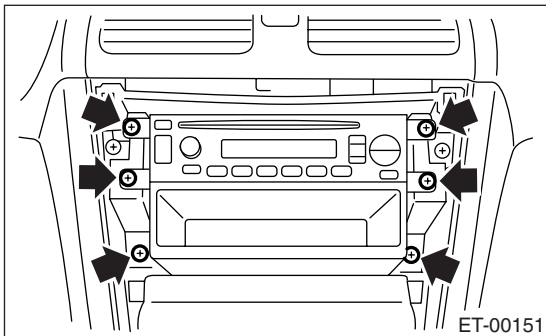
A: REMOVAL

- 1) Disconnect the ground cable from battery.
- 2) Remove the console front panel.
- 3) Remove the center panel while disconnecting connector.



(A) Hook pawl

- 4) Remove the fitting screws, and slightly pull out the audio from center console.



- 5) Disconnect the harness connectors and antenna feeder cord.

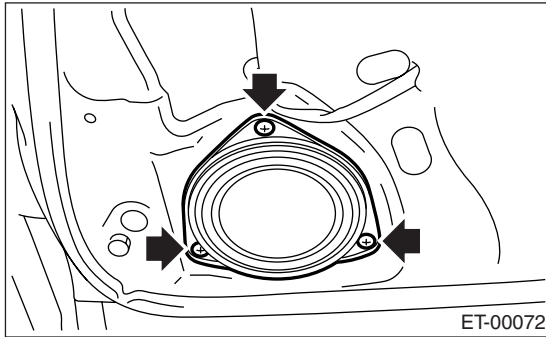
B: INSTALLATION

Install in the reverse order of removal.

6. Front Speaker

A: REMOVAL

- 1) Disconnect the ground cable from battery.
- 2) Remove the front door trim. <Ref. to EI-41, REMOVAL, Front Door Trim.>
- 3) Remove the front speaker mounting screws.



- 4) Disconnect the harness connector and remove front speaker.

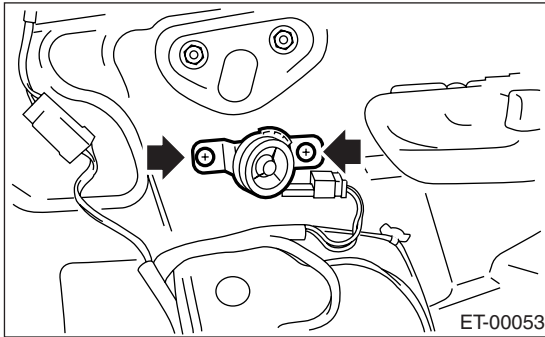
B: INSTALLATION

Install in the reverse order of removal.

7. Tweeter

A: REMOVAL

- 1) Disconnect the ground cable from battery.
- 2) Remove the front door trim. <Ref. to EI-41, REMOVAL, Front Door Trim.>
- 3) Remove the tweeter mounting screws.



- 4) Disconnect the harness connector and remove tweeter.

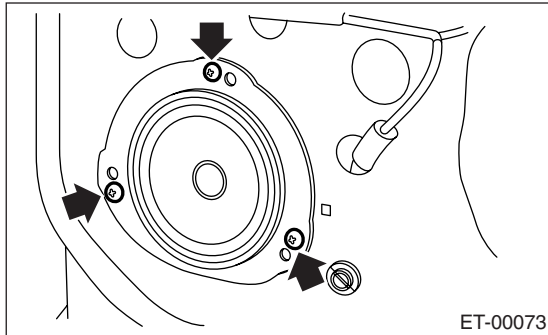
B: INSTALLATION

Install in the reverse order of removal.

8. Rear Speaker

A: REMOVAL

- 1) Disconnect the ground cable from battery.
- 2) Remove the rear door trim. <Ref. to EI-42, REMOVAL, Rear Door Trim.>
- 3) Remove the rear speaker mounting screws.



- 4) Disconnect the harness connector and remove rear speaker.

B: INSTALLATION

Install in the reverse order of removal.

9. Antenna

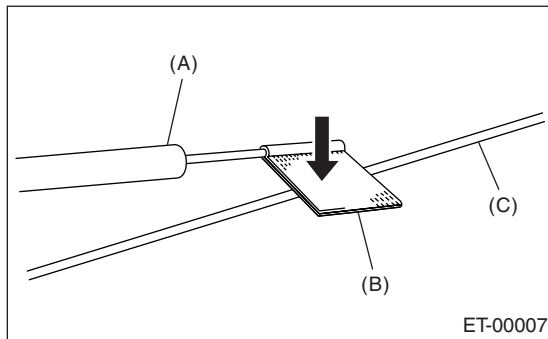
A: INSPECTION

Measure the resistance between antenna terminal and each antenna wire.

If an antenna wire is OK, resistance will be less than 1 Ω . If an antenna wire is broken, the resistance will be more than 1 M Ω .

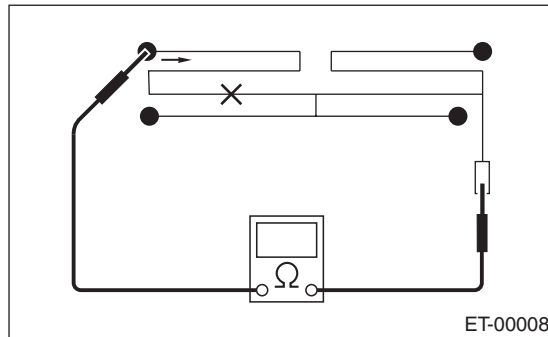
NOTE:

When checking the continuity, wind a piece of aluminum foil around the tip of tester probe, and then press the aluminum foil against wire with your finger.



- (A) Tester probe
- (B) Aluminum foil
- (C) Antenna wire

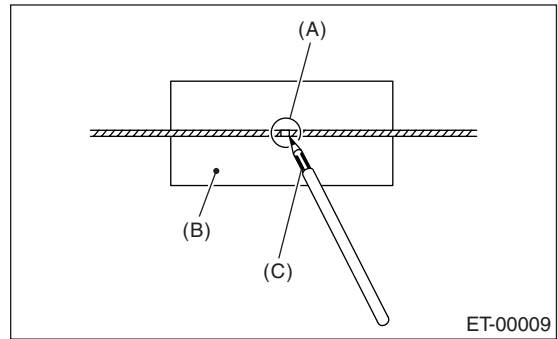
To locate the broken point, move the probe along antenna wire.



B: REPAIR

- 1) Clean the antenna wire and surrounding area with a cloth dampened by alcohol.
- 2) Paste a thin masking film on the glass along broken wire.

- 3) Deposit conductive silver composition (DUPONT No. 4817) on the broken portion with a drawing pen.



- (A) Broken portion
- (B) Masking film
- (C) Conductive silver composition

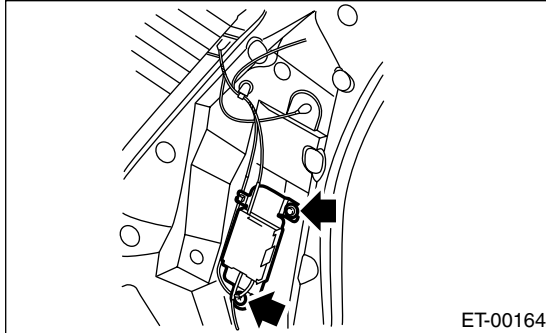
- 4) Dry out the deposited portion.
- 5) After repair has been completed, measure the resistance in repaired wire.

10. Antenna Amplifier

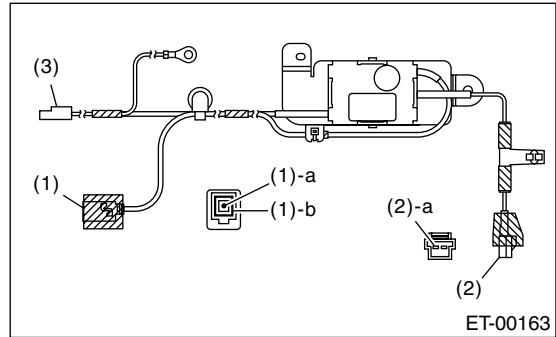
A: REMOVAL

1. SEDAN

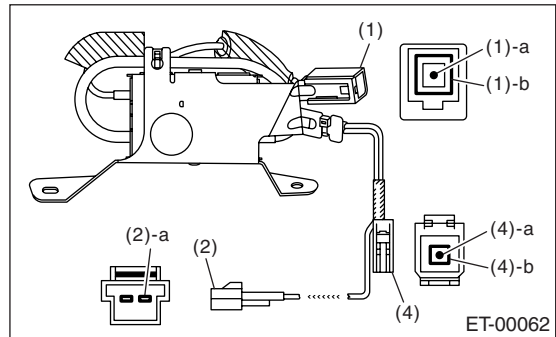
- 1) Disconnect the ground cable from battery.
- 2) Remove the rear pillar upper trim. <Ref. to EI-52, SEDAN MODEL, REMOVAL, Rear Quarter Trim.>
- 3) Disconnect the harness connector and terminal.
- 4) Remove the mounting screw and bolt, and detach antenna amplifier.



• SEDAN

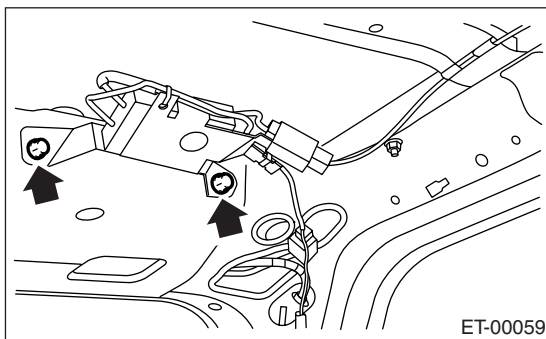


• WAGON



2. WAGON

- 1) Disconnect the ground cable from battery.
- 2) Remove the rear quarter upper trim and roof trim. <Ref. to EI-55, WAGON MODEL, REMOVAL, Roof Trim.> <Ref. to EI-52, WAGON MODEL, REMOVAL, Rear Quarter Trim.>
- 3) Disconnect the harness connector and terminal.
- 4) Remove the mounting screws and detach the antenna amplifier.



Terminal No.	Standard
1-a and Amplifier body	More than 100 k Ω
1-b and Amplifier body	Less than 1 Ω
2-a and Amplifier body	More than 100 k Ω
3 and Amplifier body	More than 100 k Ω
4-a and Amplifier body	More than 100 k Ω
4-b and Amplifier body	Less than 1 Ω

B: INSTALLATION

Install in the reverse order of removal.

C: INSPECTION

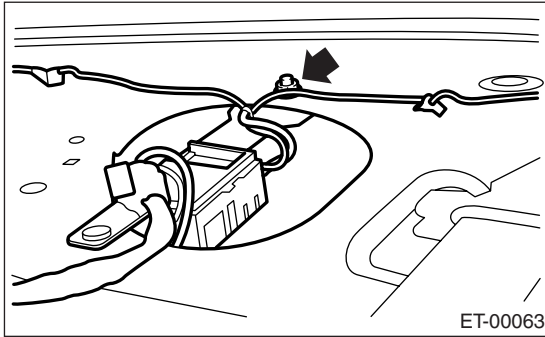
Measure the antenna amplifier resistance.

11.Noise Suppressor

A: REMOVAL

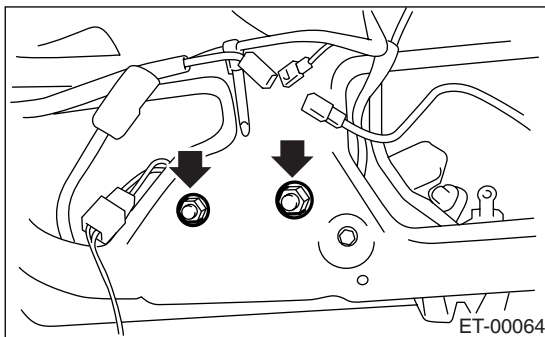
1. SEDAN

- 1) Disconnect the ground cable from battery.
- 2) Remove the rear pillar upper trim. <Ref. to EI-52, SEDAN MODEL, REMOVAL, Rear Quarter Trim.>
- 3) Remove the rear shelf trim. <Ref. to EI-58, REMOVAL, Rear Shelf Trim.>
- 4) Disconnect the feeder cord connector from antenna amplifier.
- 5) Disconnect the harness connector of noise suppressor from terminal on glass antenna.
- 6) Remove the harness clip.
- 7) Remove the mounting nut and detach the noise suppressor.



2. WAGON

- 1) Disconnect the ground cable from battery.
- 2) Remove the rear gate trim. <Ref. to EI-57, REMOVAL, Rear Gate Trim.>
- 3) Disconnect the connector from noise suppressor.
- 4) Remove the mounting nut and detach the noise suppressor.



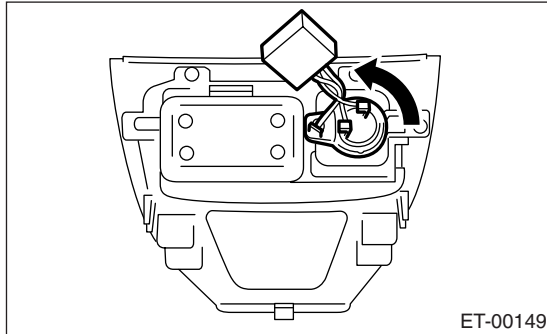
B: INSTALLATION

Install in the reverse order of removal.

12. Front Accessory Power Supply Socket

A: REMOVAL

- 1) Disconnect the ground cable from battery.
- 2) Remove the console front panel.
- 3) Disconnect the harness connectors and remove front accessory power supply socket.



B: INSTALLATION

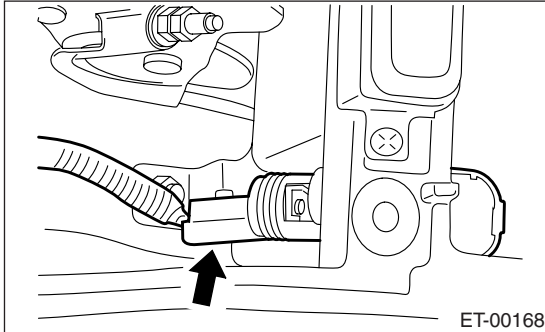
Install in the reverse order of removal.

13. Rear Accessory Power Supply Socket

A: REMOVAL

1. FRONT

- 1) Disconnect the ground cable from battery.
- 2) Remove the console cover. <Ref. to EI-46, REMOVAL, Console Box.>
- 3) Disconnect the harness connectors and remove accessory power supply socket.



B: INSTALLATION

Install in the reverse order of removal.