

SEAT

General Description

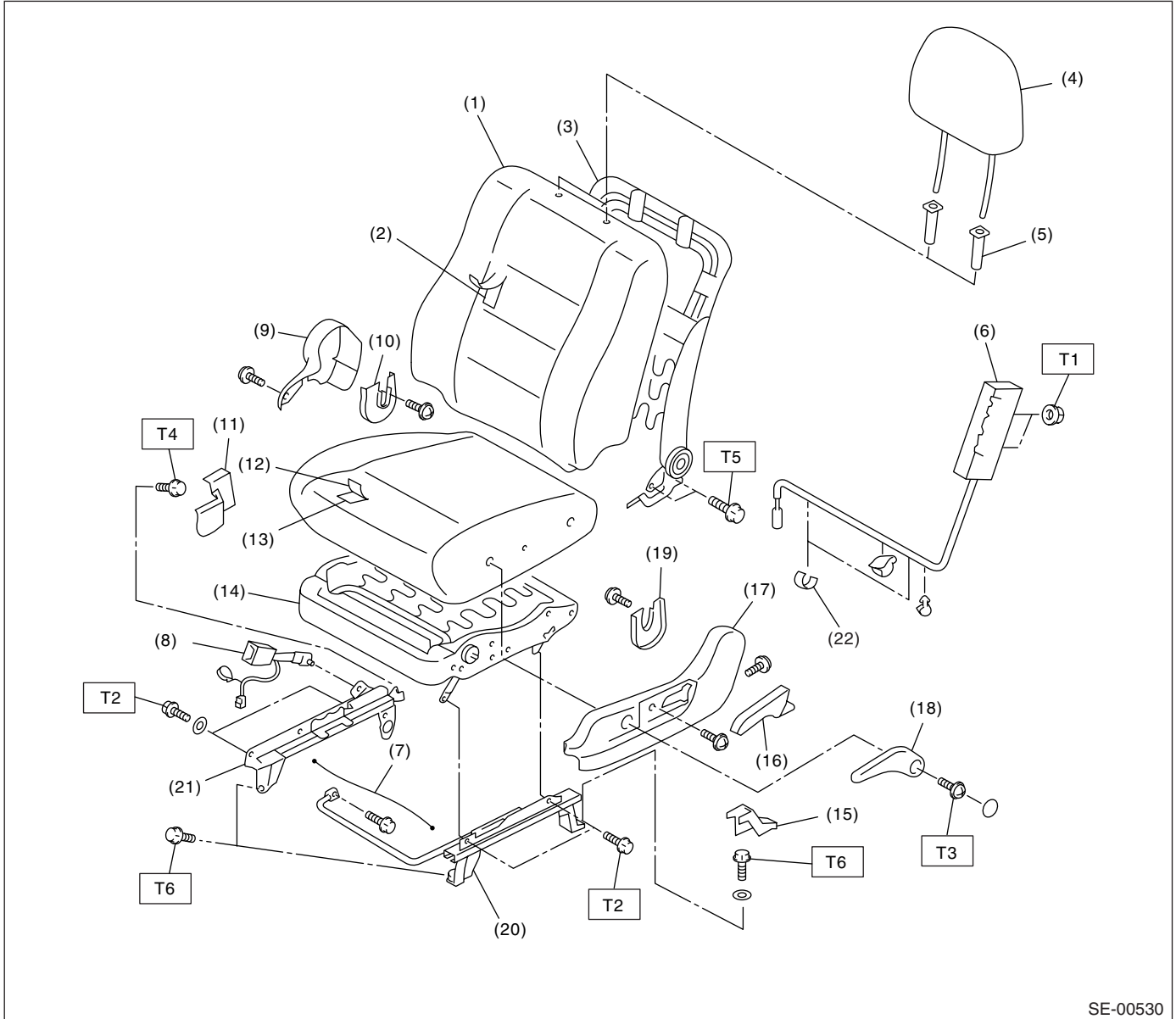
SEATS

1. General Description

A: COMPONENT

1. FRONT SEAT

- Driver's seat



- | | |
|--------------------------------|--------------------------------|
| (1) Backrest cover | (12) Seat cushion cover |
| (2) Backrest pad | (13) Seat cushion pad |
| (3) Backrest frame ASSY | (14) Seat cushion frame ASSY |
| (4) Headrest ASSY | (15) Bolt cover outer |
| (5) Headrest lock bushing | (16) Reclining lever |
| (6) Side airbag module | (17) Seat hinge outer cover |
| (7) Connecting wire | (18) Lifter lever |
| (8) Inner belt | (19) Seat hinge inner cover RH |
| (9) Seat hinge inner cover | (20) Outer slide rail |
| (10) Seat hinge inner cover LH | (21) Inner slide rail |
| (11) Bolt cover inner | (22) Tape |

Tightening torque: N-m (kgf-m, ft-lb)

T1: 5.9 (0.60, 4.35)

T2: 10 (1.02, 7.38)

T3: 22 (2.24, 16.2)

T4: 30 (3.06, 22.1)

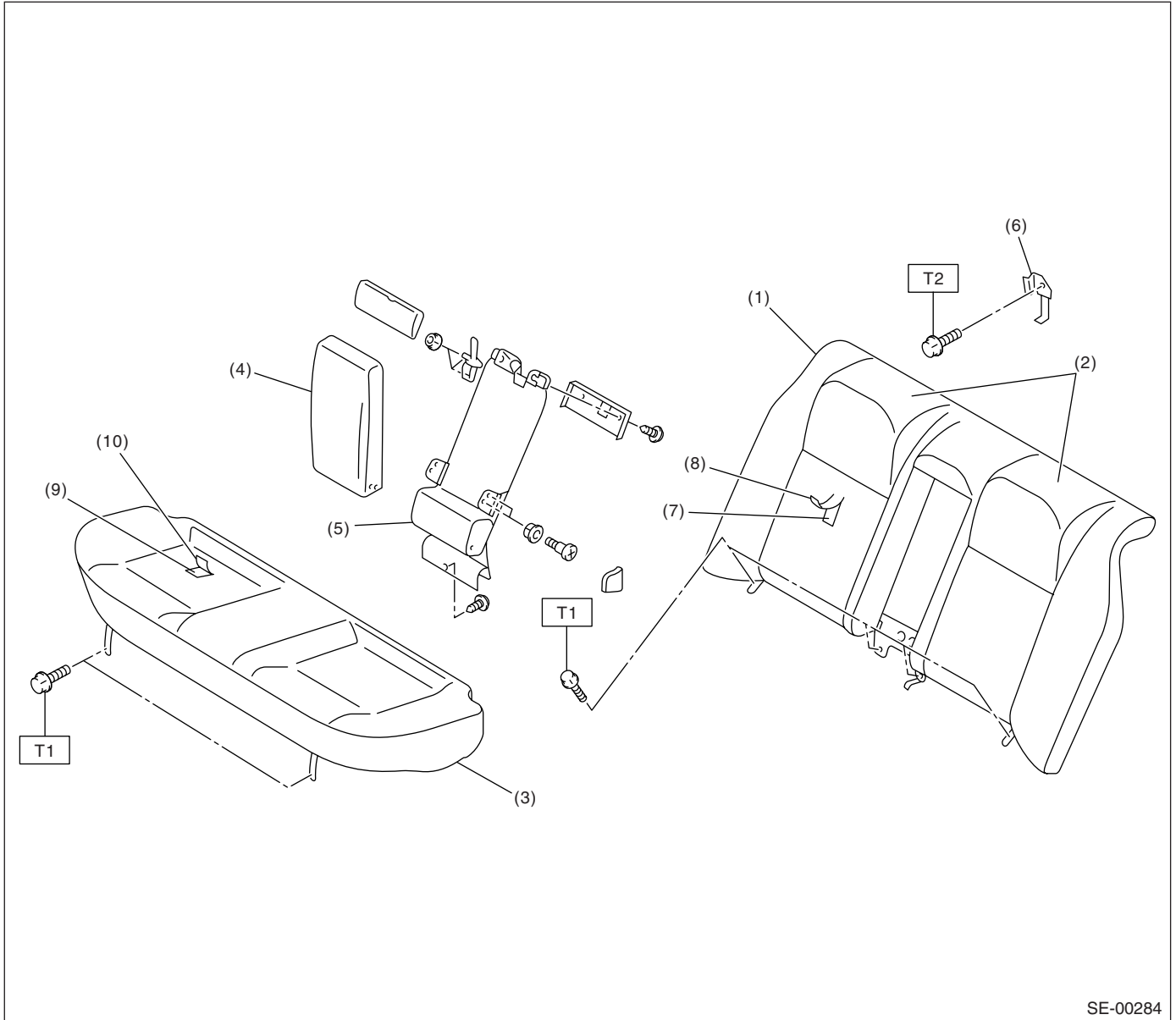
T5: 52 (5.30, 38.4)

T6: 53 (5.40, 39.1)

General Description

SEATS

2. REAR SEAT (SEDAN MODEL)



- (1) Backrest
- (2) Headrest
- (3) Cushion
- (4) Armrest
- (5) Center through frame

- (6) Hook
- (7) Backrest pad ASSY
- (8) Backrest cover ASSY
- (9) Rear pad & cushion frame ASSY

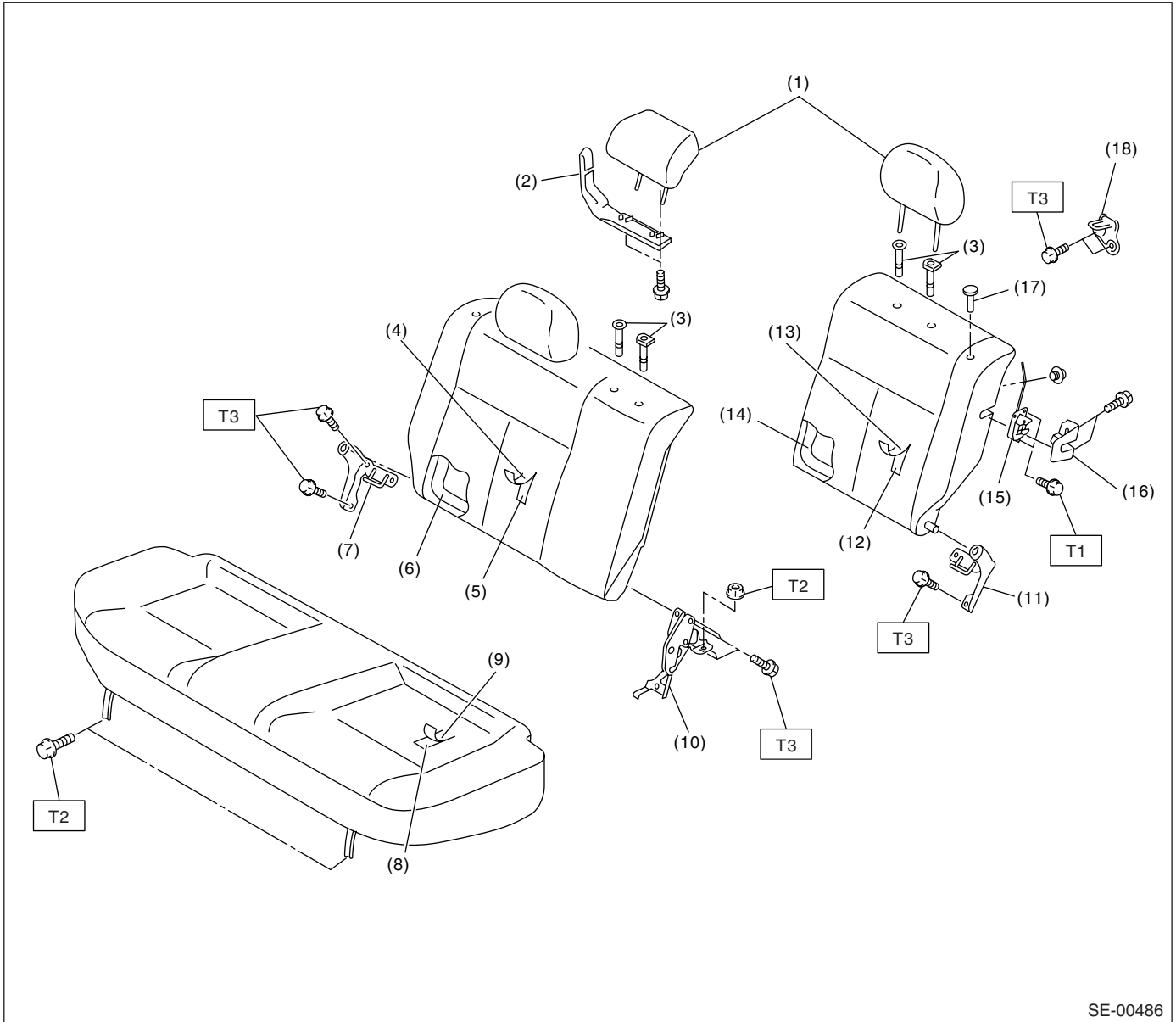
- (10) Rear cushion cover

Tightening torque: N·m (kgf·m, ft·lb)

T1: 10 (1.02, 7.38)

T2: 24.5 (2.5, 18.1)

3. REAR SEAT (WAGON MODEL)



SE-00486

- | | |
|-----------------------|----------------------------|
| (1) Headrest | (9) Seat cushion cover |
| (2) Seat belt guide | (10) Hinge ASSY CTR |
| (3) Headrest bushing | (11) Hinge ASSY LH |
| (4) Backrest cover RH | (12) Backrest pad LH |
| (5) Backrest pad RH | (13) Backrest cover LH |
| (6) Backrest frame RH | (14) Backrest frame LH |
| (7) Hinge ASSY RH | (15) Seat back latch |
| (8) Seat cushion pad | (16) Seat back latch cover |

- | |
|--------------------|
| (17) Backrest knob |
| (18) Striker |

Tightening torque: N-m (kgf-m, ft-lb)

T1: 17.7 (1.81, 13.1)

T2: 24.5 (2.5, 18.1)

T3: 33 (3.3, 24.6)

General Description

SEATS

B: CAUTION

- If the seat cushion cover has been removed or replaced, be sure to perform the system calibration for occupant detection system after installing seat to the vehicle. <Ref. to OD(diag)-19, SYSTEM CALIBRATION (REZEROING), OPERATION, Subaru Select Monitor.>

Failure to do so may cause improper operation of occupant detection system.

- Never remove the occupant detection control module of occupant detection system (passenger's side only) or pressure sensor from seat cushion frame since the control module and occupant detection sensor are fixed to the seat cushion frame.
- Do not replace the seat cushion pad as a single unit. Be sure to replace the seat cushion pad and frame assembly together. Since the seat cushion pad and cushion frame have been adjusted at factory, installing them together with parts for other vehicle or ones of other set may cause improper operation of occupant detection system.
- If the seat cushion cover has been removed, be sure to replace wire on the seat cushion cover side with a new one. (Passenger's seat)
- Do not remove the seat position sensor from seat rail. (Driver's seat)
- When removing the front seat, follow cautions given in the airbag section. <Ref. to AB-3, CAUTION, General Description.>

C: PREPARATION TOOL

1. GENERAL TOOL

TOOL NAME	Remarks
Long nose pliers	Used for removing hog ring.
Hog ring pliers	Used for installing hog ring.

2. Front Seat

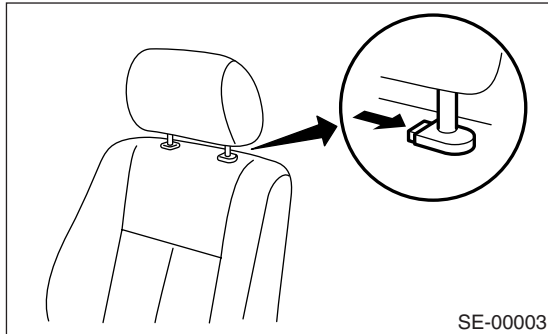
A: REMOVAL

1) Disconnect the ground cable from battery.

CAUTION:

The airbag system is fitted with a backup power source. If the airbag system is serviced within 20 seconds after the ground cable is disconnected, it may inflate.

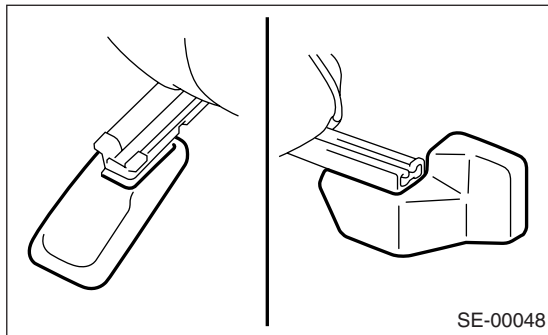
2) While pressing the headrest lock button, remove the headrest.



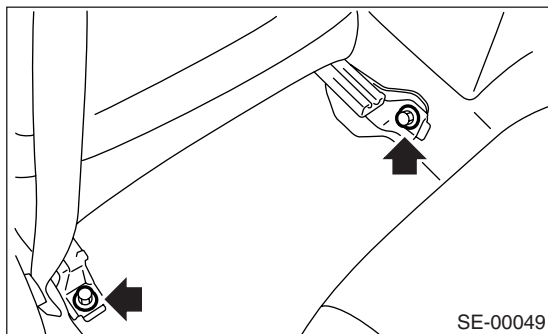
3) Tilt forward the backrest.

4) Move the seat to full front end.

5) Remove the bolt cover at rear end of slide rail.

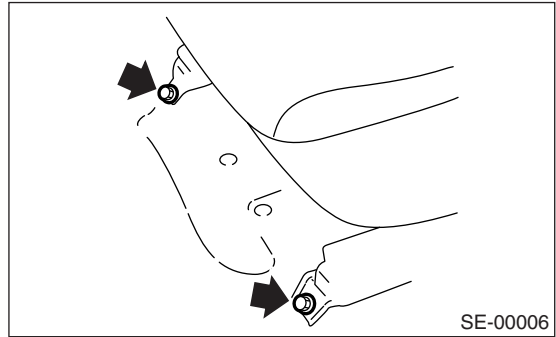


6) Remove the two bolts at rear side of seat rail.



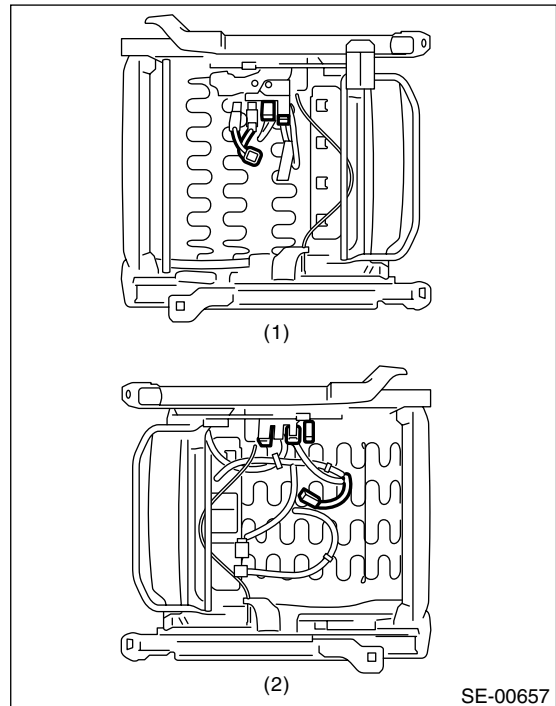
7) Move the seat to full rear end.

8) Remove the two bolts at front side of seat rail.



9) Disconnect the connector under seat.

- Seat position sensor connector (Driver's seat)
- Seat belt buckle switch connector (Driver's seat)
- Occupant detection control module harness connector (Passenger's seat)
- Side airbag connector
- Seat heater connector (with seat heater)



(1) Driver's seat

(2) Passenger's seat

10) Remove the front seat from vehicle.

Front Seat

SEATS

B: INSTALLATION

Install in the reverse order of removal.

CAUTION:

After driver's seat installation, check that the seat position sensor LH operates normally using Subaru Select Monitor.

<Ref. to AB(diag)-29, STATUS DATA DISPLAY, OPERATION, Subaru Select Monitor.>

Tightening torque:

Refer to **COMPONENT** in **General Description**. <Ref. to SE-2, FRONT SEAT, COMPONENT, General Description.>

C: DISASSEMBLY

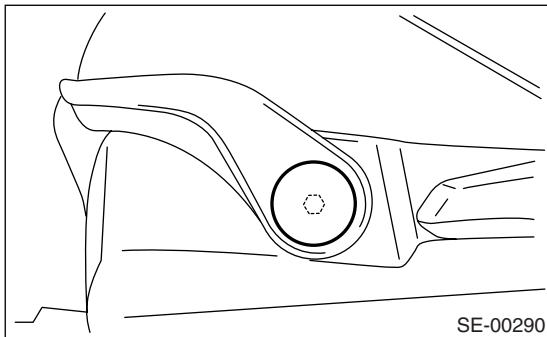
CAUTION:

Refer to **CAUTION** in **General Description** before starting the work. <Ref. to SE-6, CAUTION, General Description.>

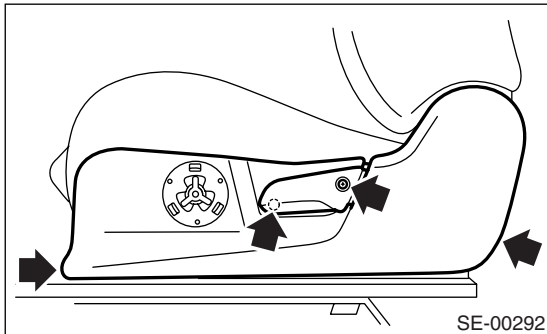
1. STANDARD SEAT

1) Remove the seat from vehicle. <Ref. to SE-7, REMOVAL, Front Seat.>

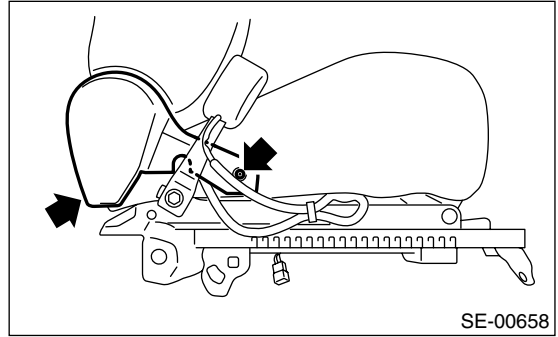
2) Remove the seat lifter cover using a flat tip screwdriver or equivalent, and then loosen the inside bolt to remove seat lifter lever.



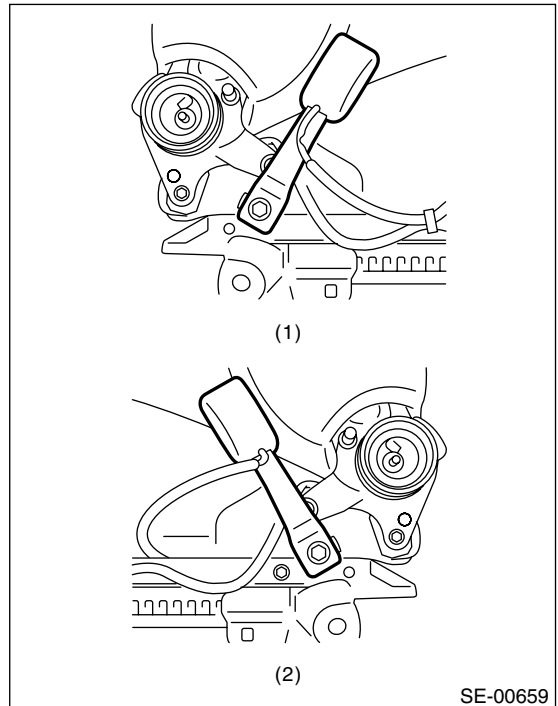
3) Remove the reclining lever and seat hinge outer cover.



4) Remove the seat hinge inner cover.

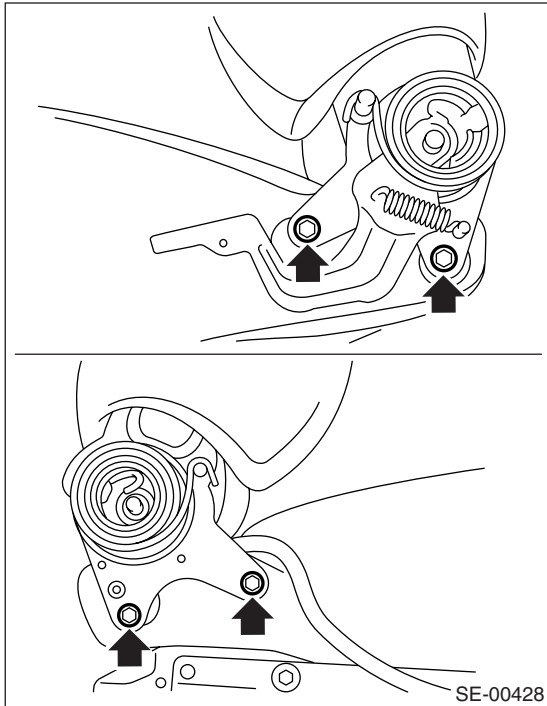


5) Remove the inner belt.

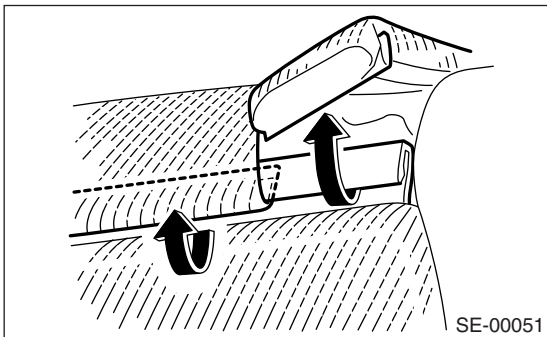


- (1) Driver's seat
- (2) Passenger's seat

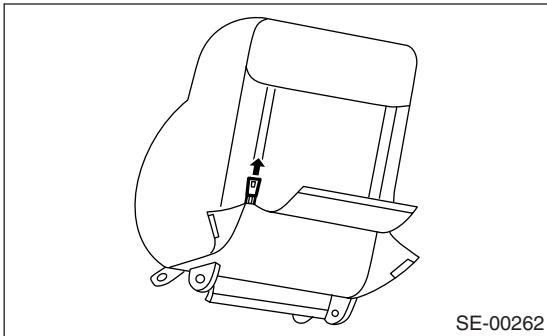
6) Remove two bolts from reclining hinge on each side.



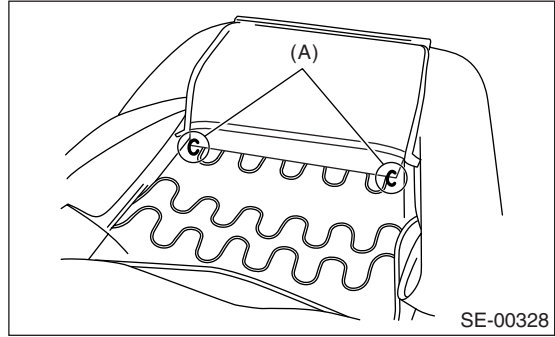
7) Remove the hook at the bottom-back side of backrest.



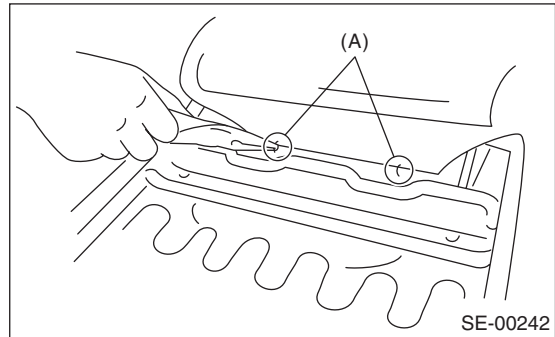
8) Open the zipper behind of backrest.



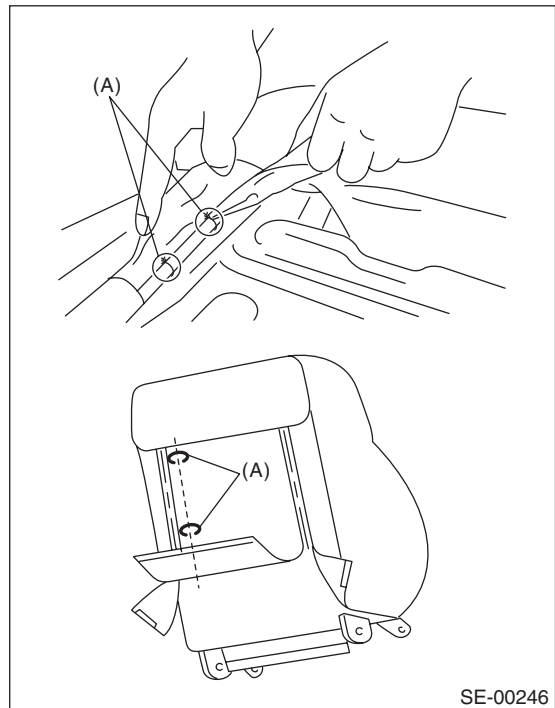
9) Remove the hog rings (A) of backrest cover.



10) Remove the hog rings (A) which secure the backrest cover and backrest pad.



11) Open the zipper behind of backrest cover, and then remove the hog rings (A) at the side-inner part of backrest from backrest frame.



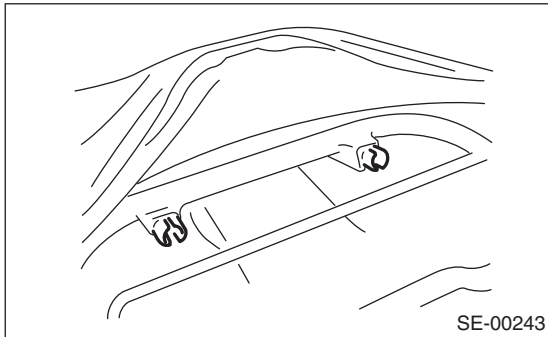
Front Seat

SEATS

12) Remove the headrest bushings.

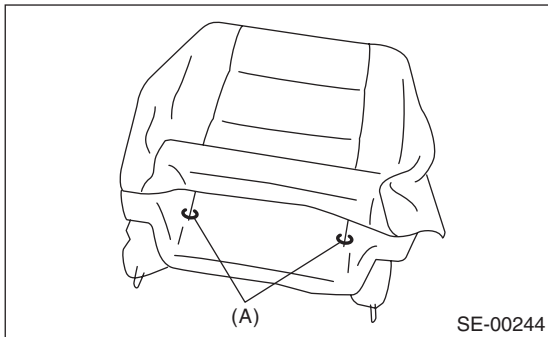
NOTE:

Push the headrest bushings out from seat inside, and then remove them.

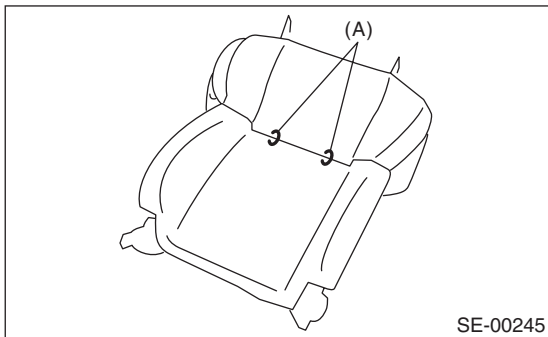


13) Pull out the backrest frame.

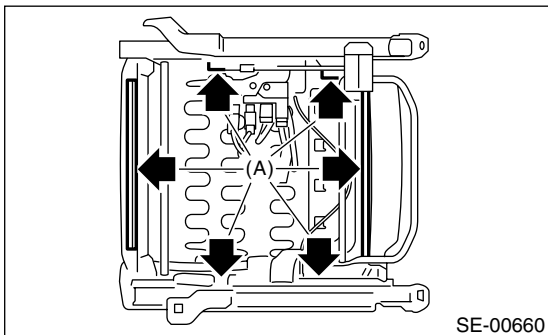
14) Remove the hog rings (A) at the front-bottom of seat back.



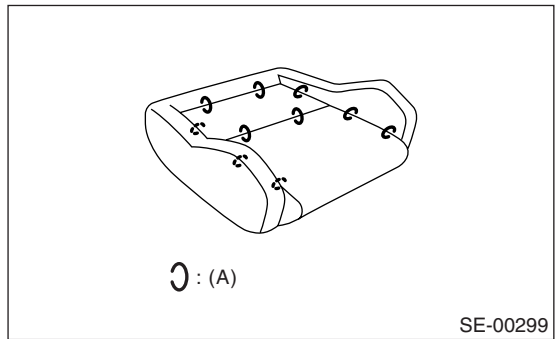
15) Remove the hog rings (A) at the seat back front, and then remove the seat back cover from seat back.



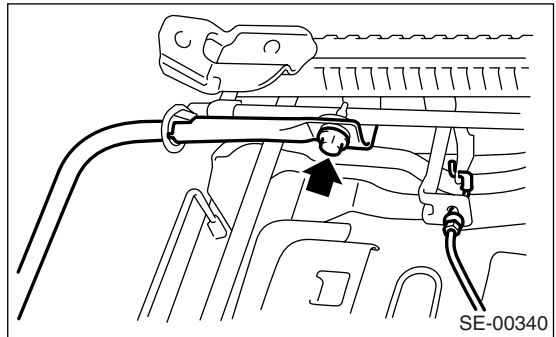
16) Remove the hooks (A), and then remove the seat cushion frame assembly.



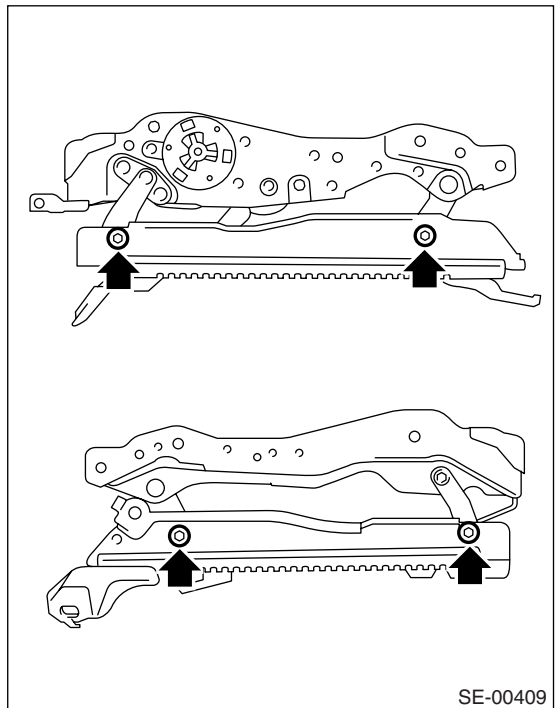
17) Remove the hog rings (A), and then remove the seat cushion cover from seat cushion pad.



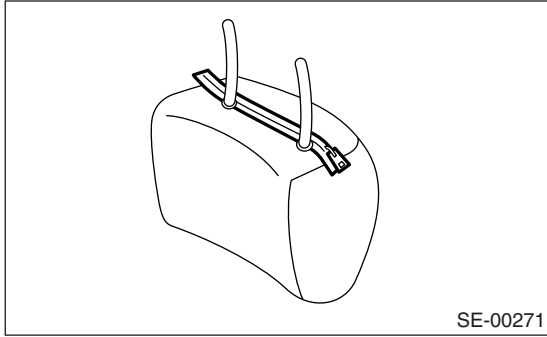
18) Remove the bolt of sliding adjustment bar and connecting wire.



19) Remove the bolts, and then remove the slide rail.



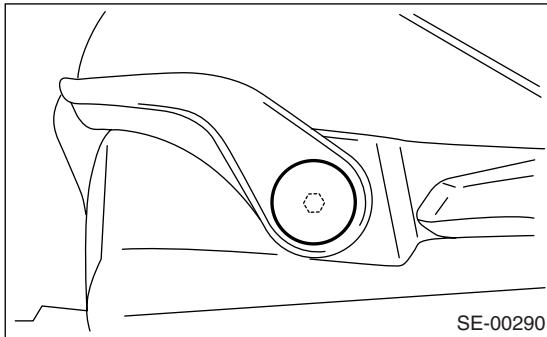
20) Open the zipper at bottom of headrest, and then remove the headrest cover from headrest.



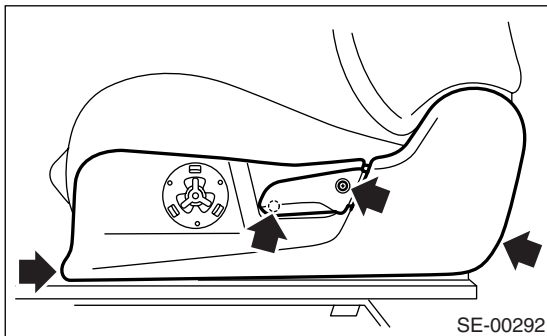
2. BUCKET TYPE SEAT

1) Remove the seat from vehicle. <Ref. to SE-7, REMOVAL, Front Seat.>

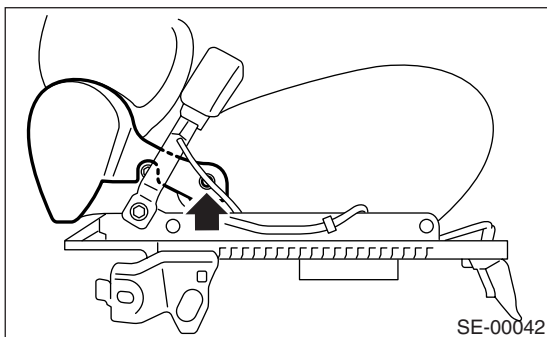
2) Remove the seat lifter cover using a flat tip screwdriver or equivalent, and then loosen inside bolt to remove seat lifter lever.



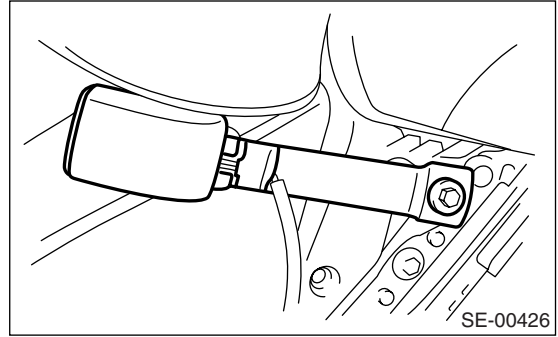
3) Remove the reclining lever and seat hinge outer cover.



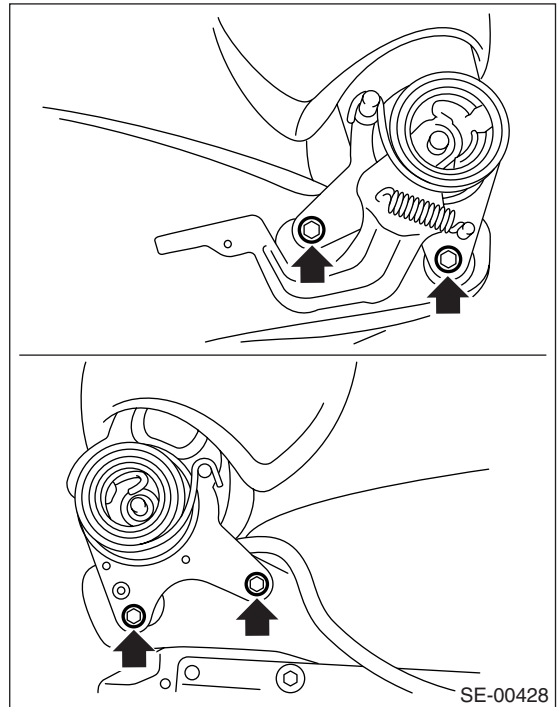
4) Remove the seat hinge inner cover.



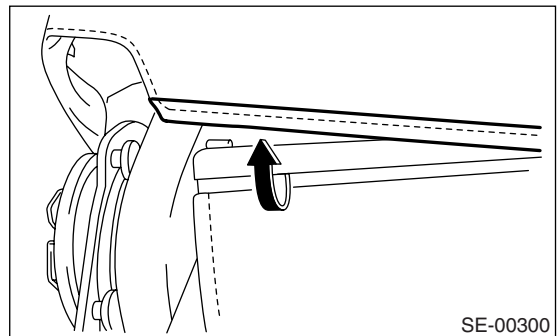
5) Remove the inner belt.



6) Remove two bolts from reclining hinge on each side.



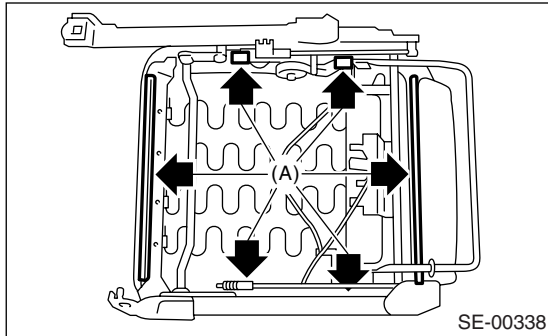
7) Remove the hook at the bottom-back side of backrest.



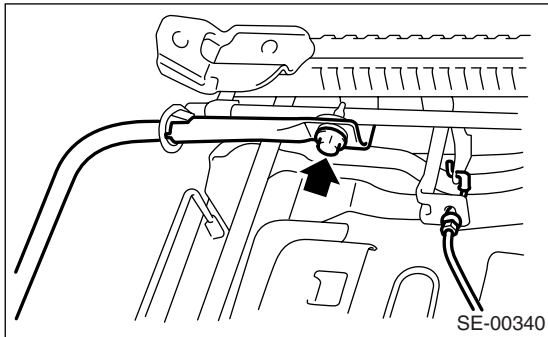
Front Seat

SEATS

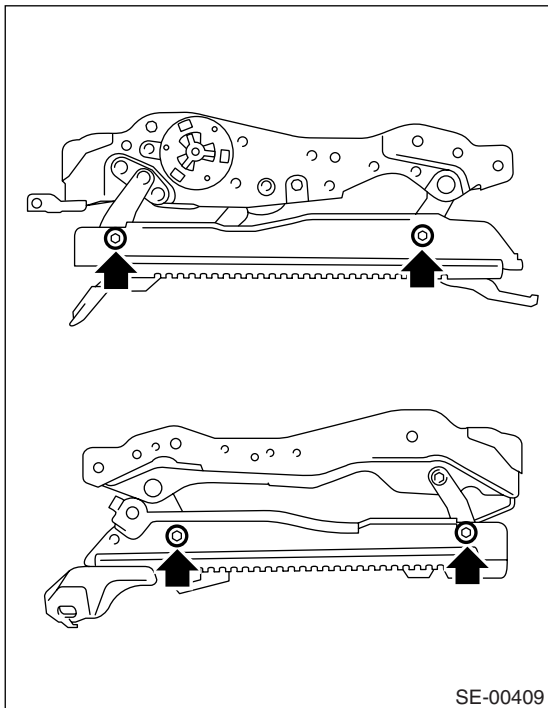
8) Remove the hooks (A), and then remove the seat cushion frame assembly.



9) Remove the bolt of sliding adjustment bar and connecting wire.



10) Remove the bolts, and then remove the slide rail.



D: ASSEMBLY

1. STANDARD SEAT

CAUTION:

(1) Because it may cause the side airbag to activate incorrectly, observe the following steps to install the side airbag correctly.

- Be careful not to contaminate or damage the backrest cover.
- Always use new hog rings.
- Secure the hog ring using hog ring pliers.
- Install the hog ring to its original position, and not to twist or wrinkle the backrest cover.

(2) To avoid the improper operation of occupant detection system, strictly obey the following works at assembly of passenger's seat.

- If the seat cushion cover has been removed or replaced, be sure to perform the system calibration for occupant detection system after installing the seat. <Ref. to OD(diag)-19, SYSTEM CALIBRATION (REZEROING), OPERATION, Subaru Select Monitor.>
- Failure to do so may cause improper operation of passenger's airbag.
- Never remove the occupant detection control module of occupant detection system (passenger's side only) and occupant detection sensor from seat cushion frame since the control module, the sensor, seat cushion pad and seat cushion frame are the seat cushion pad and frame assembly.
- Do not remove the seat position sensor from seat rail. (Driver's seat)
- The seat cushion cover has been removed, be sure to replace wire on the seat cushion cover side with a new one. (Passenger's seat)
- Install the hog ring to the specified position correctly. Do not re-use the hog ring.

Tightening torque:

Refer to **COMPONENT** in *General Description*. <Ref. to SE-2, FRONT SEAT, COMPONENT, General Description.>

Assemble in the reverse order of disassembly.

2. BUCKET TYPE SEAT

Assemble in the reverse order of disassembly.

Tightening torque:

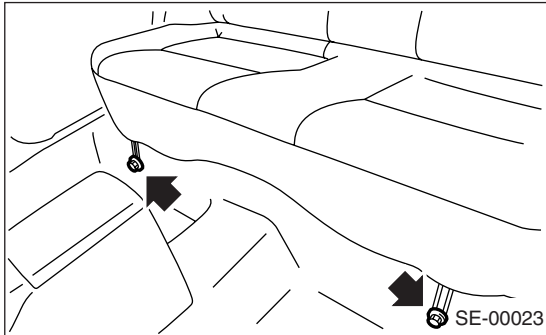
Refer to **COMPONENT** in *General Description*. <Ref. to SE-2, FRONT SEAT, COMPONENT, General Description.>

3. Rear Seat

A: REMOVAL

1. WAGON MODEL

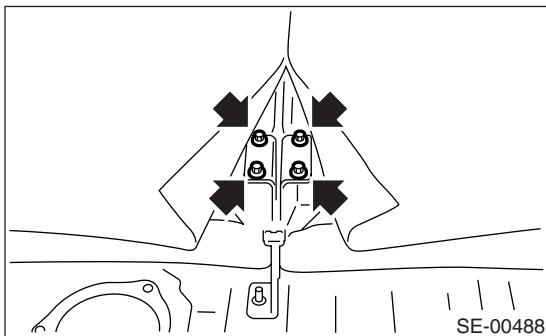
1) Remove the bolts, and then detach the rear seat cushion.



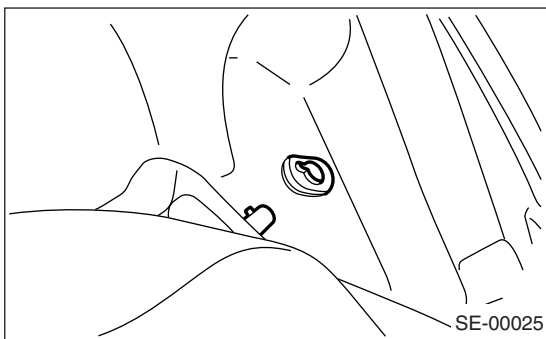
2) Remove the headrest.

3) Remove the luggage floor mat. <Ref. to EI-61, REMOVAL, Luggage Floor Mat.>

4) Turn over the mat to remove the bolts.

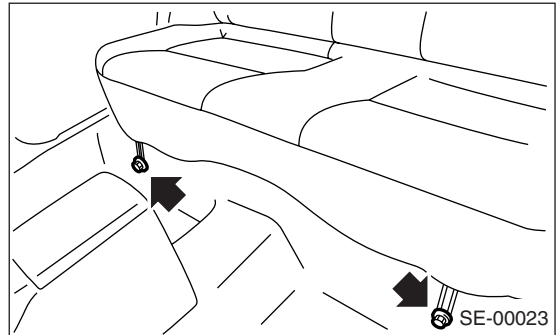


5) Remove the rear seat backrest.

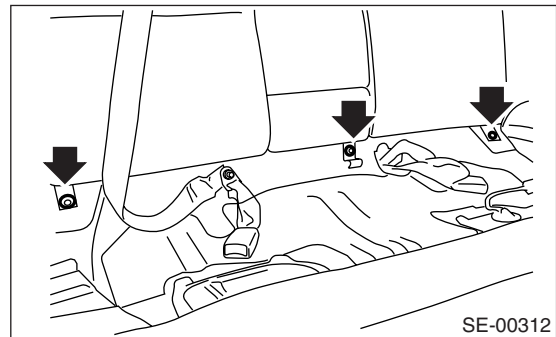


2. SEDAN MODEL

1) Remove the bolts, and then detach the rear seat cushion.



2) Remove the bolts securing lower portion of backrest and then open the center trunk through lid.



3) Lift the rear seat backrest and then remove it.

B: INSTALLATION

1. WAGON MODEL

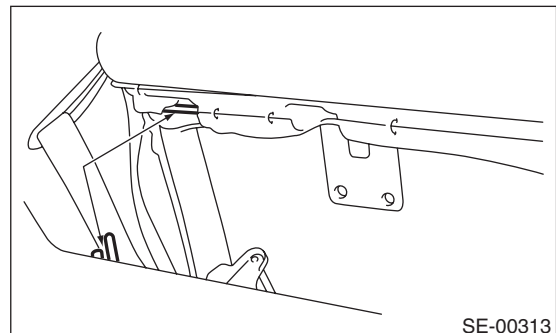
Install in the reverse order of removal.

Tightening torque:

Refer to COMPONENT in General Description. <Ref. to SE-5, REAR SEAT (WAGON MODEL), COMPONENT, General Description.>

2. SEDAN MODEL

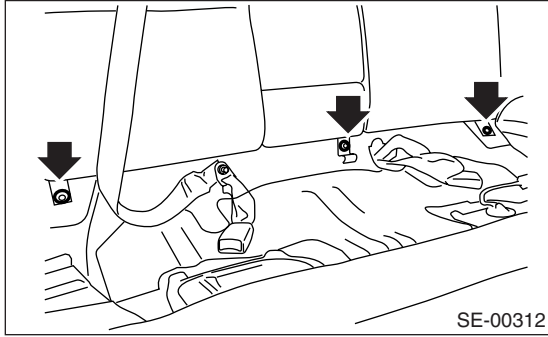
1) Hook and fasten the upper-back side of the rear seat backrest to the body hook.



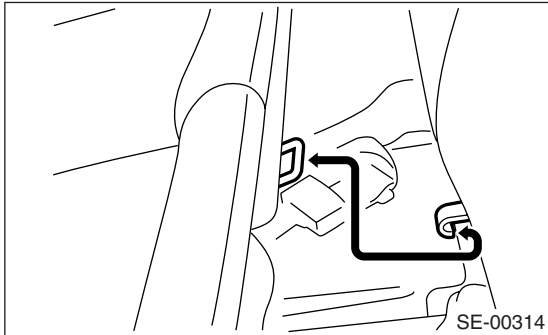
Rear Seat

SEATS

2) Tighten the bolts.



3) Hook and fasten the seat cushion to the hook on the lower part of the rear seat backrest.



Tightening torque:

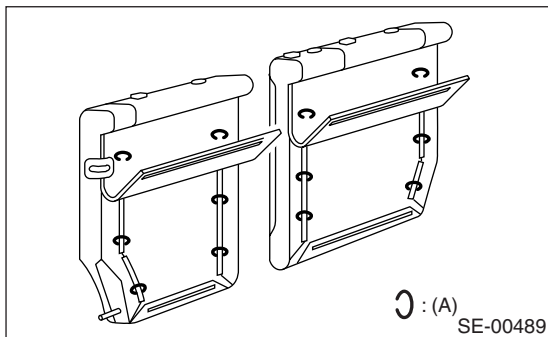
Refer to **COMPONENT** in *General Description*. <Ref. to SE-5, REAR SEAT (WAGON MODEL), COMPONENT, General Description.>

C: DISASSEMBLY

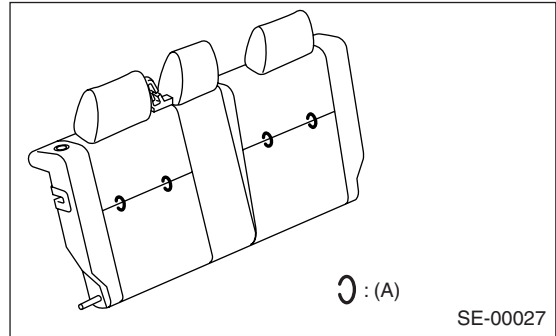
1. WAGON MODEL

1) Remove the rear seat. <Ref. to SE-13, WAGON MODEL, REMOVAL, Rear Seat.>

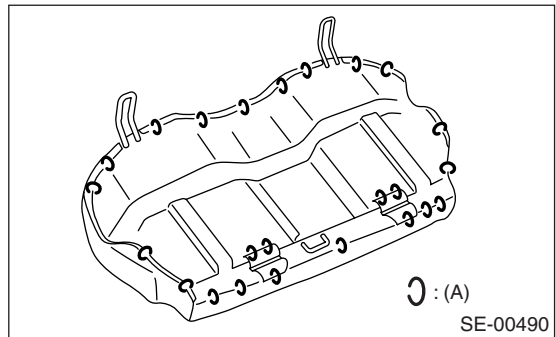
2) Remove the hog rings (A) behind of seat backrest.



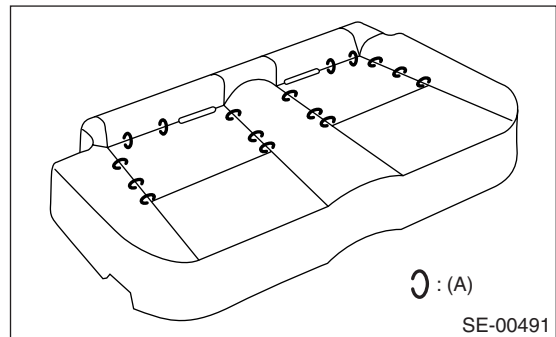
3) Remove the hog rings (A) on front side of cushion pad, and remove the cover.



4) Remove the hog rings (A) behind of seat cushion.



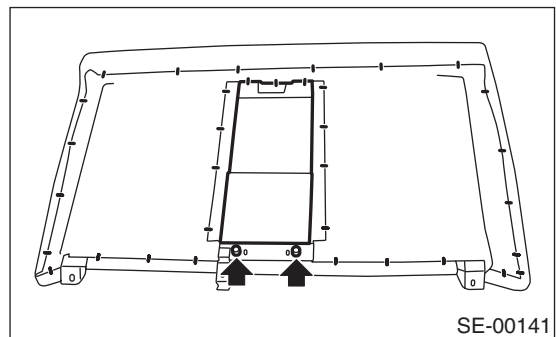
5) Remove the hog rings (A), and then remove the seat cushion cover.



2. SEDAN MODEL

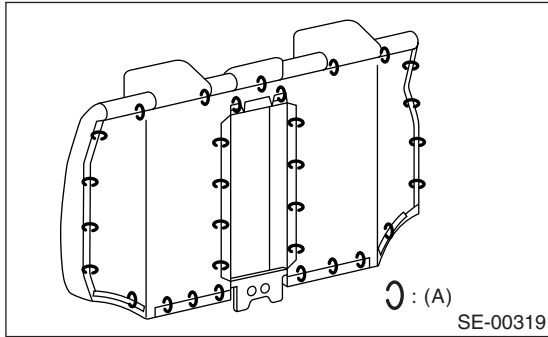
1) Remove the rear seat. <Ref. to SE-13, SEDAN MODEL, REMOVAL, Rear Seat.>

2) Remove two nuts, and then remove the armrest assembly.

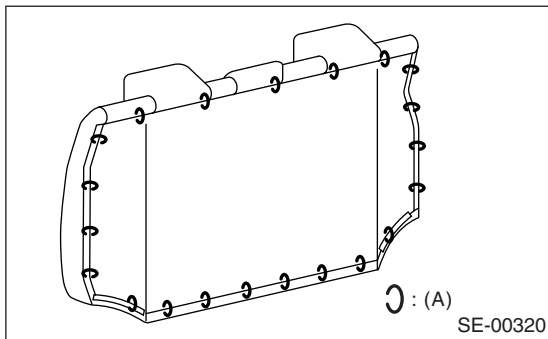


3) Remove the hog rings (A) behind of seat backrest.

- Armrest through type model

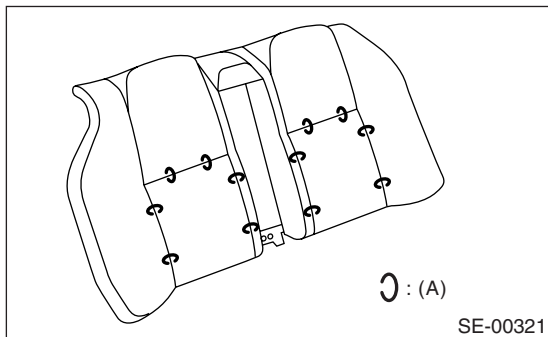


- Unified type model

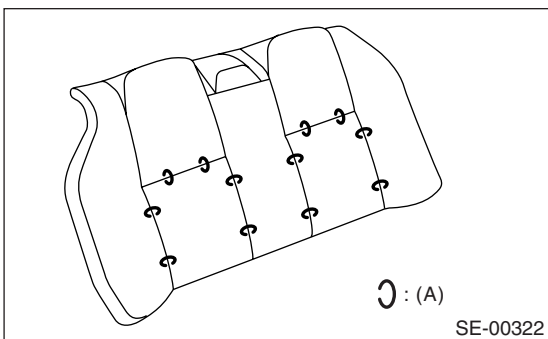


4) Remove the hog rings (A), and then remove the seat cover.

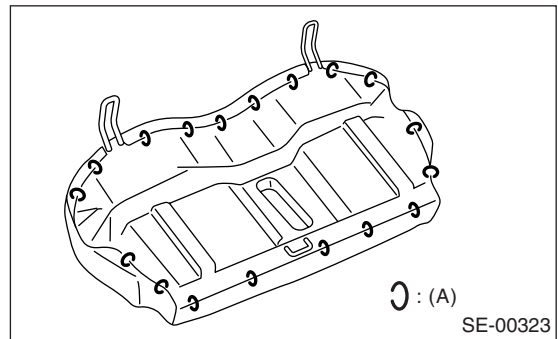
- Armrest through type model



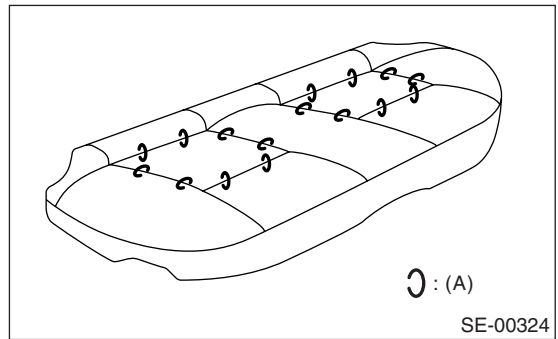
- Unified type model



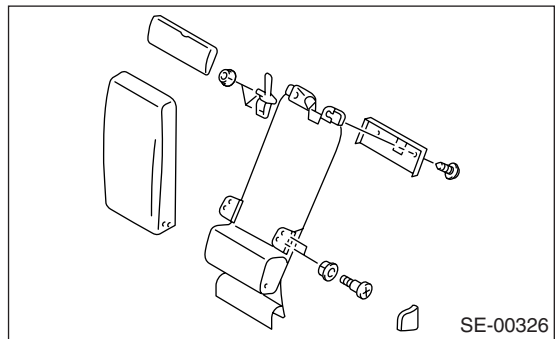
5) Remove the hog rings (A) behind of seat cushion.



6) Remove the hog rings (A), and then remove the seat cushion cover.



7) Remove the nuts and screws, and then disassemble the armrest assembly.



D: ASSEMBLY

1. WAGON MODEL

Assemble in the reverse order of disassembly.

NOTE:

- Do not contaminate or damage the cover.
- While installing the hog rings, prevent the seat from getting wrinkled.

2. SEDAN MODEL

Assemble in the reverse order of disassembly.

NOTE:

- Do not contaminate or damage the cover.
- While installing the hog rings, prevent the seat from getting wrinkled.

Rear Seat

SEATS
