

Brought to you by Eris Studios
NOT FOR RESALE

ENTERTAINMENT

Brought to you by Eris Studios
NOT FOR RESALE

1. General Description

A: CAUTION

- Before disassembling or reassembling parts, always disconnect the battery ground cable from battery. When replacing the audio, control module and other parts provided with memory functions, record the memory contents before disconnecting the battery ground cable. Otherwise, the memory is cleared.
- Reassemble the parts in the reverse order of disassembly procedure unless otherwise indicated.
- Adjust parts to the given specifications.
- Connect the connectors and hoses securely during reassembly.
- After reassembly, make sure functional parts operate smoothly.

B: PREPARATION TOOL

1. GENERAL TOOL

TOOL NAME	REMARKS
Circuit tester	Used for measuring resistance and voltage.
Conductive silver composition (DUPONT No. 4817 or equivalent)	Used for repairing antenna wire.

2. Audio System

A: WIRING DIAGRAM

<Ref. to WI-140, WIRING DIAGRAM, Audio System.>

B: INSPECTION

Symptom	Repair order
No power comes in. (No display and no sound from speakers)	<ol style="list-style-type: none"> 1. Check the fuse and power supply for audio. 2. Check the audio ground. 3. Remove the audio for repair.
A specific speaker does not operate.	<ol style="list-style-type: none"> 1. Check the speaker. 2. Check the output circuit between audio and speaker.
Audio generates noise with engine is running.	<ol style="list-style-type: none"> 1. Check the audio ground. 2. Check the generator. 3. Check the ignition coil. 4. Remove the audio for repair.
Volume is low in AM and FM modes. Or interference noise occurs.	<ol style="list-style-type: none"> 1. Check the antenna. 2. Check the antenna amplifier. 3. Check the noise suppressor. 4. Check the audio ground. 5. Remove the audio for repair.

Front Accessory Power Supply Socket System

ENTERTAINMENT

3. Front Accessory Power Supply Socket System

A: WIRING DIAGRAM

<Ref. to WI-142, WIRING DIAGRAM, Front Accessory Power Supply Socket System.>

Brought to you by Eris Studios
NOT FOR RESALE

4. Rear Accessory Power Supply Socket System

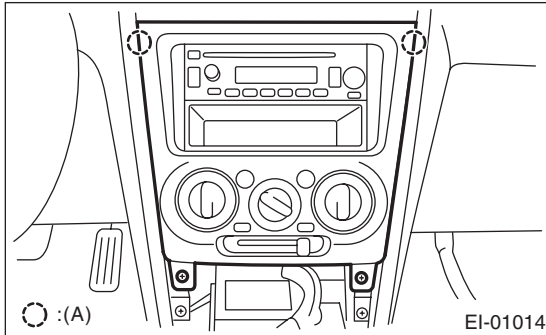
A: WIRING DIAGRAM

<Ref. to WI-143, WIRING DIAGRAM, Rear Accessory Power Supply Socket System.>

5. Audio

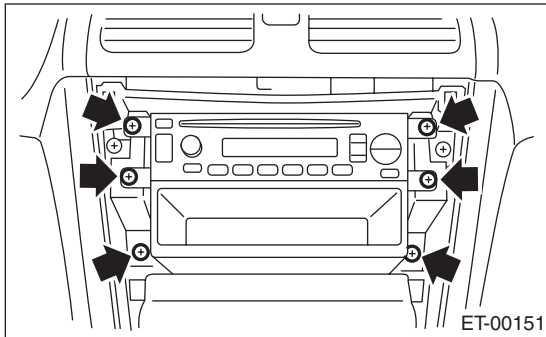
A: REMOVAL

- 1) Disconnect the ground cable from the battery.
- 2) Remove the console front panel. <Ref. to EI-46, REMOVAL, Console Box.>
- 3) Remove the center panel while disconnecting connector.



(A) Hook

- 4) Remove the fitting screws, and slightly pull the audio out from the center console.



- 5) Disconnect the harness connectors and antenna feeder cord.

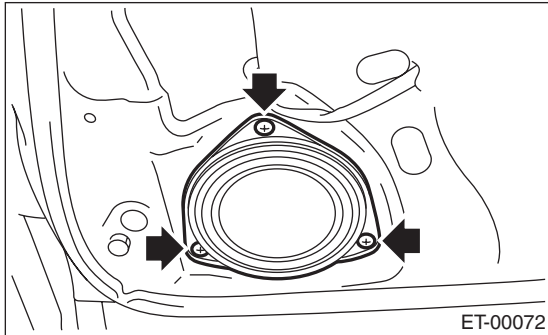
B: INSTALLATION

Install in the reverse order of removal.

6. Front Speaker

A: REMOVAL

- 1) Disconnect the ground cable from the battery.
- 2) Remove the front door trim. <Ref. to EI-41, REMOVAL, Front Door Trim.>
- 3) Remove the front speaker mounting screws.



- 4) Disconnect the harness connector and remove the front speaker.

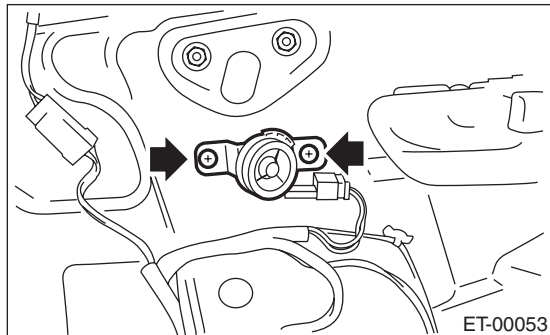
B: INSTALLATION

Install in the reverse order of removal.

7. Tweeter

A: REMOVAL

- 1) Disconnect the ground cable from the battery.
- 2) Remove the front door trim. <Ref. to EI-41, REMOVAL, Front Door Trim.>
- 3) Remove the tweeter mounting screws.



- 4) Disconnect the harness connector and remove the tweeter.

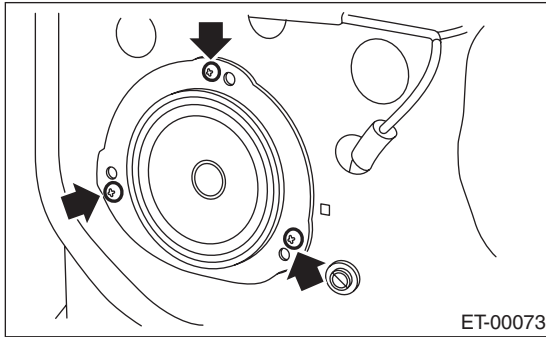
B: INSTALLATION

Install in the reverse order of removal.

8. Rear Speaker

A: REMOVAL

- 1) Disconnect the ground cable from the battery.
- 2) Remove the rear door trim. <Ref. to EI-42, REMOVAL, Rear Door Trim.>
- 3) Remove the rear speaker mounting screws.



- 4) Disconnect the harness connector and remove the rear speaker.

B: INSTALLATION

Install in the reverse order of removal.

9. Antenna

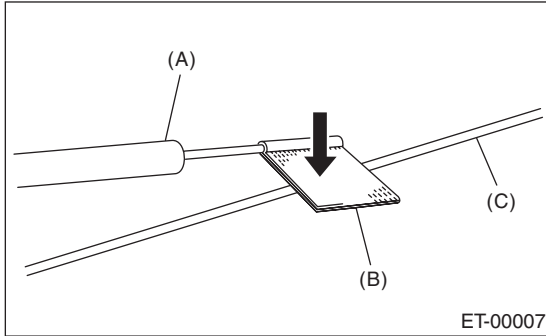
A: INSPECTION

Measure the resistance between the antenna terminal and each antenna wire.

If an antenna wire is OK, resistance will be less than 1 Ω . If an antenna wire is broken, resistance will be more than 1 M Ω .

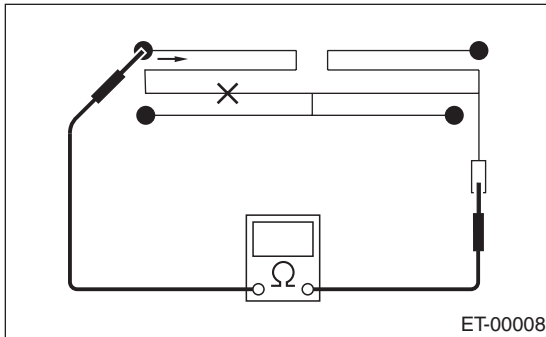
NOTE:

When checking the continuity, wrap a piece of aluminum foil around the tip of tester probe and press foil against the antenna wire with your finger.



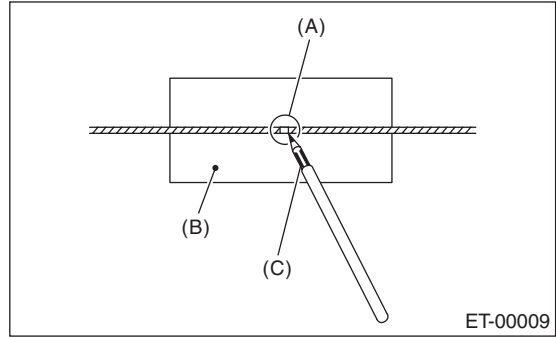
- (A) Tester probe
- (B) Aluminum foil
- (C) Antenna wire

To locate the broken point, move the probe along antenna wire.



B: REPAIR

- 1) Clean the antenna wire and surrounding area with a cloth dampened by alcohol.
- 2) Paste a thin masking film on the glass along broken wire.
- 3) Apply the conductive silver composition (DU-PONT No. 4817 or equivalent) on the broken portion with a drawing pen.



- (A) Broken portion
- (B) Masking film
- (C) Conductive silver composition

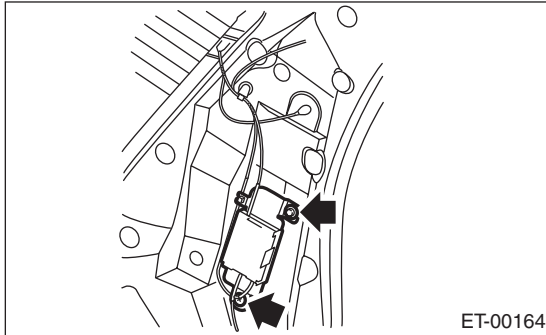
- 4) Dry out the deposited portion.
- 5) After repair has been completed, measure the resistance in repaired wire.

10. Antenna Amplifier

A: REMOVAL

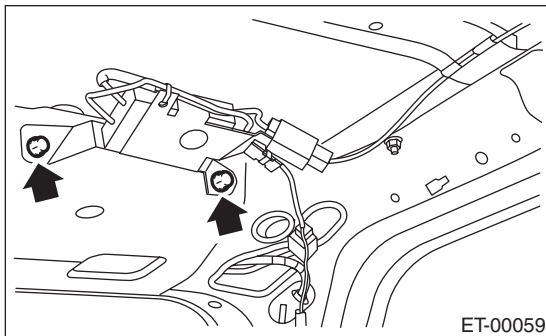
1. SEDAN

- 1) Disconnect the ground cable from the battery.
- 2) Remove the rear pillar upper trim. <Ref. to EI-52, SEDAN MODEL, REMOVAL, Rear Quarter Trim.>
- 3) Disconnect the harness connectors and terminals.
- 4) Remove the fitting screws and bolts, and detach the antenna amplifier.



2. WAGON

- 1) Disconnect the ground cable from the battery.
- 2) Remove the rear quarter upper trim and roof trim. <Ref. to EI-55, WAGON MODEL, REMOVAL, Roof Trim.> <Ref. to EI-52, WAGON MODEL, REMOVAL, Rear Quarter Trim.>
- 3) Disconnect the harness connectors and terminals.
- 4) Remove the fitting screws and detach the antenna amplifier.



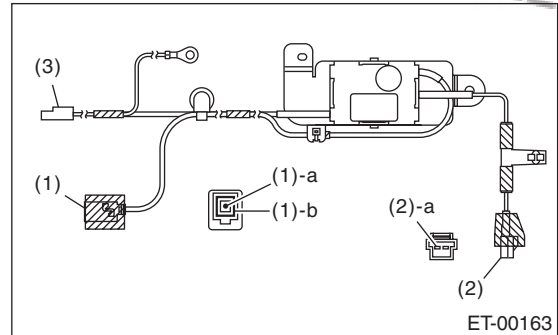
B: INSTALLATION

Install in the reverse order of removal.

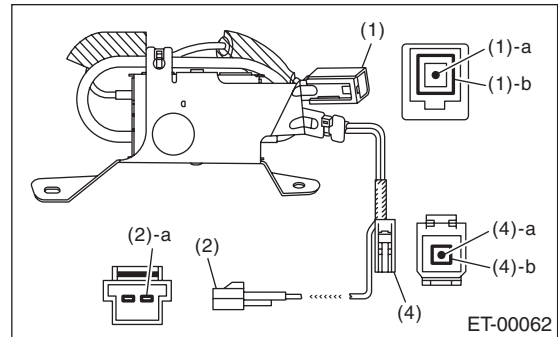
C: INSPECTION

Measure the resistance of antenna amplifier.

- Sedan model



- Wagon model



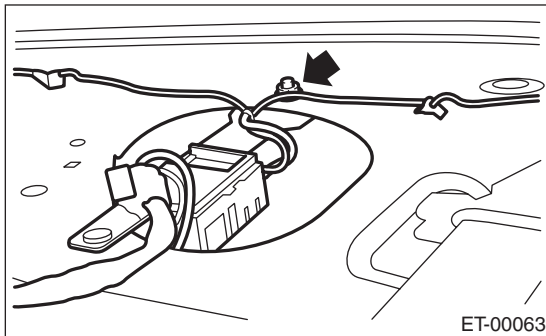
Terminal No.	Standard
1 — a and Amplifier body	100 kΩ or more
1 — b and Amplifier body	Less than 1 Ω
2 — a and Amplifier body	100 kΩ or more
3 and amplifier body	100 kΩ or more
4 — a and Amplifier body	100 kΩ or more
4 — b and Amplifier body	Less than 1 Ω

11.Noise Suppressor

A: REMOVAL

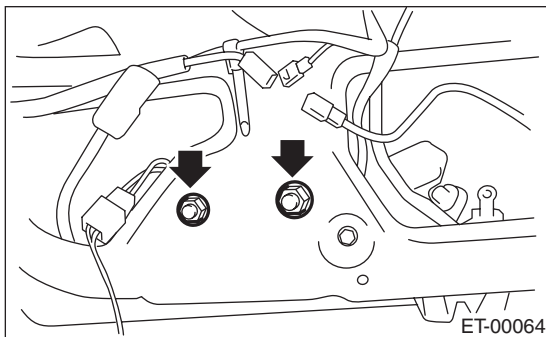
1. SEDAN

- 1) Disconnect the ground cable from the battery.
- 2) Remove the rear pillar upper trim. <Ref. to EI-52, SEDAN MODEL, REMOVAL, Rear Quarter Trim.>
- 3) Remove the rear shelf trim. <Ref. to EI-58, REMOVAL, Rear Shelf Trim.>
- 4) Disconnect the feeder cord connector from antenna amplifier.
- 5) Disconnect the harness connector of noise suppressor from terminal on glass antenna.
- 6) Remove the harness clip.
- 7) Remove the fitting nuts and detach the noise suppressor.



2. WAGON

- 1) Disconnect the ground cable from the battery.
- 2) Remove the rear gate trim. <Ref. to EI-57, REMOVAL, Rear Gate Trim.>
- 3) Disconnect connector from the noise suppressor.
- 4) Remove the fitting nuts and detach the noise suppressor.



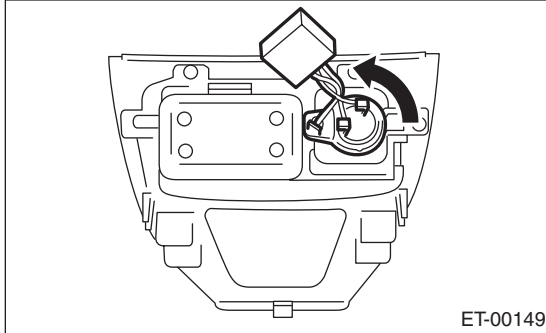
B: INSTALLATION

Install in the reverse order of removal.

12. Front Accessory Power Supply Socket

A: REMOVAL

- 1) Disconnect the ground cable from the battery.
- 2) Remove the console front panel. <Ref. to EI-46, REMOVAL, Console Box.>
- 3) Disconnect the harness connectors and remove the front accessory power supply socket.



B: INSTALLATION

Install in the reverse order of removal.

13. Rear Accessory Power Supply Socket

A: REMOVAL

- 1) Disconnect the ground cable from the battery.
- 2) Remove the rear quarter trim. <Ref. to EI-52, REMOVAL, Rear Quarter Trim.>
- 3) Disconnect the harness connector, and remove the accessory power supply socket.

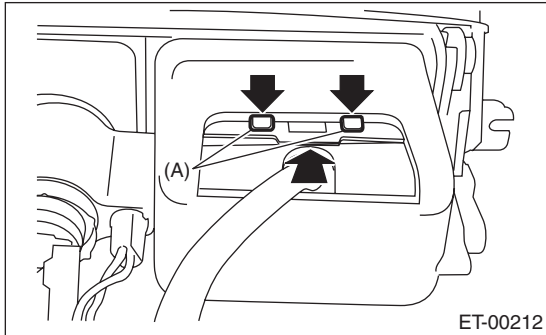
B: INSTALLATION

Install in the reverse order of removal.

14.AUX Input Terminal

A: REMOVAL

- 1) Disconnect the ground cable from the battery.
- 2) Remove the console front cover. <Ref. to EI-46, REMOVAL, Console Box.>
- 3) Remove the claws, and remove the AUX input terminal.



B: INSTALLATION

Install in the reverse order of removal.

AUX Input Terminal

ENTERTAINMENT

Brought to you by Eris Studios
NOT FOR RESALE