

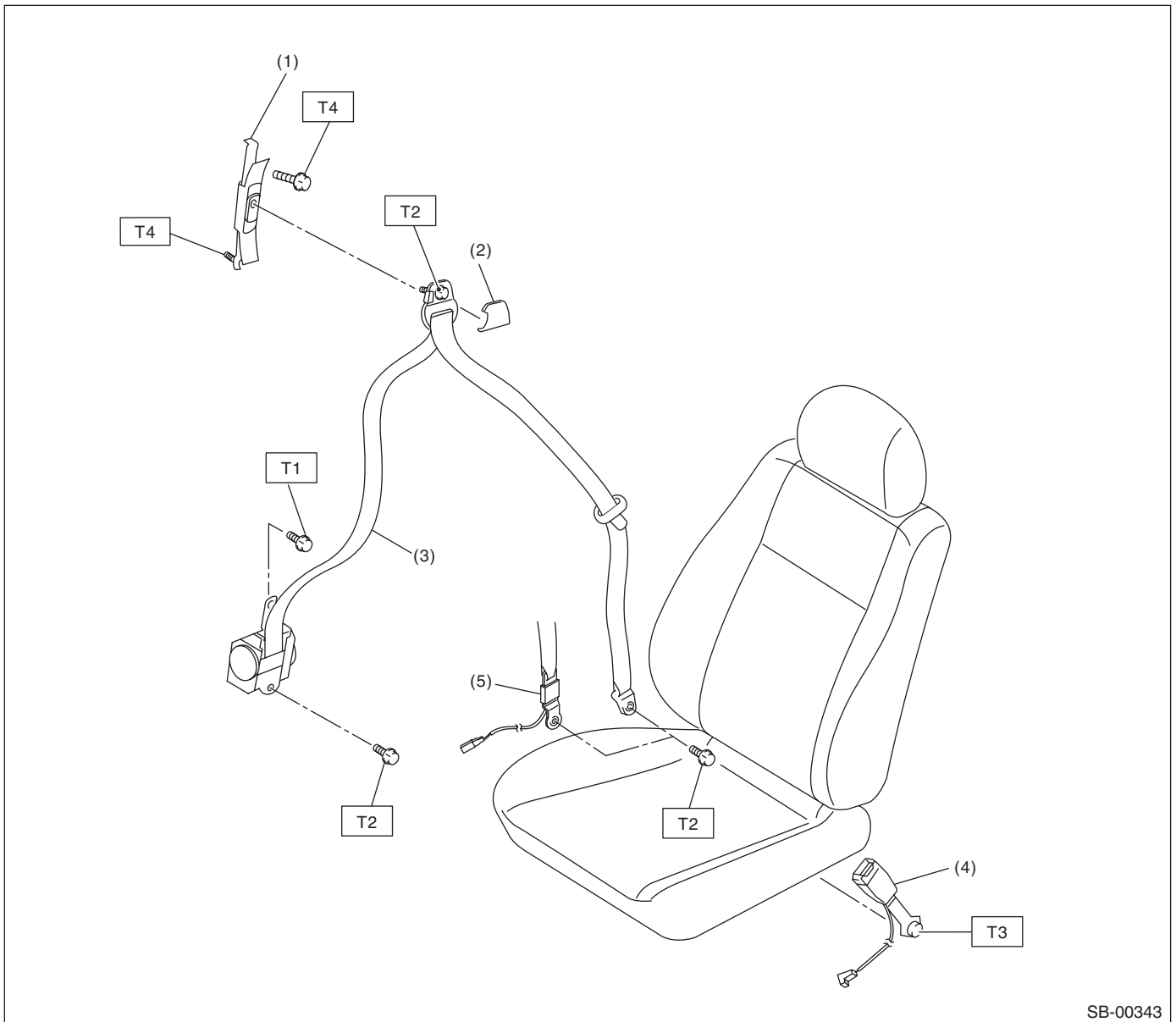
Brought to you by Eris Studios
NOT FOR RESALE

SEAT BELT SYSTEM

1. General Description

A: COMPONENT

1. FRONT SEAT BELT



SB-00343

- (1) Adjustable anchor ASSY
- (2) Anchor cover
- (3) Outer seat belt ASSY
- (4) Inner seat belt ASSY

- (5) Belt tension sensor
(passenger's side)

Tightening torque: N·m (kgf·m, ft·lb)

T1: 7.5 (0.76, 5.5)

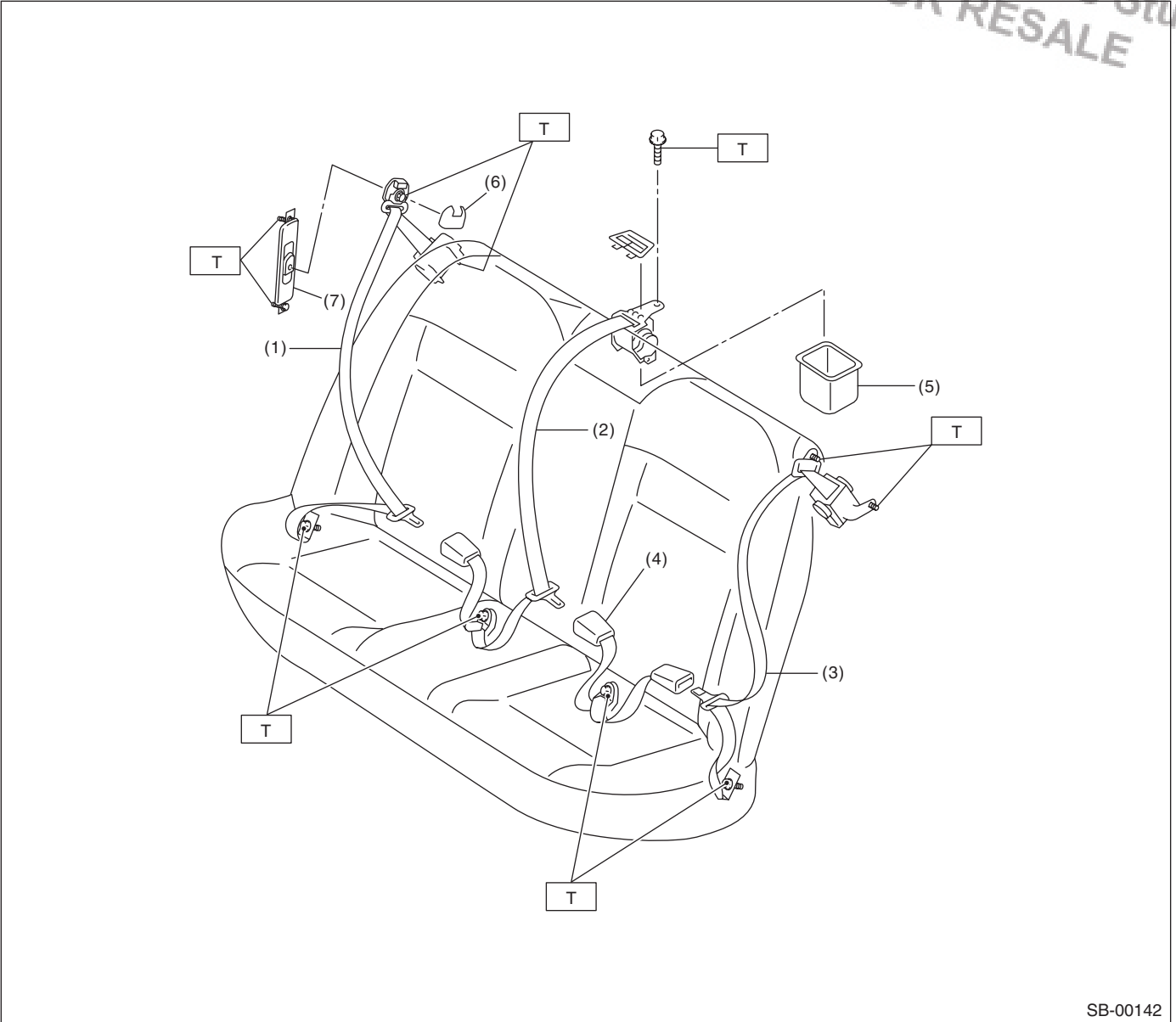
T2: 30 (3.1, 22)

T3: 38 (3.9, 28)

T4: 53 (5.4, 39)

2. REAR SEAT BELT (SEDAN MODEL)

Brought to you by Eris Studios
NOT FOR RESALE



SB-00142

- | | |
|------------------------------------|----------------------------|
| (1) Outer seat belt ASSY RH | (5) Case center ELR |
| (2) Shoulder seat belt center ASSY | (6) Anchor cover |
| (3) Outer seat belt ASSY LH | (7) Adjustable anchor ASSY |
| (4) Center seat belt ASSY LH | |

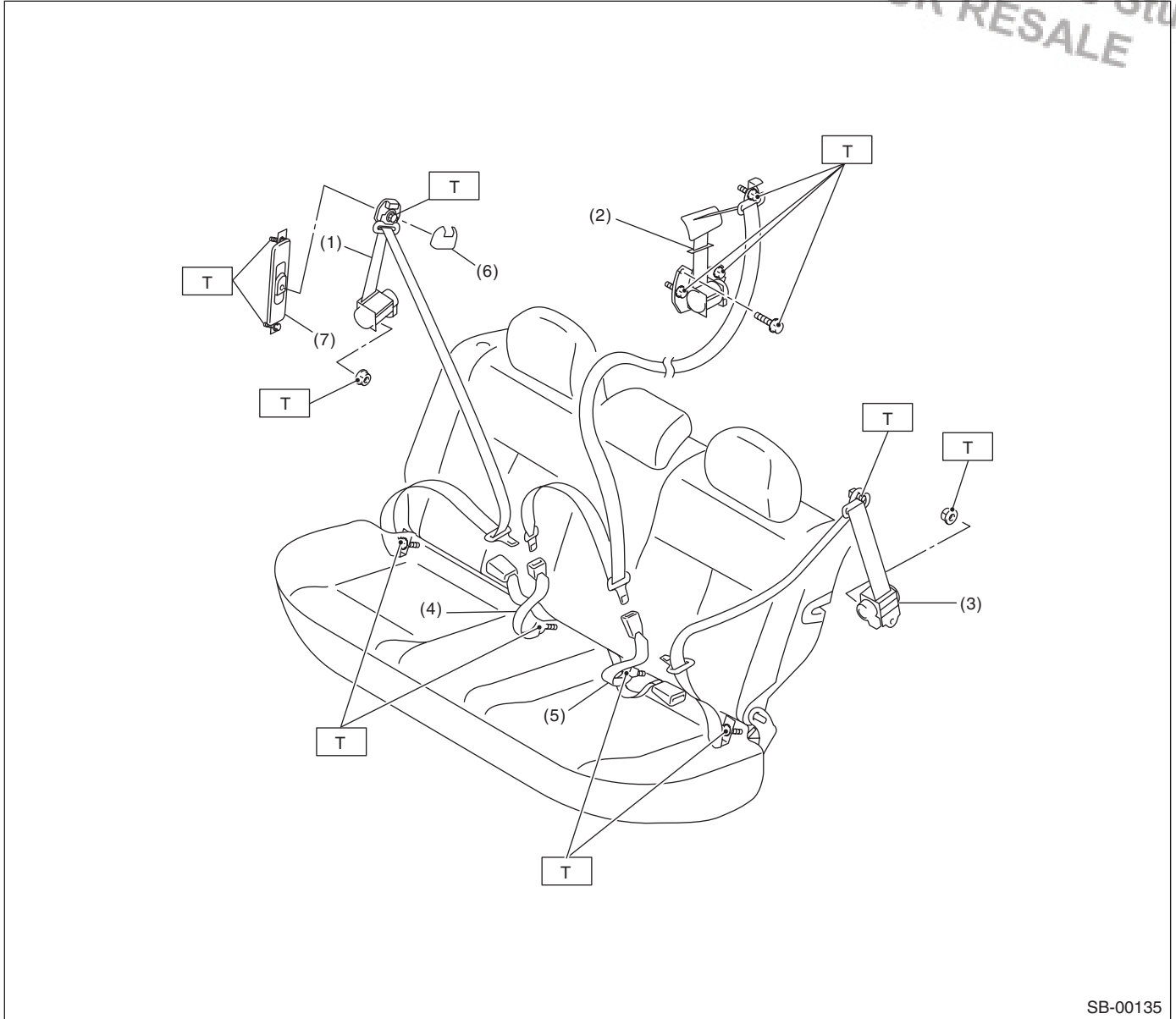
Tightening torque: N·m (kgf·m, ft·lb)

T: 30 (3.1, 22)

General Description

SEAT BELT SYSTEM

3. REAR SEAT BELT (WAGON MODEL)



SB-00135

- | | |
|------------------------------------|------------------------------|
| (1) Outer seat belt ASSY RH | (5) Center seat belt ASSY LH |
| (2) Shoulder seat belt center ASSY | (6) Anchor cover |
| (3) Outer seat belt ASSY LH | (7) Adjustable anchor ASSY |
| (4) Center seat belt ASSY RH | |

Tightening torque: N-m (kgf-m, ft-lb)

T: 30 (3.1, 22)

B: CAUTION

- Before starting the work, turn the ignition switch to OFF, disconnect the battery ground cable and wait for 20 seconds or more.
- The pretensioner system has a backup power source. Be careful that the pretensioner might deploy if you do not wait for 20 seconds or more before starting work.
- Do not drop or apply any impact to the pretensioner.
- If oil, grease or water gets on the pretensioner, wipe it off immediately with a dry cloth.
- Do not expose the pretensioner to high temperature or flame.
- Do not allow current to flow through or voltage to reach the pretensioner. Do not use a circuit tester to check resistance of the pretensioner.
- Do not disassemble or attempt to repair the pretensioner. If it is dented, cracked or deformed, replace it with a new part.
- Do not use the airbag or pretensioner parts from other vehicles. Always replace parts with new parts.
- When handling a seat belt with deployed pretensioner, wear gloves and goggles. Wash your hands afterwards.
- Do not reuse a seat belt with deployed pretensioner.
- If material from the airbag enters the eyes or contacts skin during deployment, wash it away with clean water, and then consult a doctor.

2. Pretensioner Connector

A: PROCEDURE

Refer to airbag connectors in the airbag section.
<Ref. to AB-7, PROCEDURE, Airbag Connector.>

Brought to you by Eris Studios
NOT FOR RESALE

3. Inspection Locations After a Collision

A: INSPECTION

Check for the following, and replace with new parts if necessary.

- Center pillar lower trim is discolored or cracked.
- Wiring harness and connector are damaged.

Seat Belt Warning System

SEAT BELT SYSTEM

4. Seat Belt Warning System

A: WIRING DIAGRAM

<Ref. to WI-114, WIRING DIAGRAM, Seat Belt Warning System.>

B: INSPECTION

TROUBLE SYMPTOM:

- Seat belt warning light does illuminate or it remains illuminating.
- Buzzer does not beep.

Step	Check	Yes	No
1 CHECK HARNESS BETWEEN BODY INTEGRATED UNIT AND CHASSIS GROUND. 1) Turn the ignition switch to OFF. 2) Disconnect the connector from body integrated unit. 3) Measure the resistance between body integrated unit harness connector and chassis ground. <i>Connector & terminal</i> <i>(B280) No. 13 — Chassis ground:</i>	Is the resistance less than 1 Ω ?	Go to step 2.	Repair the open circuit of harness between the body integrated unit and chassis ground.
2 CHECK POWER SUPPLY OF BODY INTEGRATED UNIT. 1) Turn the ignition switch to ON. 2) Measure the voltage between body integrated unit connector and chassis ground. <i>Connector & terminal</i> <i>(B281) No. 19 (+) — Chassis ground (-):</i>	Is the voltage 10 V or more?	Go to step 3.	Repair the open or short circuit of the harness between body integrated unit and battery, and any poor contact in connectors.
3 CHECK SEAT BELT SWITCH AND HARNESS. 1) Turn the ignition switch to OFF. 2) Disconnect the connector from body integrated unit. 3) Pull out the tongue plate from the driver's seat belt buckle. 4) Measure the resistance between body integrated unit harness connector and chassis ground. <i>Connector & terminal</i> <i>(B281) No. 3 — Chassis ground:</i>	Is the resistance less than 1 Ω ?	Go to step 4.	Repair the short circuit of the harness between the body integrated unit connector and chassis ground.
4 CHECK SEAT BELT SWITCH AND HARNESS. 1) Turn the ignition switch to OFF. 2) Insert the tongue plate to the driver's seat belt buckle. 3) Measure the resistance between body integrated unit connector and chassis ground. <i>Connector & terminal</i> <i>(B281) No. 3 — Chassis ground:</i>	Is the resistance 1 M Ω or more?	Go to step 7.	Go to step 5.
5 CHECK HARNESS BETWEEN BODY INTEGRATED UNIT AND SEAT BELT SWITCH. Measure the resistance of harness between the body integrated unit connector and seat belt switch. <i>Connector & terminal</i> <i>(B281) No. 3 — (R245) No. 2:</i>	Is the resistance less than 1 Ω ?	Go to step 6.	Repair the open circuit of the harness between body integrated unit connector and battery, and any poor contact in connectors.

Seat Belt Warning System

SEAT BELT SYSTEM

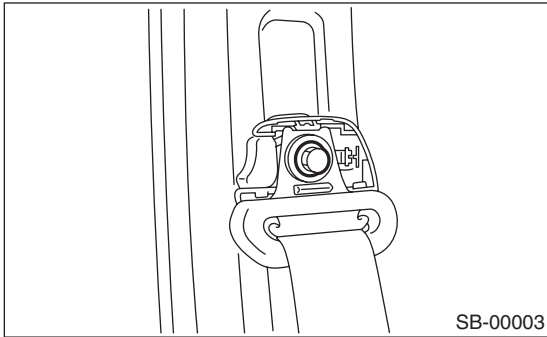
Step	Check	Yes	No
6 CHECK HARNESS BETWEEN SEAT BELT SWITCH AND CHASSIS GROUND. Measure the resistance of harness between seat belt switch and chassis ground. Connector & terminal (R245) No. 1 — Chassis ground:	Is the resistance less than 1 Ω?	Go to step 7.	Repair open circuit of harness between seat belt switch and chassis ground.
7 CHECK SEAT BELT SWITCH. 1) Pull out the tongue plate from the driver's seat belt buckle. 2) Measure the resistance between seat belt switch terminals. Terminals (R245) No. 1 — No. 2:	Is the resistance less than 1 Ω?	Go to step 8.	Replace the inner seat belt assembly.
8 CHECK SEAT BELT SWITCH. 1) Insert the tongue plate to the driver's seat belt buckle. 2) Measure the resistance between seat belt switch terminals. Terminals (R245) No. 1 — No. 2:	Is the resistance 1 MΩ or more?	Go to step 9.	Replace the inner seat belt assembly.
9 CHECK COMBINATION METER. 1) Turn the ignition switch to ON. 2) Measure the voltage between combination meter and chassis ground. Connector & terminal (i10) No. 9 (+) — Chassis ground (-):	Is the voltage 10 V or more?	Go to step 10.	Check wiring harness and combination meter, then repair or replace them.
10 CHECK HARNESS BETWEEN BODY INTEGRATED UNIT AND COMBINATION METER. Measure the resistance of harness between the body integrated unit and combination meter. Connector & terminal (B280) No. 11 — (i10) No. 9:	Is the resistance 1 Ω or less?	Go to step 11.	Repair the open circuit of harness between the body integrated unit and combination meter.
11 CHECK POOR CONTACT. Check for poor contact in seat belt warning light circuit.	Is there poor contact?	Repair the poor contact.	Go to step 12.
12 CHECK BODY INTEGRATED UNIT. 1) Connect all connectors. 2) Turn the ignition switch to ON. 3) Pull out the tongue plate from the driver's seat belt buckle. 4) Check if the seat belt warning light illuminates.	Does the seat belt warning light illuminate?	Go to step 13.	Check the connector or harness and, if there is no abnormality, replace the seat belt warning light bulb in the combination meter.
13 CHECK BODY INTEGRATED UNIT. 1) Connect all connectors. 2) Turn the ignition switch to ON. 3) Pull out the tongue plate from the driver's seat belt buckle. 4) Check if the seat belt warning light illuminates and the buzzer sounds.	Does the seat belt warning light illuminate and the buzzer sound for 6 seconds?	Check for poor contact in the connector or harness.	Replace the body integrated unit.

5. Front Seat Belt

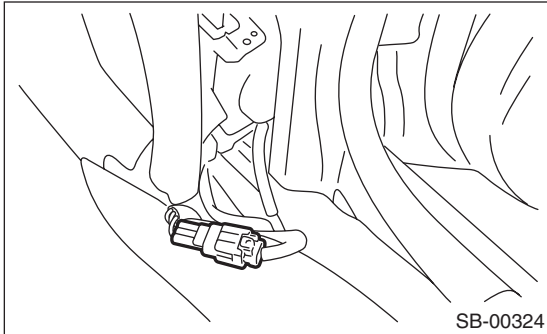
A: REMOVAL

1. OUTER SEAT BELT ASSEMBLY

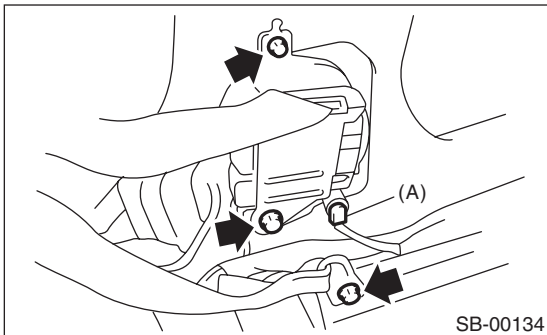
- 1) Turn the ignition switch to OFF, disconnect the battery ground cable, and wait for 20 seconds or more.
- 2) Fold the backrest all the way forward, and then move the front seat all the way forward.
- 3) Remove the center pillar lower trim. <Ref. to EI-51, REMOVAL, Lower Inner Trim.>
- 4) Remove the anchor cover. Loosen the shoulder anchor bolt, and then detach the shoulder anchor from center pillar.



- 5) Turn over the floor mat to disconnect the connector of belt tension sensor. (Passenger's side)

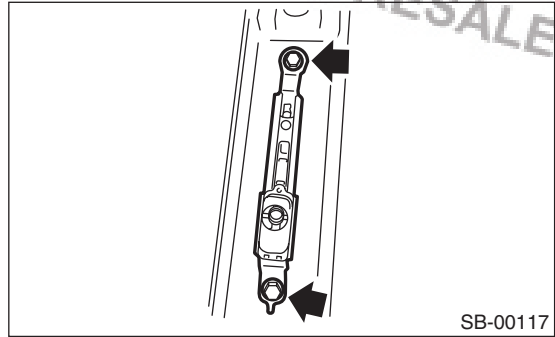


- 6) Turn over the floor mat to disconnect the connector (A) of pretensioner, and then loosen the three bolts to remove the outer seat belt assembly.



- 7) Remove the center pillar upper trim. <Ref. to EI-50, REMOVAL, Upper Inner Trim.>

- 8) Remove the two bolts to remove the adjustable anchor assembly.

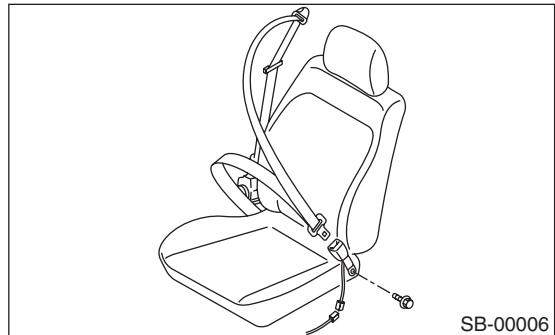


CAUTION:

- Do not drop or subject the pretensioner to any impact.
- Since the pretensioner and bracket are integrated as a unit, do not disassemble them.

2. INNER SEAT BELT ASSEMBLY

- 1) Turn the ignition switch to OFF, disconnect the battery ground cable, and wait for 20 seconds or more.
- 2) Remove the console box. <Ref. to EI-46, REMOVAL, Console Box.>
- 3) Disconnect the seat belt warning light connector under the seat.
- 4) Remove the harness clips from slide rail.
- 5) Remove the anchor bolt, and then detach the inner belt assembly.



B: INSTALLATION

1. OUTER SEAT BELT ASSEMBLY

Install in the reverse order of removal.

CAUTION:

- The parts of driver and passenger sides are not the same. Before installation, make sure that the correct part is used.
- Be careful not to twist the seat belts during installation.

Tightening torque:

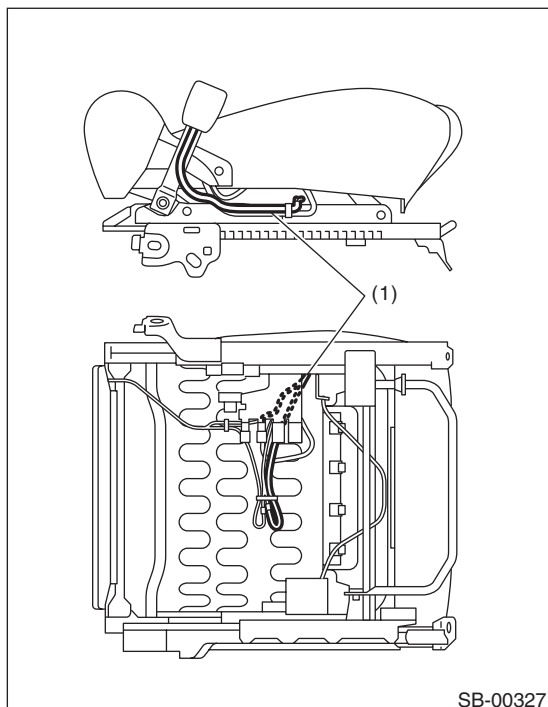
<Ref. to SB-2, FRONT SEAT BELT, COMPONENT, General Description.>

2. INNER SEAT BELT ASSEMBLY

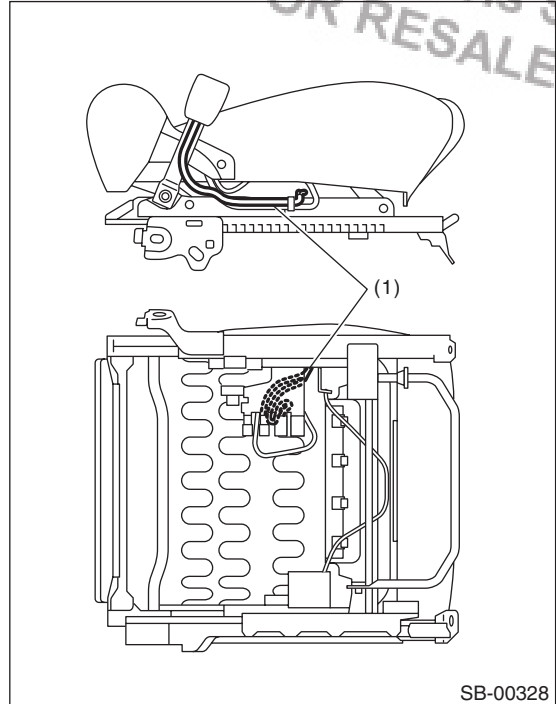
Install in the reverse order of removal.

CAUTION:

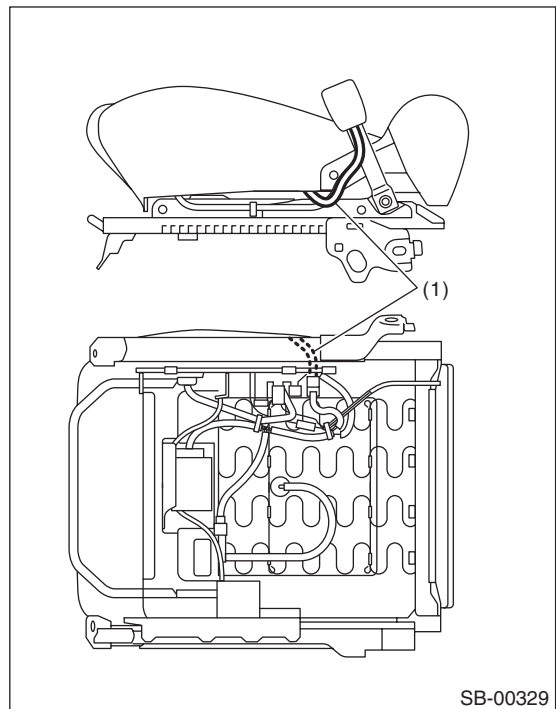
- After the driver's and passenger's inner seat belt assembly installation, check that the seat belt buckle switch operates normally using the Subaru Select Monitor in {Status Data} of "Airbag System". <Ref. to AB(diag)-29, DISPLAY OF STATUS INFORMATION, OPERATION, Subaru Select Monitor.> Improper buckle switch operation may cause airbag system malfunction.
- Inner seat belt assembly harness (1) must be routed securely as shown in the figure, as it can affect the performance of the seat position sensor and occupant detection system.
- Driver's seat (with seat heater)



- Driver's seat (without seat heater)



- Passenger's seat



Tightening torque:

<Ref. to SB-2, FRONT SEAT BELT, COMPONENT, General Description.>

C: INSPECTION

Check for the following, and replace with new parts if necessary.

- Pretensioner is cracked or deformed.
- Seat belt is slackened, bent or worn. Seat belt is abnormally wound or extended.
- Inner seat belt assembly is deformed or damaged.
- Seat belt buckle cannot be engaged properly.

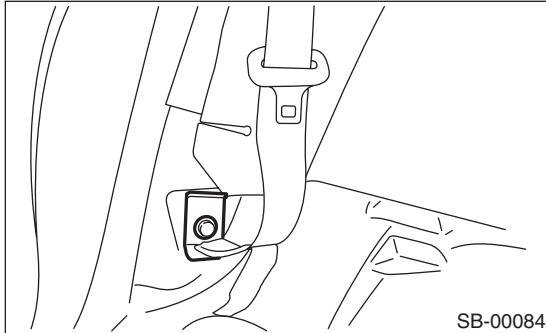
Brought to you by Eris Studios
NOT FOR RESALE

6. Rear Seat Belt

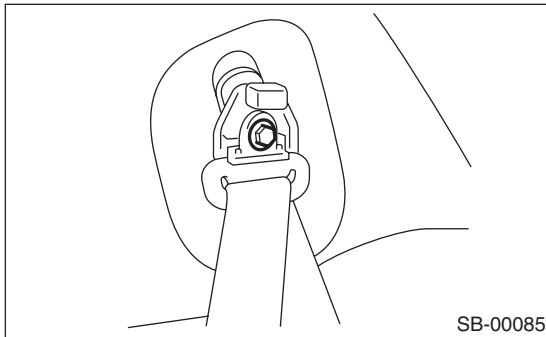
A: REMOVAL

1. OUTER SEAT BELT ASSEMBLY RH AND LH (SEDAN MODEL)

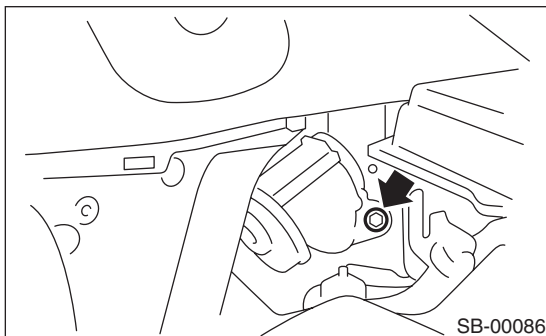
- 1) Remove the rear seat. <Ref. to SE-13, REMOVAL, Rear Seat.>
- 2) Remove the side sill rear lower cover. <Ref. to EI-51, REMOVAL, Lower Inner Trim.>
- 3) Remove the seat belt lower anchor bolt.



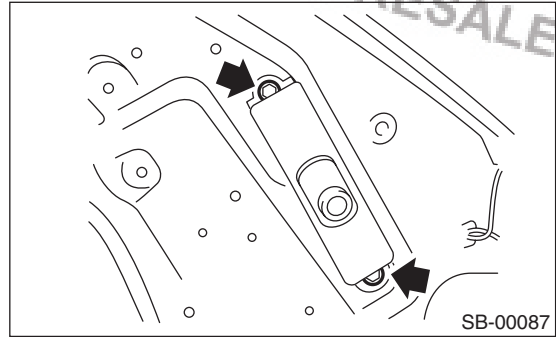
- 4) Remove the anchor cover. Remove the bolt from the pillar, and then remove the shoulder anchor.



- 5) Remove the quarter pillar trim. <Ref. to EI-52, REMOVAL, Rear Quarter Trim.>
- 6) Remove the bolts, and then detach the outer seat belt assembly.

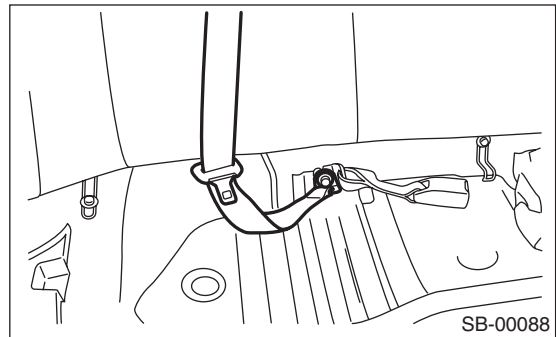


- 7) Remove the two bolts to remove the adjustable anchor assembly.

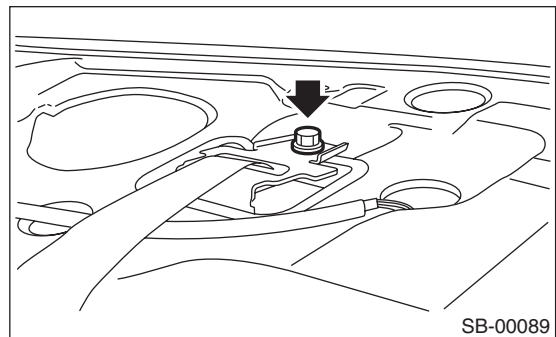


2. SHOULDER SEAT BELT CENTER ASSEMBLY (SEDAN MODEL)

- 1) Remove the rear seat cushion. <Ref. to SE-13, REMOVAL, Rear Seat.>
- 2) Remove the seat belt lower anchor bolt.

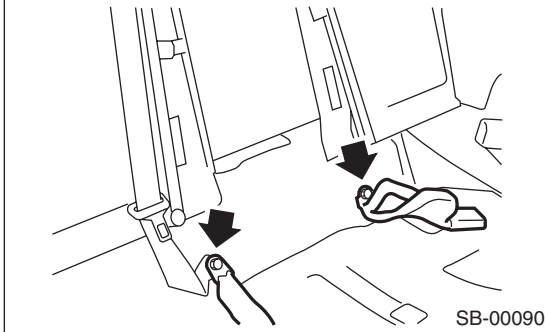


- 3) Remove the quarter pillar trim. <Ref. to EI-52, REMOVAL, Rear Quarter Trim.>
- 4) Remove the rear shelf trim. <Ref. to EI-58, REMOVAL, Rear Shelf Trim.>
- 5) Remove the bolts, then remove the shoulder seat belt assembly.



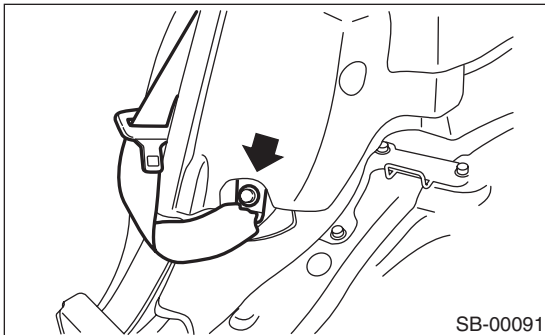
3. CENTER SEAT BELT ASSEMBLY LH (SEDAN MODEL)

- 1) Remove the rear seat cushion. <Ref. to SE-13, REMOVAL, Rear Seat.>
- 2) Remove the bolts, then remove the center seat belt LH assembly.

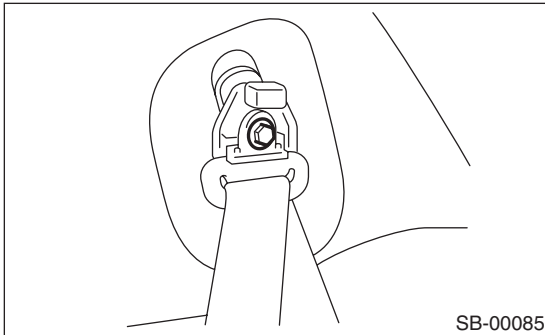


4. OUTER SEAT BELT ASSEMBLY RH AND LH (WAGON MODEL)

- 1) Remove the luggage floor mat. <Ref. to EI-61, REMOVAL, Luggage Floor Mat.>
- 2) Remove the rear seat cushion. <Ref. to SE-13, REMOVAL, Rear Seat.>
- 3) Remove the side sill rear lower cover. <Ref. to EI-51, REMOVAL, Lower Inner Trim.>
- 4) Remove the seat belt lower anchor bolt.

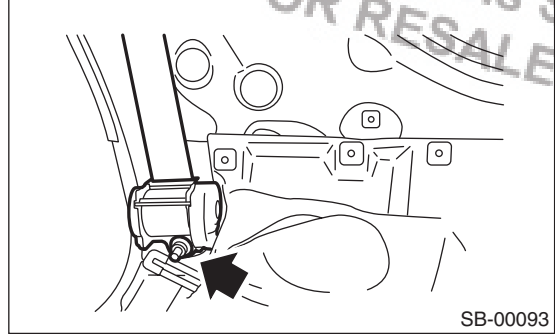


- 5) Remove the anchor cover. Remove the bolt from the pillar, and then remove the shoulder anchor.

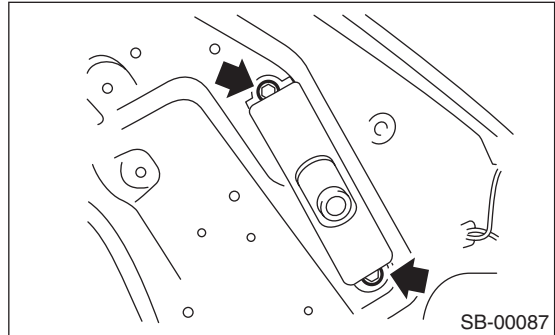


- 6) Remove the rear quarter trim. <Ref. to EI-52, REMOVAL, Rear Quarter Trim.>

- 7) Remove the bolt to remove the outer seat belt.

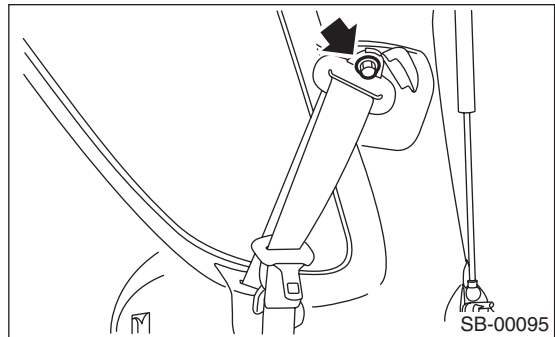


- 8) Remove the two bolts to remove the adjustable anchor assembly.

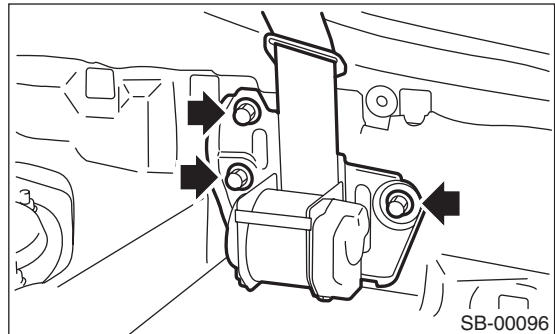


5. SHOULDER SEAT BELT CENTER ASSEMBLY (WAGON MODEL)

- 1) Remove the shoulder anchor bolt, and then remove shoulder anchor from the quarter pillar.

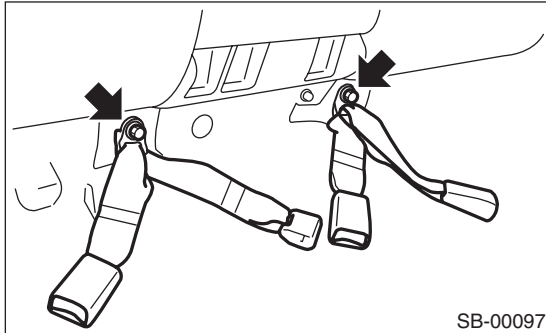


- 2) Remove the quarter trim. <Ref. to EI-52, REMOVAL, Rear Quarter Trim.>
- 3) Remove the three bolts to remove the seat belt assembly.



6. CENTER SEAT BELT ASSEMBLY RH AND LH (WAGON MODEL)

- 1) Remove the rear seat cushion.
- 2) Remove the bolts, then remove the center seat belt assembly.



B: INSTALLATION

Install in the reverse order of removal.

CAUTION:

- During installation, make sure that the seat belts are not twisted.
- After installation, make sure that the seat belts are smoothly extended and wound.

Tightening torque:

- <Ref. to SB-3, REAR SEAT BELT (SEDAN MODEL), COMPONENT, General Description.>
- <Ref. to SB-4, REAR SEAT BELT (WAGON MODEL), COMPONENT, General Description.>

C: INSPECTION

Check for the following, and replace with new parts if necessary.

- Seat belt is slackened, bent or worn.
- Seat belt is abnormally wound or extended.
- Inner belt is deformed or damaged.
- Seat belt buckle cannot be engaged properly.

Brought to you by Eris Studios
NOT FOR RESALE