

1. How to Use This Manuals

A: HOW TO USE THIS MANUALS

1. STRUCTURE

Each section consists of SCT that are broken down into SC that are divided into sections for each component. The specification, maintenance and other information for the components are included, and the diagnostic information has also been added where necessary.

2. CONTENTS

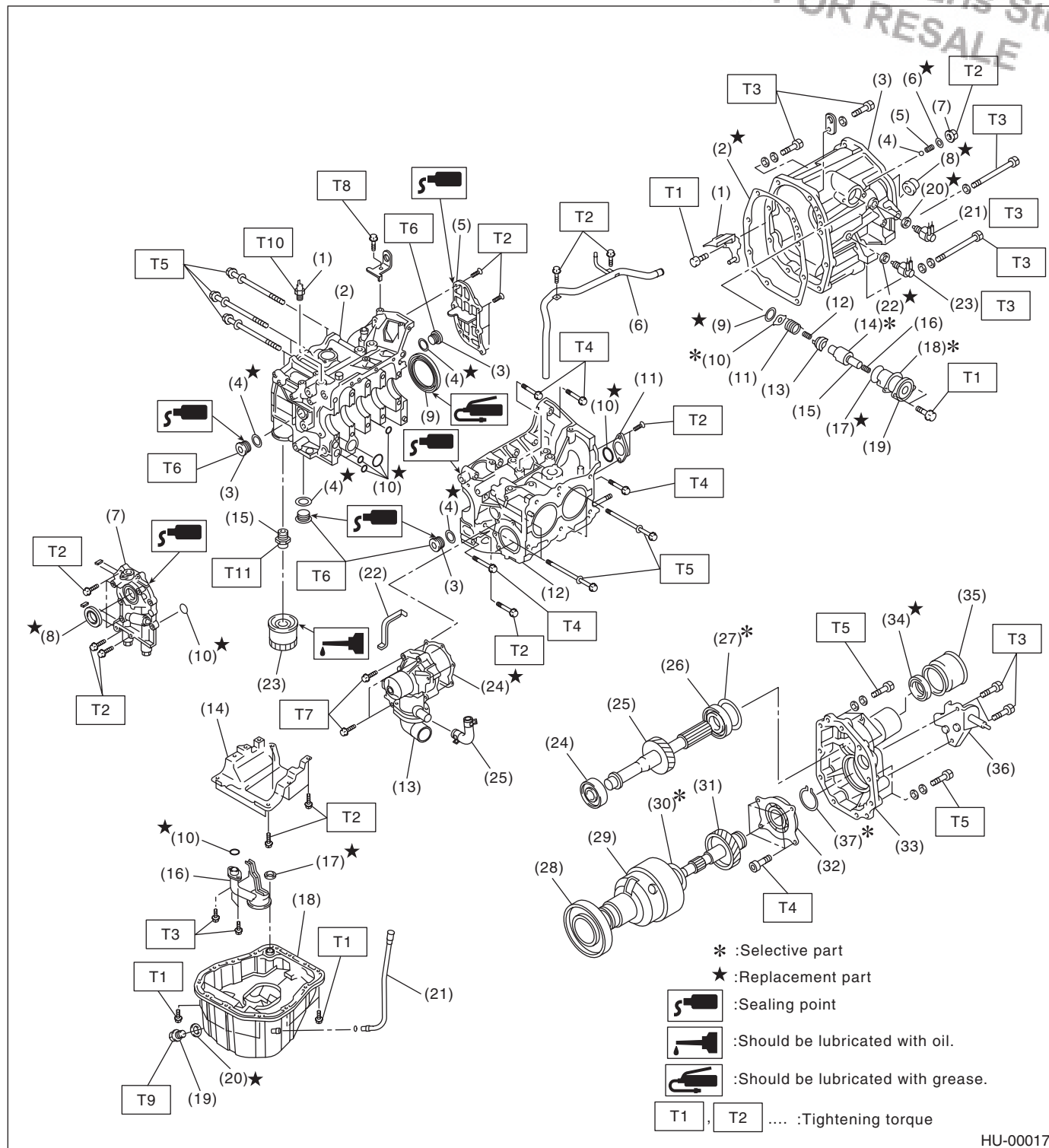
The first page has an index with tabs.

3. COMPONENT

Illustrations are provided for each component. The information necessary for repair work (tightening torque, grease up points, etc.) is described on these illustrations. Information is described using symbol.

To order parts, refer to parts catalogue.

Example:



HU-00017

4. SPECIFICATION

If necessary, specifications are also included.

5. INSPECTION

Inspections to be carried out before and after maintenance are included.

6. MAINTENANCE

- Maintenance instructions for serviceable parts describe work area and detailed step with illustration. It also describes the use of special tool, tightening torque, caution for each procedure.
- If many serviceable parts are included in one service procedure, appropriate reference is provided for each parts.

Example:

15. Main Shaft Assembly for Single-Range ← (A)

A: REMOVAL ← (B)

1) Remove the manual transmission assembly from vehicle. <Ref. to MT-33, REMOVAL, Manual Transmission Assembly.> ← (C)

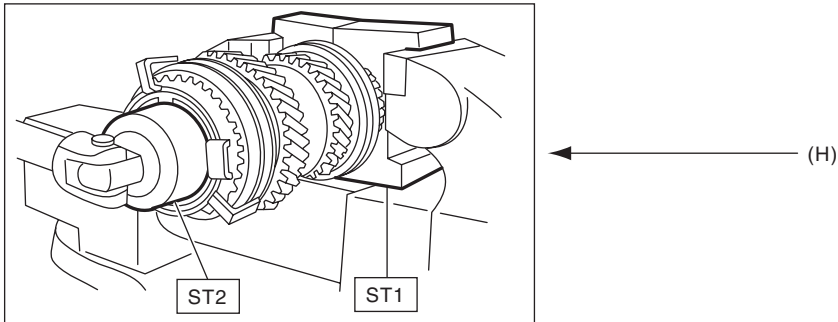
11) Tighten the lock nuts to the specified torque using ST1 and ST2.

NOTE: ← (D)
Secure the lock nuts in two places after tightening.

ST1 498937000 TRANSMISSION HOLDER

ST2 499987003 (E) SOCKET WRENCH (35) (F)

Tightening torque:
118 N·m (12.0 kgf-m, 86.8 ft-lb) ← (G)



HU-00020

- | | | |
|---------------|---------------------------------|-----------------------|
| (A) Component | (D) Cautions | (G) Tightening torque |
| (B) Process | (E) Tool number of special tool | (H) Illustration |
| (C) Reference | (F) Name of special tool | |

7. DIAGNOSIS

Tables showing a step-by-step process make it easy to conduct diagnosis.

8. SI UNITS

Measurements in these manuals are according to the SI units. Metric and yard/pound measurements are also included.

Example:

Tightening torque:
44 N·m (4.5 kgf-m, 33 ft-lb)

9. EXPLANATION OF TERMINOLOGY

• List

AAI	: Air Assist Injection	I/O	: Input / Output
A/B	: Airbag	ISC	: Idle Speed Control
ABS	: Anti-lock Brake System	LED	: Light Emitting Diode
A/C	: Air Conditioner		
ACC	: Accessory	LH	: LH (Left Hand)
A/F	: Air Fuel Ratio	LSD	: Limited Slip Differential
ALT	: Generator	M/B	: Main Fuse & Relay Box
ASSY	: Assembly	MD	: Mini Disc
AT	: Automatic Transmission	MFI	: Multipoint Fuel Injection
ATF	: Automatic Transmission Fluid	MP-T	: Multi-Plate Transfer
AVCS	: Active Valve Control System	MT	: Manual Transmission
AWD	: All Wheel Drive	NA	: Natural Aspiration
BATT	: Battery	NC	: Normal Close (Relay)
CAN	: Controller Area Network	NO	: Normal Open (Relay)
CD-R/ RW	: CD Recordable/Rewritable	OP	: Option Parts
COMPL	: Complete	OBD	: On-Board Diagnosis
CPU	: Central Processing Unit	P/S	: Power Steering
DCCD	: Driver's Control Center Differential	P/W	: Power Window
DOHC	: Double Overhead Camshaft	PCD	: Pitch Circle Diameter
DTC	: Diagnosis Trouble Code	PCV	: Positive Crankcase Ventilation
DOJ	: Double Offset Joint	PID	: Parameter Identification
DVD	: Digital Versatile Disc or Digital Video Disc	RAM	: Random Access Memory
		RH	: RH (Right Hand)
EBD	: Electric Brake Distribution	ROM	: Read Only Memory
		rpm	: Revolution Per Minute
ECM	: Engine Control Module	SOHC	: Single Overhead Camshaft
EGI	: Electronic Gasoline Injection	SRS	: Supplemental Restraint System
E/G	: Engine		
EGR	: Exhaust Gas Recirculation	SSM	: Subaru Select Monitor
ELR	: Emergency Locking Retractor	ST	: Special Tool
EX	: Exhaust	STD	: Standard
ETC	: Electronic Throttle Control	SW	: Switch
		T/B	: Turbo charger
F/B	: Fuse & Joint Box	TGV	: Tumble Generator Valve
FL	: Fusible Link	T/M	: Transmission
FWD	: Front Wheel Drive	UV	: Ultraviolet
GPS	: Global Positioning System	V.I.N.	: Vehicle Identification Number
HID	: High-Intensity Discharge	ViS-C	: Viscous Coupling
		VSV	: Vacuum Switching Valve
H/U	: Hydraulic Unit	VTD	: Variable Torque Distribution
IG	: Ignition	W/H	: Wiring Harness
IN	: Intake	Pr	: Primary
INT	: Intermittent	2ndr	: Secondary

How to Use This Manuals

HOW TO USE THIS MANUALS

Brought to you by Eris Studios
NOT FOR RESALE