

Brought to you by Eris Studios  
NOT FOR RESALE

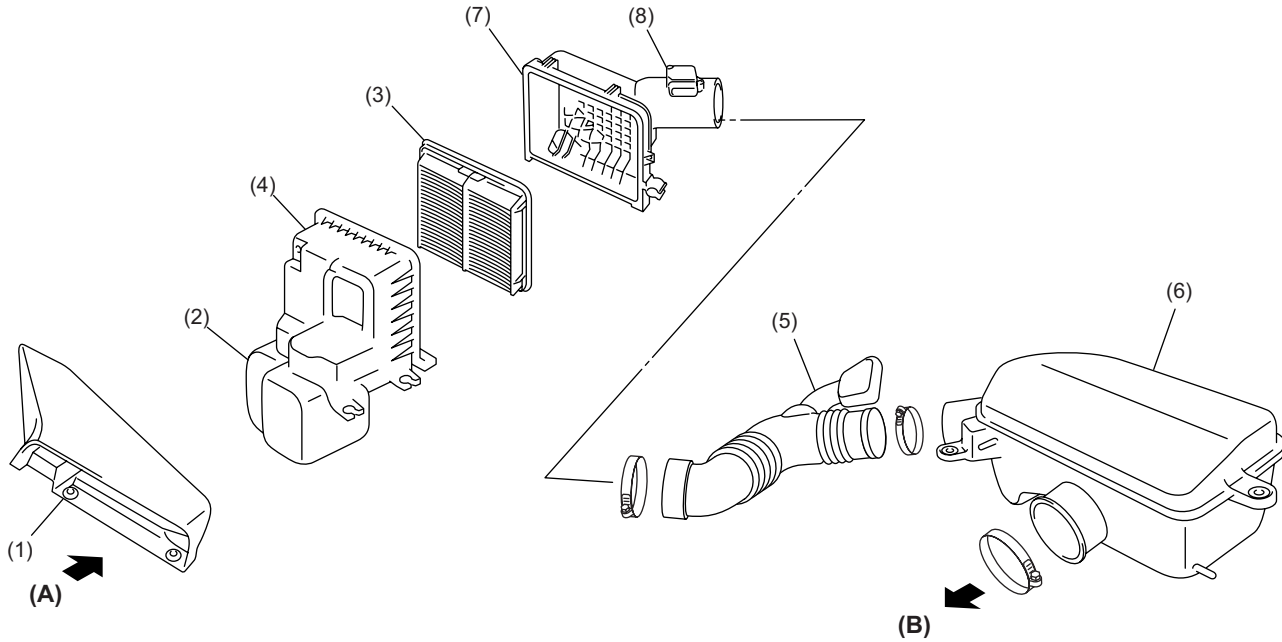
# **INTAKE (INDUCTION)**

# GENERAL

## INTAKE (INDUCTION)

### 1. General

The intake system consists of an intake duct, a resonator chamber, and an air cleaner element housed in its case. The resonator chamber effectively reduces the intake noise level.



IN-02086

- (1) Air intake duct
- (2) Resonator
- (3) Air cleaner element
- (4) Air cleaner case (front)
- (5) Intake duct
- (6) Air intake chamber
- (7) Air cleaner case (rear)
- (8) Mass air flow and intake air temperature sensor

- (A) Outside air
- (B) To throttle body