

Brought to you by Eris Studios
NOT FOR RESALE

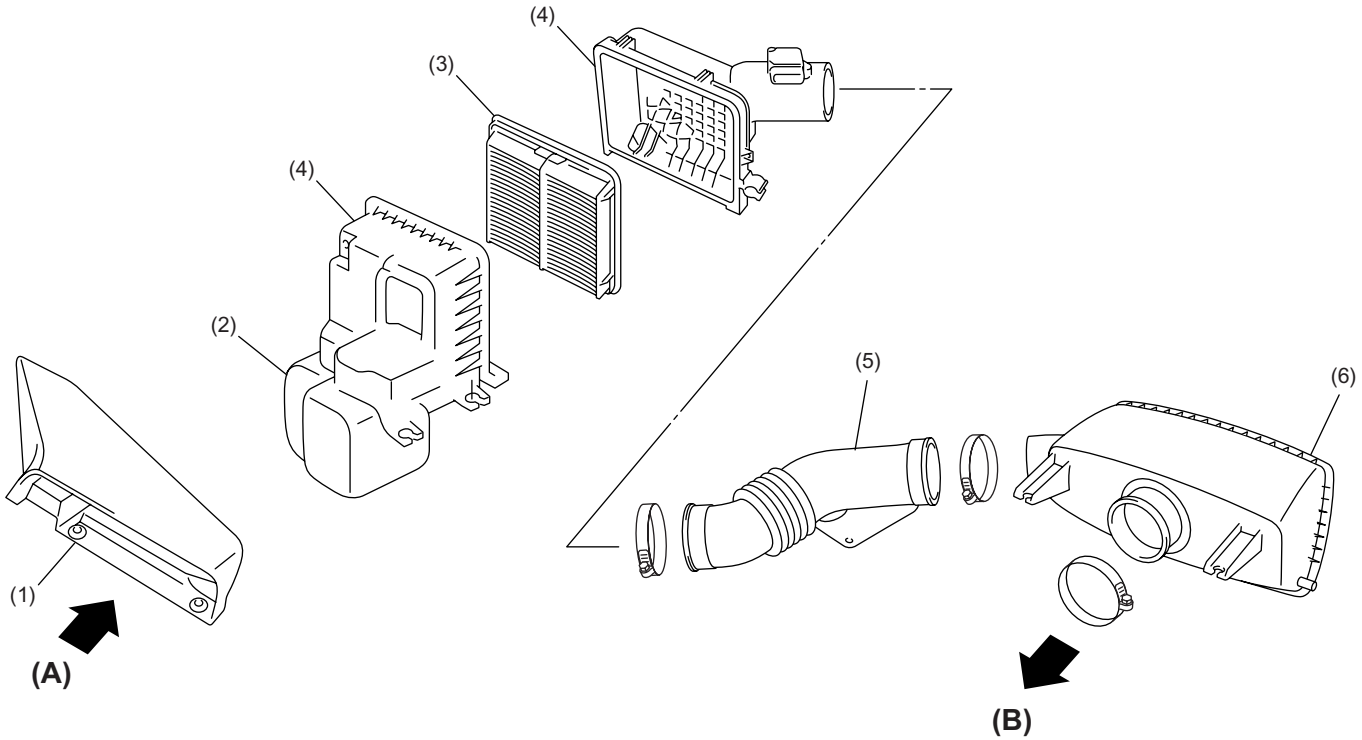
INTAKE (INDUCTION)

GENERAL

INTAKE (INDUCTION)

1. General

The intake system consists of an intake duct, a resonator chamber, and an air cleaner element housed in its case. The resonator chamber effectively reduces the intake noise level.



IN-02015

- (1) Intake duct
- (2) Resonator chamber
- (3) Air cleaner element
- (4) Air cleaner case
- (5) Intake duct
- (6) Air intake chamber

- (A) Outside air
- (B) To throttle body