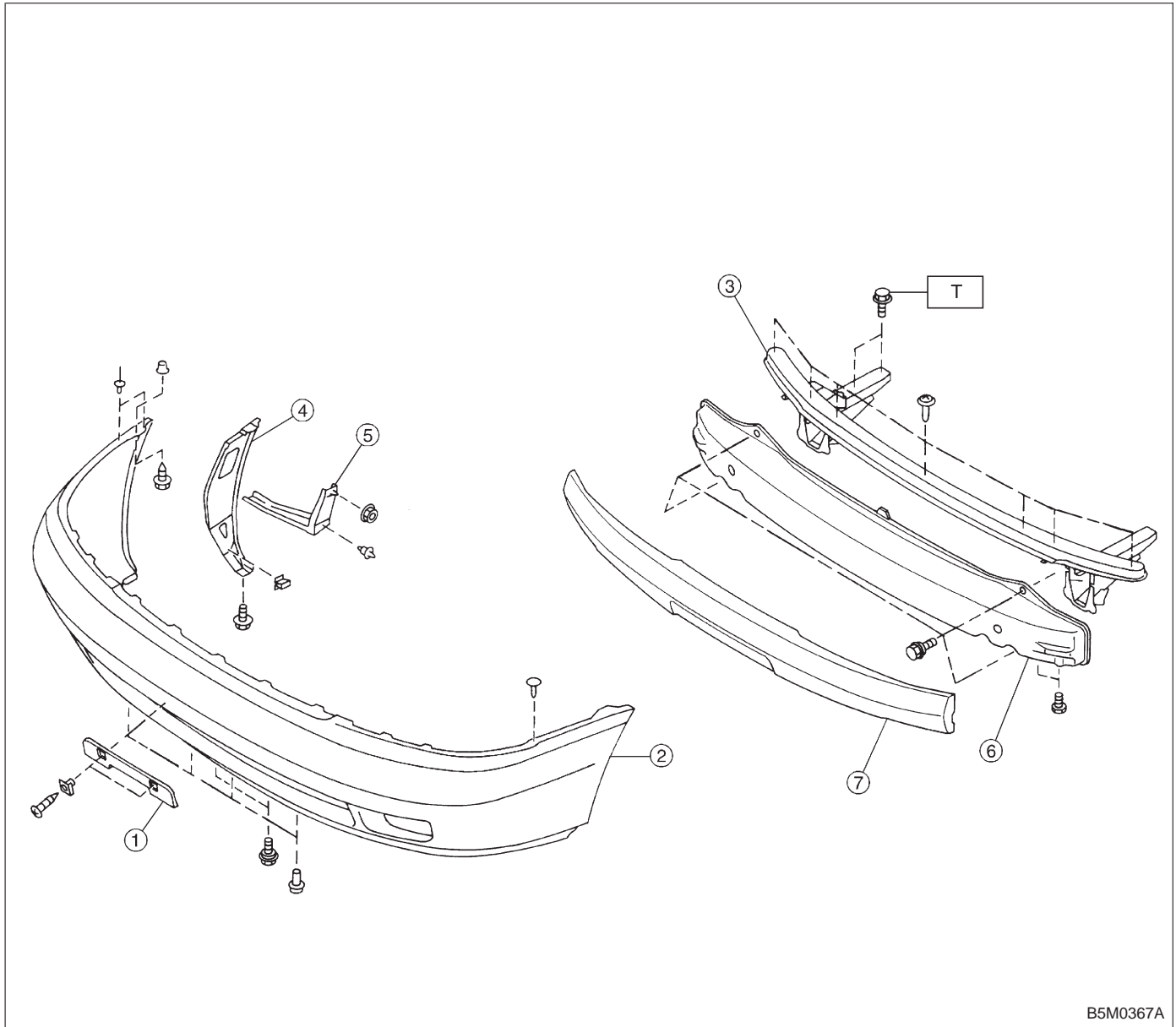


3. Front Bumper



B5M0367A

- ① Licence plate bracket
- ② Bumper face
- ③ Front bumper beam
- ④ Bracket
- ⑤ Stay
- ⑥ Back beam (Front)
- ⑦ E-A foam (Front)

Tightening torque: N·m (kg·m, ft·lb)
T: 93±25 (9.5±2.5, 69±18)