

B: INSTALLATION

- 1) Installation is in the reverse order of removal.
- 2) Check for alignment of front fender with hood and front door with front fender at all points. Adjust, if necessary.

9. Mud Guard and Rear Arch Protector **AIRBAG**

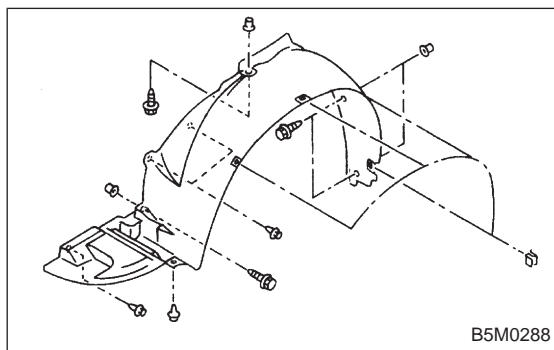
A: REMOVAL

SUPPLEMENTAL RESTRAINT SYSTEM "AIRBAG"

Airbag system wiring harness is routed near the mud guard.

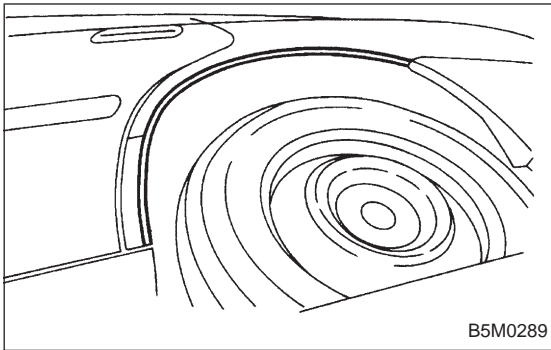
CAUTION:

- All Airbag system wiring harness and connectors are colored yellow. Do not use electrical test equipment on these circuits.
- Be careful not to damage Airbag system wiring harness when servicing the mud guard.



1. MUD GUARD

- 1) Jack-up vehicle to remove tire.
- 2) Remove screws and clips. Move mud guard toward the center of the body and remove mud guard.



2. REAR ARCH PROTECTOR

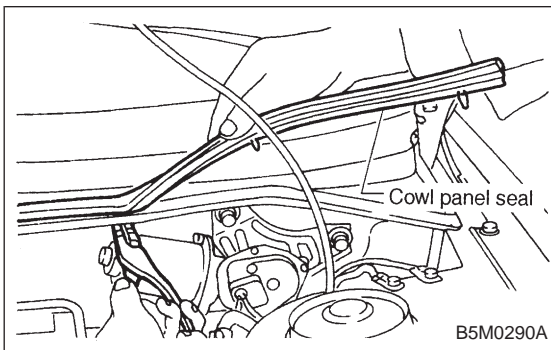
Remove rear arch protector.

B: INSTALLATION

Installation is in the reverse order of removal.

CAUTION:

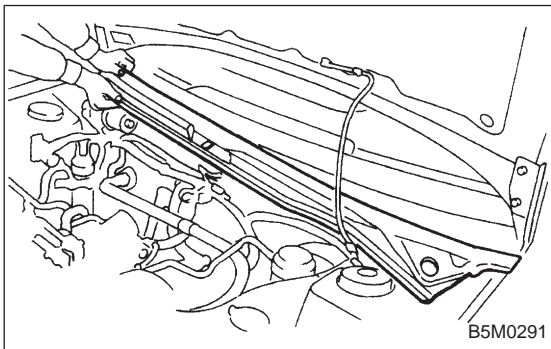
Only use new screws and clips.



10. Cowl Panel

A: REMOVAL

- 1) Remove wiper arms.
- 2) Open front hood.
- 3) Remove cowl panel seal using a plier.



- 4) Lift cowl panel and detach it from clips attached to body panel.

B: INSTALLATION

Installation is in the reverse order of removal.

NOTE:

When installing cowl panel, first attach a middle clip to the cap attached to body panel. Then tap the cowl panel to attach it to other clips.