

11. Molding and Retainer

A: REMOVAL

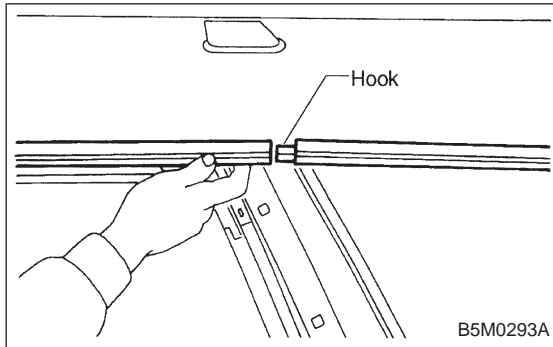
- 1) Remove weatherstrip.
- 2) Remove tapping screws.

B: INSTALLATION

Installation is in the reverse order of removal.

NOTE:

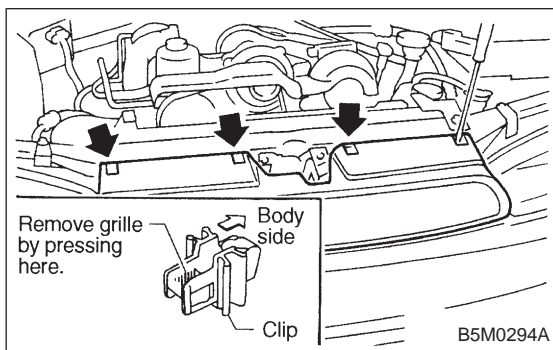
Insert molding and retainer onto hook, then fasten with screws.



12. Front Grille

A: REMOVAL

- 1) Remove four upper clips from body panel. To facilitate removal, press portion shown in figure using screwdriver.
- 2) Pull front grille to detach it from two lower clips. (Two lower clips remain on headlight.)



B: INSTALLATION

Attach all clips to grille. Align them with clip hole in body and push them into place.