

## 17. Power Door Lock

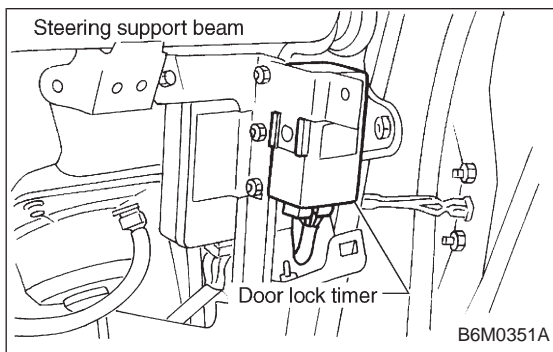
### A: REMOVAL AND INSTALLATION

#### 1. FRONT AND REAR DOOR, AND REAR GATE LOCK ACTUATOR

Refer to 5-2 [W2A7] as for removal and installation of front door lock actuator, rear door lock actuators, and rear gate lock actuator.

#### NOTE:

To remove and install the actuators, it is necessary to disassemble the door component parts.



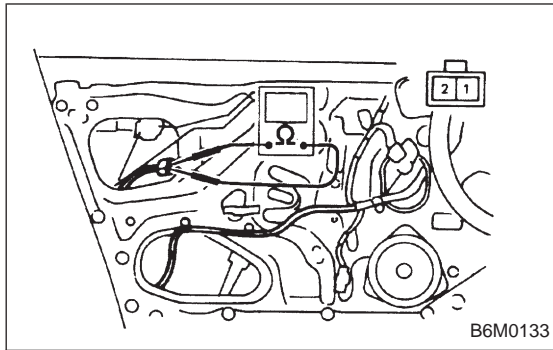
#### 2. DOOR LOCK TIMER

- 1) Remove glove box.
- 2) Remove back pocket cover.
- 3) Remove two bolts located at the rear of back pocket cover.
- 4) Remove instrument panel side right cover and bolt.
- 5) Remove clip located at the inside end of instrument panel.
- 6) Remove nut which secures door lock timer, and remove door lock timer from bracket while pulling right side lower end of instrument panel.

#### CAUTION:

**Be careful not to damage instrument panel while pulling its right side lower end.**

- 7) Disconnect connector from door lock timer.
- 8) Installation is in the reverse order of removal.

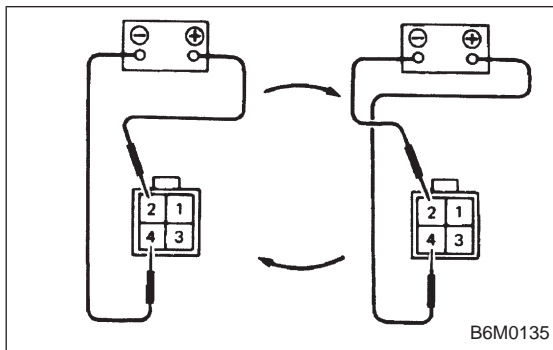


## B: INSPECTION

### 1. DOOR LOCK SWITCH (DRIVER'S DOOR)

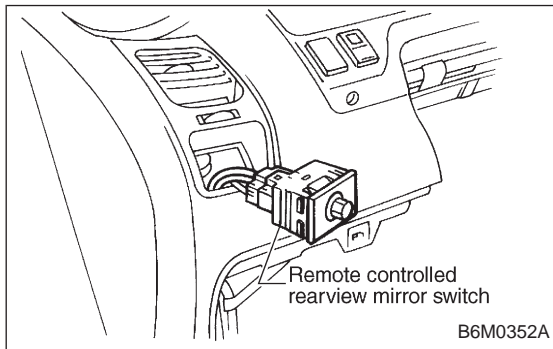
- 1) Remove door trim panel. <Ref. to 5-2 [W2A2].>
- 2) Disconnect connector of door switch.
- 3) Set switch to each position and check continuity between terminals as indicated in table below:

| Terminal        | 1      | 2      |
|-----------------|--------|--------|
| Switch position |        |        |
| UNLOCK          | ○————○ | ○————○ |
| LOCK            |        |        |



### 2. ACTUATOR

- 1) Remove door trim panel. <Ref. to 5-2 [W2A2].>
- 2) Disconnect connector of actuator.
- 3) Make sure that door link moves to LOCK or UNLOCK position when battery voltage is applied between terminals as described below:
  - Connect battery positive (+) terminal to terminal No. 2, and negative (-) terminal to terminal No. 4 at a moment.
  - Connect battery positive (+) terminal to terminal No. 4, and negative terminal (-) to terminal No. 2 at a moment.



## 18. Remote Controlled Rearview Mirror

### A: REMOVAL AND INSTALLATION

#### 1. REMOTE CONTROLLED REARVIEW MIRROR SWITCH

- 1) Remove rearview mirror switch from instrument panel by using a small standard screwdriver.

#### CAUTION:

**Do not pry rearview mirror switch forcefully as this may scratch instrument panel.**

- 2) Remove rearview mirror switch while disconnecting connector.