

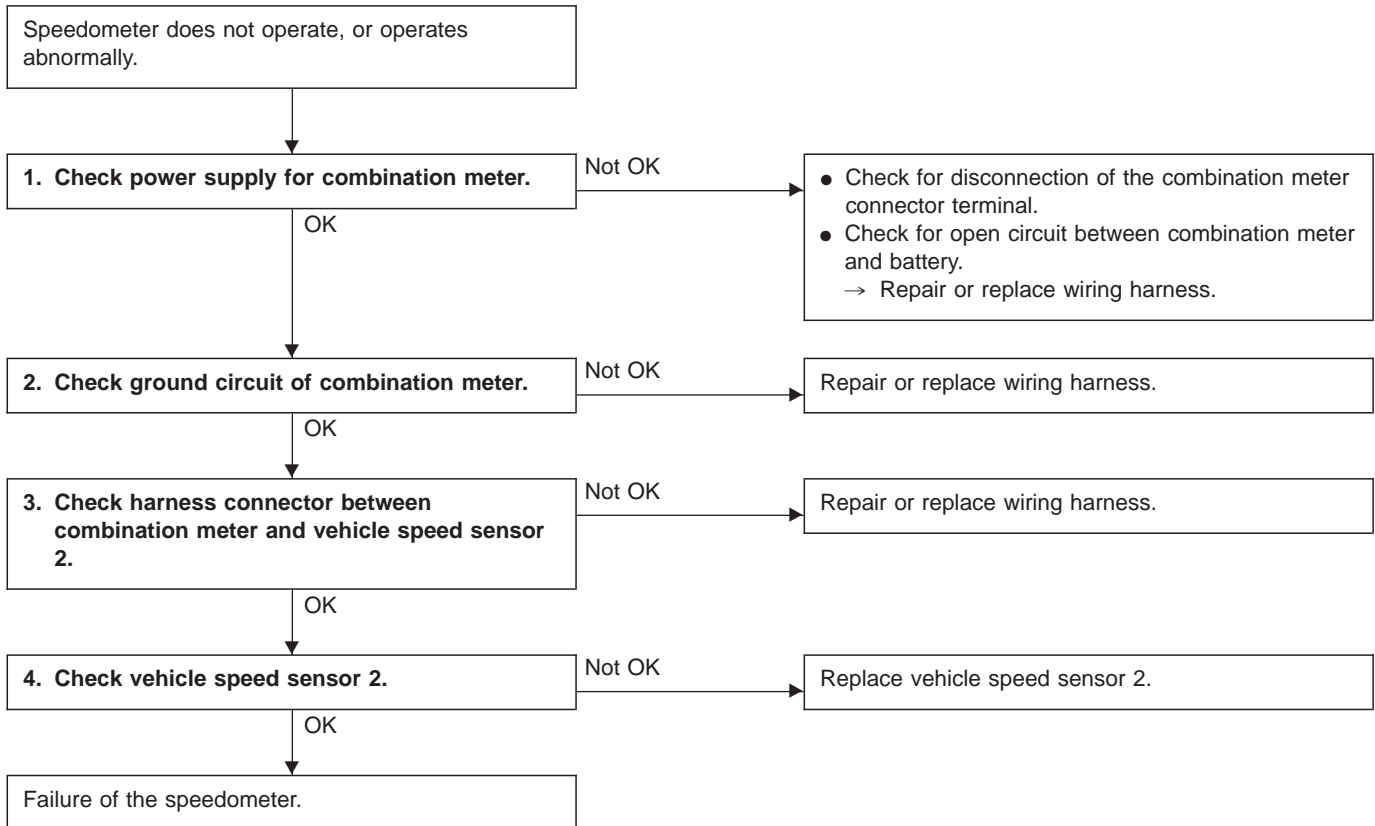
3. Combination Meter

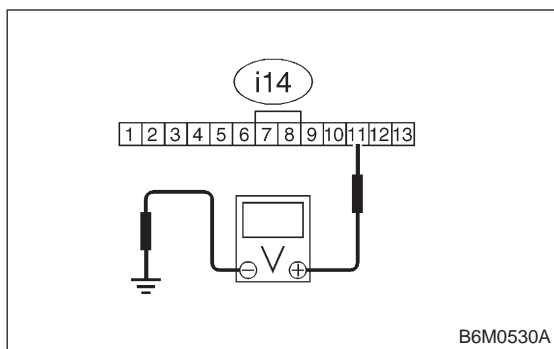
A: DIAGNOSTICS PROCEDURE

If speedometer does not operate, or operates abnormally, check combination meter circuit (shown in flow chart as described below).

CAUTION:

Make sure that trouble code of vehicle speed sensor 2 system appears in electrical system on-board diagnosis.

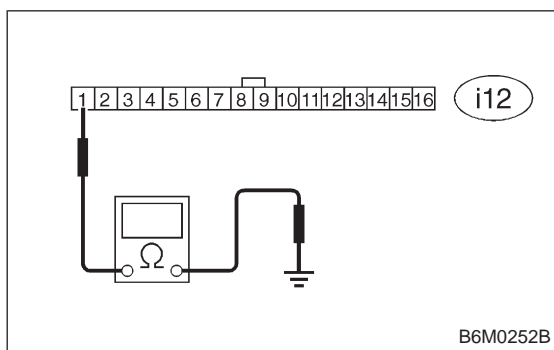




1. CHECK POWER SUPPLY FOR COMBINATION METER.

- 1) Remove combination meter.
- 2) Turn ignition switch to ON.
- 3) Measure voltage at combination meter connector terminal.

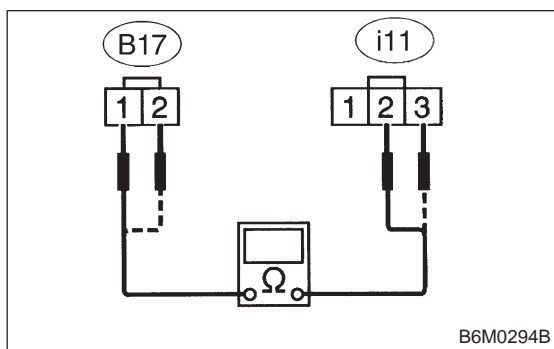
Connector & terminal / Specified voltage:
(i14) No. 11 — Body / 10 V, or more



2. CHECK GROUND CIRCUIT OF COMBINATION METER.

- 1) Turn ignition switch to OFF.
- 2) Measure resistance of harness connector between combination meter and body.

Connector & terminal / Specified voltage:
(i12) No. 1 — Body / 10 Ω, max.



3. CHECK HARNESS CONNECTOR BETWEEN COMBINATION METER AND VEHICLE SPEED SENSOR 2.

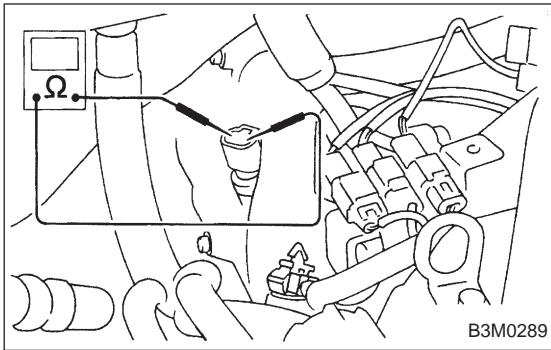
- 1) Disconnect connector from vehicle speed sensor 2.
- 2) Measure resistance of harness connector between vehicle speed sensor 2 and combination meter.

Connector & terminal / Specified resistance:
(B17) No. 1 — (i11) No. 2 / 10 Ω, max.
(B17) No. 2 — (i11) No. 3 / 10 Ω, max.

4. CHECK VEHICLE SPEED SENSOR 2.

NOTE:

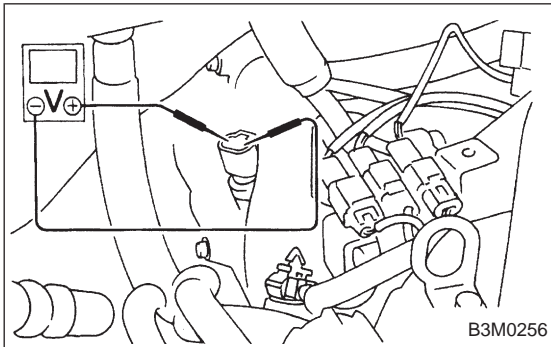
- If resistance between terminals of vehicle speed sensor 2 is out of specification, the sensor may have a failure.
- If resistance is OK and voltage between terminals of vehicle speed sensor 2 is out of specification, mechanical trouble may be present between vehicle speed sensor 2 and speedometer shaft in transmission.



- 1) Disconnect connector from vehicle speed sensor 2.
- 2) Measure resistance between terminals of vehicle speed sensor 2.

Terminals / Specified resistance:

No. 1 — No. 2 / 350 — 450 Ω



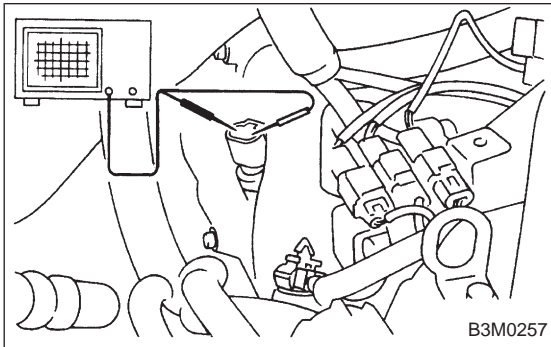
WARNING:

Be careful not to be caught up by the running wheels.

- 3) Set the vehicle on free roller, or lift-up the vehicle and support with safety stands.
- 4) Drive the vehicle at speed greater than 20 km/h (12 MPH).
- 5) Measure voltage between terminals of vehicle speed sensor 2.

Terminals / Specified voltage:

No. 1 — No. 2 / 5 V, min. (AC range)



- Using an oscilloscope:
 - (1) Turn ignition switch to OFF.
 - (2) Set oscilloscope to vehicle speed sensor 2.
 - (3) Drive the vehicle at speed greater than 20 km/h (12 MPH).
 - (4) Measure signal voltage.

Specified voltage (V): 5 V, min.

