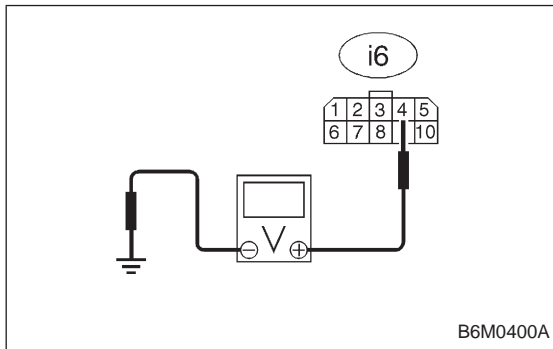
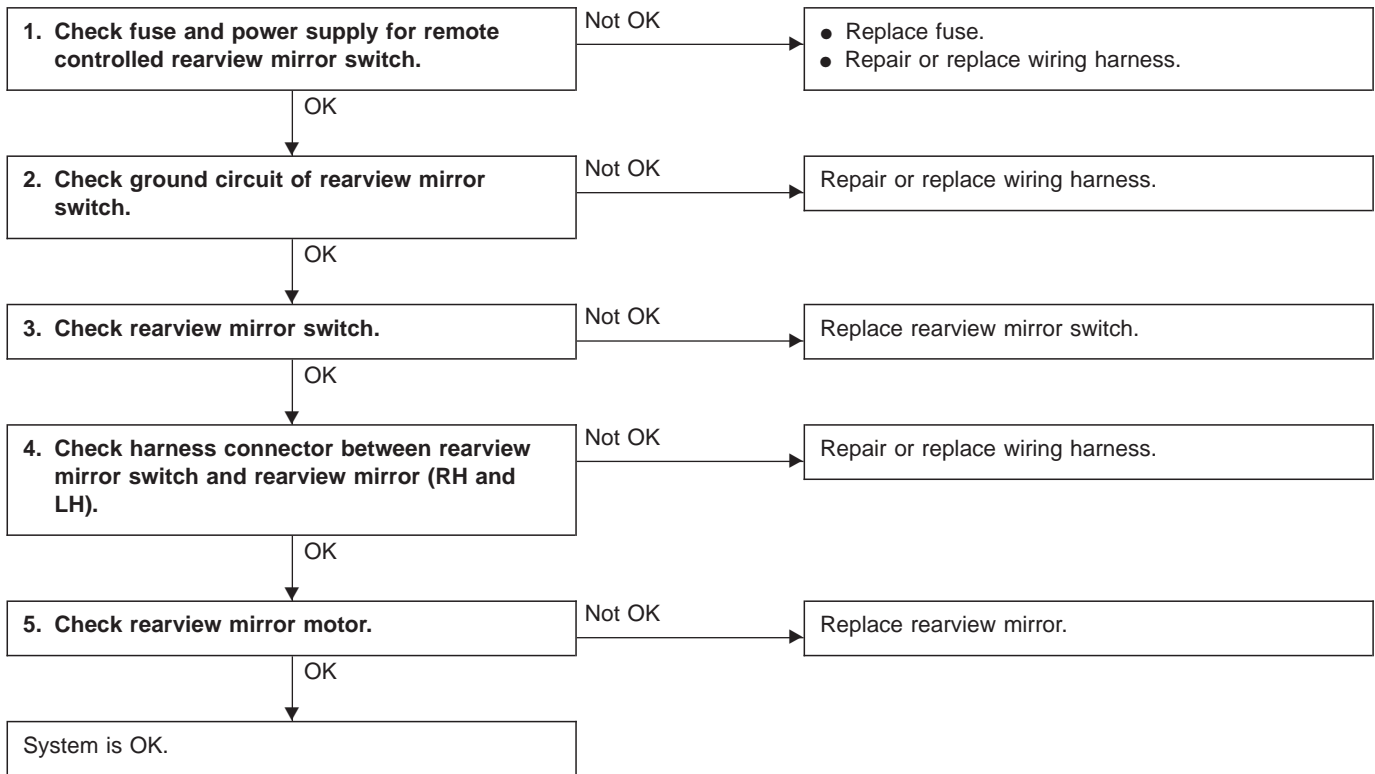


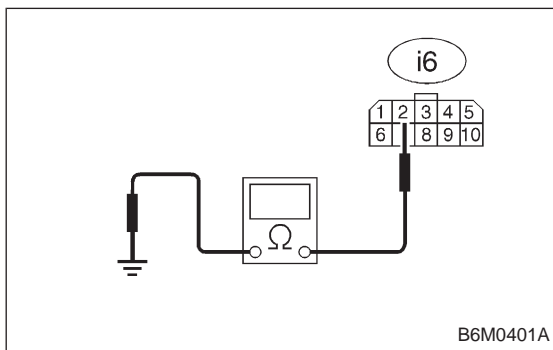
## 5. Remote Controlled Rearview Mirror A: DIAGNOSTICS PROCEDURE



### 1. CHECK FUSE AND POWER SUPPLY FOR REMOTE CONTROLLED REARVIEW MIRROR SWITCH.

- 1) Check fuse No. 3.
- 2) Disconnect connector of rearview mirror switch.
- 3) Turn ignition switch to ON.
- 4) Measure voltage between rearview mirror switch connector and body.

**Connector & terminal / Specified voltage:**  
*(i6) No. 4 — Body / 10 V, or more*



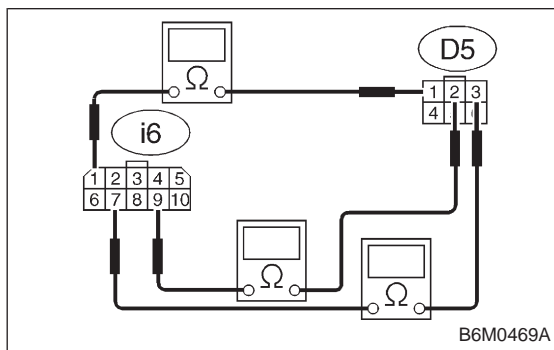
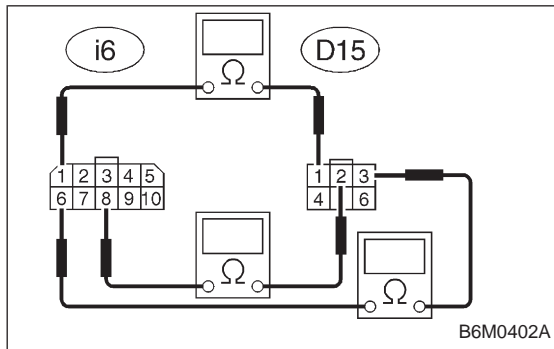
### 2. CHECK GROUND CIRCUIT OF REARVIEW MIRROR SWITCH.

- 1) Disconnect connector of rearview mirror switch.
- 2) Measure resistance of harness connector between rearview mirror switch and body.

**Connector & terminal / Specified resistance:**  
*(i6) No. 2 — Body / 10 Ω, max.*

**3. CHECK REARVIEW MIRROR SWITCH.**

Refer to 6-2 [W18B1] for inspection of rearview mirror switch.

**4. CHECK HARNESS CONNECTOR BETWEEN REARVIEW MIRROR SWITCH AND REARVIEW MIRROR (RH AND LH).**

- 1) Disconnect connectors of rearview mirror switch and rearview mirror.
- 2) Measure resistance of harness connector between rearview mirror switch and rearview mirror.

**Connector & terminal / Specified resistance:****LHD model:**

- (i6) No. 1 — (D15) No. 1 / 10 Ω, max. (RH)
- (i6) No. 8 — (D15) No. 2 / 10 Ω, max. (RH)
- (i6) No. 6 — (D15) No. 3 / 10 Ω, max. (RH)
- (i6) No. 1 — (D5) No. 1 / 10 Ω, max. (LH)
- (i6) No. 9 — (D5) No. 2 / 10 Ω, max. (LH)
- (i6) No. 7 — (D5) No. 3 / 10 Ω, max. (LH)

**RHD model:**

- (i6) No. 1 — (D5) No. 1 / 10 Ω, max. (RH)
- (i6) No. 8 — (D5) No. 2 / 10 Ω, max. (RH)
- (i6) No. 6 — (D5) No. 3 / 10 Ω, max. (RH)
- (i6) No. 1 — (D15) No. 1 / 10 Ω, max. (LH)
- (i6) No. 9 — (D15) No. 2 / 10 Ω, max. (LH)
- (i6) No. 7 — (D15) No. 3 / 10 Ω, max. (LH)

**5. CHECK REARVIEW MIRROR MOTOR.**

Refer to 6-2 [W18B2] for inspection of rearview mirror motor.