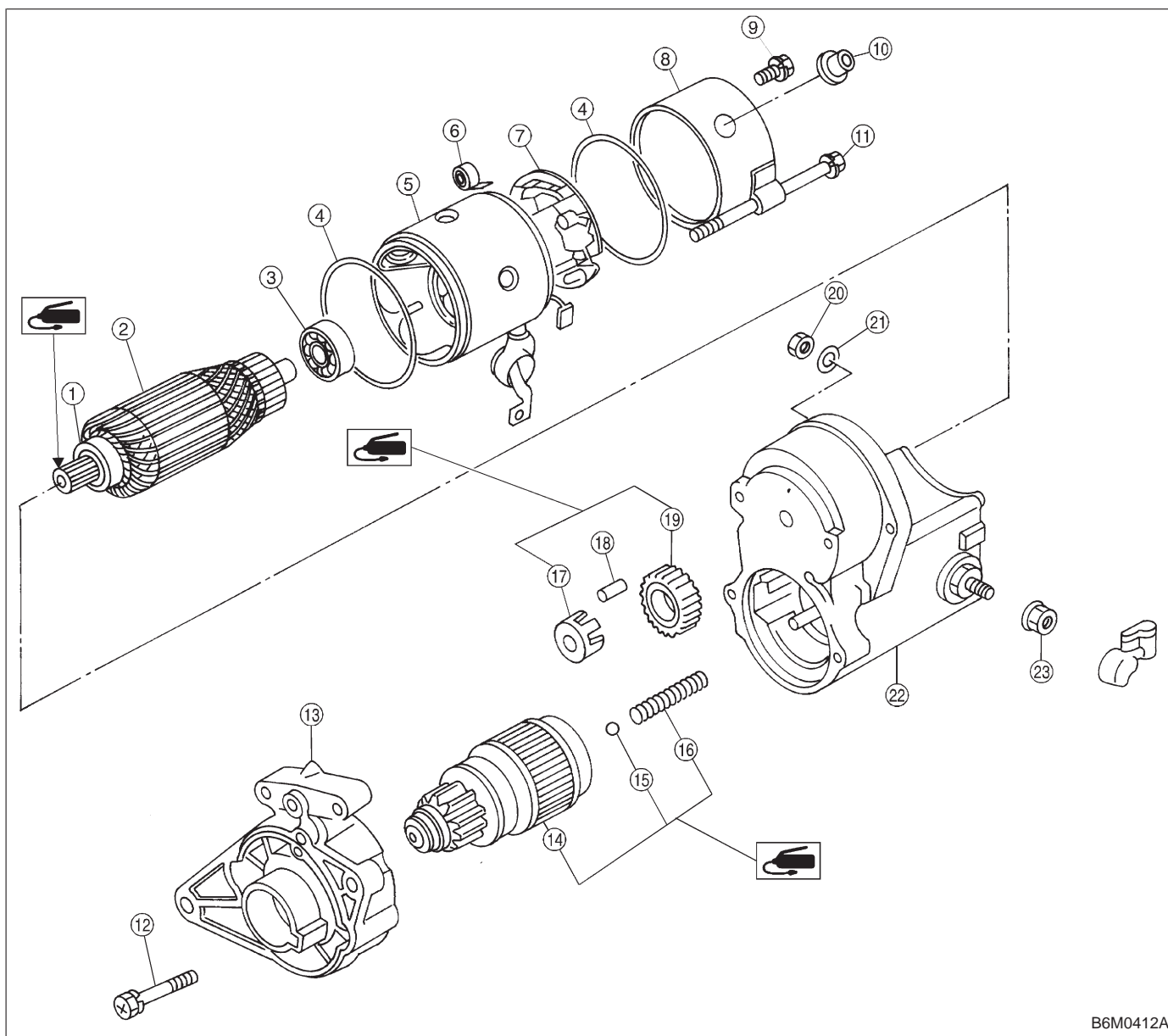


1. Starter

1. MT: 128000-8311

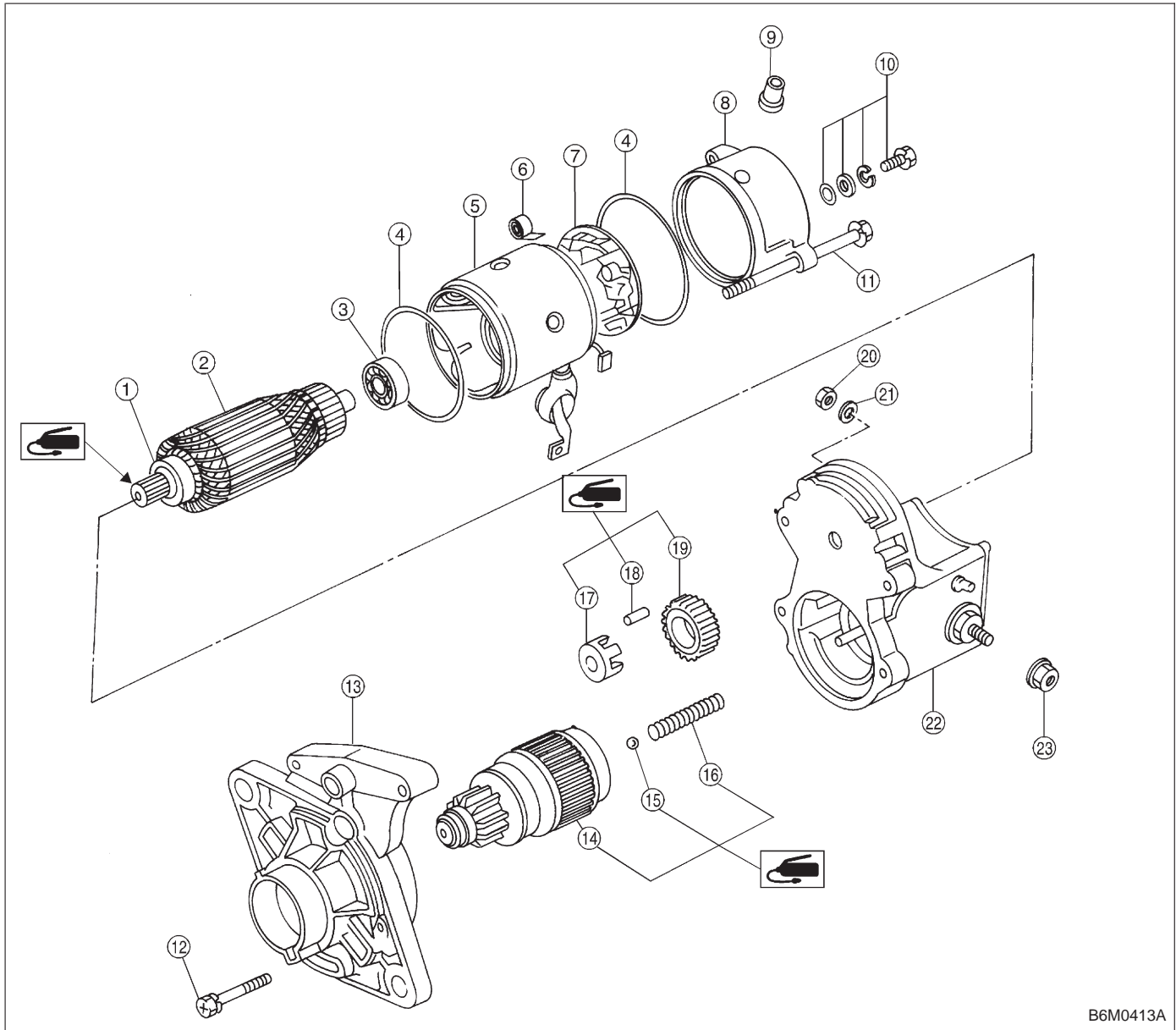


B6M0412A

- ① Front ball bearing
- ② Armature
- ③ Rear ball bearing
- ④ O-ring
- ⑤ Yoke
- ⑥ Brush spring
- ⑦ Brush holder
- ⑧ End frame
- ⑨ Screw & washer
- ⑩ Cover
- ⑪ Through bolt
- ⑫ Screw & washer

- ⑬ Starter housing
- ⑭ Overrunning clutch
- ⑮ Steel ball
- ⑯ Spring
- ⑰ Retainer
- ⑱ Roller
- ⑲ Idle gear
- ⑳ Nut
- ㉑ Spring washer
- ㉒ Magnet switch
- ㉓ Nut

2. AT: 128000-8321



B6M0413A

- ① Front ball bearing
- ② Armature
- ③ Rear ball bearing
- ④ O-ring
- ⑤ Yoke
- ⑥ Brush spring
- ⑦ Brush holder
- ⑧ End frame
- ⑨ Cover
- ⑩ Screw & washer
- ⑪ Through bolt
- ⑫ Screw & washer

- ⑬ Starter housing
- ⑭ Overrunning clutch
- ⑮ Steel ball
- ⑯ Spring
- ⑰ Retainer
- ⑱ Roller
- ⑲ Idle gear
- ⑳ Nut
- ㉑ Spring washer
- ㉒ Magnet switch
- ㉓ Nut