**B: INSPECTION**

Using accurate tester, inspect the following items, and replace if defective.

- 1) Primary resistance
- 2) Secondary coil resistance

**CAUTION:**

If the resistance is extremely low, this indicates the presence of a short-circuit.

**Specified resistance:**

**[Primary side]**

**Between ① and ②**

**Between ③ and ④**

**0.69 Ω±10%**

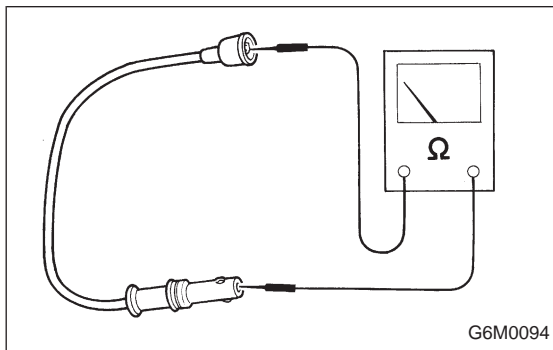
**[Secondary side]**

**Between terminal No. 1 and No. 2**

**Between terminal No. 2 and No. 3**

**21.0 kΩ±15%**

- 3) Insulation between primary terminal and case: 10 MΩ or more.

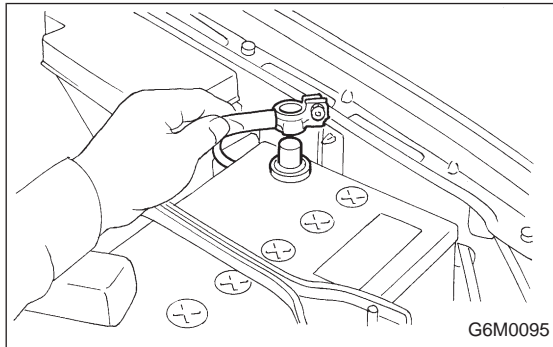
**5. Spark Plug Cord****A: INSPECTION**

Check for:

- 1) Damage to cords, deformation, burning or rust formation of terminals
- 2) Resistance values of cords

**Resistance value:**

**5.12 — 12.34 kΩ**

**6. Ignitor****A: REMOVAL AND INSTALLATION**

- 1) Disconnect battery ground cable.
- 2) Disconnect connector from ignitor.
- 3) Remove screws which hold ignitor onto body.
- 4) Installation is in the reverse order of removal.

