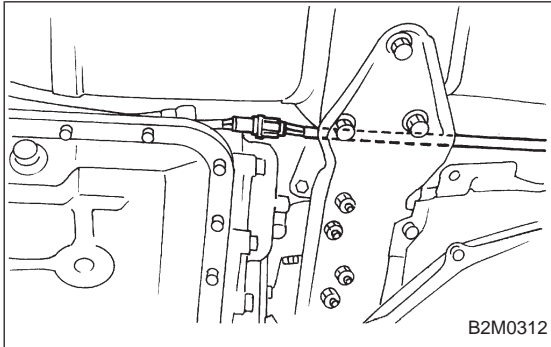


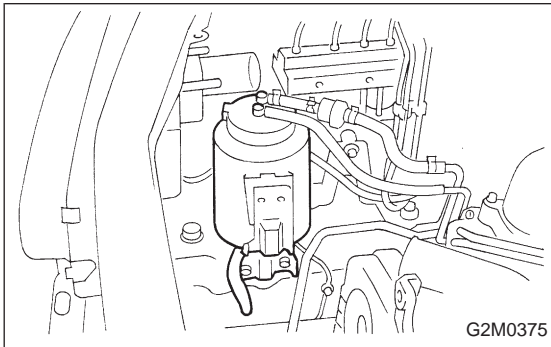
4) Tighten bolt which holds center exhaust pipe to hanger bracket.

Tightening torque:

35 ± 5 N·m (3.6 ± 0.5 kg-m, 26.0 ± 3.6 ft-lb)



5) Connect rear oxygen sensor connector.



3. Canister

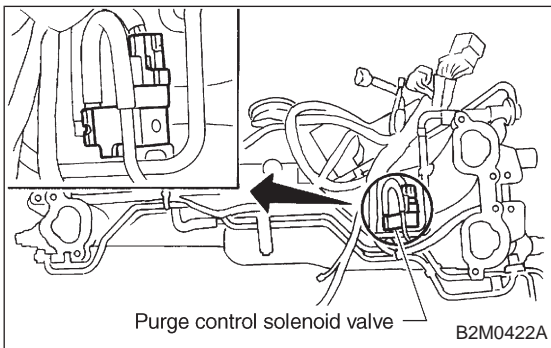
A: REMOVAL AND INSTALLATION

- 1) Disconnect canister hoses from evaporation pipes.
- 2) Remove canister with bracket.

3) Installation is in the reverse order of removal.

CAUTION:

Insert air vent hose of canister into the hole on body.



4. Purge Control Solenoid Valve

A: REMOVAL AND INSTALLATION

- 1) Remove bolt which installs purge control solenoid valve onto intake manifold.

NOTE:

This figure shows the rear side of intake manifold.