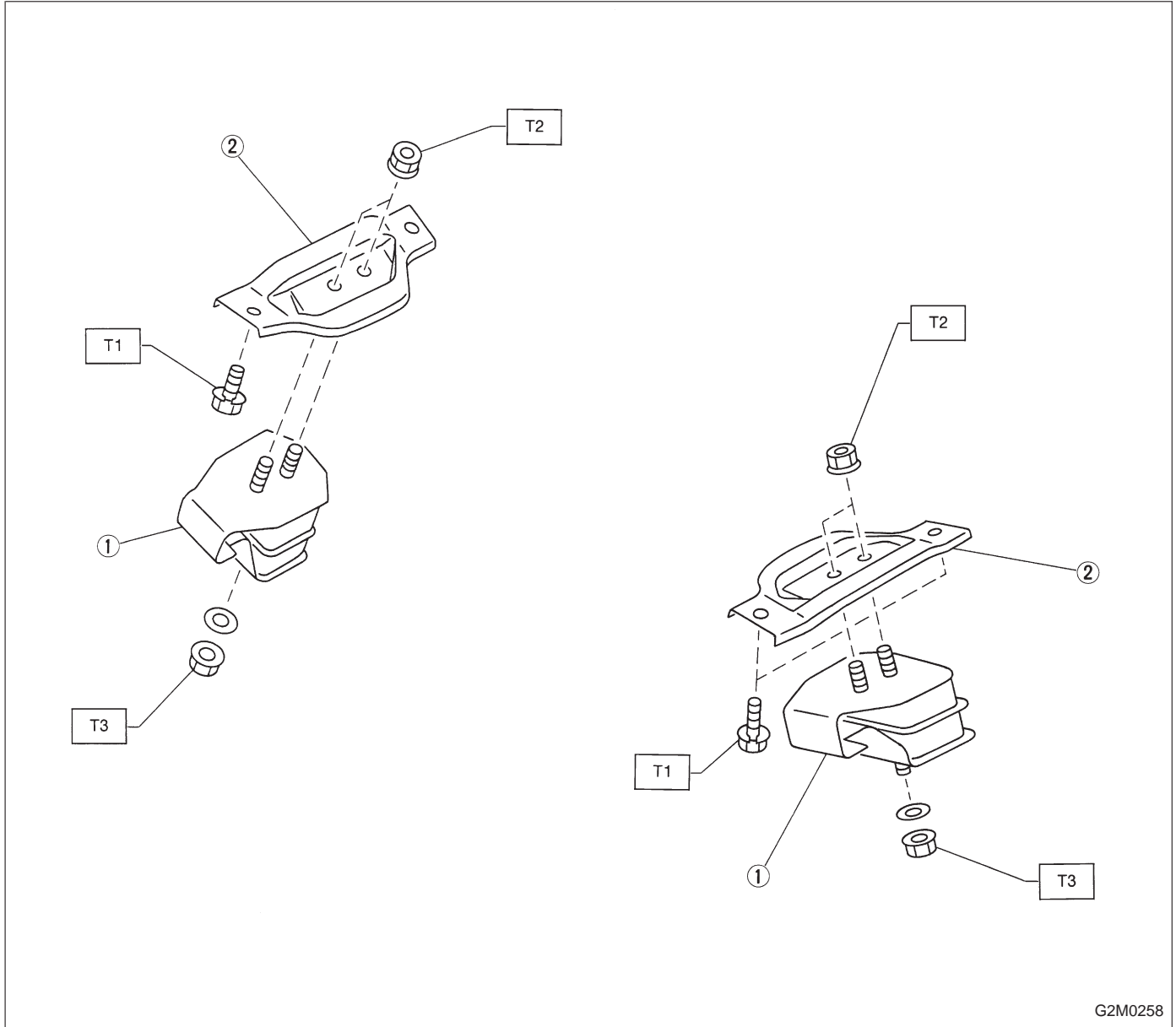


1. Engine Mounting



G2M0258

- ① Front cushion rubber
- ② Front engine mounting bracket

**Tightening torque: N.m (kg-m, ft-lb)**  
**T1: 26±7 (2.7±0.7, 19.5±5.1)**  
**T2: 41±10 (4.2±1.0, 30±7)**  
**T3: 79±15 (8.0±1.5, 58±11)**