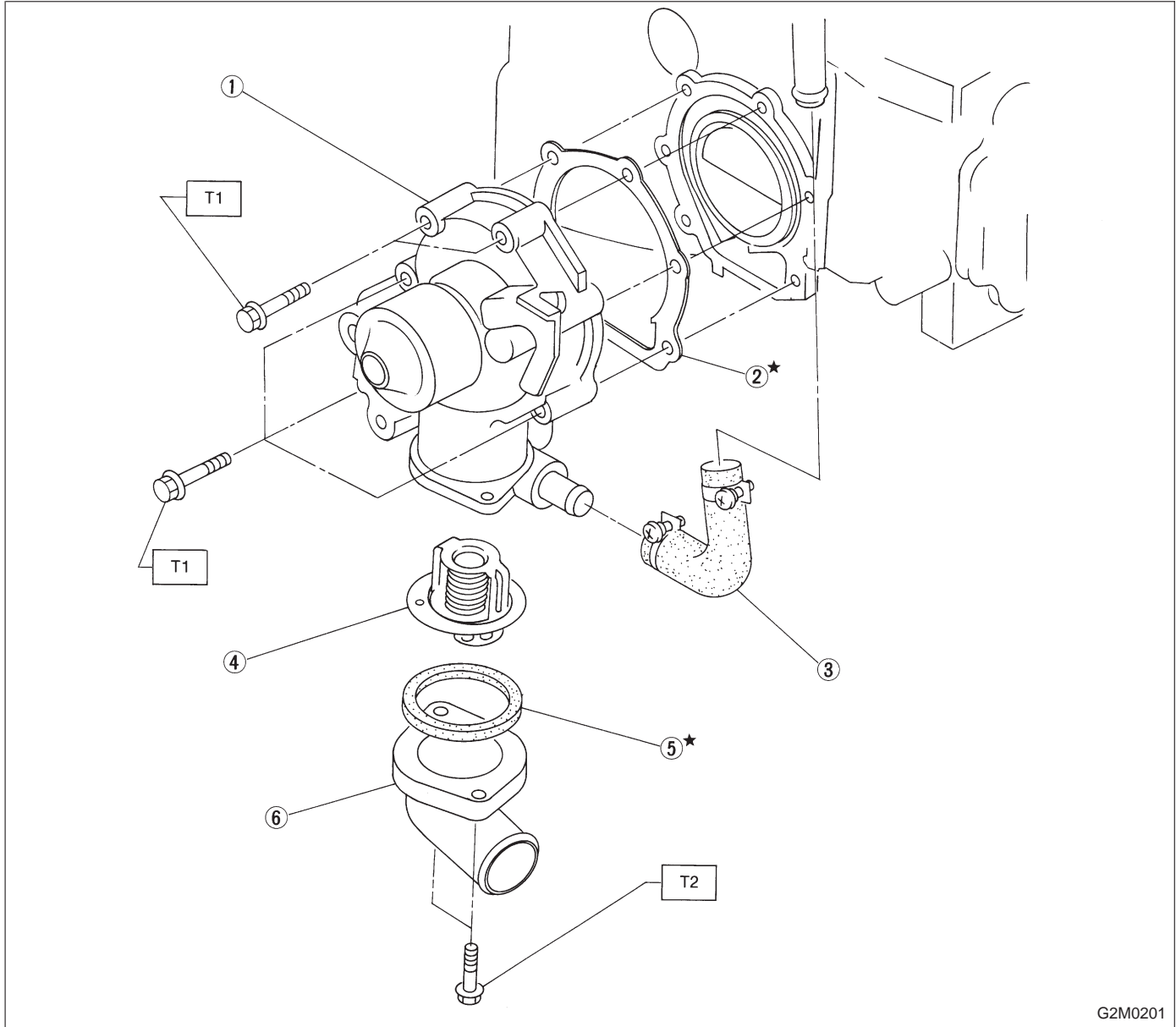


1. Engine Coolant Pump



- ① Engine coolant pump ASSY
- ② Gasket
- ③ Heater hose
- ④ Thermostat
- ⑤ Gasket
- ⑥ Thermostat case

Tightening torque: N·m (kg·m, ft·lb)

T1: First 10_{-0}^{+4} (1.0 $_{-0}^{+0.4}$, 7.2 $_{-0}^{+2.9}$)
 Second 10_{-0}^{+4} (1.0 $_{-0}^{+0.4}$, 7.2 $_{-0}^{+2.9}$)

T2: 6.4 ± 0.5 (0.65 \pm 0.05, 4.7 \pm 0.4)