

G2M0213

C: INSTALLATION

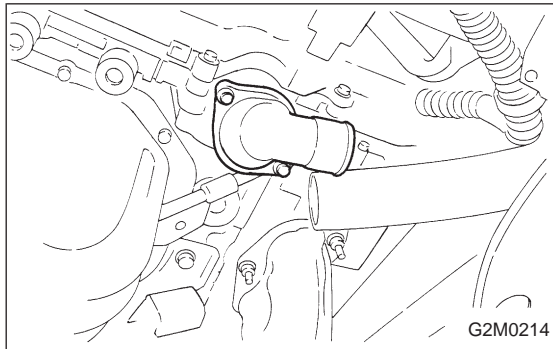
Installation is in the reverse order of removal.

CAUTION:

- Replace gasket with a new one.
- When installing engine coolant pump, tighten bolts in two stages in numerical sequence as shown in figure.

Tightening torque:

$10_{-0}^{+4} N\cdot m$ ($1.0_{-0}^{+0.4} kg\cdot m$, $7.2_{-0}^{+2.9} ft\cdot lb$)

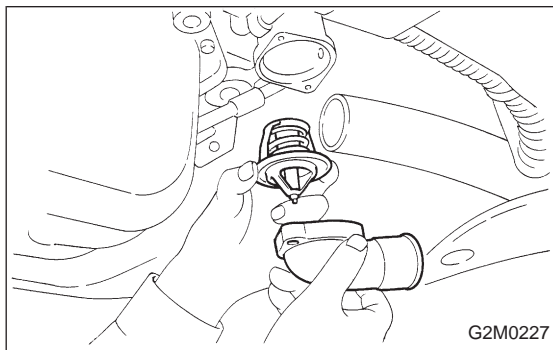


G2M0214

3. Thermostat

A: REMOVAL AND INSTALLATION

- 1) Drain engine coolant. Set container under the vehicle, and remove drain cock from radiator.
- 2) Disconnect radiator outlet hose from thermostat cover.
- 3) Remove thermostat cover and gasket, and pull out the thermostat.

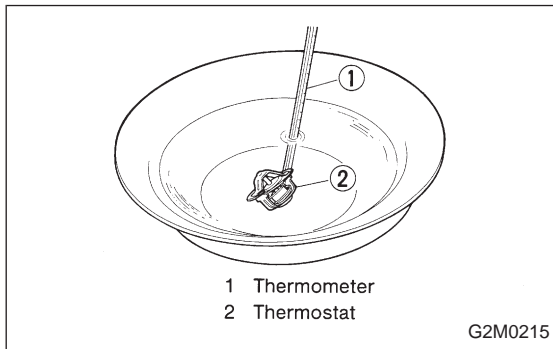


G2M0227

- 4) Install the thermostat in the intake manifold, and install the thermostat cover together with a gasket.

CAUTION:

- When reinstalling the thermostat, use a new gasket.
- The thermostat must be installed with the jiggle pin upward.
- In this time, set the jiggle pin of thermostat for front side.



1 Thermometer
2 Thermostat

G2M0215

B: INSPECTION

Replace the thermostat if the valve does not close completely at an ambient temperature or if the following test shows unsatisfactory results.

Immerse the thermostat and a thermometer in water. Raise water temperature gradually, and measure the temperature and valve lift when the valve begins to open and when the valve is fully opened. During the test, agitate the water for even temperature distribution. The measurement should be to the specification.

Starts to open:

$76.0 - 80.0^{\circ}C$ ($169 - 176^{\circ}F$)

Fully opens:

$91^{\circ}C$ ($196^{\circ}F$)