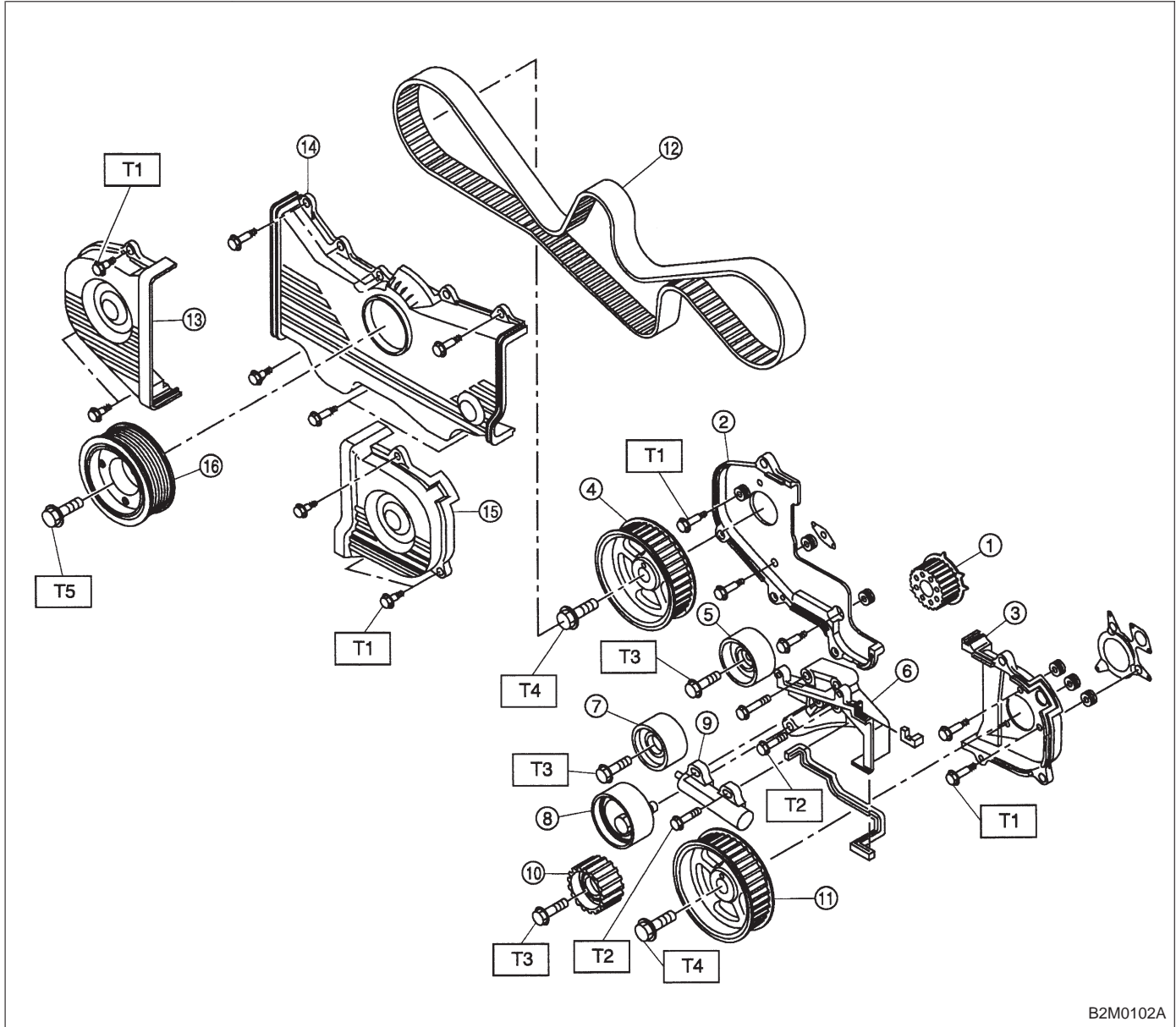


1. Timing Belt



B2M0102A

- ① Crankshaft sprocket
- ② Belt cover No. 2 (RH)
- ③ Belt cover No. 2 (LH)
- ④ Camshaft sprocket (RH)
- ⑤ Belt idler
- ⑥ Tensioner bracket
- ⑦ Belt idler
- ⑧ Belt tensioner
- ⑨ Tensioner adjuster
- ⑩ Belt idler No. 2
- ⑪ Camshaft sprocket (LH)
- ⑫ Timing belt

- ⑬ Belt cover (RH)
- ⑭ Front belt cover
- ⑮ Belt cover (LH)
- ⑯ Crankshaft pulley

Tightening torque: N·m (kg·m, ft·lb)

T1: 5±1 (0.5±0.1, 3.6±0.7)
 T2: 25±2 (2.5±0.2, 18.1±1.4)
 T3: 39±4 (4.0±0.4, 28.9±2.9)
 T4: 78±5 (8.0±0.5, 57.9±3.6)
 T5: 108⁺¹⁰₋₅ (11^{+1.0}_{-0.5}, 79.6^{+7.2}_{-3.6})