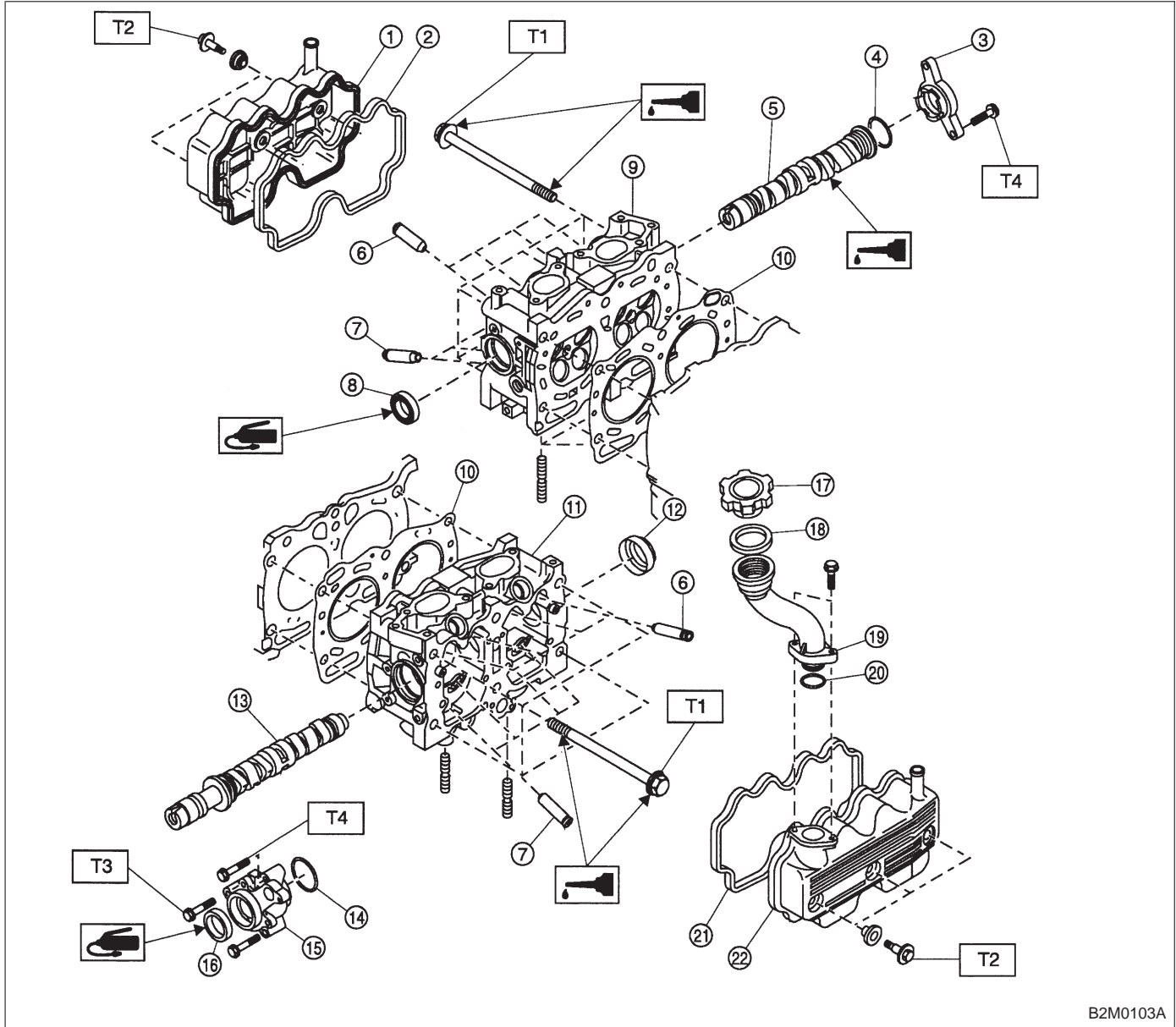


2. Cylinder Head and Camshaft



- ① Rocker cover (RH)
- ② Rocker cover gasket
- ③ Camshaft support (RH)
- ④ O-ring
- ⑤ Camshaft (RH)
- ⑥ Intake valve guide
- ⑦ Exhaust valve guide
- ⑧ Oil seal
- ⑨ Cylinder head (RH)
- ⑩ Cylinder head gasket
- ⑪ Cylinder head (LH)
- ⑫ Plug
- ⑬ Camshaft (LH)
- ⑭ O-ring
- ⑮ Camshaft support (LH)

- ⑯ Oil seal
- ⑰ Oil filler cap
- ⑱ Gasket
- ⑲ Oil filler pipe
- ⑳ O-ring
- ㉑ Rocker cover gasket
- ㉒ Rocker cover (LH)

Tightening torque: N·m (kg·m, ft·lb)

T1: Refer to [W6E1].

T2: 5±1 (0.5±0.1, 3.6±0.7)

T3: 10 (1.0, 7)

T4: 16 (1.6, 12)