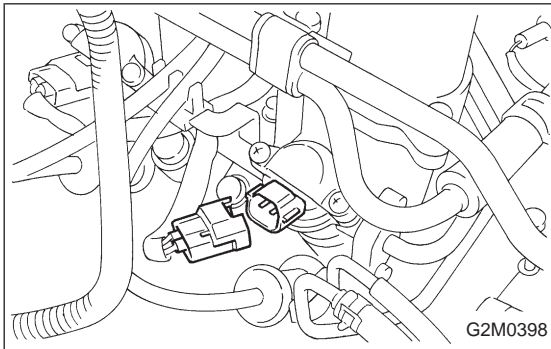


- 3) Remove pressure sources switching solenoid valve from bracket.
- 4) Installation is in the reverse order of removal.

Tightening torque:

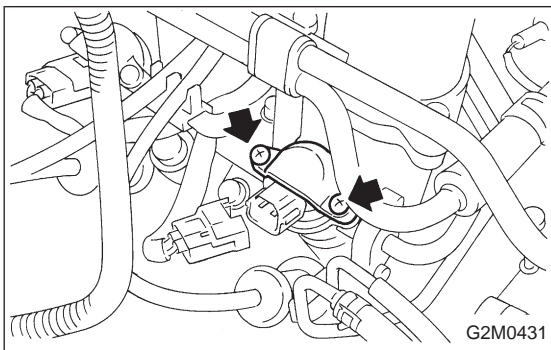
$6.4 \pm 0.5 \text{ N}\cdot\text{m}$ ($0.65 \pm 0.05 \text{ kg}\cdot\text{m}$, $4.7 \pm 0.4 \text{ ft}\cdot\text{lb}$)



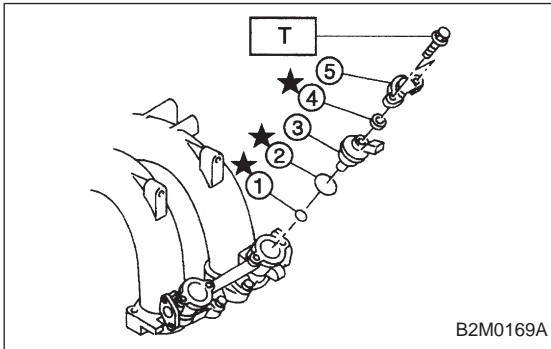
14. Fuel Injector

A: REMOVAL AND INSTALLATION

- 1) Release fuel pressure.
<Ref. to 2-8 [W1A0].>
- 2) Disconnect connector from fuel injector.



- 3) Remove fuel injector from fuel pipe assembly.



- 4) Installation is in the reverse order of removal.

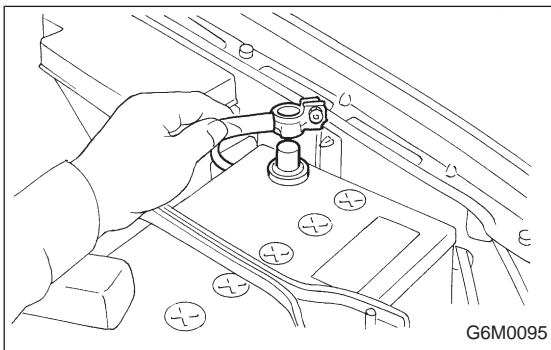
CAUTION:

Replace O-rings and insulator.

Tightening torque:

$T: 3.4 \pm 0.5 \text{ N}\cdot\text{m}$ ($0.35 \pm 0.05 \text{ kg}\cdot\text{m}$, $2.5 \pm 0.4 \text{ ft}\cdot\text{lb}$)

- ① O-ring B
- ② O-ring A
- ③ Fuel injector
- ④ Insulator
- ⑤ Fuel injector cup



15. Engine Control Module

A: REMOVAL AND INSTALLATION

- 1) Disconnect battery ground cable.