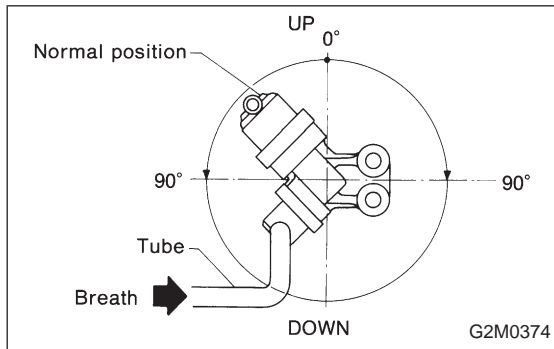


9. Roll Over Valve

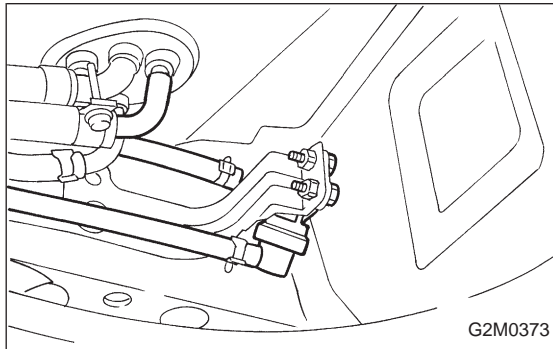
A: REMOVAL

- 1) Lift up the vehicle.
- 2) Remove roll over valve with bracket.
- 3) Disconnect hoses from roll over valve, and remove it from bracket.



B: INSPECTION

- 1) Connect hoses to roll over valve as shown in Figure.
- 2) While blowing through open end of hose, tilt valve at least 90° left and right from normal position.
- 3) Ensure that there is no air flow when hose is tilted greater than 90°.

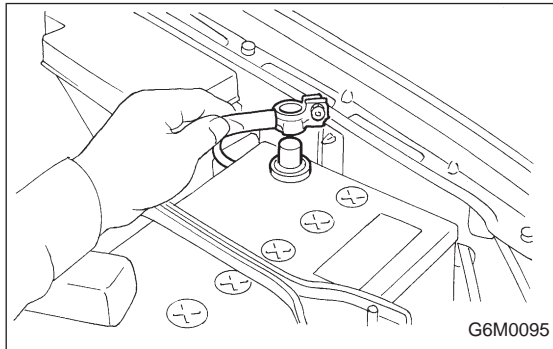


C: INSTALLATION

Installation is in the reverse order of removal.

CAUTION:

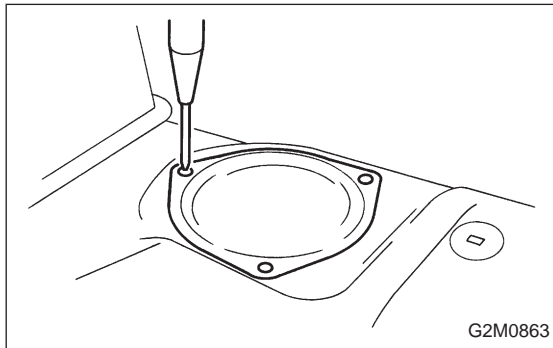
- Do not install top side of valve down.
- Before installing bracket on body, securely fit concave part of bracket to hole in body.



10. Fuel Sub Meter Unit (AWD model only)

A: REMOVAL AND INSTALLATION

- 1) Disconnect battery ground cable.



- 2) Remove rear seat.
- 3) Remove service hole cover.