

6. Discharge the System

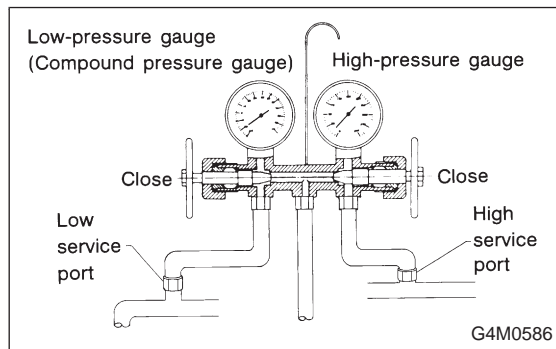
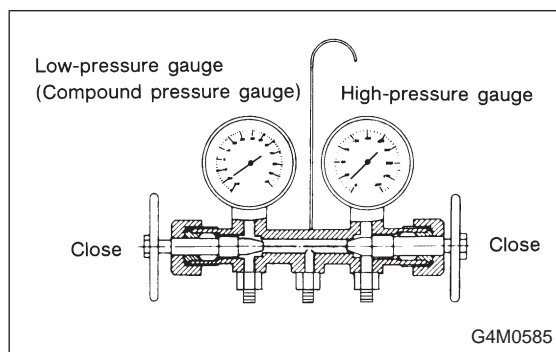
CAUTION:

The following points should be kept in mind when discharging the system.

- Be certain that goggles and gloves are worn.
- Connect refrigerant recovery system to manifold gauge set and remove recycle refrigerant from A/C system.

NOTE:

Refer to appropriate refrigerant recovery system instruction manual for operation.



1. CONNECTING THE MANIFOLD GAUGE SET

- 1) Close the high and low side manifold valves.

- 2) Turn the A/C system ON and turn the IG switch OFF.
- 3) Attach the high- and low-pressure manifolds to the high and low services port on the vehicle.

2. PREPARE FOR DISCHARGING

Connect the center manifold hose to the refrigerant recovery system to recycle refrigerant.