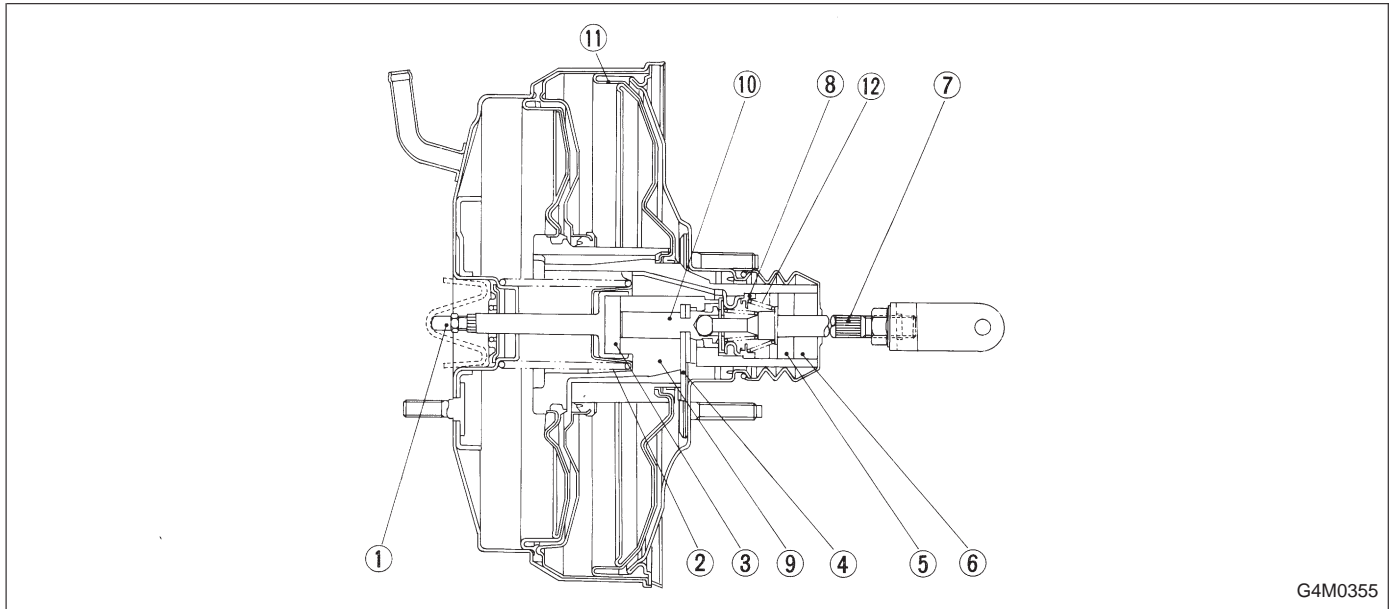


5. Brake Booster

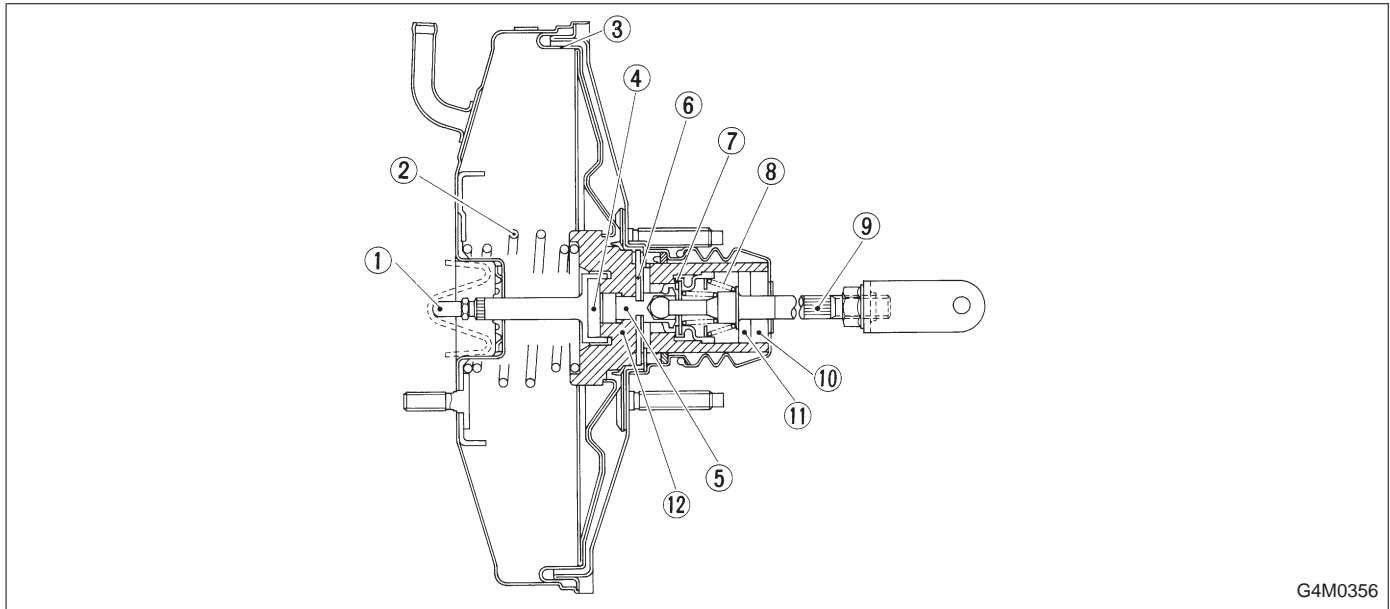
1. MODELS WITH ABS AND TCS



G4M0355

- | | | |
|-----------------|-----------------|-----------------------|
| ① Push rod | ⑤ Filter | ⑨ Valve body |
| ② Return spring | ⑥ Silencer | ⑩ Plunger valve |
| ③ Reaction disc | ⑦ Operating rod | ⑪ Diaphragm plate |
| ④ Key | ⑧ Poppet valve | ⑫ Valve return spring |

2. MODELS WITHOUT ABS AND TCS



G4M0356

- | | | |
|-------------------|-----------------------|-----------------|
| ① Push rod | ⑤ Plunger valve | ⑨ Operating rod |
| ② Return spring | ⑥ Key | ⑩ Silencer |
| ③ Diaphragm plate | ⑦ Poppet valve | ⑪ Filter |
| ④ Reaction disc | ⑧ Valve return spring | ⑫ Valve body |