**G: INSTALLATION**

1) Install hydraulic unit and bracket.

Tightening torque:

32 ± 7 N·m (3.3 ± 0.7 kg·m, 23.9 ± 5.1 ft·lb)

2) Connect brake pipes to their correct hydraulic unit connections. <Ref. to 4-4 [W18A3].>

3) Connect connector to hydraulic unit.

4) Install canister.

5) Install air cleaner case.

6) Install air intake duct.

7) Connect ground cable to battery.

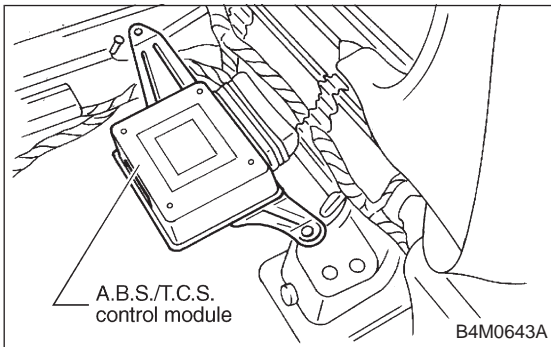
CAUTION:

Cover relay securely with rubber boot.

21. ABS/TCS Control Module**A: REMOVAL**

1) Disconnect ground cable from battery.

2) Remove floor mat located under lower right side of front seat.



3) Remove screw which secure ABS/TCS control module from the body.

4) Disconnect connector from ABS/TCS control module.

B: INSPECTION

Check that connector is connected correctly and that connector terminal sliding resistance is correct.

C: INSTALLATION

- 1) Connect connector to ABS/TCS control module.
- 2) Install ABS/TCS control module on the body.

CAUTION:

- **When installing seat rail, be careful no to have the harness caught in the rail.**
- **Cover the connector completely with rubber boot.**