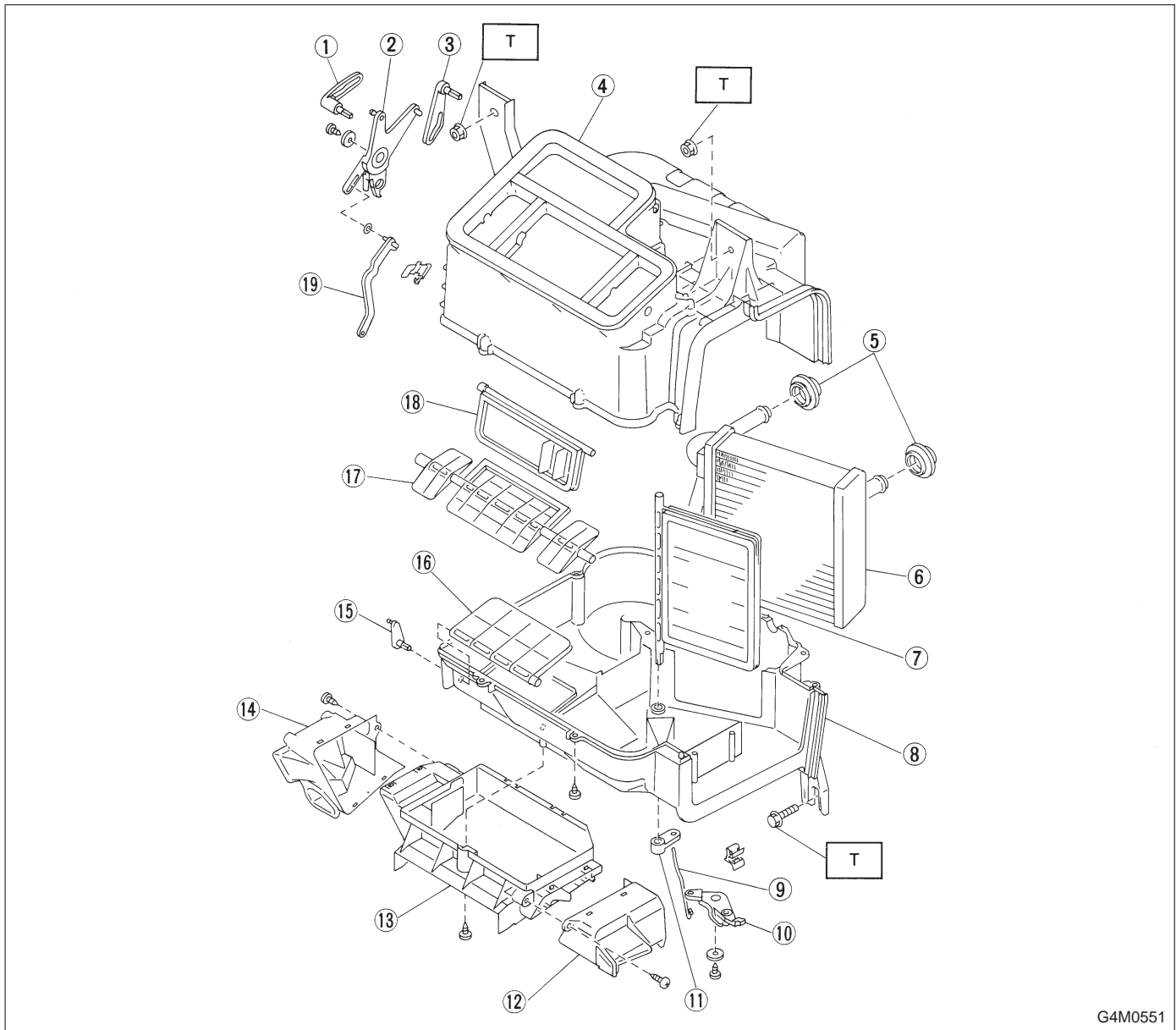


2. Heater Unit

1. LHD MODEL



G4M0551

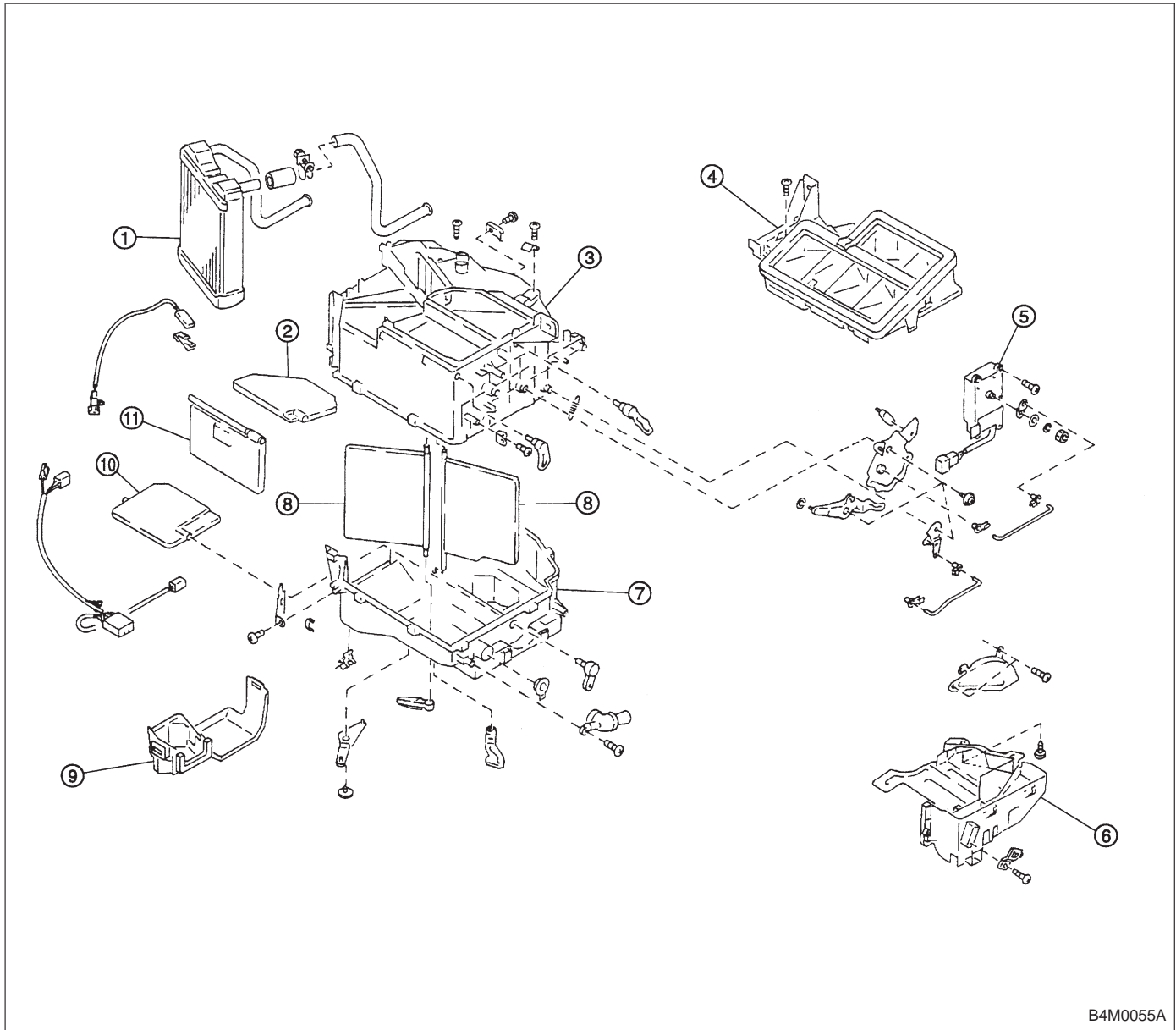
- ① Vent lever
- ② Side link
- ③ DEF. lever
- ④ Heater case upper
- ⑤ Heater grommet
- ⑥ Heater core
- ⑦ Mix door
- ⑧ Heater case lower

- ⑨ Mix rod
- ⑩ Mix link
- ⑪ Mix lever
- ⑫ Foot duct (RH)
- ⑬ Foot duct (CTR)
- ⑭ Foot duct (LH)
- ⑮ Foot lever lower
- ⑯ Foot door

- ⑰ Vent door
- ⑱ DEF. door
- ⑲ Foot lever upper

**Tightening torque: N·m (kg·m, ft·lb)**  
**T: 7.35±1.96**  
**(0.750±0.200, 5.421±1.446)**

2. RHD MODEL



B4M0055A

- ① Heater core
- ② DEF. door
- ③ Case (Upper)
- ④ Case (Top)
- ⑤ Mode door motor
- ⑥ Heater duct (RH)
- ⑦ Case (Lower)
- ⑧ Mix door
- ⑨ Heater duct (LH)
- ⑩ Heater door
- ⑪ Vent. door