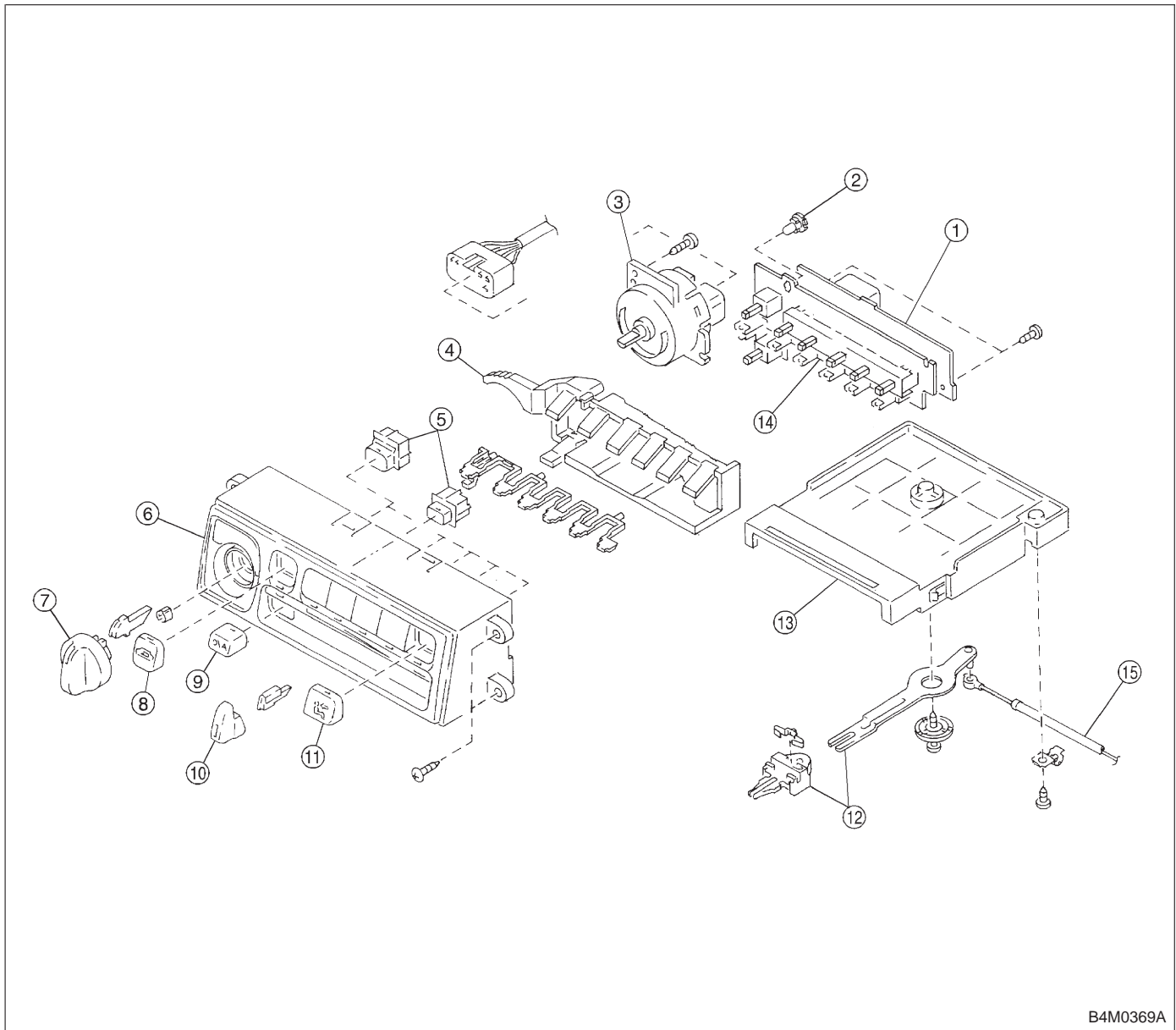


4. Control Unit

1. LHD MODEL

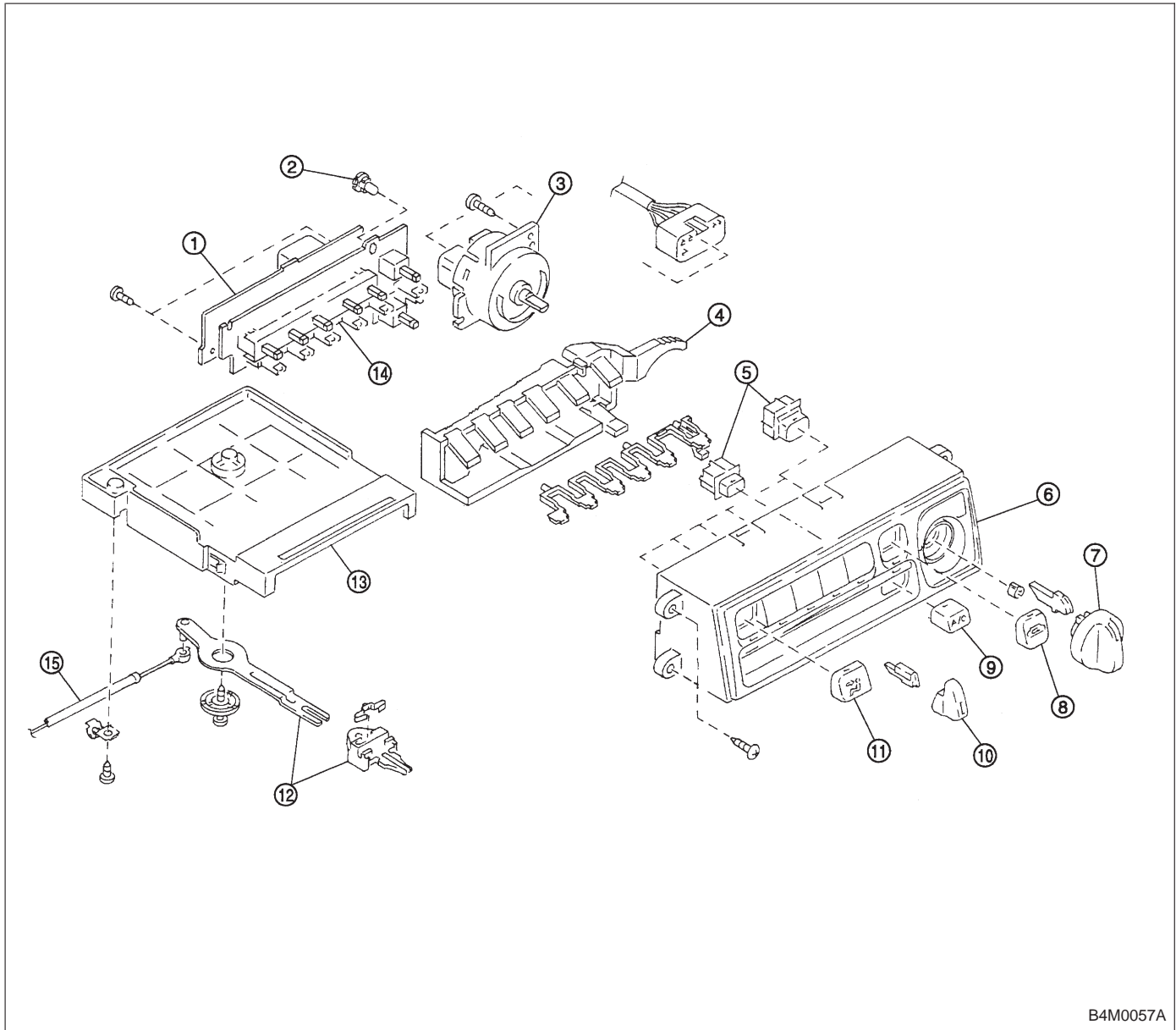


B4M0369A

- ① Back plate
- ② Bulb
- ③ Fan switch ASSY
- ④ Illumi. plate
- ⑤ Switch base
- ⑥ Control panel
- ⑦ Fan switch knob
- ⑧ RECIRC switch

- ⑨ A/C switch
- ⑩ Temp. switch knob
- ⑪ Mode switch
- ⑫ Temp. lever ASSY
- ⑬ Base plate
- ⑭ Control amp.
- ⑮ Temp. control cable

2. RHD MODEL



B4M0057A

- ① Back plate
- ② Bulb
- ③ Fan switch ASSY
- ④ Illumi. plate
- ⑤ Switch base
- ⑥ Control panel
- ⑦ Fan switch knob
- ⑧ RECIRC switch

- ⑨ A/C switch
- ⑩ Temp. switch knob
- ⑪ Mode switch
- ⑫ Temp. lever ASSY
- ⑬ Base plate
- ⑭ Control amp.
- ⑮ Temp. control cable