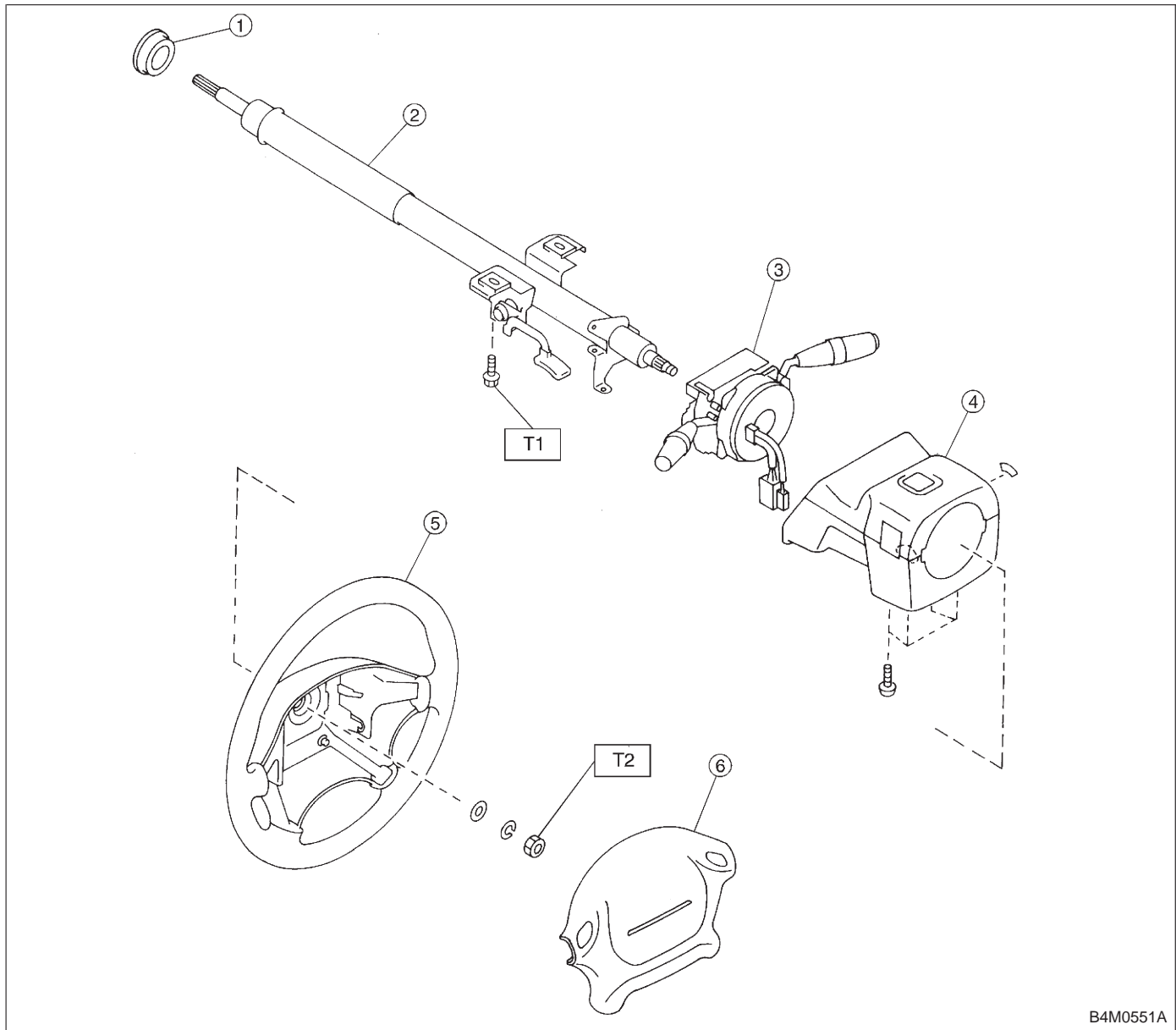


## 1. Steering Wheel and Column (Tilt)

## 1. WITH AIRBAG MODEL



B4M0551A

- ① Bushing
- ② Column shaft
- ③ Steering roll connector
- ④ Column cover
- ⑤ Steering wheel
- ⑥ Airbag module

**Tightening torque: N·m (kg·m, ft·lb)**

**T1: 25±5 (2.5±0.5, 18.1±3.6)**

**T2: 34±5 (3.5±0.5, 25.3±3.6)**