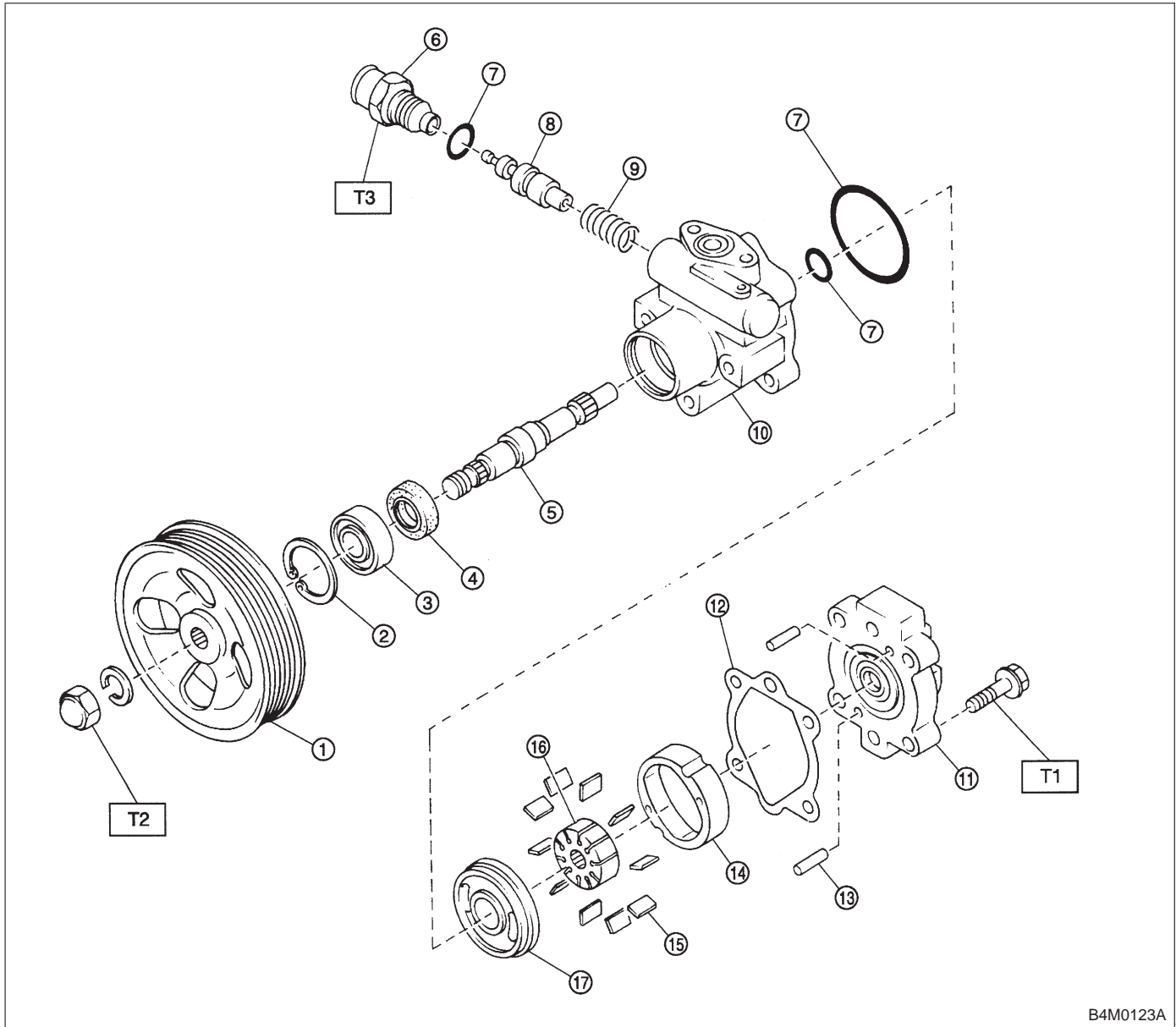


3. Power Steering Oil Pump



B4M0123A

- ① Pulley
- ② Snap ring
- ③ Bearing
- ④ Oil seal
- ⑤ Shaft
- ⑥ Connector
- ⑦ O-ring
- ⑧ Spool valve

- ⑨ Spring
- ⑩ Front casing
- ⑪ Rear cover
- ⑫ Gasket
- ⑬ Knock pin
- ⑭ Cam ring
- ⑮ Vane
- ⑯ Rotor

- ⑰ Side plate

Tightening torque: N·m (kg·m, ft·lb)

T1: 16±2 (1.6±0.2, 11.6±1.4)

T2: 61±7 (6.2±0.7, 44.8±5.1)

T3: 74±5 (7.5±0.5, 54.2±3.6)