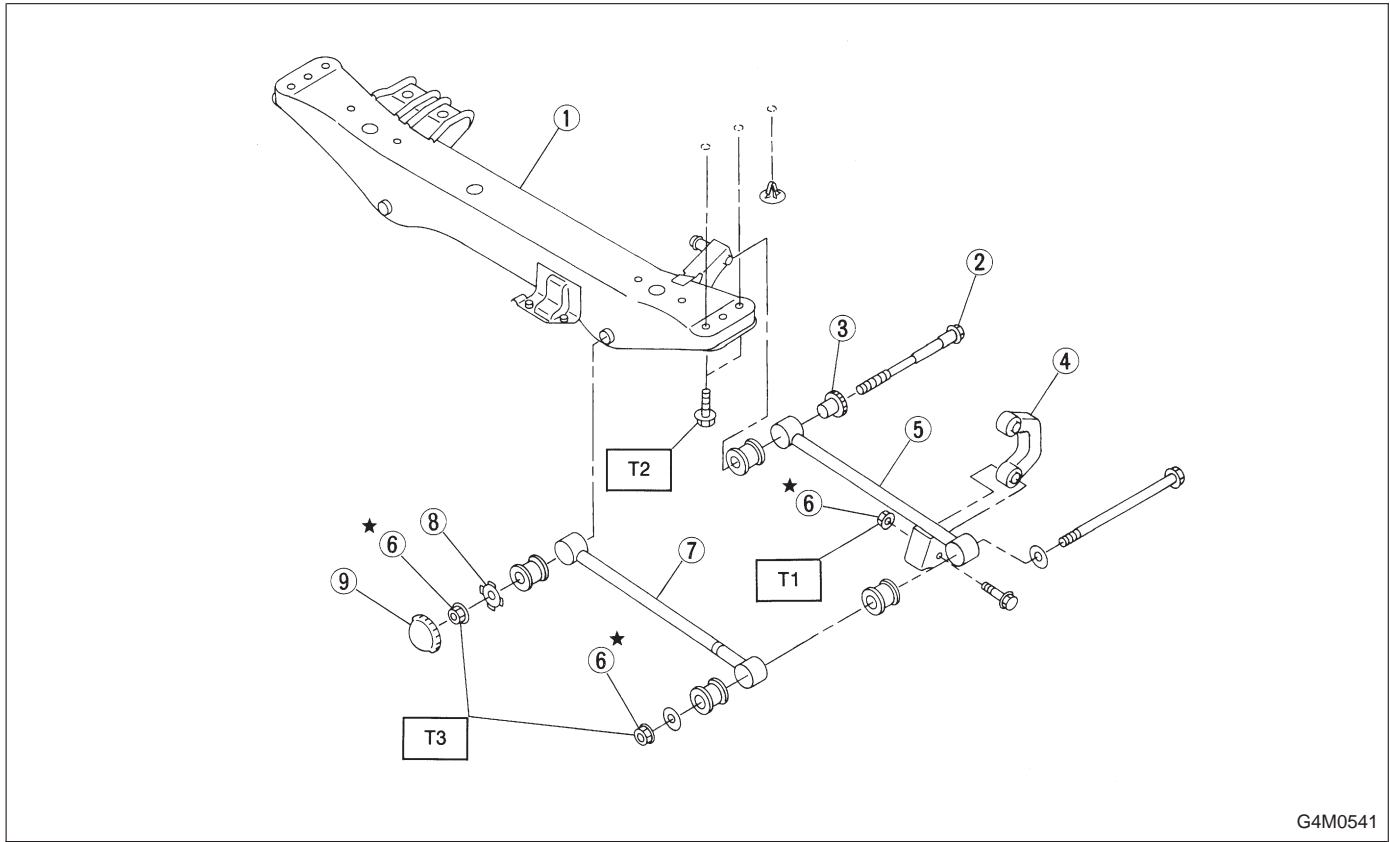


10. Rear Crossmember (FWD Model)

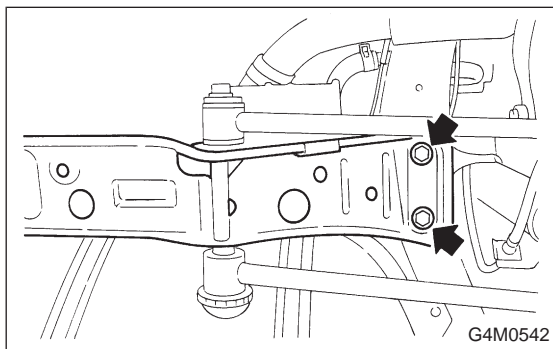
A: REMOVAL



G4M0541

- ① Crossmember
- ② Adjusting bolt
- ③ Adjusting wheel
- ④ Stabilizer link
- ⑤ Rear lateral link
- ⑥ Self-locking nut
- ⑦ Front lateral link
- ⑧ Washer
- ⑨ Cap (Protection)

Tightening torque: N·m (kg·m, ft·lb)
T1: 44±6 (4.5±0.6, 32.5±4.3)
T2: 127±20 (13.0±2.0, 94±14)
T3: 137±20 (14.0±2.0, 101±14)



G4M0542

- 1) Disconnect lateral links from housing.
- 2) Remove rear exhaust pipe and muffler.
- 3) Remove heat-shield cover.
- 4) Remove four bolts securing crossmember to body.

B: INSPECTION

Check removed parts for wear, damage and cracks, and correct or replace if defective.

C: INSTALLATION

Installation is in reverse order of removal procedure.

CAUTION:

- Discard loosened self-locking nut and replace with a new one.
- Always tighten nut (not adjusting bolt), when tightening adjusting bolt.
- Always tighten rubber bushing when wheels are in full contact with the ground and vehicle is at curb weight condition.

NOTE:

Check wheel alignment and adjust if necessary.