

1. Precaution

When disassembling or assembling the automatic transmission, observe the following instructions.

1) Workshop

Provide a place that is clean and free from dust. Principally the conventional workshop is suitable except for a dusty place. In a workshop where grinding work, etc. which produces fine particles is done, make independent place divided by the vinyl curtain or the equivalent.

2) Work table

The size of 1 x 1.5 m (40 x 60 in) is large enough to work, and it is more desirable that its surface be covered with flat plate like iron plate which is not rusted too much.

3) Cleaning of exterior

(1) Clean the exterior surface of transmission with steam and/or kerosene prior to disassembly, however it should be noted that vinyl tape be placed on the air breather or oil level gauge to prevent infiltration of the steam into the transmission and also the cleaning job be done away from the place of disassembly and assembly.

(2) Partial cleaning will do, depending on the extent of disassembly (such as when disassembly is limited to some certain parts).

4) Disassembly, assembly and cleaning

(1) Disassemble and assemble the transmission while inspecting the parts in accordance with the Diagnostics.

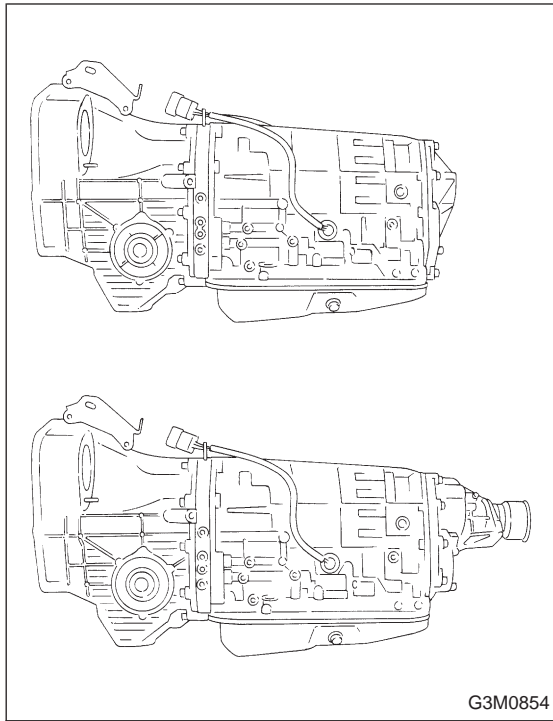
(2) During job, don't use gloves. Don't clean the parts with rags: Use chamois or nylon cloth.

(3) Pay special attention to the air to be used for cleaning. Get the moisture and the dust rid of the air as much as possible. Be careful not to scratch or dent any part while checking for proper operation with an air gun.

(4) Complete the job from cleaning to completion of assembly as continuously and speedily as possible in order to avoid occurrence of secondary troubles caused by dust. When stopping the job unavoidably cover the parts with clean chamois or nylon cloth to keep them away from any dust.

(5) Use kerosene, white gasoline or the equivalent as washing fluid. Use always new fluid for cleaning the automatic transmission parts and never reuse. The used fluid is usable in disassemble and assemble work of engine and manual transmission.

(6) Although the cleaning should be done by dipping into the washing fluid or blowing of the pressurized washing fluid, the dipping is more desirable. (Do not rub with a brush.) Assemble the parts immediately after the cleaning without exposure to the air for a while. Besides in case of washing rubber parts, perform the job quickly not to dip them into the washing fluid for long time.



(7) Apply the automatic transmission fluid (ATF) onto the parts immediately prior to assembly, and the specified tightening torque should be observed carefully.

(8) Use vaseline if it is necessary to hold parts in the position when assembling.

(9) Drain ATF and differential gear oil into a saucer so that the conditions of fluid and oil can be inspected.

(10) Do not support axle drive shaft, stator shaft, input shaft or various pipes when moving transmission from one place to another.

(11) Always discard old oil seals and O-ring, and install new ones.

(12) Do not reuse old aluminum (overrunning clutch pipes, etc.) pipes, gaskets, spring pins. Install new ones.

(13) Be sure to replace parts which are damaged, worn, scratched, discolored, etc.