

1. AWD System

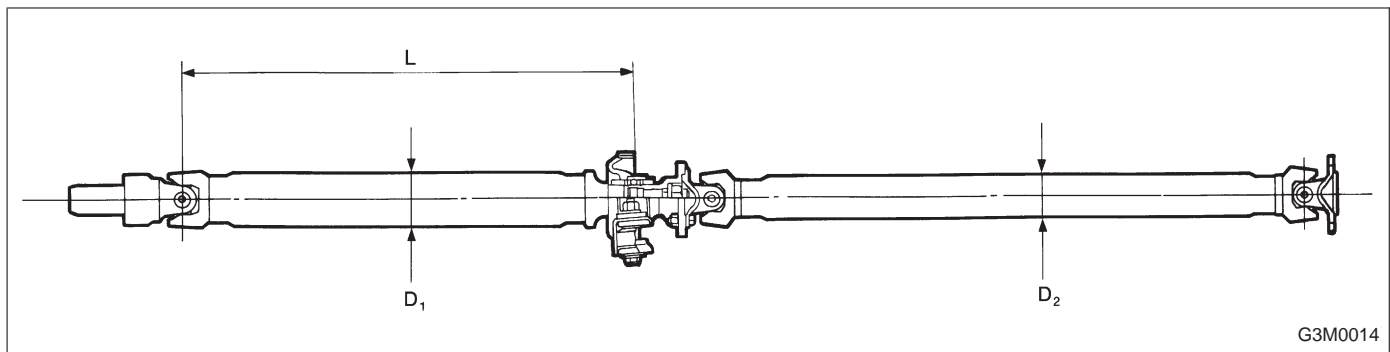
A: SPECIFICATIONS

1. REAR FINAL REDUCTION GEAR RATIO

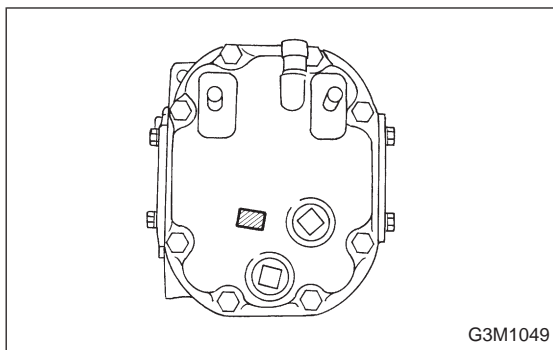
Type of gear	Hypoid	
	MT	AT
	2200 cc	2200 cc
Gear ratio (Number of gear teeth)	3.900 (39/10)	4.111 (37/9)
Oil capacity	0.8 ℓ (0.8 US qt, 0.7 Imp qt)	
Rear differential gear oil	GL-5	

2. PROPELLER SHAFT

Front propeller shaft Joint-to-joint length: L mm (in)	AT	539 (21.22)
	MT	598 (23.54)
Outside dia. of tube mm (in)	D ₁	63.5 (2.500)
	D ₂	57.0 (2.244)



G3M0014





B: IDENTIFICATION

When replacing a rear differential assembly, select the correct one according to the following table.

CAUTION:

Using the different rear differential assembly causes the drive line and tires to “drag” or emit abnormal noise when AWD is selected.

Gear ratio		Part number	Label stuck on rear differential
2200 cc MT	3.900	38369AA450	 B3M0124
2200 cc AT	4.111	38369AA460	 B3M0127

C: SERVICE DATA

Front and rear bearing preload at companion flange bolt hole	New bearing	19.6 — 28.4 N (2.0 — 2.9 kg, 4.4 — 6.4 lb)
	Used bearing	8.34 — 16.67 N (0.85 — 1.70 kg, 1.87 — 3.75 lb)
Preload adjusting washer length	Part No.	Length
	383705200	2.59 mm (0.1020 in)
	383715200	2.57 mm (0.1012 in)
	383725200	2.55 mm (0.1004 in)
	383735200	2.53 mm (0.0996 in)
	383745200	2.51 mm (0.0988 in)
	383755200	2.49 mm (0.0980 in)
	383765200	2.47 mm (0.0972 in)
	383775200	2.45 mm (0.0965 in)
	383785200	2.43 mm (0.0957 in)
	383795200	2.41 mm (0.0949 in)
	383805200	2.39 mm (0.0941 in)
	383815200	2.37 mm (0.0933 in)
	383825200	2.35 mm (0.0925 in)
	383835200	2.33 mm (0.0917 in)
	383845200	2.31 mm (0.0909 in)
Preload adjusting spacer length	Part No.	Length
	383695201	56.2 mm (2.213 in)
	383695202	56.4 mm (2.220 in)
	383695203	56.6 mm (2.228 in)
	383695204	56.8 mm (2.236 in)
	383695205	57.0 mm (2.244 in)
	383695206	57.2 mm (2.252 in)

Pinion height adjusting shim thickness	Part No.	Thickness
	383495200	3.09 mm (0.1217 in)
	383505200	3.12 mm (0.1228 in)
	383515200	3.15 mm (0.1240 in)
	383525200	3.18 mm (0.1252 in)
	383535200	3.21 mm (0.1264 in)
	383545200	3.24 mm (0.1276 in)
	383555200	3.27 mm (0.1287 in)
	383565200	3.30 mm (0.1299 in)
	383575200	3.33 mm (0.1311 in)
	383585200	3.36 mm (0.1323 in)
	383595200	3.39 mm (0.1335 in)
	383605200	3.42 mm (0.1346 in)
	383615200	3.45 mm (0.1358 in)
	383625200	3.48 mm (0.1370 in)
	383635200	3.51 mm (0.1382 in)
	383645200	3.54 mm (0.1394 in)
	383655200	3.57 mm (0.1406 in)
	383665200	3.60 mm (0.1417 in)
	383675200	3.63 mm (0.1429 in)
383685200	3.66 mm (0.1441 in)	
Side bearing standard width	—	20.00 mm (0.7874 in)
Side bearing retainer shim thickness	Part No.	Thickness
	383475201	0.20 mm (0.0079 in)
	383475202	0.25 mm (0.0098 in)
	383475203	0.30 mm (0.0118 in)
	383475204	0.40 mm (0.0157 in)
	383475205	0.50 mm (0.0197 in)
Crown gear to drive pinion backlash	Limit	0.10 — 0.20 mm (0.0039 — 0.0079 in)
Crown gear runout on its back surface		0.05 mm (0.0020 in)
Oil capacity		0.8 ℓ (0.8 US qt, 0.7 Imp qt)