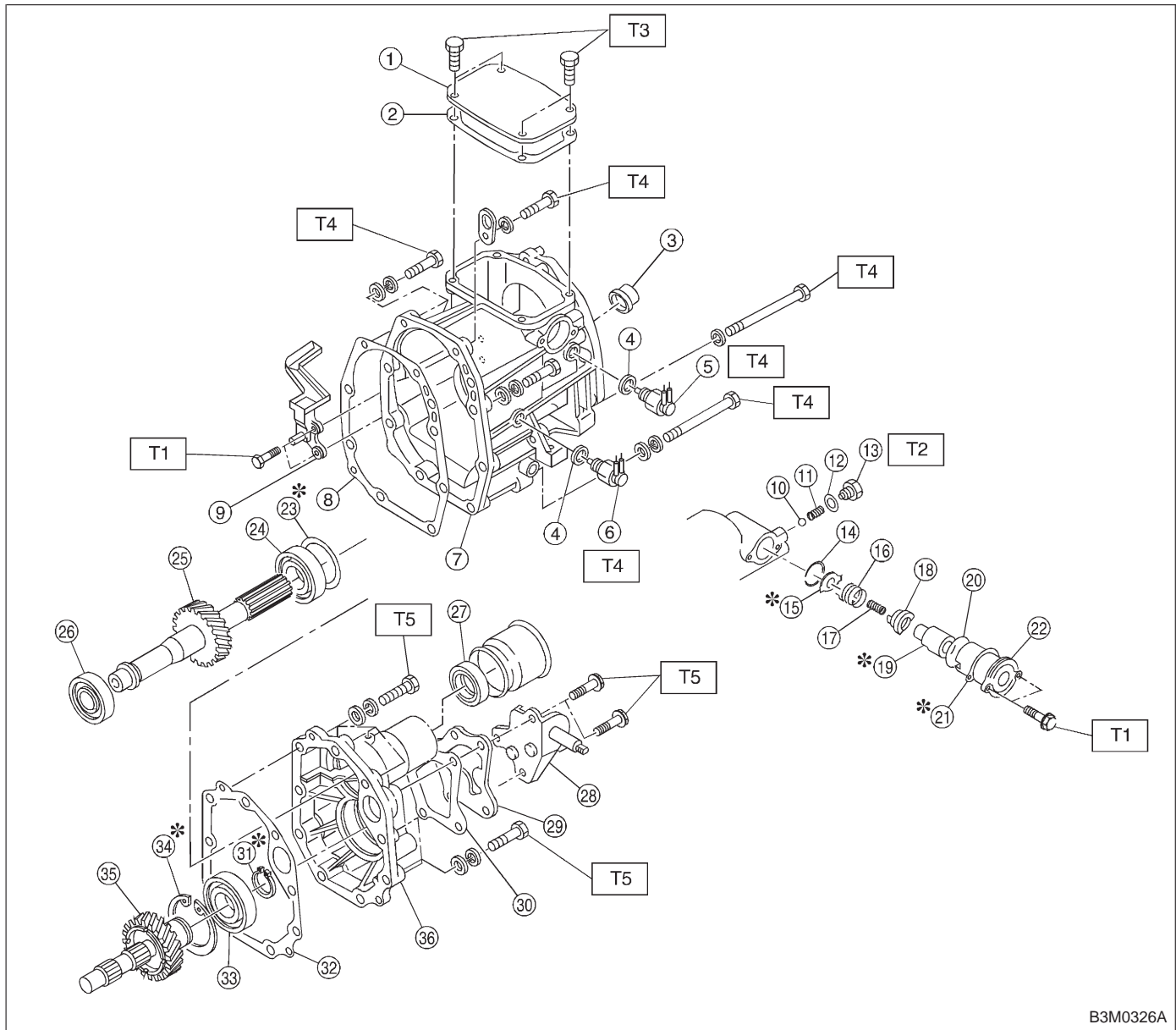


## 1. Transfer Case and Extension (AWD Model)



B3M0326A

- |                         |                         |                        |
|-------------------------|-------------------------|------------------------|
| ① Transfer cover        | ⑬ Reverse accent spring | ⑳ Snap ring (Outer-30) |
| ② Cover gasket          | ⑭ Gasket                | ㉑ Gasket               |
| ③ Oil seal              | ⑮ Plug                  | ㉒ Ball bearing         |
| ④ Gasket                | ⑯ Snap ring (Inner)     | ㉓ Snap ring (Inner-72) |
| ⑤ Neutral switch        | ⑰ Reverse check plate   | ㉔ Transfer drive gear  |
| ⑥ Back-up light switch  | ⑱ Reverse check spring  | ㉕ Extension            |
| ⑦ Transfer case         | ⑲ Reverse return spring |                        |
| ⑧ Gasket                | ⑳ Reverse check cam     |                        |
| ⑨ Oil guide             | ㉑ Reverse accent shaft  |                        |
| ⑩ Ball                  | ㉒ O-ring                |                        |
| ⑪ Reverse accent spring | ㉓ Adjusting select shim |                        |
| ⑫ Gasket                | ㉔ Reverse check sleeve  |                        |
| ⑬ Plug                  | ㉕ Adjusting washer      |                        |
| ⑭ Snap ring (Inner)     | ㉖ Ball bearing          |                        |
| ⑮ Reverse check plate   | ㉗ Transfer driven gear  |                        |
|                         | ㉘ Ball bearing          |                        |
|                         | ㉙ Oil seal              |                        |
|                         | ㉚ Shift bracket         |                        |
|                         | ㉛ Extension cover       |                        |
|                         | ㉜ Gasket                |                        |

**Tightening torque: N·m (kg·m, ft·lb)**
**T1: 5±1 (0.5±0.1, 3.6±0.7)**
**T2: 10±1 (1.0±0.1, 7.2±0.7)**
**T3: 15.7±1.5  
(1.6±0.15, 11.6±1.1)**
**T4: 25±2 (2.5±0.2, 18.1±1.4)**
**T5: 37±3 (3.8±0.3, 27.5±2.2)**