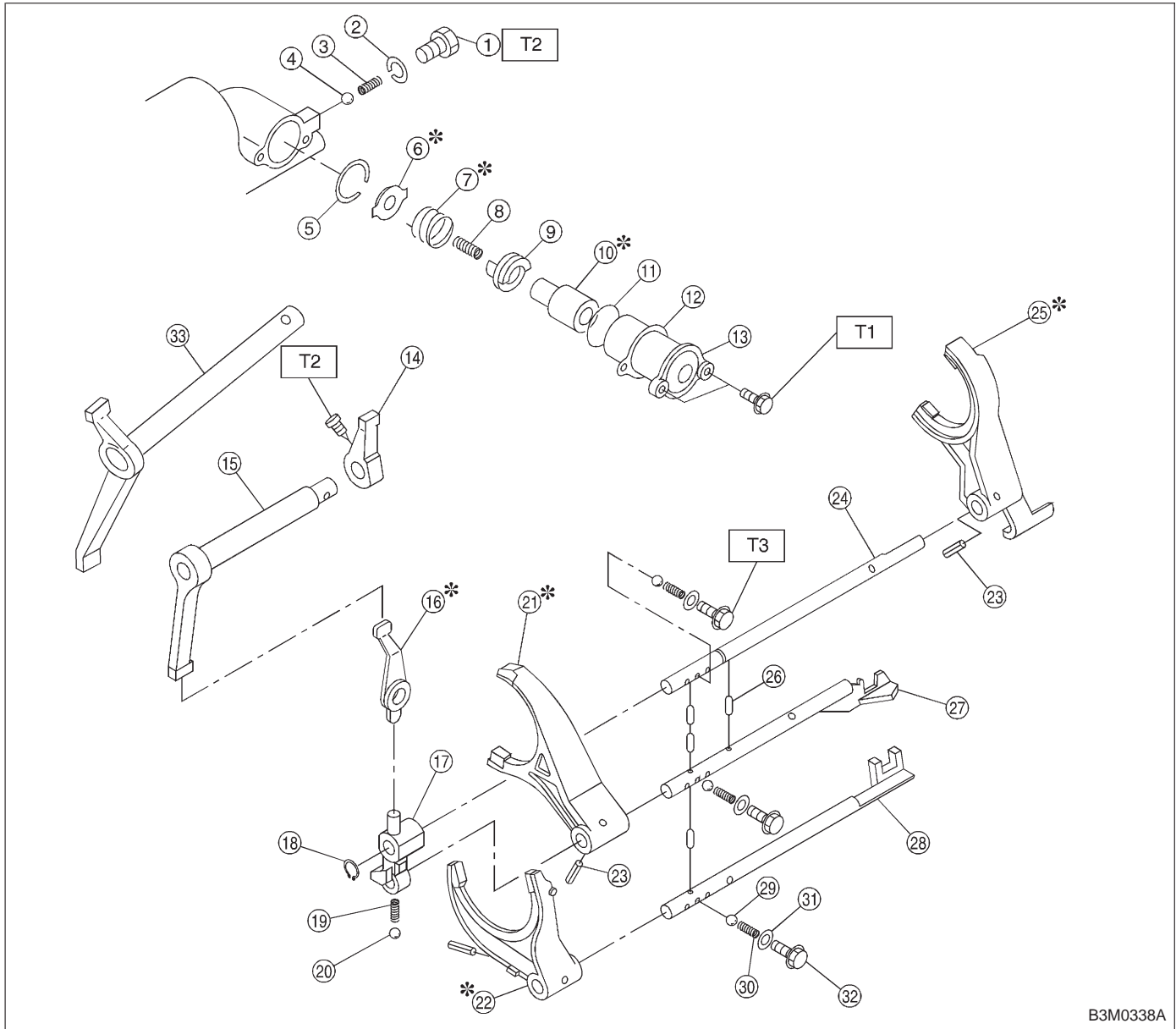


4. Shifter Fork and Shifter Rod



B3M0338A

- |                         |                            |                           |
|-------------------------|----------------------------|---------------------------|
| ① Plug                  | ⑭ Selector arm (AWD model) | ⑳ 3rd-4th fork rod        |
| ② Gasket                | ⑮ Shifter arm (AWD model)  | ㉑ 1st-2nd fork rod        |
| ③ Reverse accent spring | ⑯ Reverse shifter lever    | ㉒ Ball                    |
| ④ Ball                  | ⑰ Reverse fork rod arm     | ㉓ Checking ball spring    |
| ⑤ Snap ring (Inner)     | ⑱ Snap ring (Outer)        | ㉔ Gasket                  |
| ⑥ Reverse check plate   | ⑲ Spring                   | ㉕ Checking ball plug      |
| ⑦ Reverse check spring  | ⑳ Ball                     | ㉖ Shifter arm (FWD model) |
| ⑧ Reverse return spring | ㉑ 3rd-4th shifter fork     |                           |
| ⑨ Reverse check cam     | ㉒ 1st-2nd shifter fork     |                           |
| ⑩ Reverse accent shaft  | ㉓ Straight pin             |                           |
| ⑪ O-ring                | ㉔ Reverse fork rod         |                           |
| ⑫ Adjusting select shim | ㉕ 5th shifter fork         |                           |
| ⑬ Reverse check sleeve  | ㉖ Interlock plunger        |                           |

**Tightening torque: N·m (kg·m, ft·lb)**  
**T1: 6.4±0.5 (0.65±0.05, 4.7±0.4)**  
**T2: 10±1 (1.0±0.1, 7.2±0.7)**  
**T3: 19.6±1.5**  
**(2.00±0.15, 14.5±1.1)**