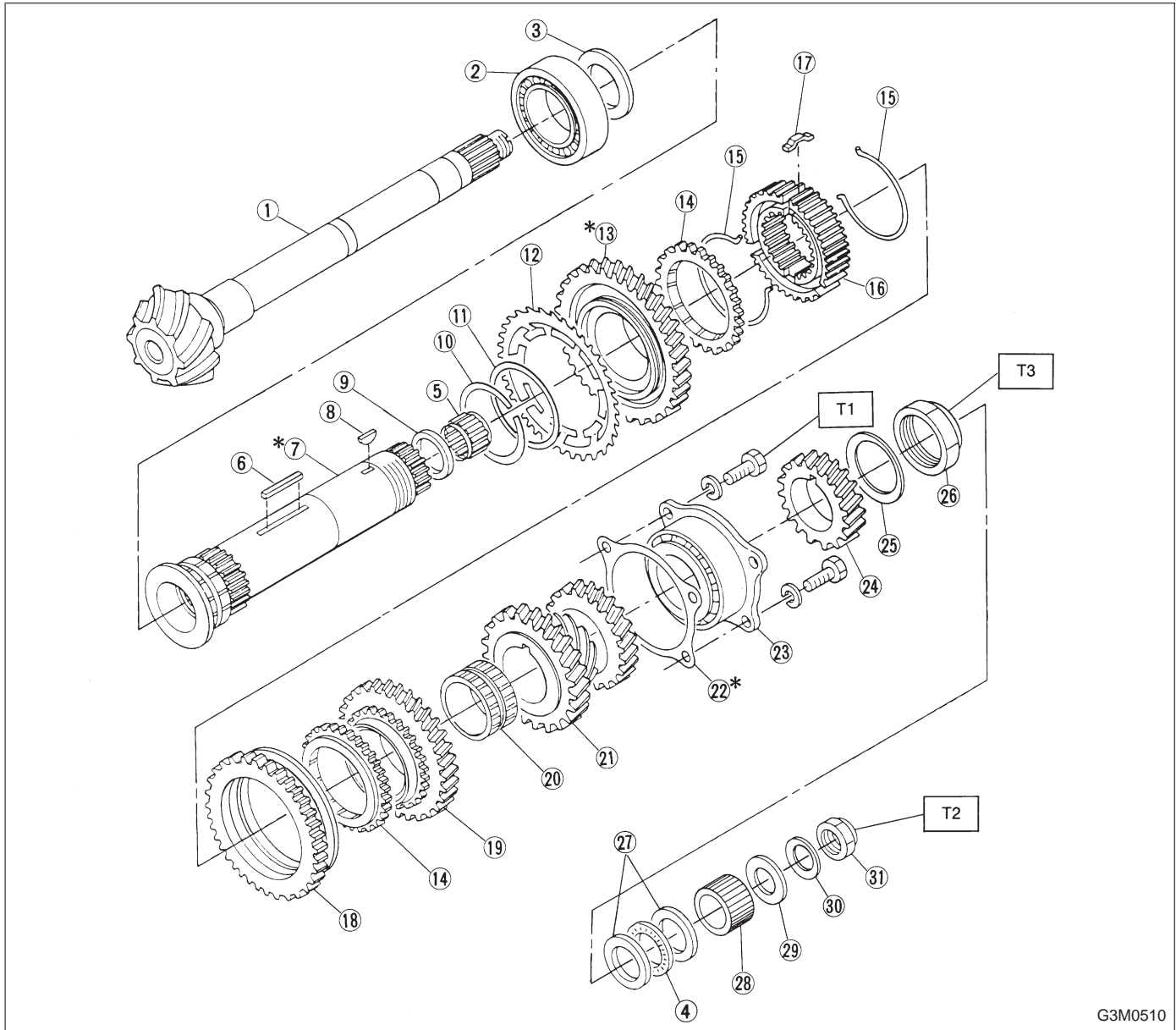


5. Drive Pinion Assembly

1. AWD MODEL



G3M0510

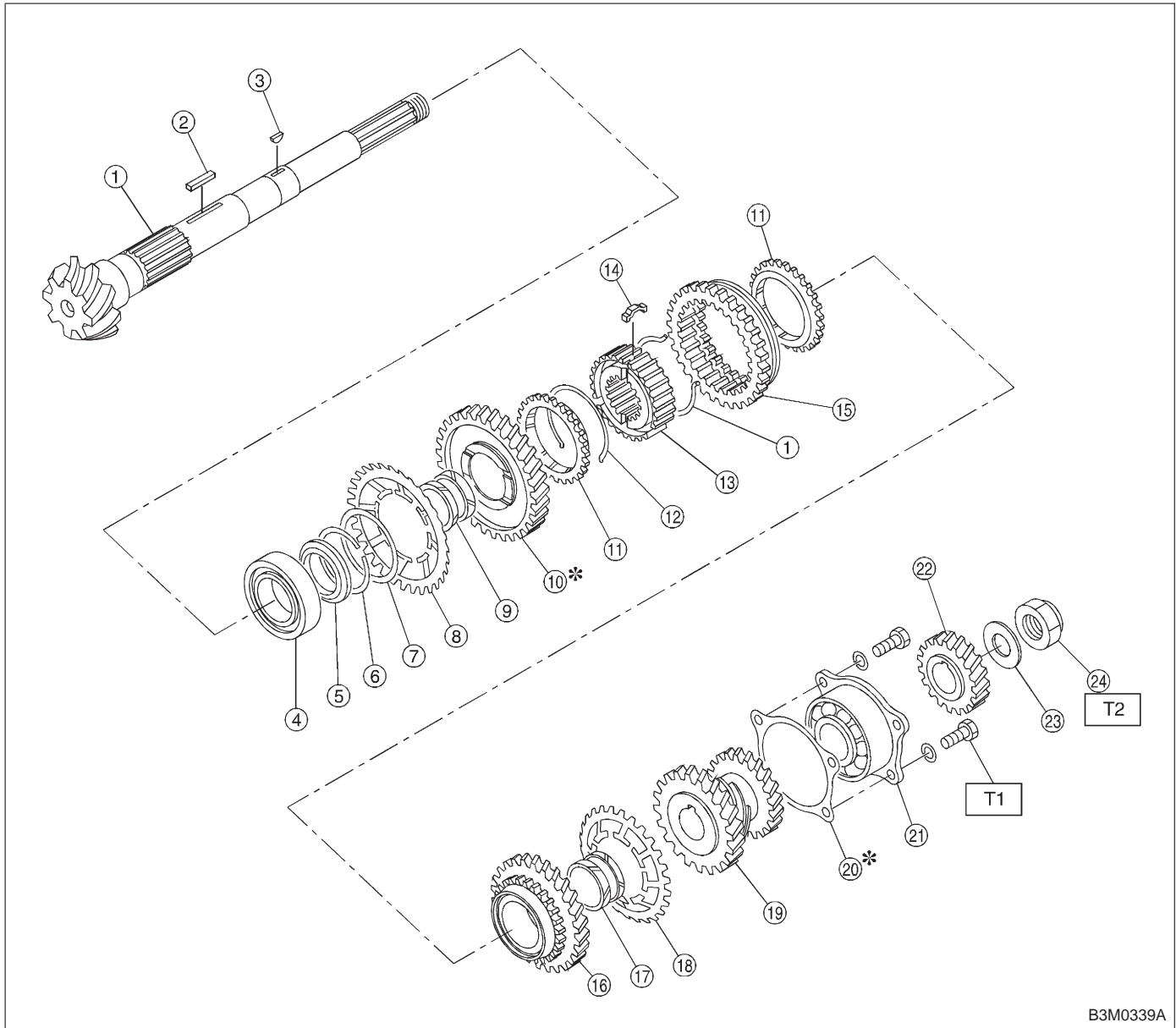
- ① Drive pinion shaft
- ② Roller bearing
- ③ Washer
- ④ Thrust bearing
- ⑤ Needle bearing
- ⑥ Key
- ⑦ Driven shaft
- ⑧ Woodruff key
- ⑨ Drive pinion collar
- ⑩ Snap ring (Outer)
- ⑪ Washer
- ⑫ Sub gear

- ⑬ 1st driven gear
- ⑭ Baulk ring
- ⑮ Spring
- ⑯ 1st-2nd synchronizer hub
- ⑰ Insert
- ⑱ Reverse driven gear
- ⑲ 2nd driven gear
- ⑳ 2nd driven gear bush
- ㉑ 3rd-4th driven gear
- ㉒ Driven pinion shim
- ㉓ Roller bearing
- ㉔ 5th driven gear

- ㉕ Lock washer
- ㉖ Lock nut
- ㉗ Washer
- ㉘ Differential bevel gear sleeve
- ㉙ Washer
- ㉚ Lock washer
- ㉛ Lock nut

Tightening torque: N·m (kg·m, ft·lb)
T1: 29±3 (3.0±0.3, 21.7±2.2)
T2: 118±8 (12.0±0.8, 86.8±5.8)
T3: 245±10 (25.0±1.0, 181±7)

2. FWD MODEL



B3M0339A

- ① Drive pinion shaft
- ② Key
- ③ Woodruff key
- ④ Roller bearing
- ⑤ 1st gear thrust plate
- ⑥ Snap ring (Outer)
- ⑦ Washer
- ⑧ 1st sub gear
- ⑨ 1st gear bushing
- ⑩ 1st driven gear

- ⑪ 1st-2nd baulk ring
- ⑫ 1st-2nd synchronizer spring
- ⑬ 1st-2nd synchronizer hub
- ⑭ 1st-2nd shifting insert
- ⑮ Reverse driven gear
- ⑯ 2nd driven gear
- ⑰ 2nd gear bushing
- ⑱ 2nd sub gear
- ⑲ 3rd-4th driven gear
- ⑳ Drive pinion shim

- ㉑ Ball bearing
- ㉒ 5th driven gear
- ㉓ Lock washer
- ㉔ Lock nut

Tightening torque: N·m (kg·m, ft·lb)

T1: 29±3 (3.0±0.3, 22±2)

T2: 118±6 (12.0±0.6, 86.8±4.3)