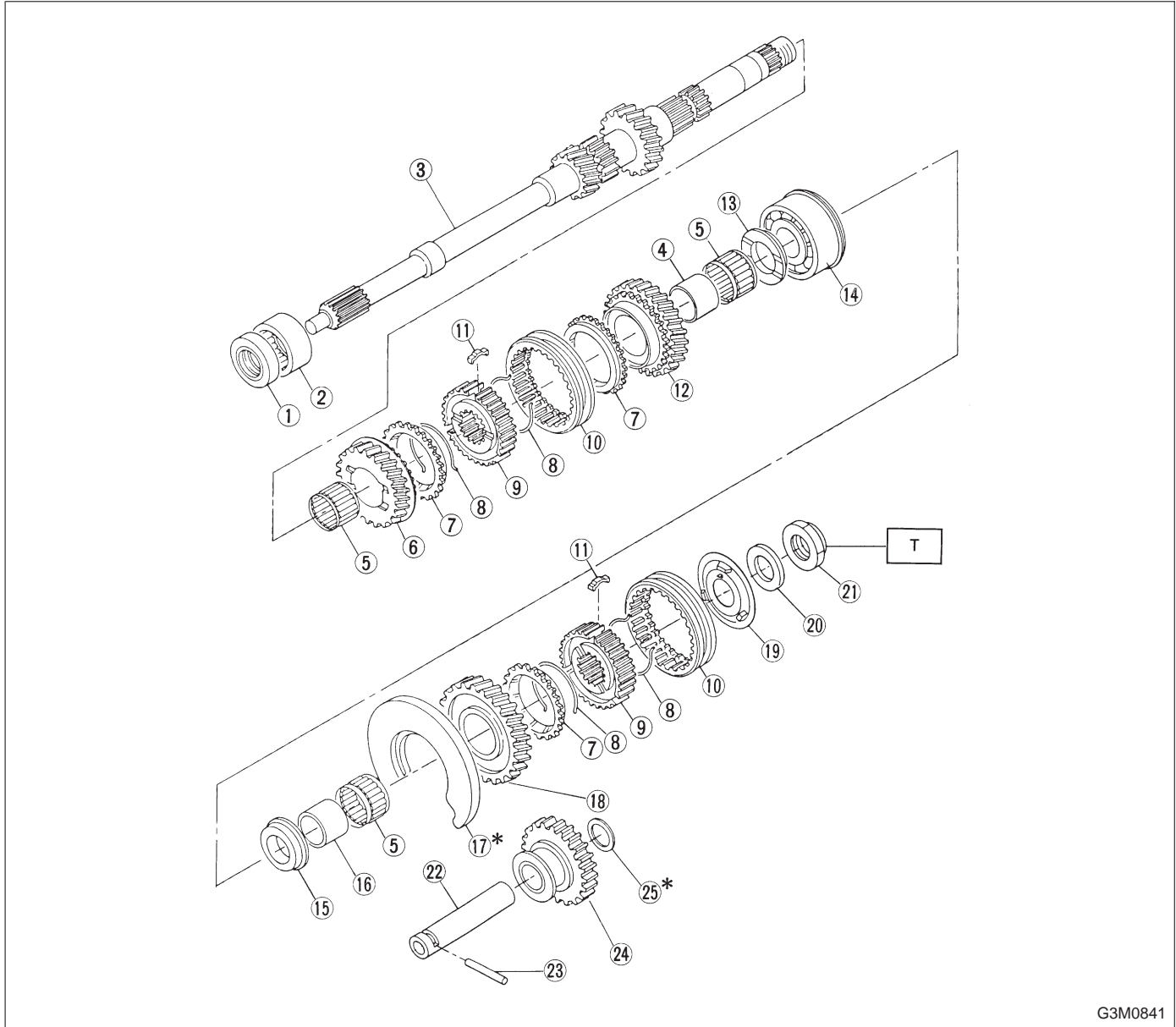


## 6. Main Shaft Assembly



G3M0841

- ① Oil seal
- ② Needle bearing
- ③ Transmission main shaft
- ④ 4th needle bearing race
- ⑤ Needle bearing
- ⑥ 3rd drive gear
- ⑦ Baulk ring
- ⑧ Synchronizer spring
- ⑨ Synchronizer hub
- ⑩ Coupling sleeve

- ⑪ Shifting insert
- ⑫ 4th drive gear
- ⑬ 4th gear thrust washer
- ⑭ Ball bearing
- ⑮ 5th gear thrust washer
- ⑯ 5th needle bearing race
- ⑰ Main shaft rear plate
- ⑱ 5th drive gear
- ⑲ Insert stopper plate
- ⑳ Lock washer

- ㉑ Lock nut
- ㉒ Reverse idler gear shaft
- ㉓ Straight pin
- ㉔ Reverse idler gear
- ㉕ Washer

**Tightening torque: N·m (kg·m, ft·lb)**  
**T: 118±6 (12.0±0.6, 86.8±4.3)**