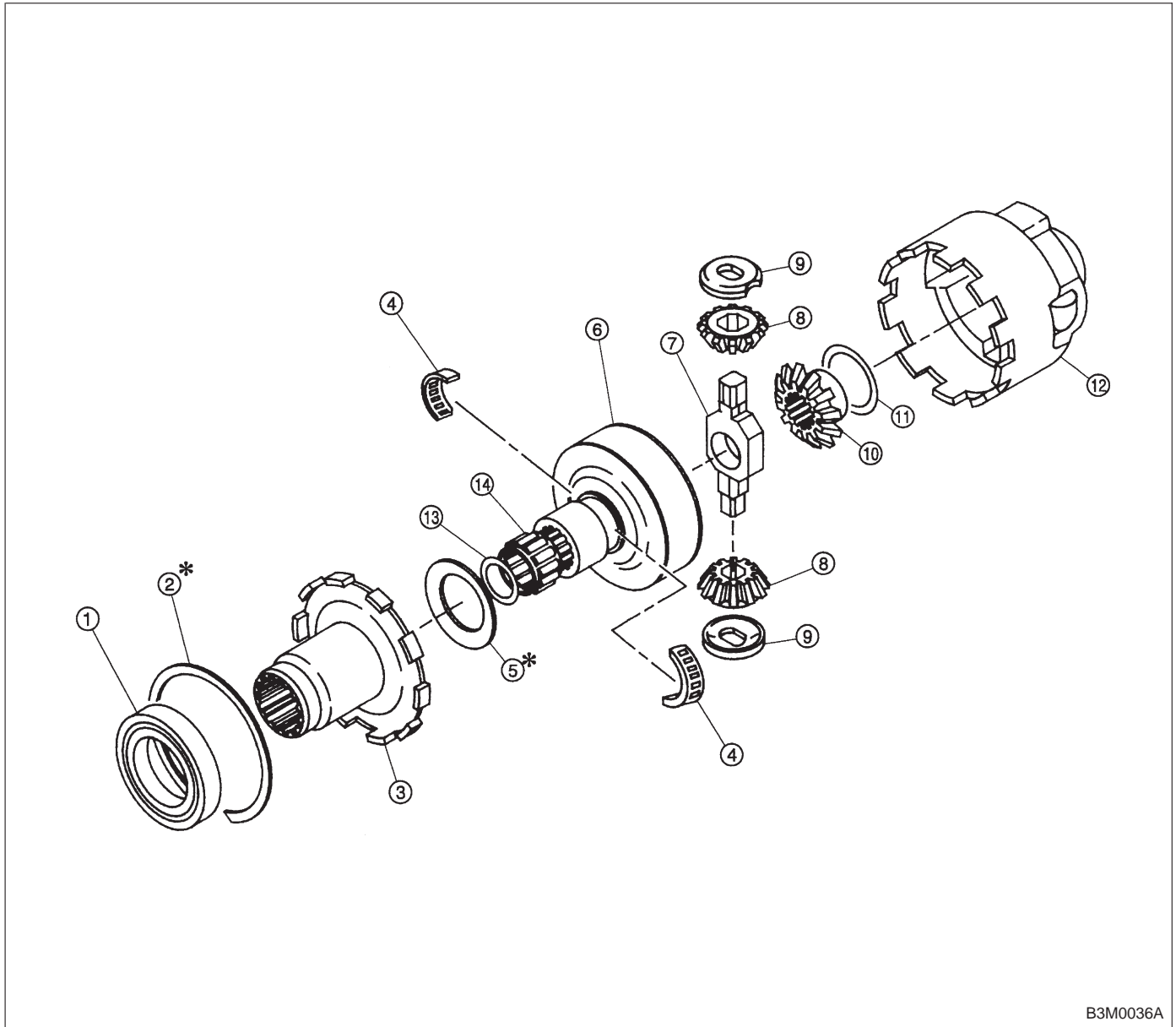


7. Center Differential (AWD Model)



B3M0036A

- ① Ball bearing
- ② Snap ring (Inner-110)
- ③ Center differential cover
- ④ Needle bearing
- ⑤ Adjusting washer
- ⑥ Viscous coupling
- ⑦ Pinion shaft

- ⑧ Differential bevel pinion
- ⑨ Retainer
- ⑩ Differential bevel gear
- ⑪ Washer
- ⑫ Center differential case
- ⑬ Snap ring
- ⑭ Roller bearing