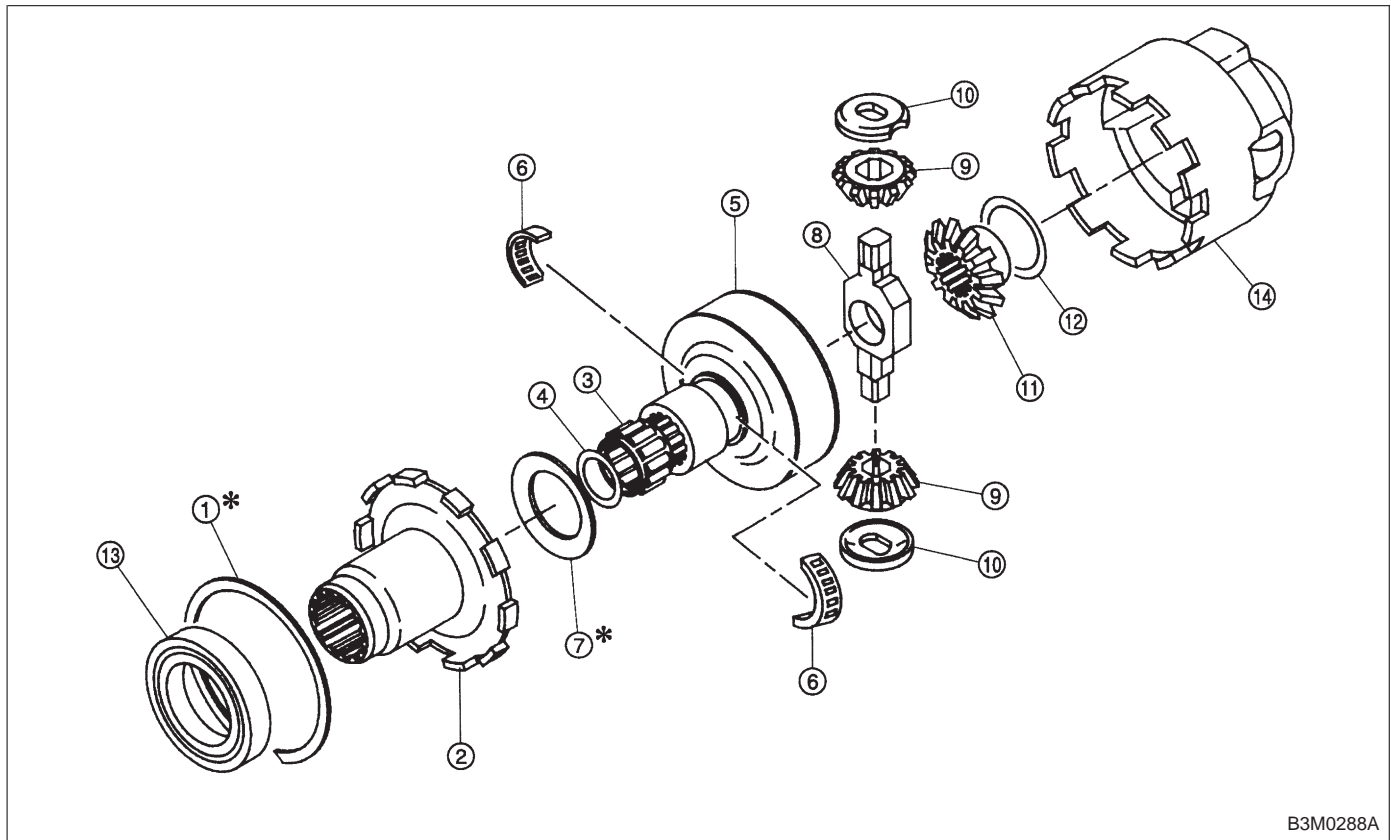


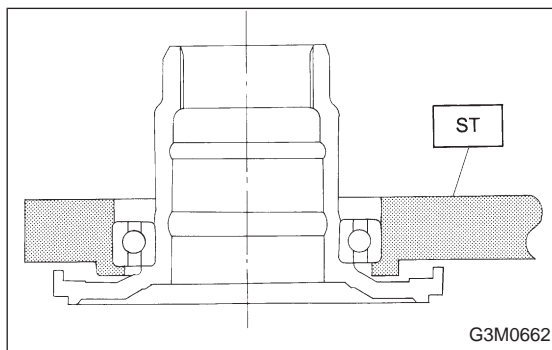
## 8. Center Differential (AWD Model)

## A: DISASSEMBLY



B3M0288A

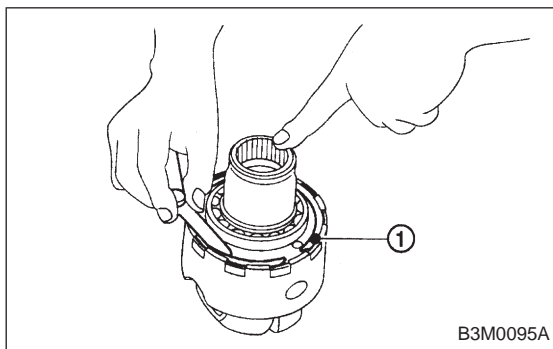
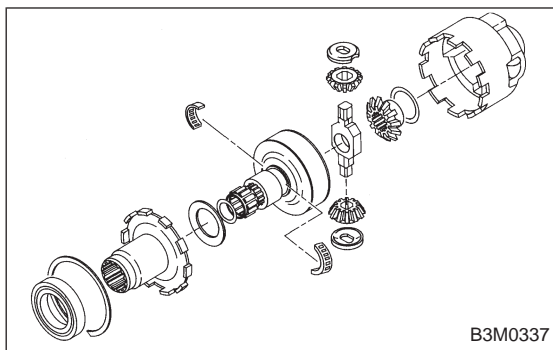
- 1) Remove snap ring ① (Inner-110) using flat bladed screwdriver.
- 2) Remove center differential cover ②.
- 3) Remove snap ring ④ and roller bearing ③.
- 4) Remove viscous coupling ⑤.
- 5) Remove needle bearings ⑥.
- 6) Remove adjusting washer ⑦ (45 x 62 x t).
- 7) Remove pinion shaft ⑧, bevel pinions ⑨ and retainers ⑩.
- 8) Remove side gear ⑪.
- 9) Remove thrust washer ⑫.



G3M0662

- 10) Remove ball bearing ⑬ using ST.  
ST 498077300 CENTER DIFFERENTIAL BEARING REMOVER

**CAUTION:**  
Do not reuse ball bearing.

**B: ASSEMBLY**

Assembly is in the reverse order of disassembly.  
Do the following:

- Install thrust washer with chamfered side of inner perimeter facing the side gear.
- Install adjusting washer with chamfered side of inner perimeter facing the viscous coupling using ST.

ST 499547300 INSTALLER SET

## 1) Selection of snap ring (Inner-110)

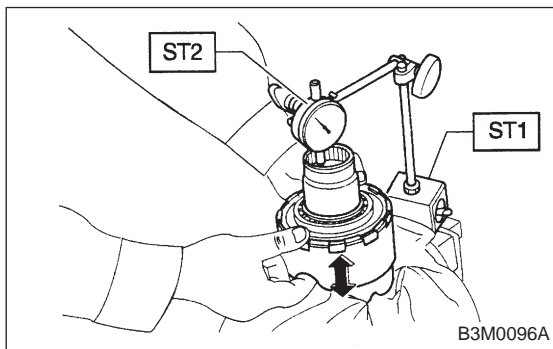
- (1) After assembling, using a thickness gauge measure clearance between snap ring ① and center differential case.

**Clearance:**

**0 — 0.15 mm (0 — 0.0059 in)**

- (2) If the measurement is not within the specification, select suitable snap ring.

| Snap ring (Inner-110) |                   |
|-----------------------|-------------------|
| Part No.              | Thickness mm (in) |
| 805100061             | 2.10 (0.0827)     |
| 805100062             | 2.21 (0.0870)     |
| 805100063             | 2.32 (0.0913)     |



## 2) Selection of adjusting washer (Backlash adjustment)

- (1) After assembling, set up a ST1 and ST2 to end of viscous coupling shaft. Move viscous coupling up and down, and measure backlash in the axial direction.

ST1 498247001 MAGNET BASE

ST2 498247100 DIAL GAUGE

**Backlash:**

**0.62 — 0.86 mm (0.0244 — 0.0339 in)**

- (2) If the measurement is not within the specification, select suitable washer.

| Adjusting washer (45 x 62 x t) |                   |
|--------------------------------|-------------------|
| Part No.                       | Thickness mm (in) |
| 803045041                      | 1.60 (0.0630)     |
| 803045042                      | 1.80 (0.0709)     |
| 803045043                      | 2.00 (0.0787)     |
| 803045044                      | 2.20 (0.0866)     |
| 803045045                      | 2.40 (0.0945)     |