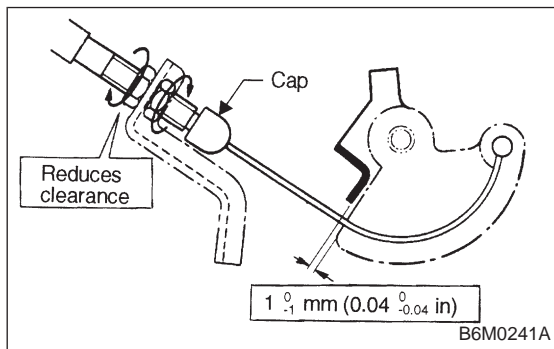
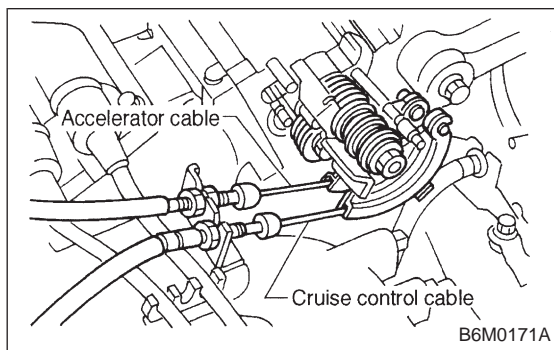


1. Supplemental Restraint System "Airbag"

Airbag system wiring harness is routed near the cruise control command switch.

CAUTION:

- All Airbag system wiring harness and connectors are colored yellow. Do not use electrical test equipment on these circuits.
- Be careful not to damage Airbag system wiring harness when servicing the cruise control command switch.



2. Pre-inspection

1. CRUISE CONTROL CABLE

- 1) Cable installation
 - (1) Ensure that cruise control cable is attached to the left of accelerator cable (on accelerator pedal side).
 - (2) Ensure that accelerator cable throttle cam does not move when cruise control throttle cam is moved by hand.
 - (3) Ensure that throttle cam moves smoothly.
- 2) Cable free play
 - (1) Ensure that throttle cam-to-lever clearance is within specifications.

Standard value: $1 \begin{smallmatrix} 0 \\ -1 \end{smallmatrix} \text{ mm } (0.04 \begin{smallmatrix} 0 \\ -0.04 \end{smallmatrix} \text{ in})$

NOTE:

If clearance is not within specifications, adjust cable at its outer end.

- (2) Ensure that cap is positioned in groove.