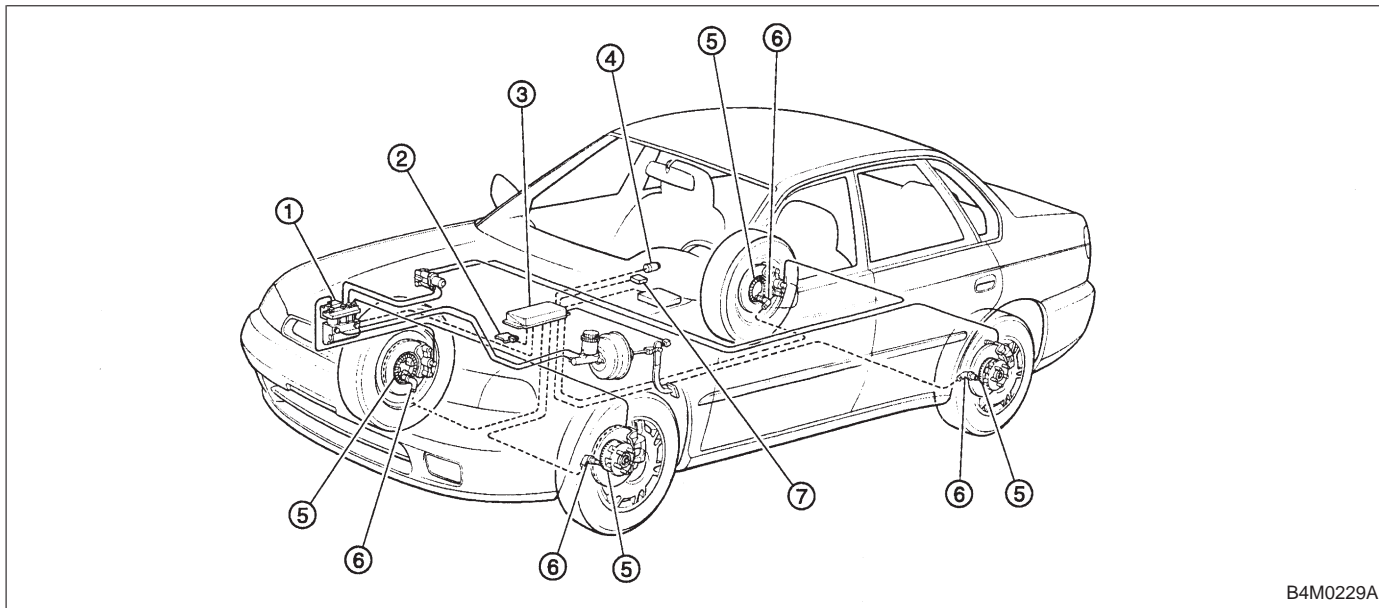


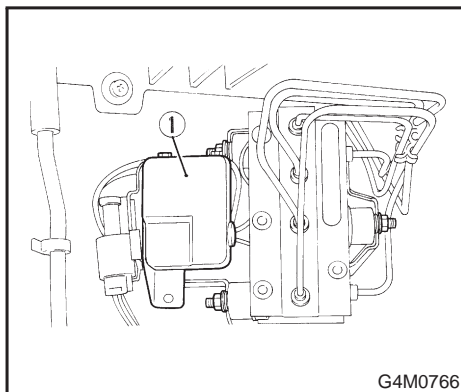
3. Electrical Components Location



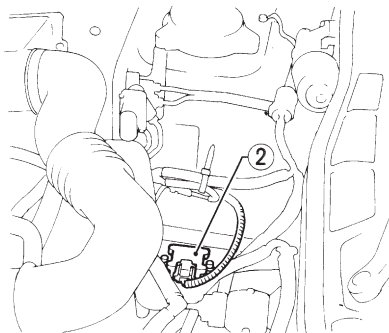
B4M0229A

- ① Hydraulic control unit
- ② G sensor (AWD MT model)
- ③ A.B.S. control module
- ④ Warning light

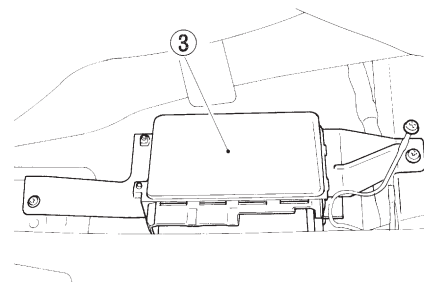
- ⑤ Tone wheel
- ⑥ A.B.S. sensor
- ⑦ Diagnosis connector



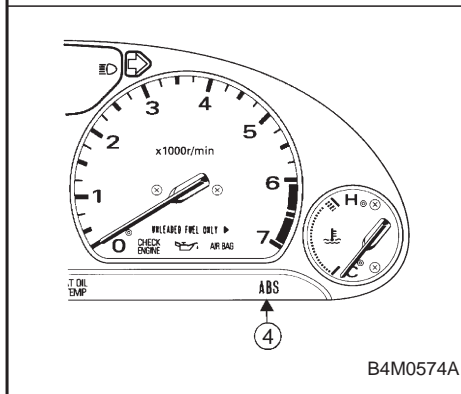
G4M0766



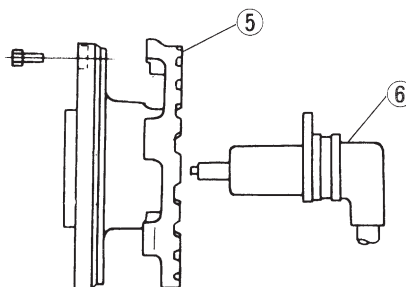
G4M0767



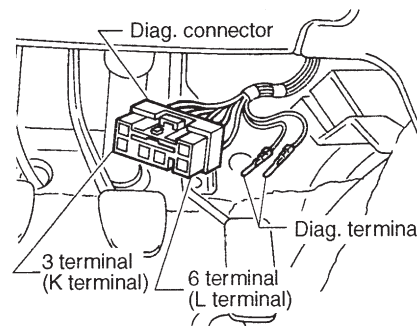
G4M0917



B4M0574A



G4M0769



B4M0231A