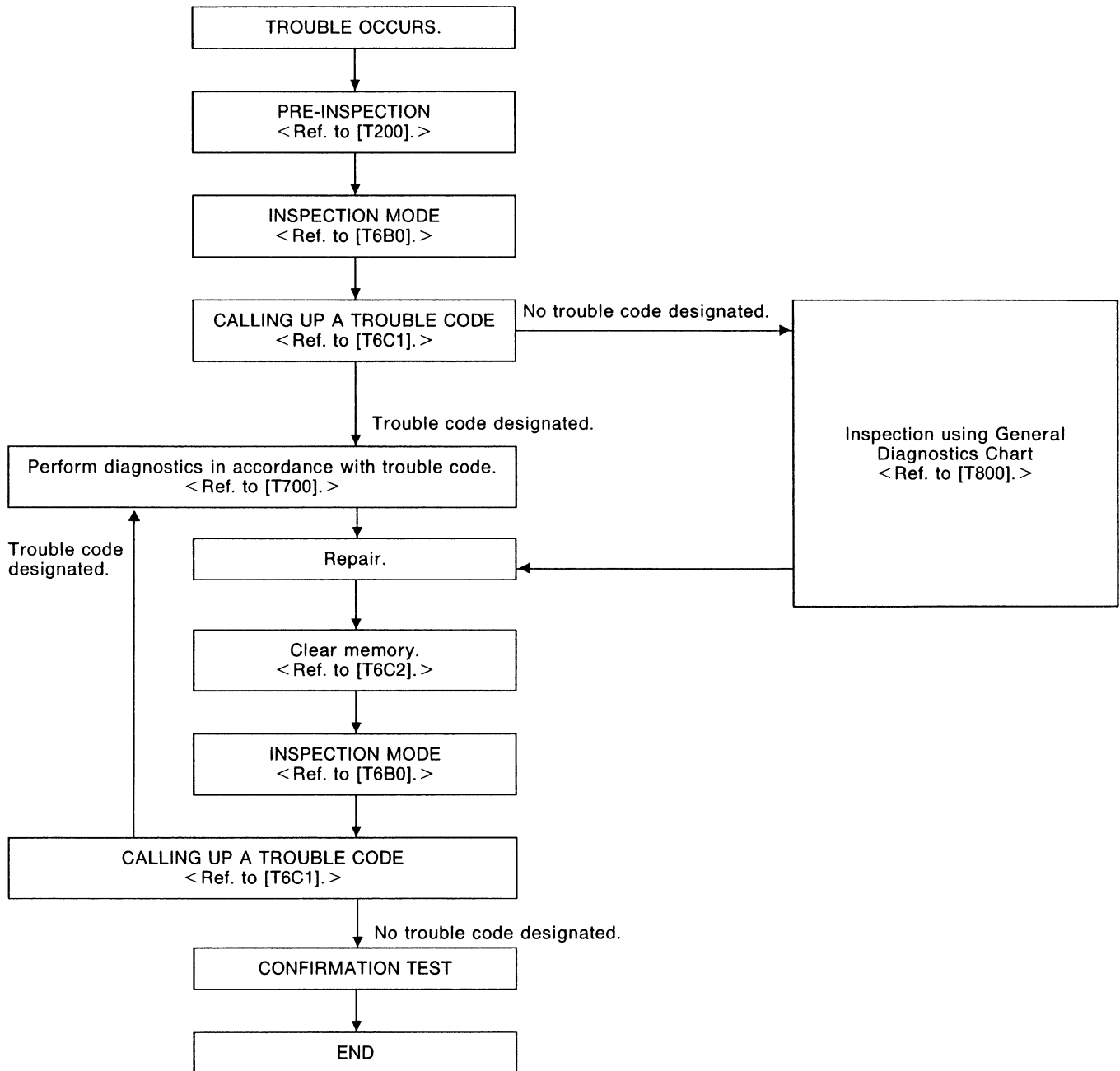


## 6. Diagnostics Chart for On-board Diagnosis System

### A: BASIC DIAGNOSTICS PROCEDURE



**NOTE:**

- To check harness for broken wires or short circuits, shake it while holding it or the connector.
- When A.B.S. warning light illuminates, read and record trouble code indicated by A.B.S. warning light.

**B: INSPECTION MODE**

The on-board diagnosis system is designed to detect problems after the vehicle has been driven at 10 km/h (6 MPH) or more for at least 20 seconds. If a problem is found, the A.B.S. warning light will illuminate to inform the driver of the occurrence of a problem. When the warning light is on, the A.B.S. system will be inactive and the normal braking function will work. It is possible for a maximum of three trouble codes to be stored in memory until cleared.

**C: TROUBLE CODES**

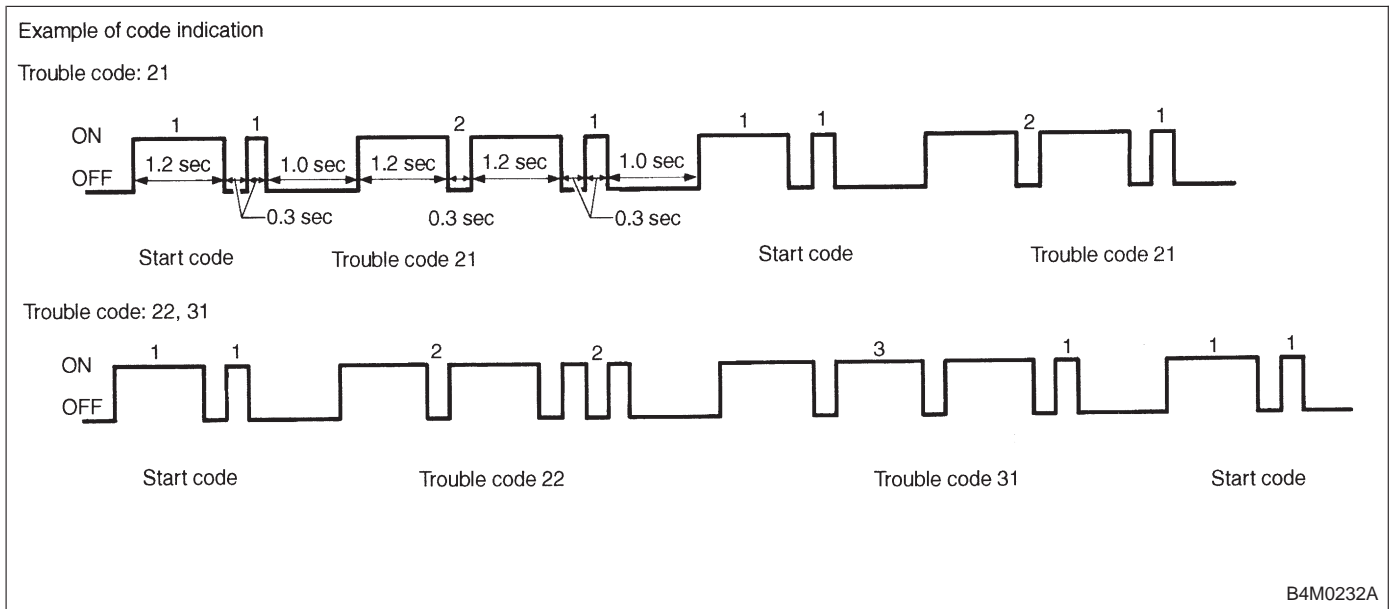
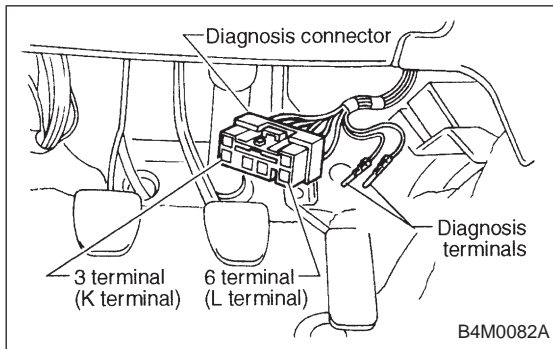
When on-board diagnosis of the A.B.S. control module detects a problem, the information (up to a maximum of three) will be stored in the EEP ROM as a trouble code. When there are more than three, the most recent three will be stored. (Stored codes will stay in memory until they are cleared.)

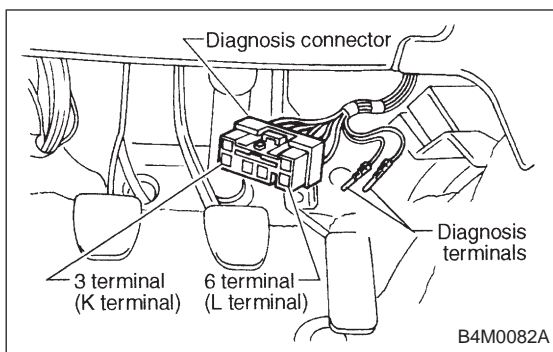
**1. CALLING UP A TROUBLE CODE**

- 1) Take out diagnosis connector from side of driver's seat heater unit.
- 2) Turn ignition switch OFF.
- 3) Connect diagnosis connector terminal 6 (terminal L) to diagnosis terminal.
- 4) Turn ignition switch ON.
- 5) A.B.S. warning light is set in the diagnostic mode and blinks to identify trouble code.
- 6) After the start code (11) is shown, the trouble codes will be shown in order of the last information first. These repeat for a maximum of 5 minutes.

**NOTE:**

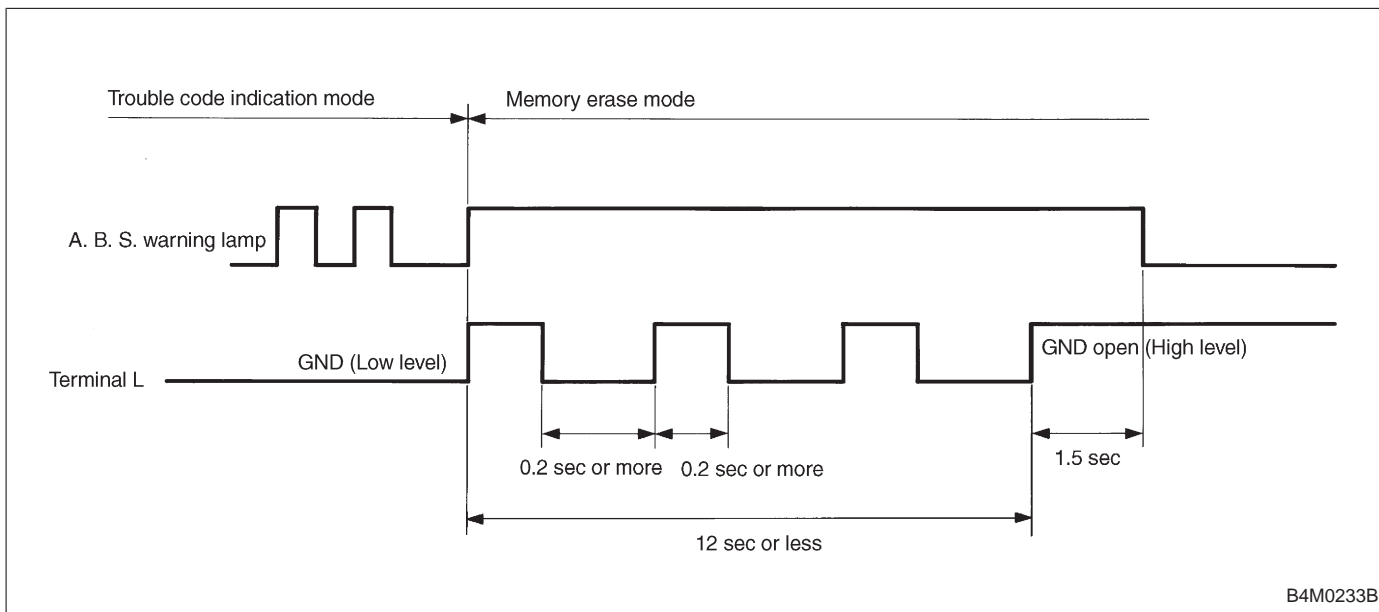
When there are no trouble codes in memory, only the start code (11) is shown.





**2. CLEARING MEMORY**

- 1) After calling up a trouble code, disconnect diagnosis connector terminal 6 (terminal L) from diagnosis terminal.
- 2) Repeat 3 times within approx. 12 seconds; connecting and disconnecting terminal 6 (terminal L) and diagnosis terminal for at least 0.2 seconds each time.



**NOTE:**  
 After diagnostics is completed, make sure to clear memory. Make sure only start code (11) is shown after memory is cleared.