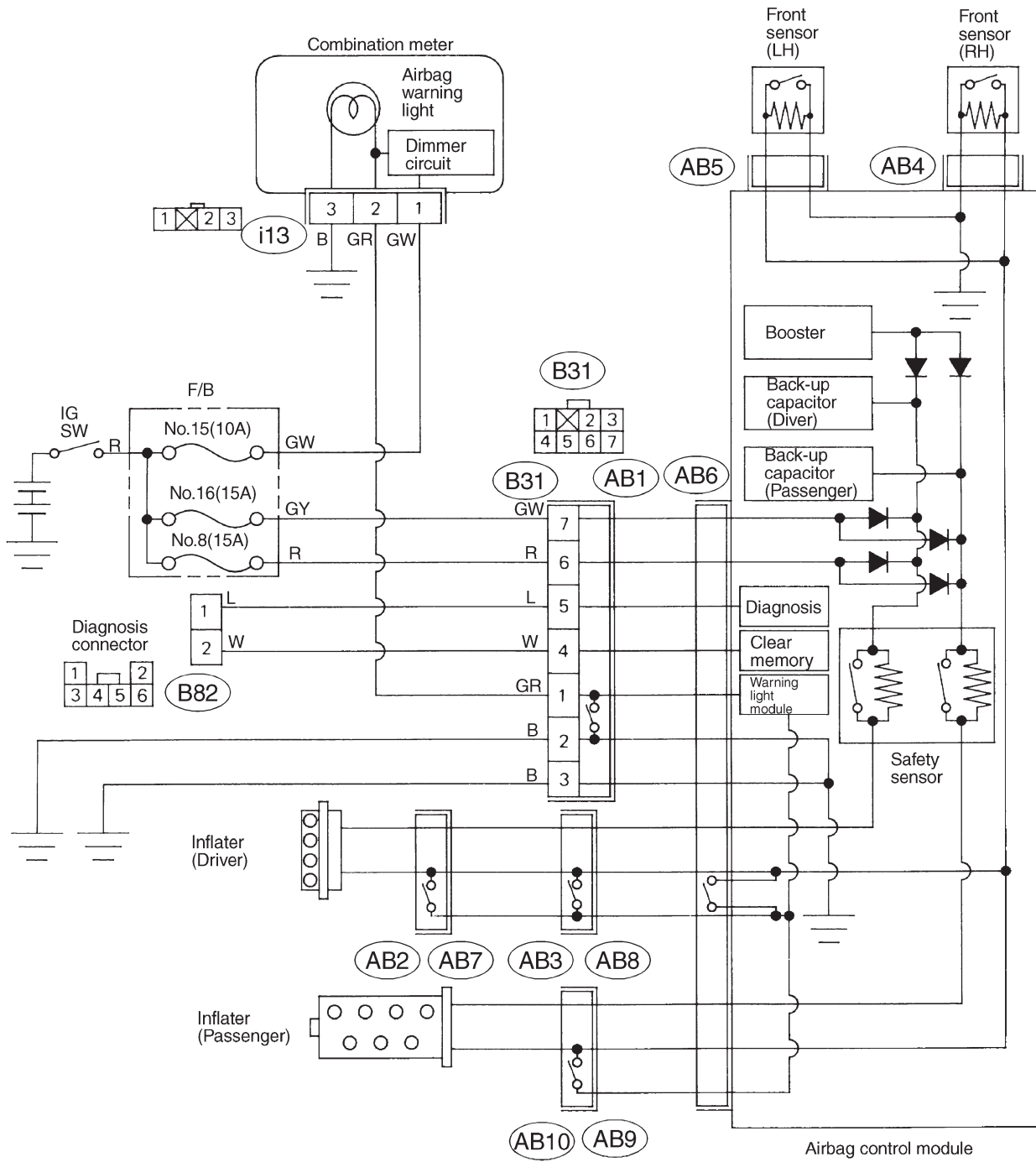


2. Schematic



B5M0111B