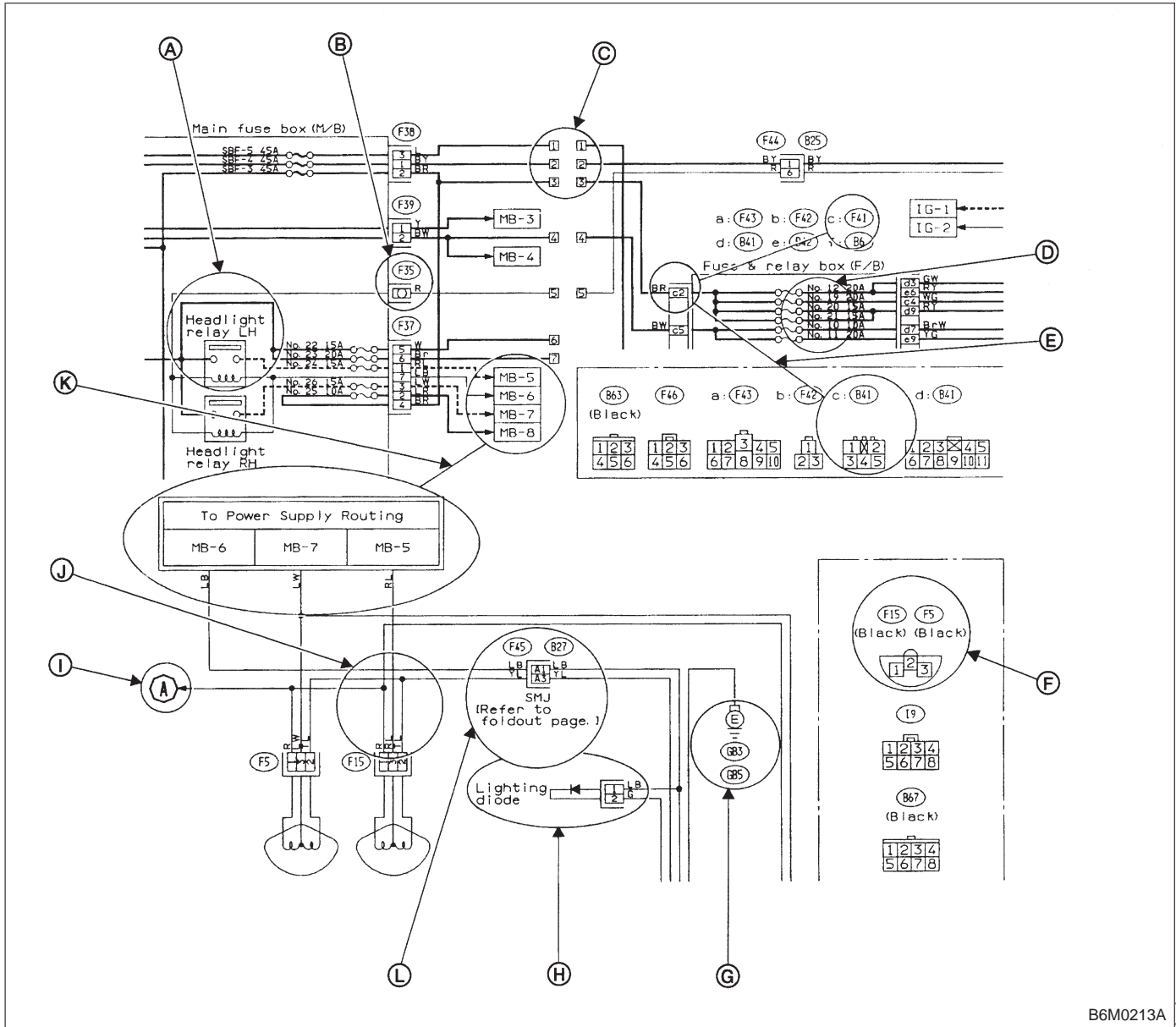


4. How to Use Wiring Diagram



B6M0213A

A: RELAY

A symbol used to indicate a relay.

B: CONNECTOR-1

The sketch of the connector indicates the one-pole types.

C: WIRING CONNECTION

Some wiring diagrams are indicated in foldouts for convenience. Wiring destinations are indicated where necessary by corresponding symbols (as when two pages are needed for clear indication).

D: FUSE No. & RATING

The "FUSE No. & RATING" corresponds that used in the fuse box (main fuse box, and joint box).

E: CONNECTOR-2

1. Each connector is indicated by a symbol.
2. Each terminal number is indicated in the corresponding wiring diagram in an abbreviated form.
3. For example, terminal number "C2" refers to No. 2 terminal of connector (C:F41) shown in the connector sketch.

F: CONNECTOR SKETCH

1. Each connector sketch clearly identifies the shape and color of a connector as well as terminal locations. Non-colored connectors are indicated in natural color.
2. When more than two types of connector number are indicated in a connector sketch, it means that the same type connectors are used.

G: GROUND

Each grounding point can be located easily by referring to the corresponding wiring harness.

H: DIODE


A symbol is used to indicate a diode.

I: WIRE TRACING ON EXTENDED WIRING DIAGRAMS


For a wiring diagram extending over at least two pages, a symbol (consisting of the same characters with arrows), as shown below, facilitates wire tracing from one page to the next.

A ↔ A, B ↔ B

J: SYMBOLS OF WIRE CONNECTION AND CROSSING

 Symbol

Refers to wires which are connected and branched at the “dot” point.

 Symbol

Refers to wires which are crossed but not connected.

K: POWER SUPPLY ROUTING

A symbol is used to indicate the power supply in each wiring diagram.

“MB-5”, “MB-6”, etc., which are used as power supply symbols throughout the text, correspond with those shown in the POWER SUPPLY ROUTING in the wiring diagram.

Accordingly, using the POWER SUPPLY ROUTING and wiring diagrams permits service personnel to understand the entire electrical arrangement of a system.

L: S.M.J.

A symbol is used to indicate the terminal arrangement of the super multiple junction. The S.M.J. is not shown in respective wiring diagrams but is indicated on the next page.

SYMBOLS AND ABBREVIATIONS

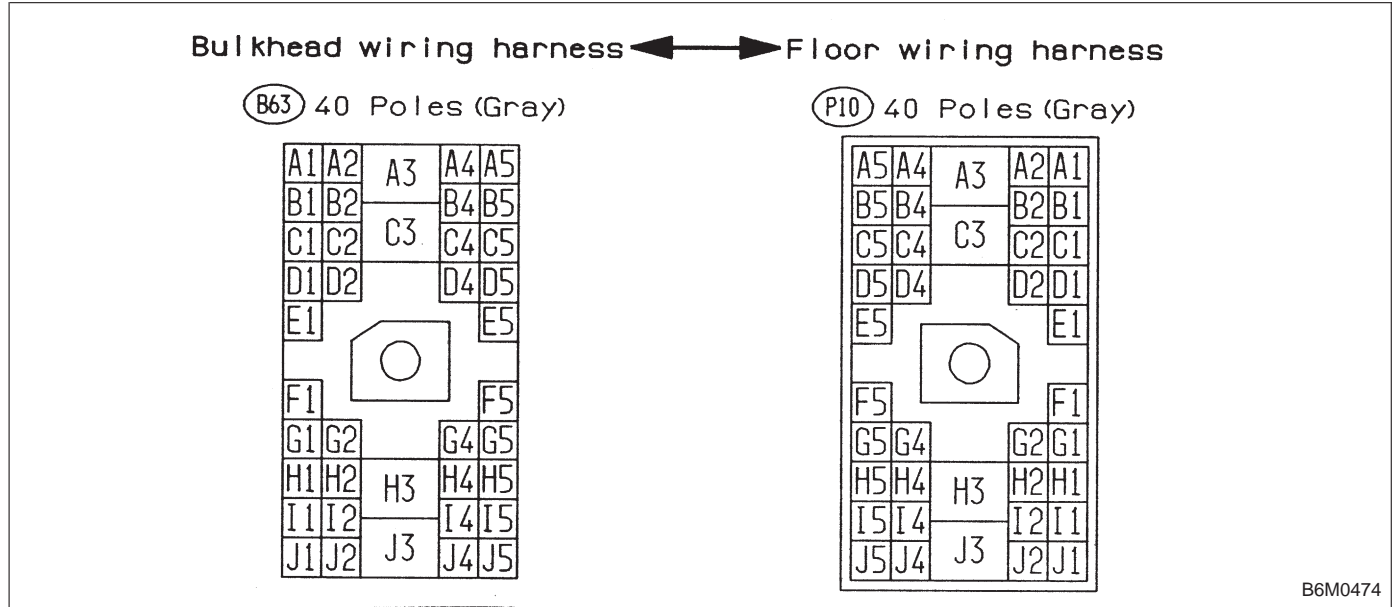
A number of symbols and abbreviations are used in each wiring diagram to easily identify parts or circuits.

5. How to Use Super Multiple Junction (S.M.J.)

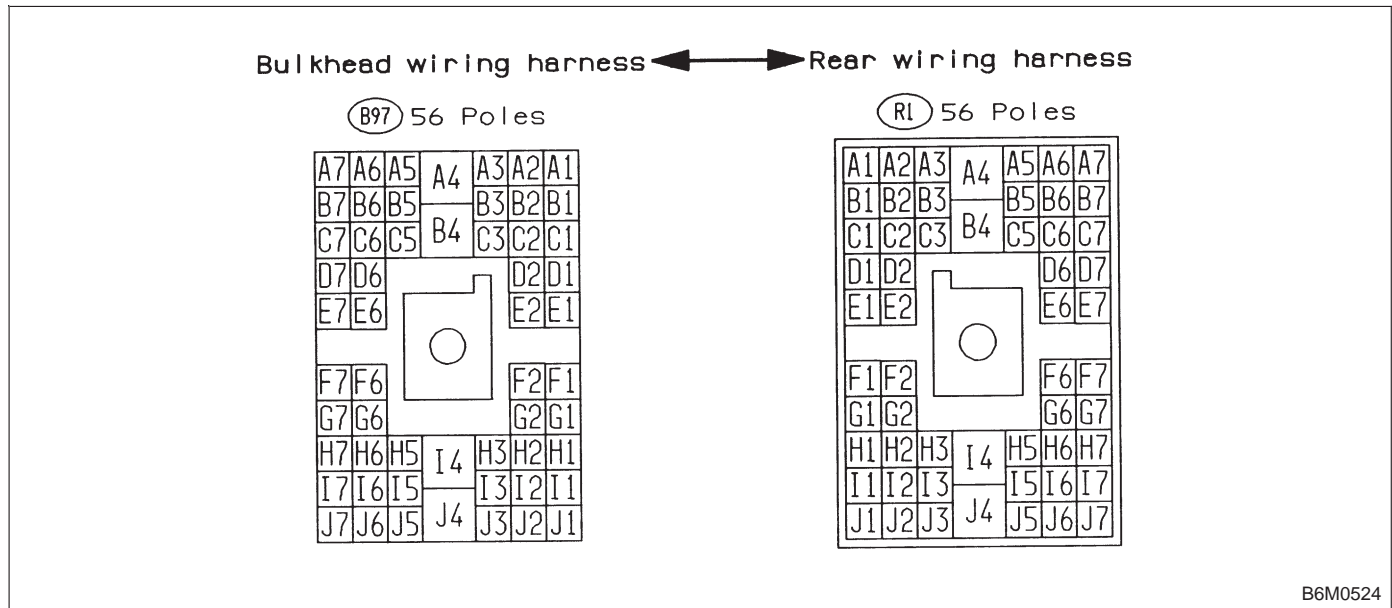
The "S.M.J." indicated in wiring diagrams is shown in a simplified form.

TERMINAL ARRANGEMENT

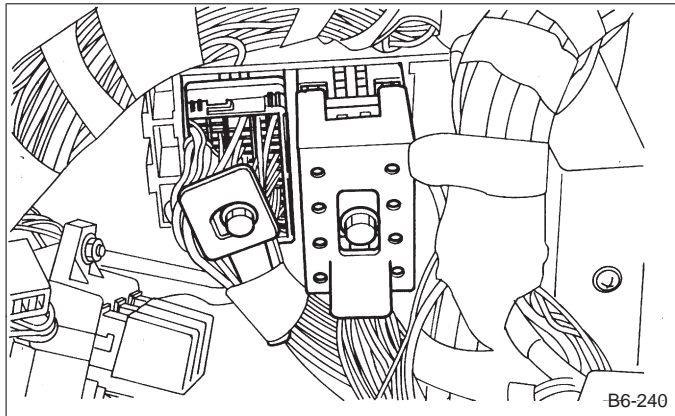
● LHD model



● RHD model



INSTALLATION



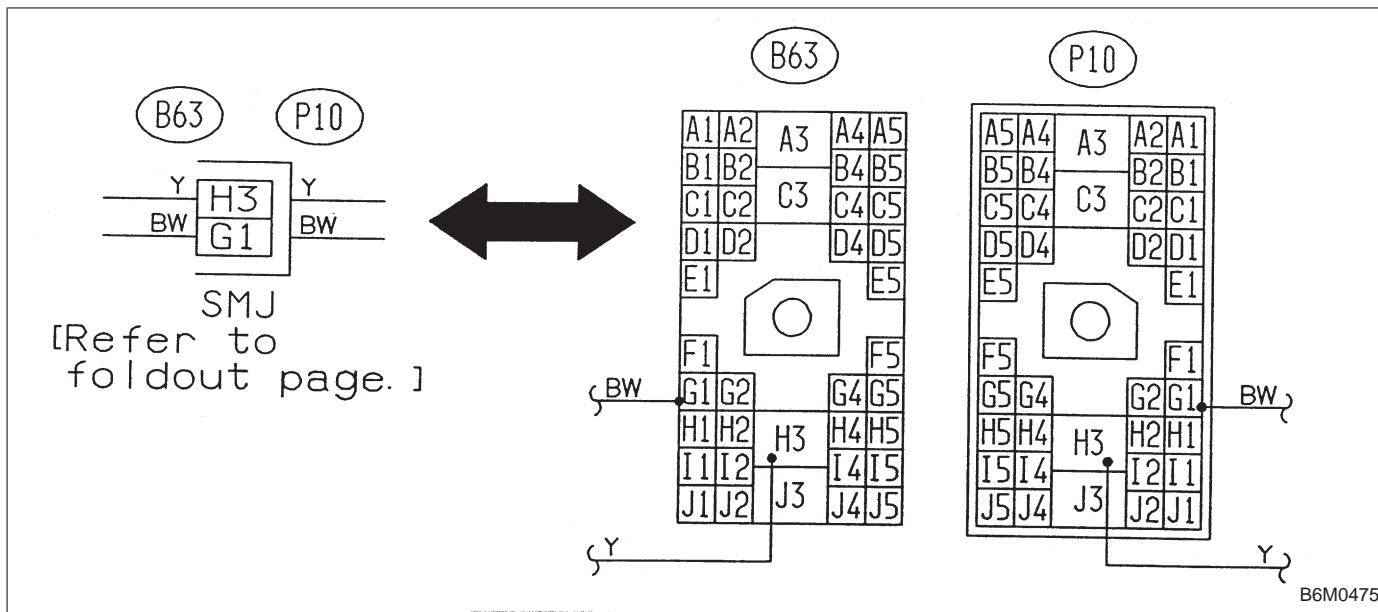
Tightening torque:

4.4 — 7.4 N·m (45 — 75 kg-cm, 39 — 65 in-lb)

NOTE:

- Align the cutout portion of one connector with that of other before tightening the connecting bolt.
- Do not tighten the bolt excessively since this may deform the connectors.

EXPLANATION OF S.M.J. SHOWN IN THE WIRING DIAGRAM



ABBREVIATION LIST

Abbr.	Full name
A.B.S.	Antilock Brake System
ACC	Accessory
A/C	Air Conditioning
AD	Auto Down
AT	Automatic Transmission
AU	Auto Up
+B	Battery
DN	Down
DRL	Daytime Running Light
E	Ground
F/B	Fuse & Joint Box
FL1.5	Fusible link 1.5 mm ²
IG	Ignition
Illumi.	Illumination

Abbr.	Full name
LH	Left Hand
Lo	Low
M	Motor
M/B	Main Fuse Box
MG	Magnet
Mi	Middle
OP	Optional Parts
PASS	Passing
RH	Right Hand
SBF	Slow Blow Fuse
S.M.J.	Super Multiple Junction
ST	Starter
SW	Switch
T.C.S.	Traction Control System
UP	Up
WASH	Washer

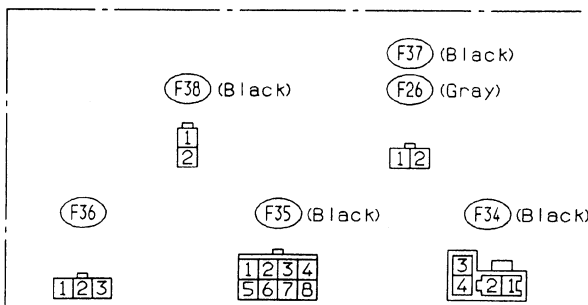
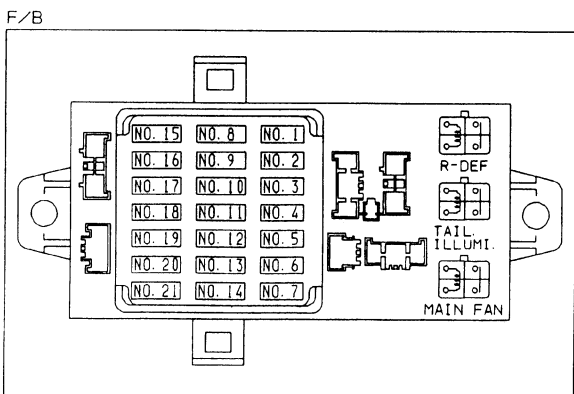
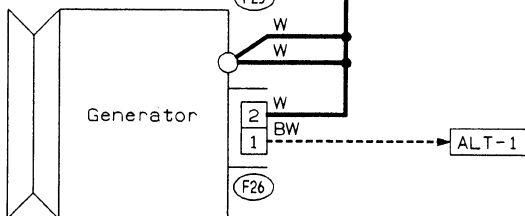
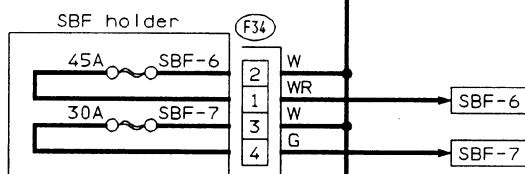
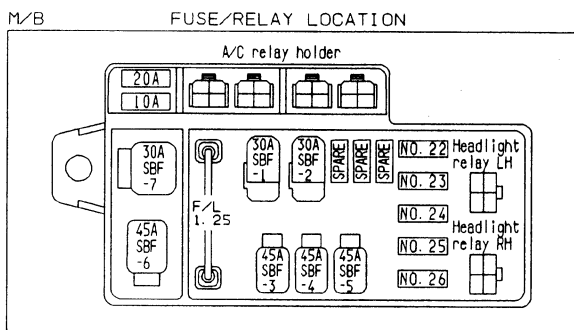
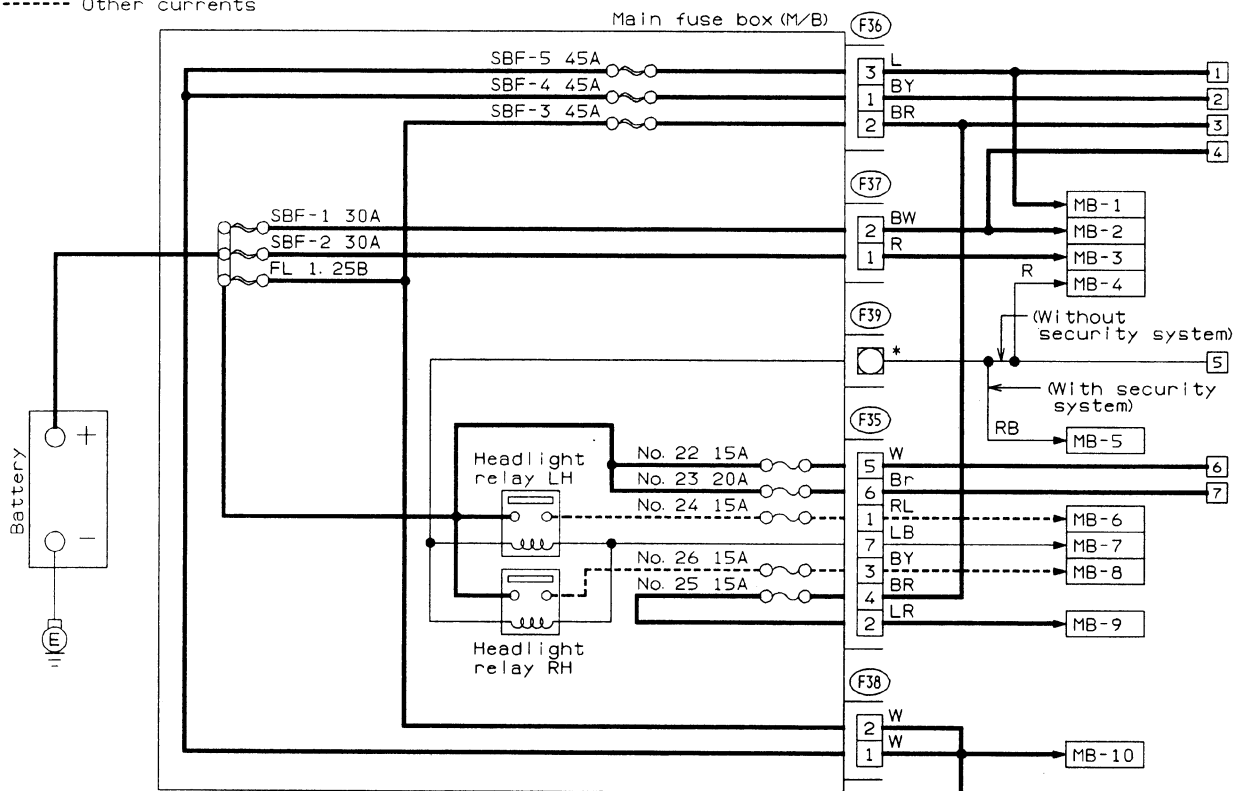
6. Wiring Diagram

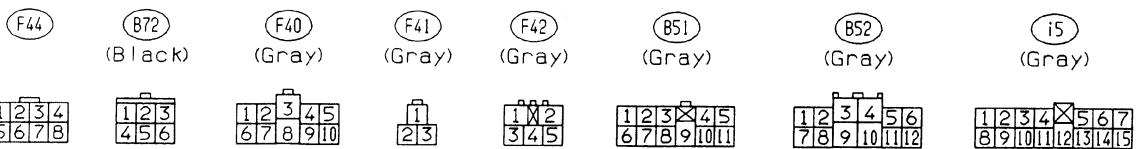
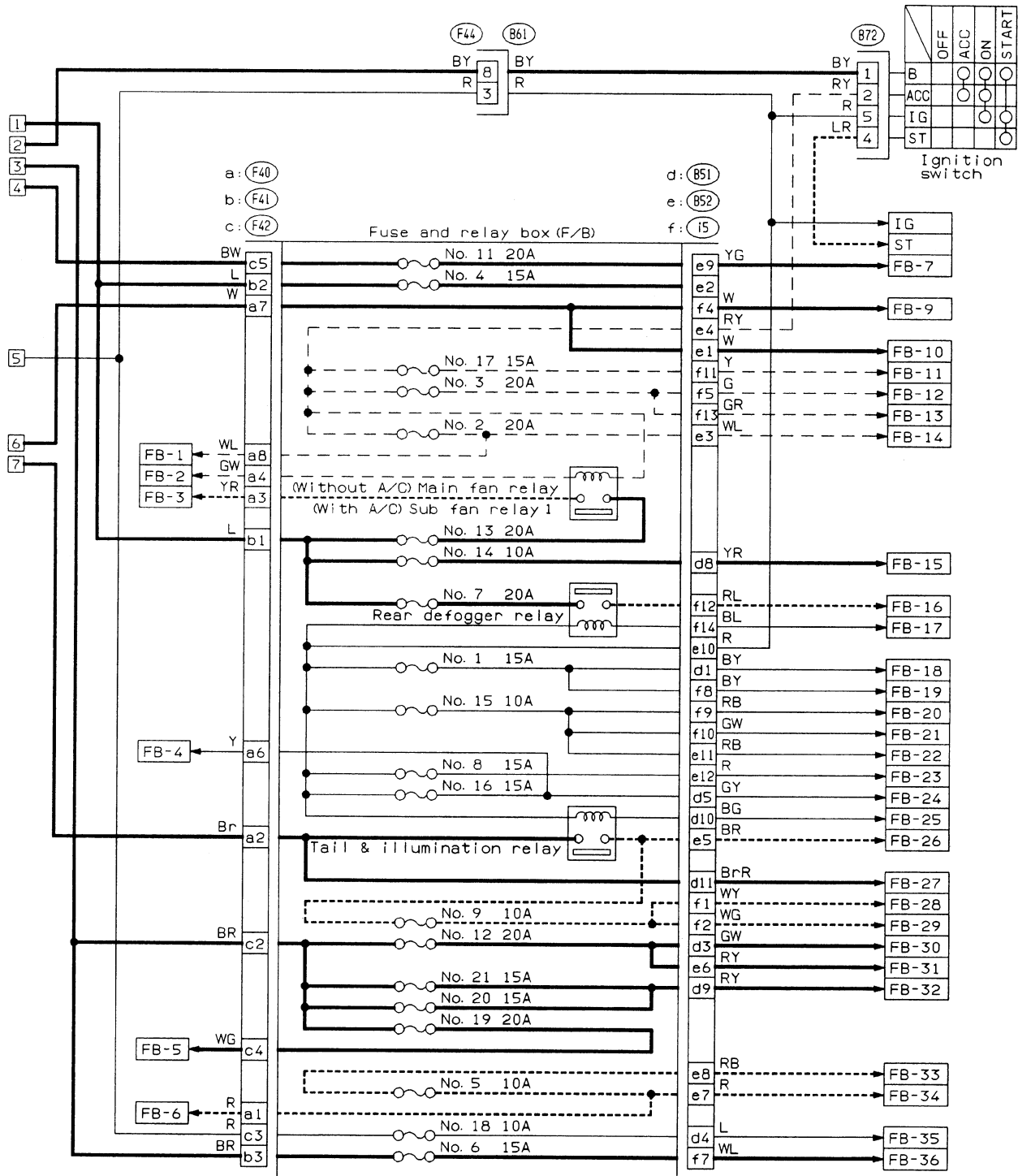
1. POWER SUPPLY ROUTING

● LHD model

- Battery current
- Current from ignition switch IG terminal
- - - Current from ignition switch ACC terminal
- Other currents

*RB : With security system
R : Without security system





6. Wiring Diagram

No.	Load
MB-1	Fuse holder (Rear power supply)
MB-2	Power window circuit breaker
MB-3	Engine control module Fuel pump relay Main relay OBD-II service connector
MB-4	A/C relay holder
MB-5	Headlight alarm relay (with security)
MB-6	Headlight LH
MB-7	Combination meter Daytime running light control module Diode (Lighting) Diode (Security) Lighting switch Luggage room light Room light Step light Trunk room light
MB-8	Combination meter Front fog light switch Headlight RH
MB-9	Door lock timer Headlight alarm relay Interrupt relay Radio Security control module Security indicator light Spot light
MB-10	A/C relay holder
SBF-6	Hydraulic unit (A.B.S.) T.C.S. motor relay
SBF-7	T.C.S. valve relay
ALT-1	Combination meter Daytime running light control module
IG	Headlight alarm relay
ST	Cruise control module Engine control module Inhibitor switch (AT) Interrupt relay Starter interlock relay (MT)
FB-1	Front washer motor Rear washer motor
FB-2	Diode (A/C)
FB-3	Sub fan motor Sub fan relay-2
FB-4	Engine control module Fuel pump relay Transmission control module
FB-5	Hydraulic unit (A.B.S.)
FB-6	Front clearance light LH Front clearance light RH Side marker light LH Side marker light RH

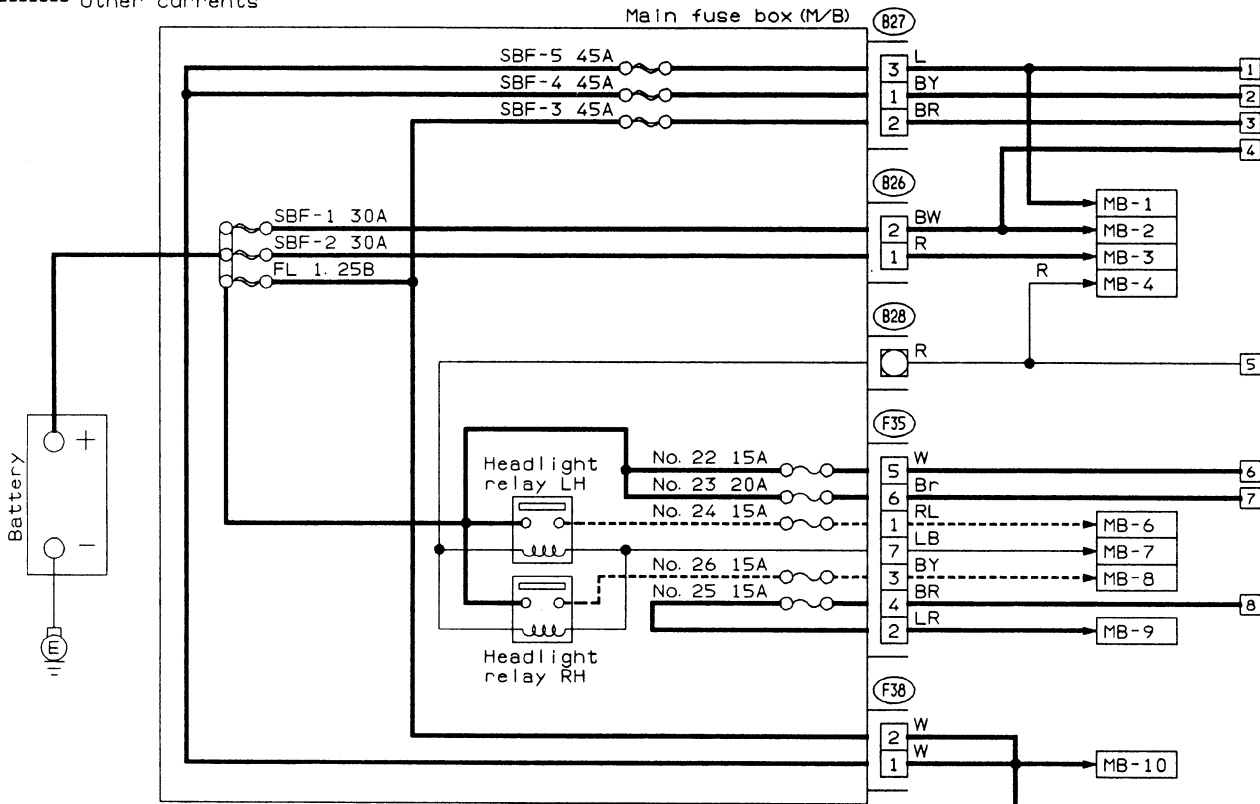
No.	Load
FB-7	Door lock timer
FB-9	Hazard switch
FB-10	AT shift lock control module Key warning switch Power antenna
FB-11	Radio
FB-12	Cigarette lighter
FB-13	Remote control rearview mirror switch Security control module Vanity mirror illumination light
FB-14	AT shift lock control module Combination switch Front wiper motor Rear wiper motor Rear wiper relay
FB-15	A.B.S./T.C.S. control module Transmission control module
FB-16	Rear defogger Rear defogger condenser Rear defogger switch
FB-17	Rear defogger switch
FB-18	AT shift lock control module Back-up light switch (MT) Inhibitor switch (AT)
FB-19	Hazard switch
FB-20	A/C switch Combination meter Mode control panel T.C.S. off switch
FB-21	Combination meter (Airbag)
FB-22	Blower motor relay Check connector Daytime running light control module Daytime running light relay FRESH/RECIRC actuator Hi-beam relay Power window and sunroof relay Seat belt timer
FB-23	Airbag control module
FB-24	Airbag control module
FB-25	Lighting switch
FB-26	Parking switch
FB-27	Parking switch
FB-28	Illumination light
FB-29	Illumination light
FB-30	Pedal stroke sensor Stop light switch Stop & brake switch
FB-31	Horn relay
FB-32	Blower motor relay
FB-33	Parking switch

No.	Load
FB-34	Rear combination light LH Rear combination light RH Rear finisher light LH Rear finisher light RH
FB-35	A.B.S. control module A.B.S. G sensor A.B.S./T.C.S. control module A.B.S./T.C.S. valve relay Cruise control main switch Cruise control module
FB-36	Front fog light relay

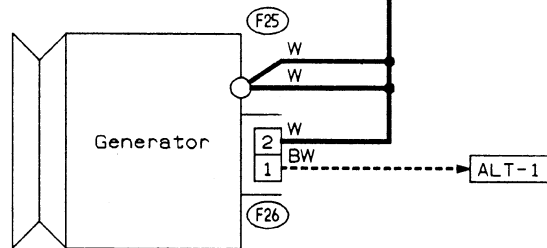
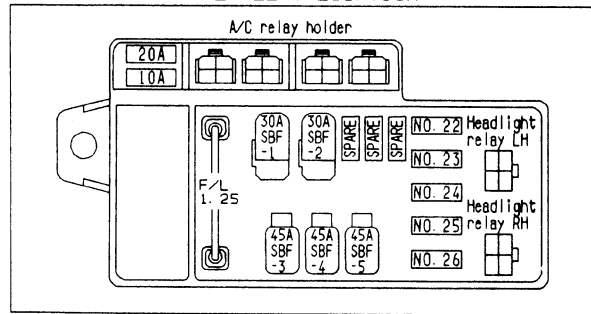
1. POWER SUPPLY ROUTING

● RHD model

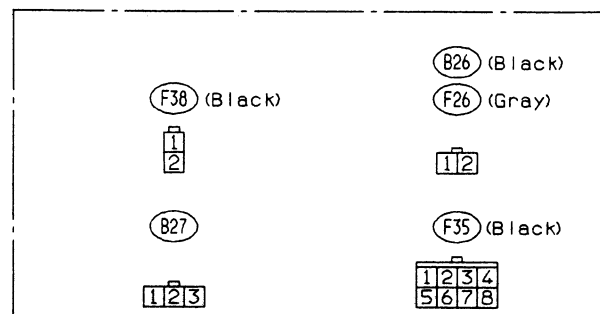
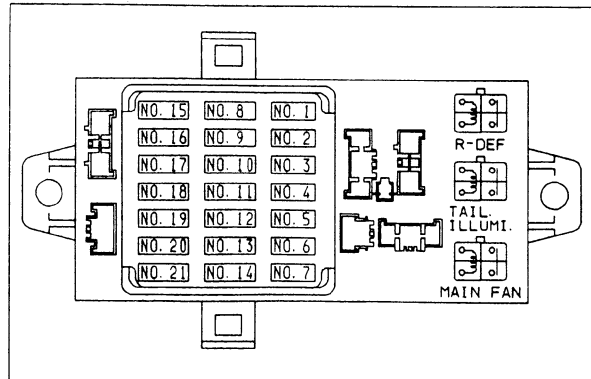
- Battery current
- Current from ignition switch IG terminal
- - - Current from ignition switch ACC terminal
- Other currents

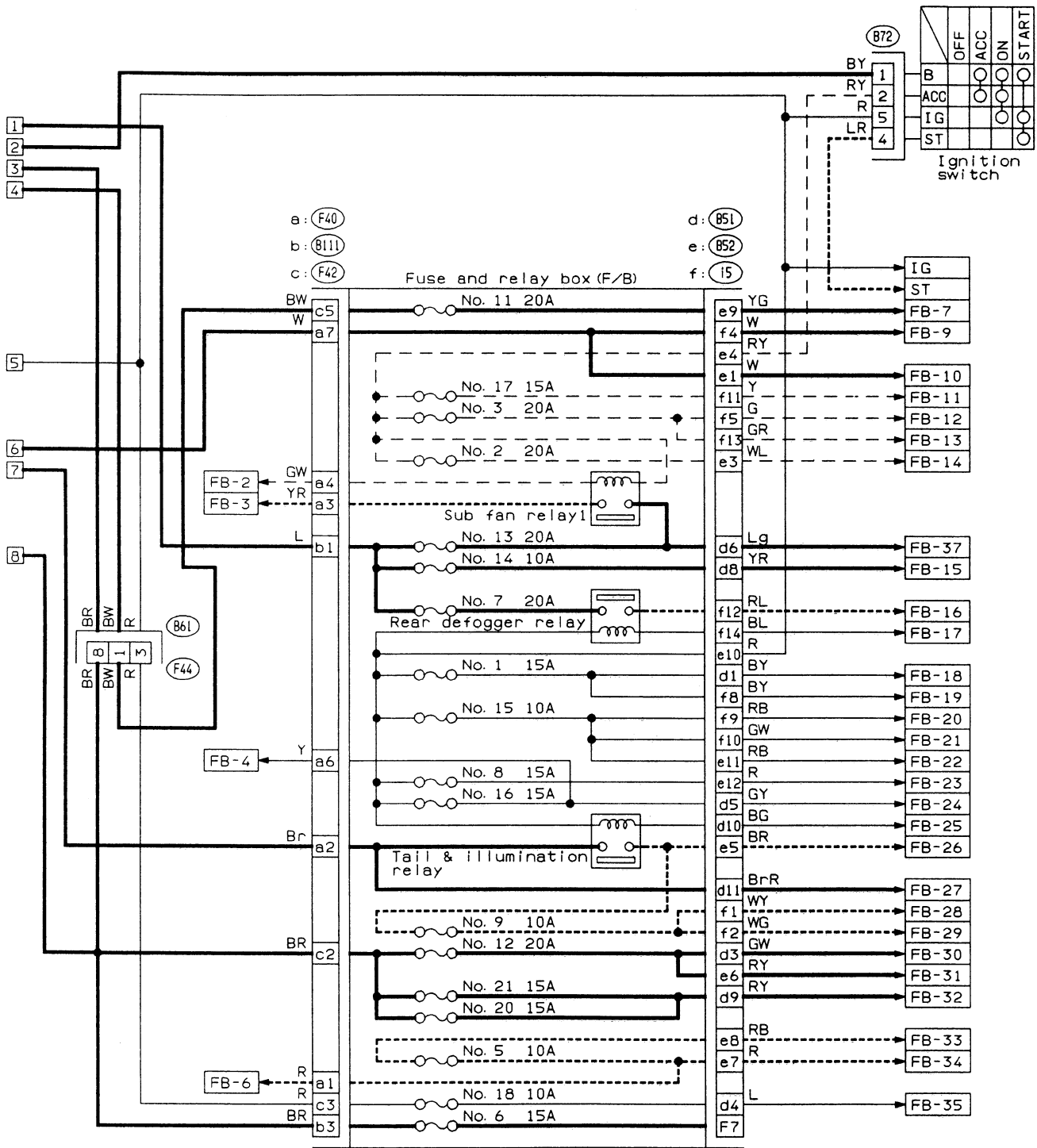


M/B FUSE/RELAY LOCATION



F/B





- | | | | | | | | | | | | | | | | | | | | | | | | | | | | | | | | | | | | | | | | | | | | | | | | | | | | | | | | | | | | | | | | | | | | | | | | | | | | | | | | |
|--|---------|--------|--------|--------|--------|--------|--------|---|--|---|---|---|---|---|---|---|---|---|---|---|---|---|---|---|---|----|---|---|---|---|---|---|--|--|---|---|---|---|---|---|---|---|---|----|----|--|--|--|--|---|---|---|---|---|---|---|---|---|---|----|----|----|--|--|---|---|---|---|---|---|---|---|---|---|----|----|----|----|----|
| (F44) | (B72) | (F40) | (B111) | (F42) | (B51) | (B52) | (i5) | | | | | | | | | | | | | | | | | | | | | | | | | | | | | | | | | | | | | | | | | | | | | | | | | | | | | | | | | | | | | | | | | | | | | | | | |
| | (Black) | (Gray) | (Gray) | (Gray) | (Gray) | (Gray) | (Gray) | | | | | | | | | | | | | | | | | | | | | | | | | | | | | | | | | | | | | | | | | | | | | | | | | | | | | | | | | | | | | | | | | | | | | | | | |
| <table border="1" style="font-size: small; border-collapse: collapse;"> <tr><td>1</td><td>2</td><td>3</td><td>4</td></tr> <tr><td>5</td><td>6</td><td>7</td><td>8</td></tr> </table> | 1 | 2 | 3 | 4 | 5 | 6 | 7 | 8 | <table border="1" style="font-size: small; border-collapse: collapse;"> <tr><td>1</td><td>2</td><td>3</td></tr> <tr><td>4</td><td>5</td><td>6</td></tr> </table> | 1 | 2 | 3 | 4 | 5 | 6 | <table border="1" style="font-size: small; border-collapse: collapse;"> <tr><td>1</td><td>2</td><td>3</td><td>4</td><td>5</td></tr> <tr><td>6</td><td>7</td><td>8</td><td>9</td><td>10</td></tr> </table> | 1 | 2 | 3 | 4 | 5 | 6 | 7 | 8 | 9 | 10 | <table border="1" style="font-size: small; border-collapse: collapse;"> <tr><td>1</td><td>2</td></tr> <tr><td>3</td><td>4</td></tr> <tr><td>5</td><td></td></tr> </table> | 1 | 2 | 3 | 4 | 5 | | <table border="1" style="font-size: small; border-collapse: collapse;"> <tr><td>1</td><td>2</td><td>3</td><td>4</td><td>5</td></tr> <tr><td>6</td><td>7</td><td>8</td><td>9</td><td>10</td></tr> <tr><td>11</td><td></td><td></td><td></td><td></td></tr> </table> | 1 | 2 | 3 | 4 | 5 | 6 | 7 | 8 | 9 | 10 | 11 | | | | | <table border="1" style="font-size: small; border-collapse: collapse;"> <tr><td>1</td><td>2</td><td>3</td><td>4</td><td>5</td><td>6</td><td>7</td></tr> <tr><td>8</td><td>9</td><td>10</td><td>11</td><td>12</td><td></td><td></td></tr> </table> | 1 | 2 | 3 | 4 | 5 | 6 | 7 | 8 | 9 | 10 | 11 | 12 | | | <table border="1" style="font-size: small; border-collapse: collapse;"> <tr><td>1</td><td>2</td><td>3</td><td>4</td><td>5</td><td>6</td><td>7</td></tr> <tr><td>8</td><td>9</td><td>10</td><td>11</td><td>12</td><td>13</td><td>14</td></tr> </table> | 1 | 2 | 3 | 4 | 5 | 6 | 7 | 8 | 9 | 10 | 11 | 12 | 13 | 14 |
| 1 | 2 | 3 | 4 | | | | | | | | | | | | | | | | | | | | | | | | | | | | | | | | | | | | | | | | | | | | | | | | | | | | | | | | | | | | | | | | | | | | | | | | | | | | |
| 5 | 6 | 7 | 8 | | | | | | | | | | | | | | | | | | | | | | | | | | | | | | | | | | | | | | | | | | | | | | | | | | | | | | | | | | | | | | | | | | | | | | | | | | | | |
| 1 | 2 | 3 | | | | | | | | | | | | | | | | | | | | | | | | | | | | | | | | | | | | | | | | | | | | | | | | | | | | | | | | | | | | | | | | | | | | | | | | | | | | | |
| 4 | 5 | 6 | | | | | | | | | | | | | | | | | | | | | | | | | | | | | | | | | | | | | | | | | | | | | | | | | | | | | | | | | | | | | | | | | | | | | | | | | | | | | |
| 1 | 2 | 3 | 4 | 5 | | | | | | | | | | | | | | | | | | | | | | | | | | | | | | | | | | | | | | | | | | | | | | | | | | | | | | | | | | | | | | | | | | | | | | | | | | | |
| 6 | 7 | 8 | 9 | 10 | | | | | | | | | | | | | | | | | | | | | | | | | | | | | | | | | | | | | | | | | | | | | | | | | | | | | | | | | | | | | | | | | | | | | | | | | | | |
| 1 | 2 | | | | | | | | | | | | | | | | | | | | | | | | | | | | | | | | | | | | | | | | | | | | | | | | | | | | | | | | | | | | | | | | | | | | | | | | | | | | | | |
| 3 | 4 | | | | | | | | | | | | | | | | | | | | | | | | | | | | | | | | | | | | | | | | | | | | | | | | | | | | | | | | | | | | | | | | | | | | | | | | | | | | | | |
| 5 | | | | | | | | | | | | | | | | | | | | | | | | | | | | | | | | | | | | | | | | | | | | | | | | | | | | | | | | | | | | | | | | | | | | | | | | | | | | | | | |
| 1 | 2 | 3 | 4 | 5 | | | | | | | | | | | | | | | | | | | | | | | | | | | | | | | | | | | | | | | | | | | | | | | | | | | | | | | | | | | | | | | | | | | | | | | | | | | |
| 6 | 7 | 8 | 9 | 10 | | | | | | | | | | | | | | | | | | | | | | | | | | | | | | | | | | | | | | | | | | | | | | | | | | | | | | | | | | | | | | | | | | | | | | | | | | | |
| 11 | | | | | | | | | | | | | | | | | | | | | | | | | | | | | | | | | | | | | | | | | | | | | | | | | | | | | | | | | | | | | | | | | | | | | | | | | | | | | | | |
| 1 | 2 | 3 | 4 | 5 | 6 | 7 | | | | | | | | | | | | | | | | | | | | | | | | | | | | | | | | | | | | | | | | | | | | | | | | | | | | | | | | | | | | | | | | | | | | | | | | | |
| 8 | 9 | 10 | 11 | 12 | | | | | | | | | | | | | | | | | | | | | | | | | | | | | | | | | | | | | | | | | | | | | | | | | | | | | | | | | | | | | | | | | | | | | | | | | | | |
| 1 | 2 | 3 | 4 | 5 | 6 | 7 | | | | | | | | | | | | | | | | | | | | | | | | | | | | | | | | | | | | | | | | | | | | | | | | | | | | | | | | | | | | | | | | | | | | | | | | | |
| 8 | 9 | 10 | 11 | 12 | 13 | 14 | | | | | | | | | | | | | | | | | | | | | | | | | | | | | | | | | | | | | | | | | | | | | | | | | | | | | | | | | | | | | | | | | | | | | | | | | |

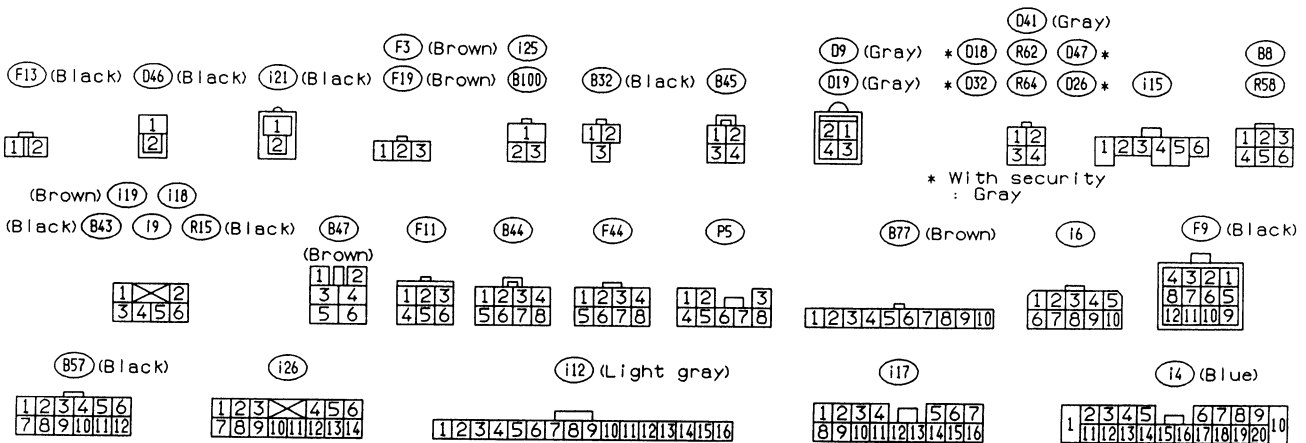
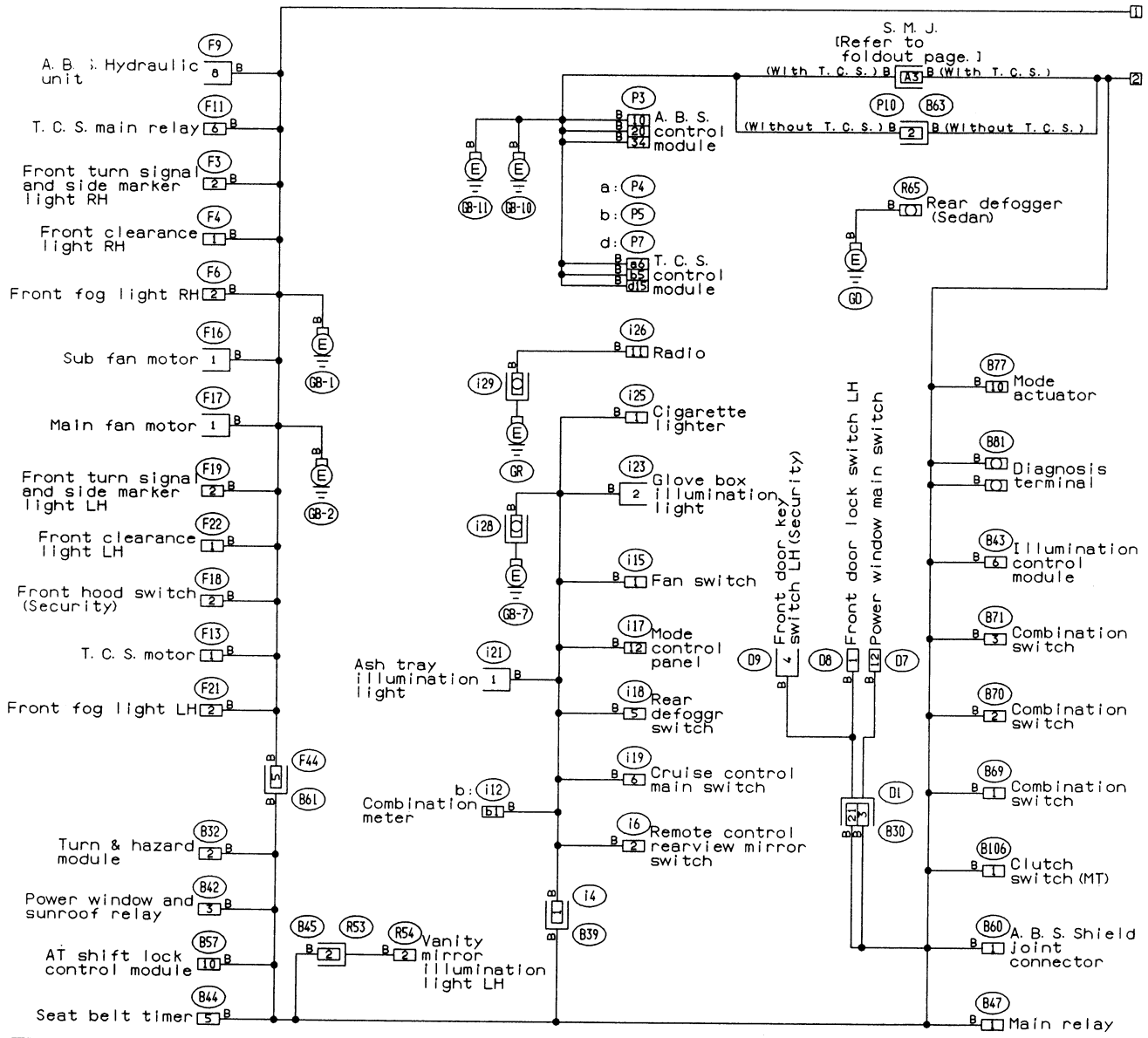
6. Wiring Diagram

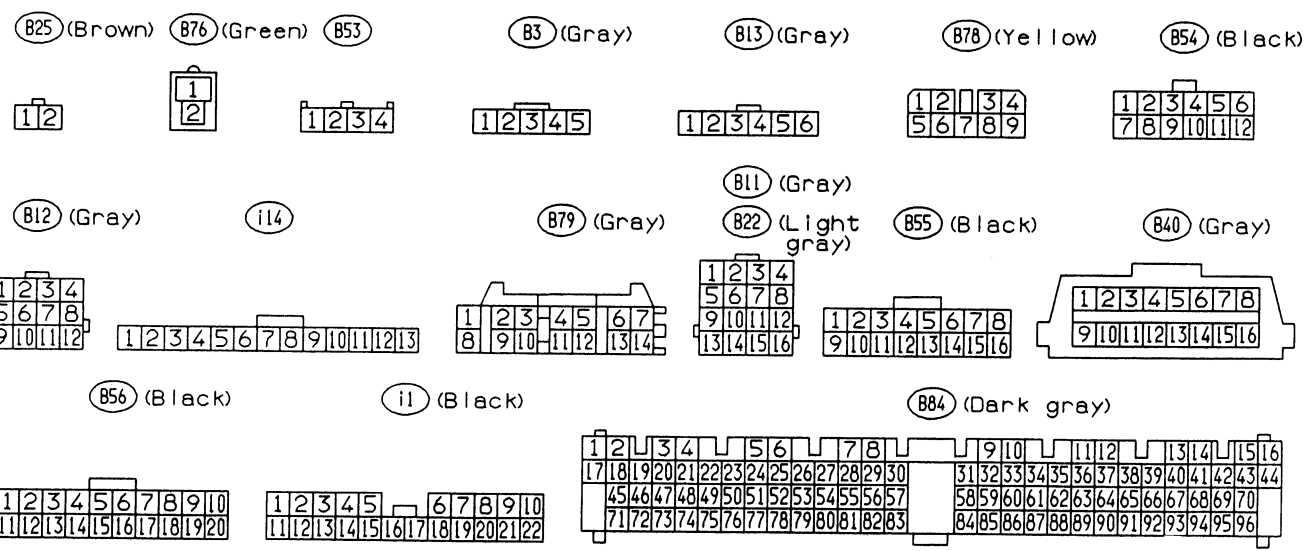
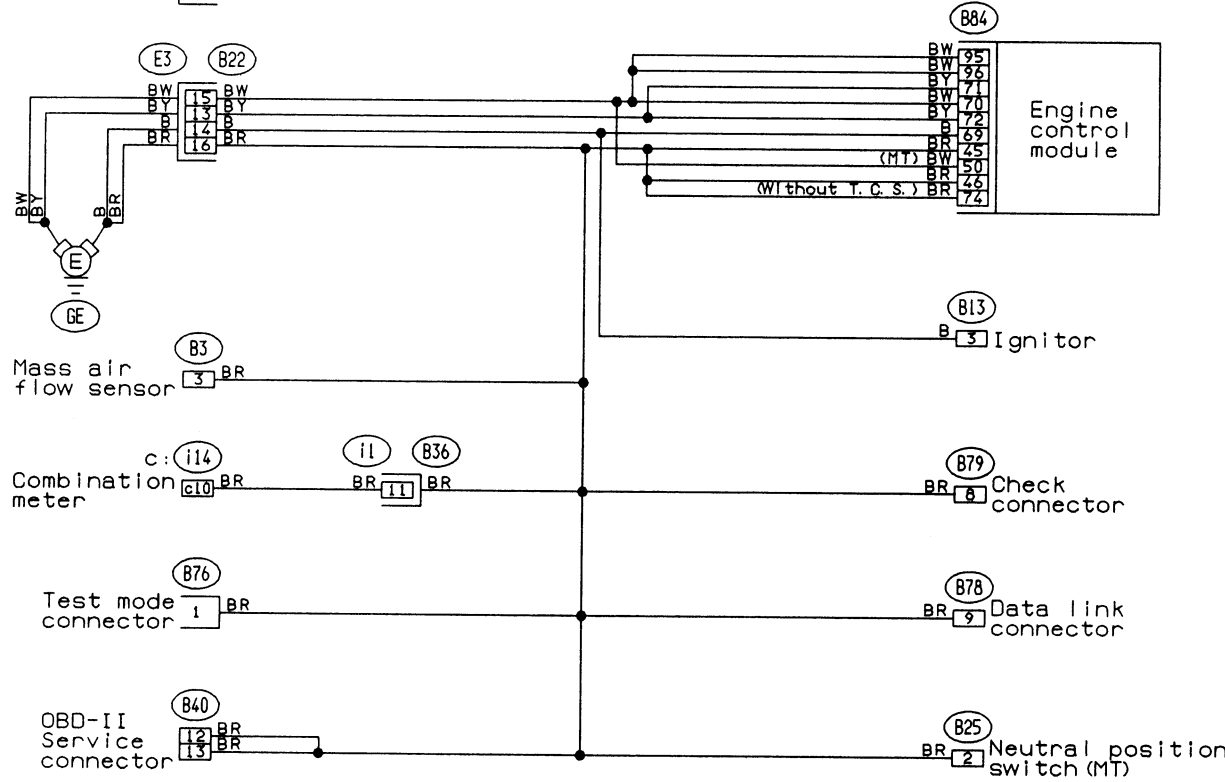
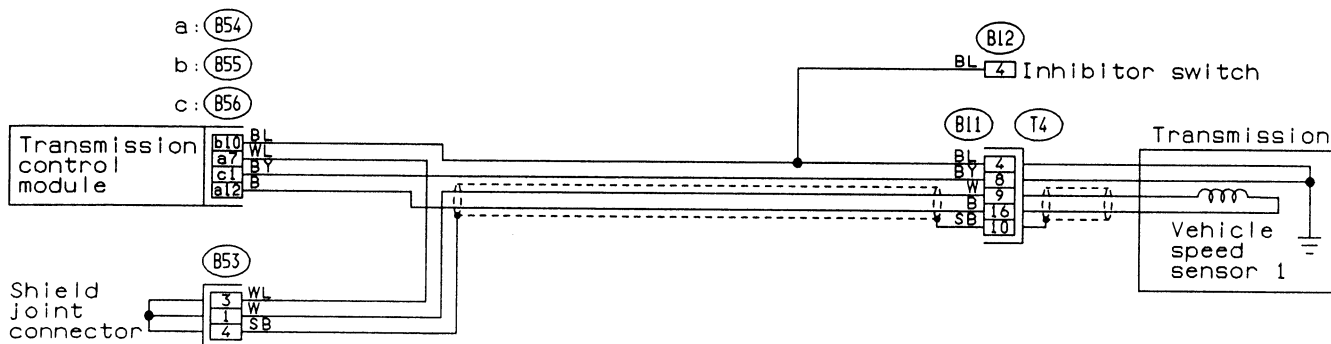
No.	Load
MB-2	Power window circuit breaker
MB-3	Engine control module Fuel pump relay Main relay OBD-II service connector
MB-6	Headlight LH
MB-7	Diode (Lighting) Lighting switch
MB-8	Combination meter Headlight RH
MB-9	Combination meter Door lock timer Luggage room light Radio Room light
MB-10	A/C relay holder
ALT-1	Combination meter
IG	A/C relay holder
ST	Cruise control module Engine control module Inhibitor switch
FB-2	Diode (A/C)
FB-3	Sub fan motor Sub fan relay-2
FB-4	Engine control module Fuel pump relay Ignition coil Transmission control module
FB-6	Side marker light LH Side marker light RH
FB-7	Door lock timer
FB-9	Hazard switch
FB-10	AT shift lock control module Key warning switch Power antenna
FB-11	Radio
FB-12	Cigarette lighter
FB-13	Remote control rearview mirror switch
FB-14	AT shift lock control module Combination switch Front washer motor Front wiper motor Rear washer motor Rear wiper motor Rear wiper relay
FB-15	Transmission control module
FB-16	Rear defogger Rear defogger condenser Rear defogger switch
FB-17	Rear defogger switch

No.	Load
FB-18	AT shift lock control module Inhibitor switch
FB-19	Hazard switch
FB-20	Combination meter Mode control panel
FB-21	Combination meter (Airbag)
FB-22	Blower motor relay Check connector FRESH/RECIRC actuator Mode actuator Power window relay Seat belt timer
FB-23	Airbag control module
FB-24	Airbag control module
FB-25	Lighting switch
FB-26	Parking switch
FB-27	Parking switch
FB-28	Illumination light
FB-29	Illumination light
FB-30	Stop light switch Stop & brake switch
FB-31	Horn relay
FB-32	Blower motor relay
FB-33	Parking switch
FB-34	License plate light LH License plate light RH Rear combination light LH Rear combination light RH Rear finisher light LH Rear finisher light RH
FB-35	Cruise control main switch Cruise control module

2. GROUND DISTRIBUTION

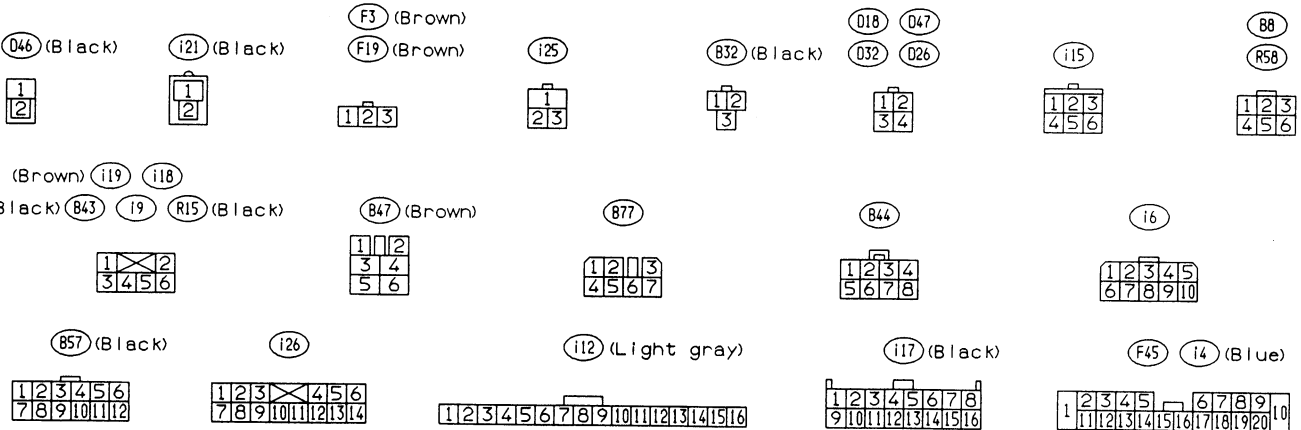
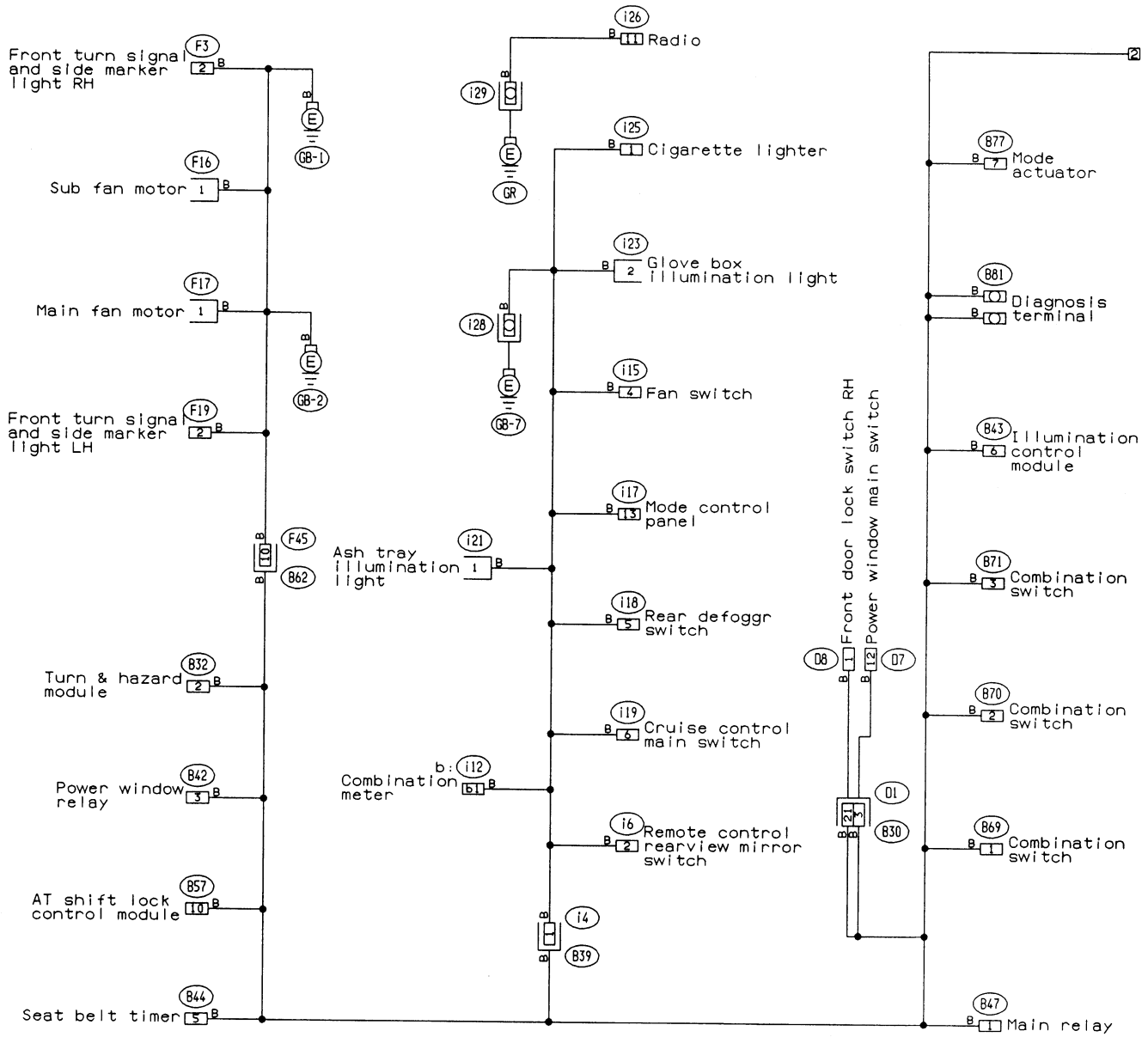
● LHD model

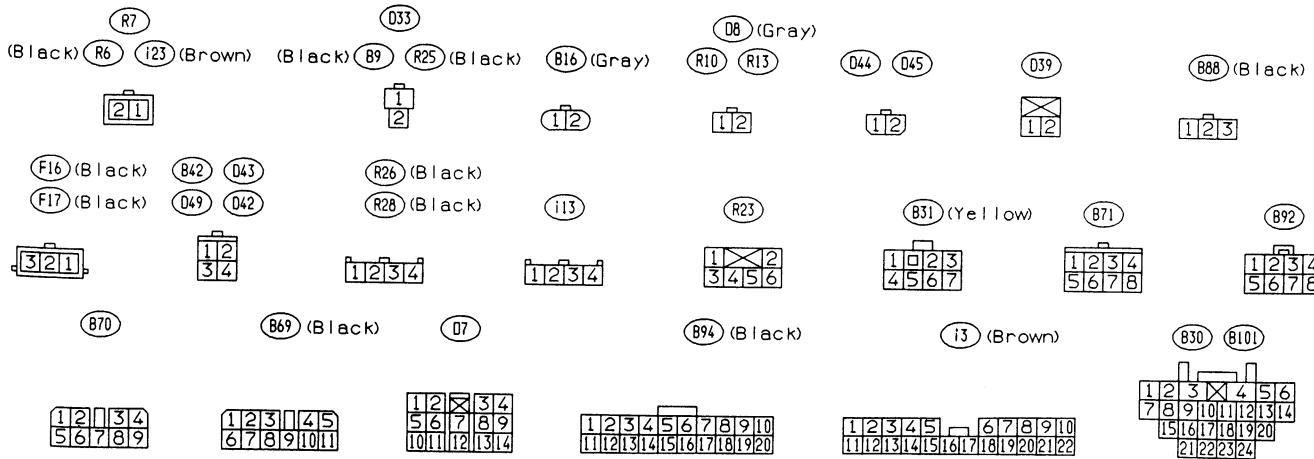
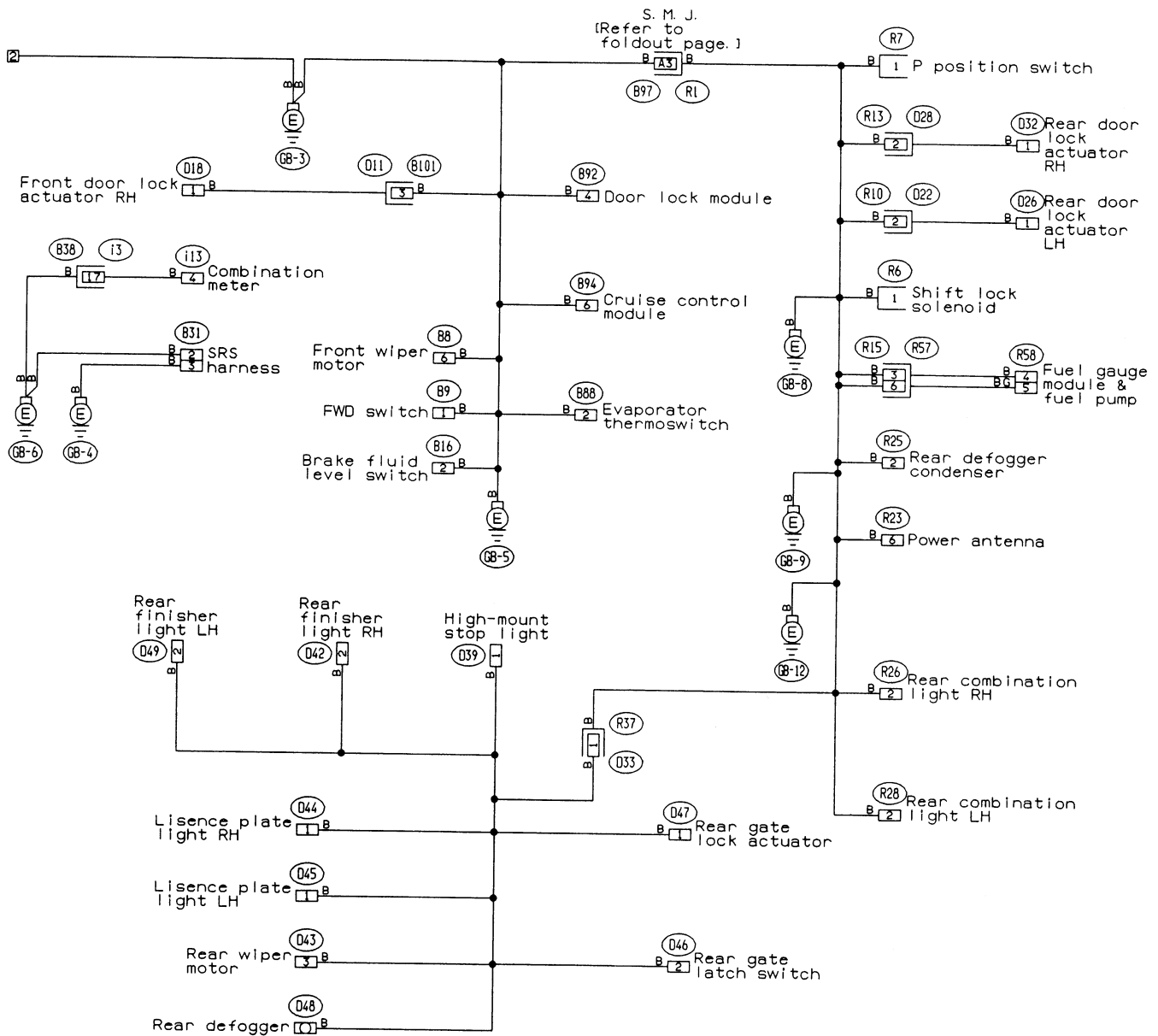




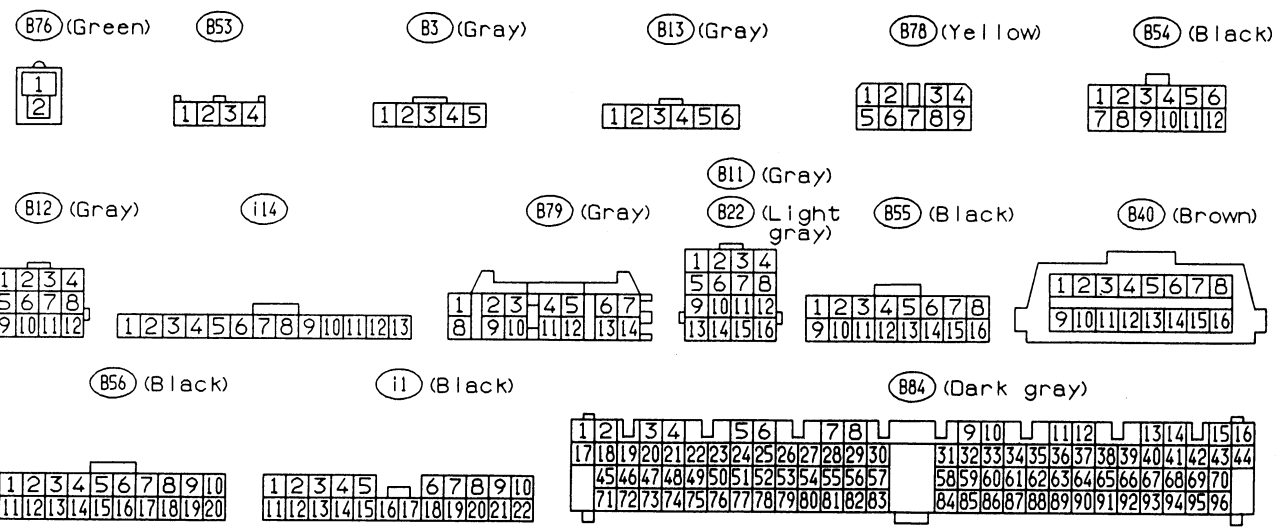
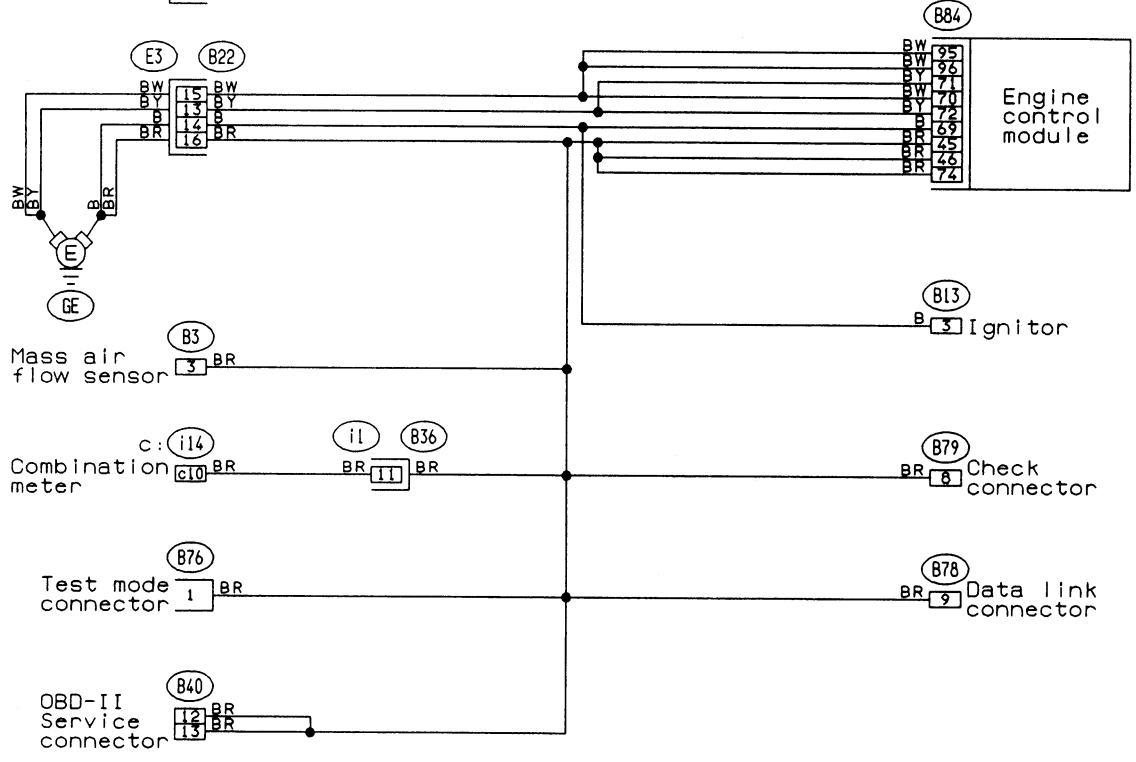
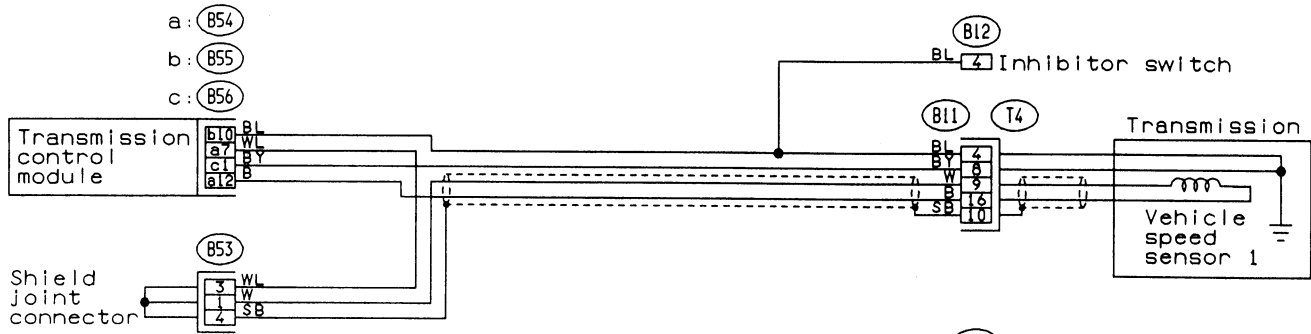
2. GROUND DISTRIBUTION

● RHD model



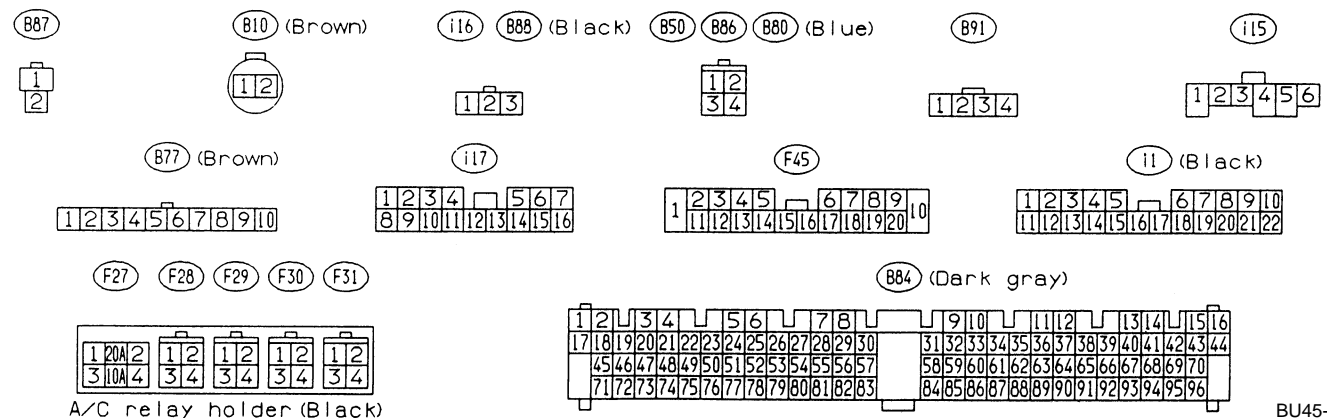
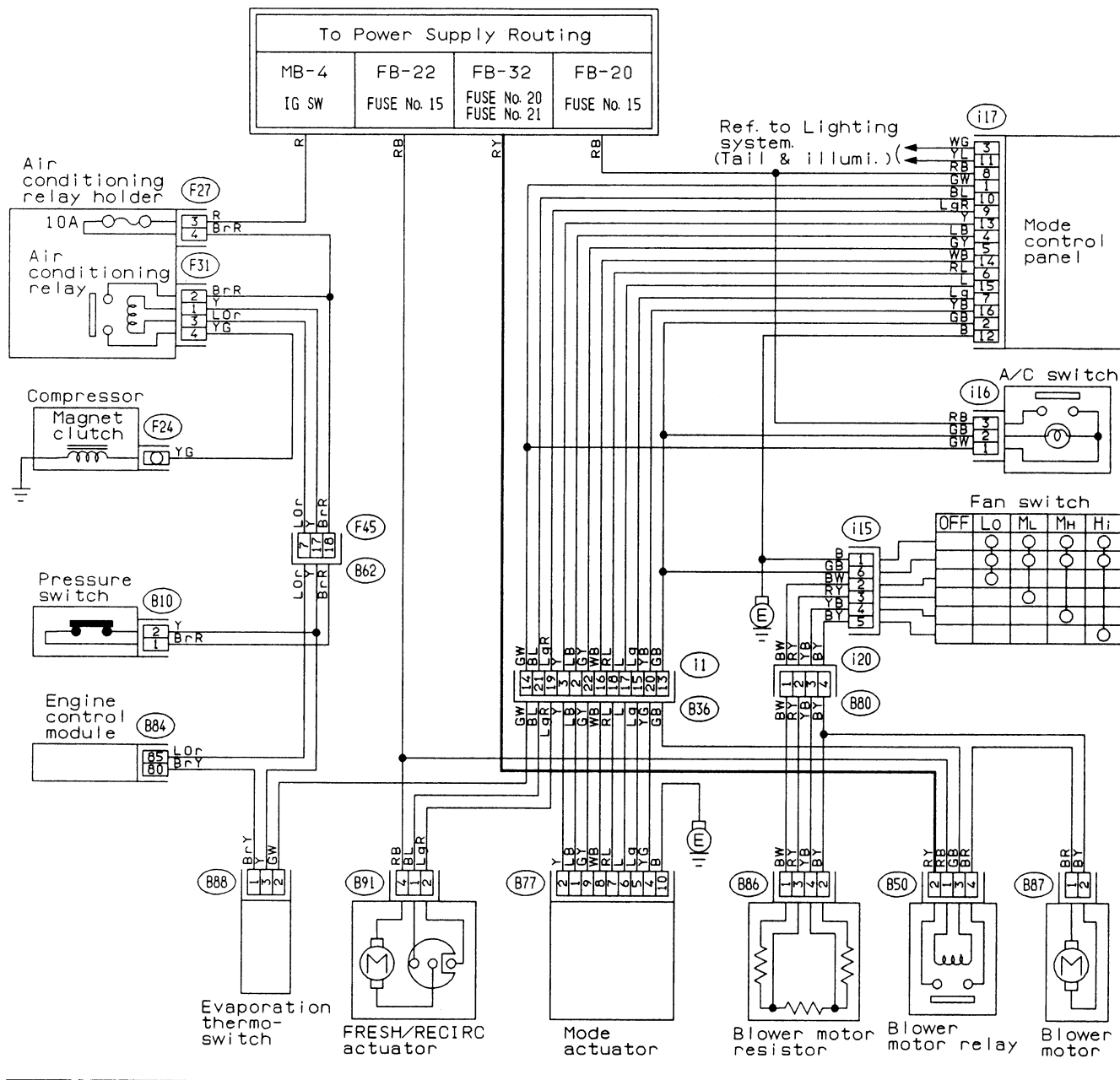


6. Wiring Diagram



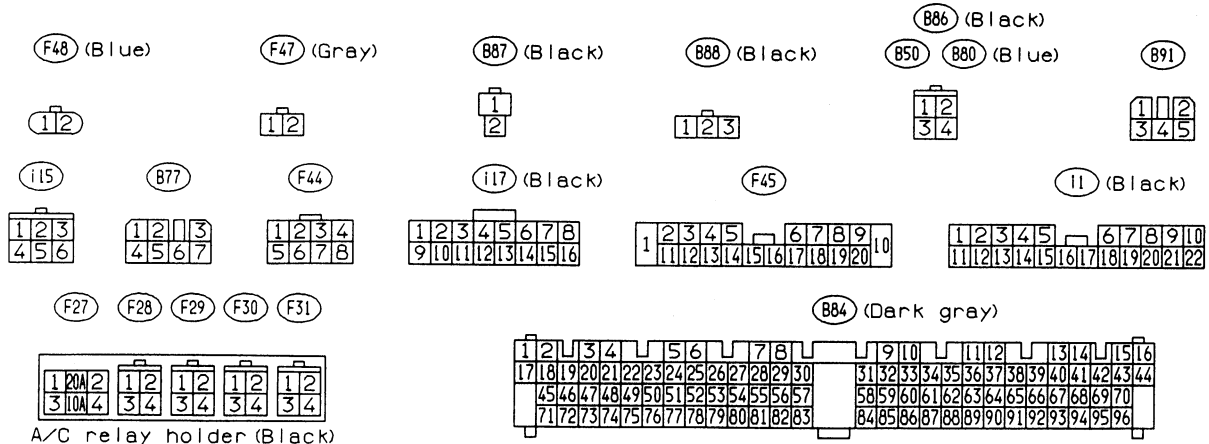
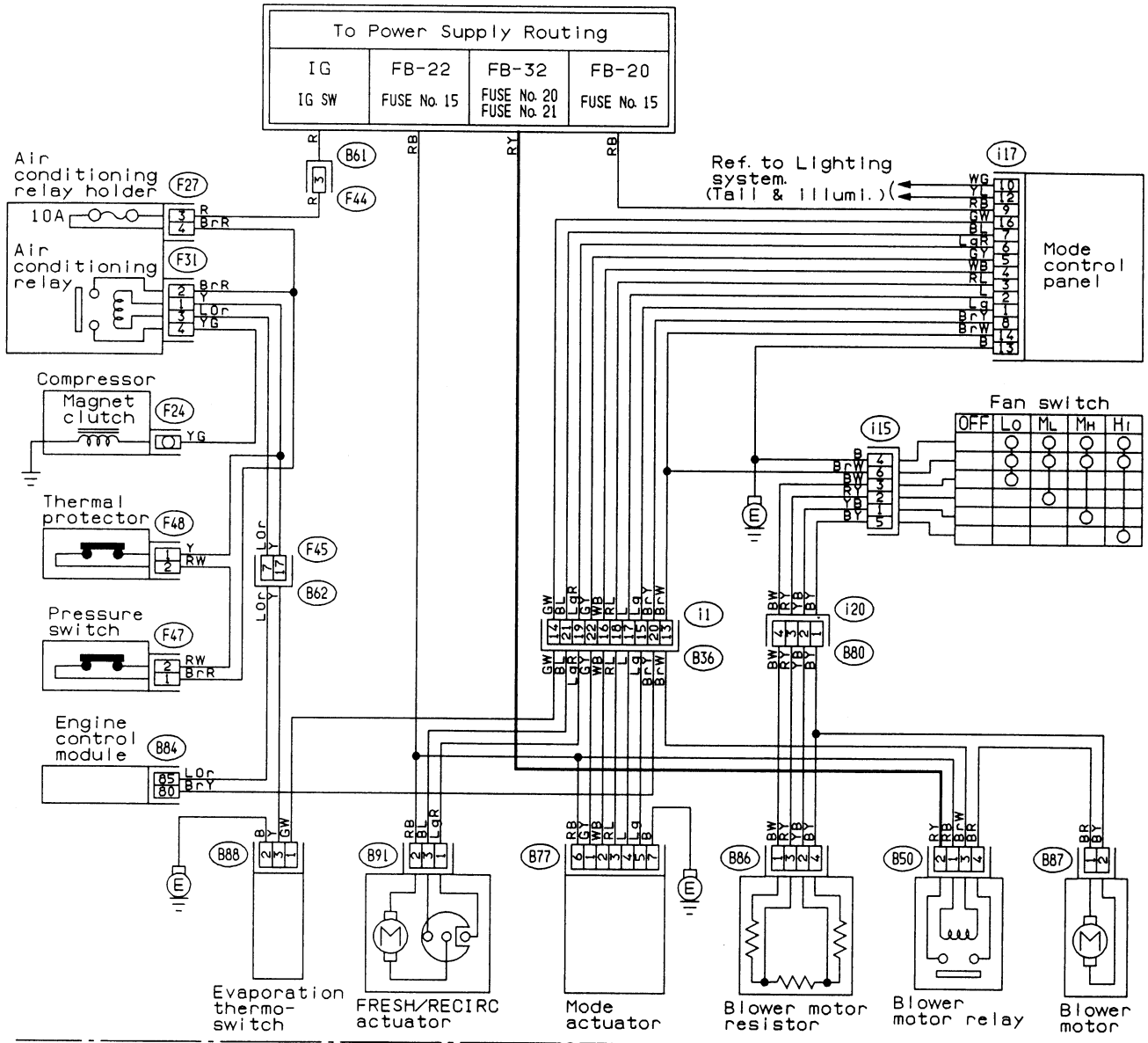
3. AIR CONDITIONING SYSTEM

● LHD model

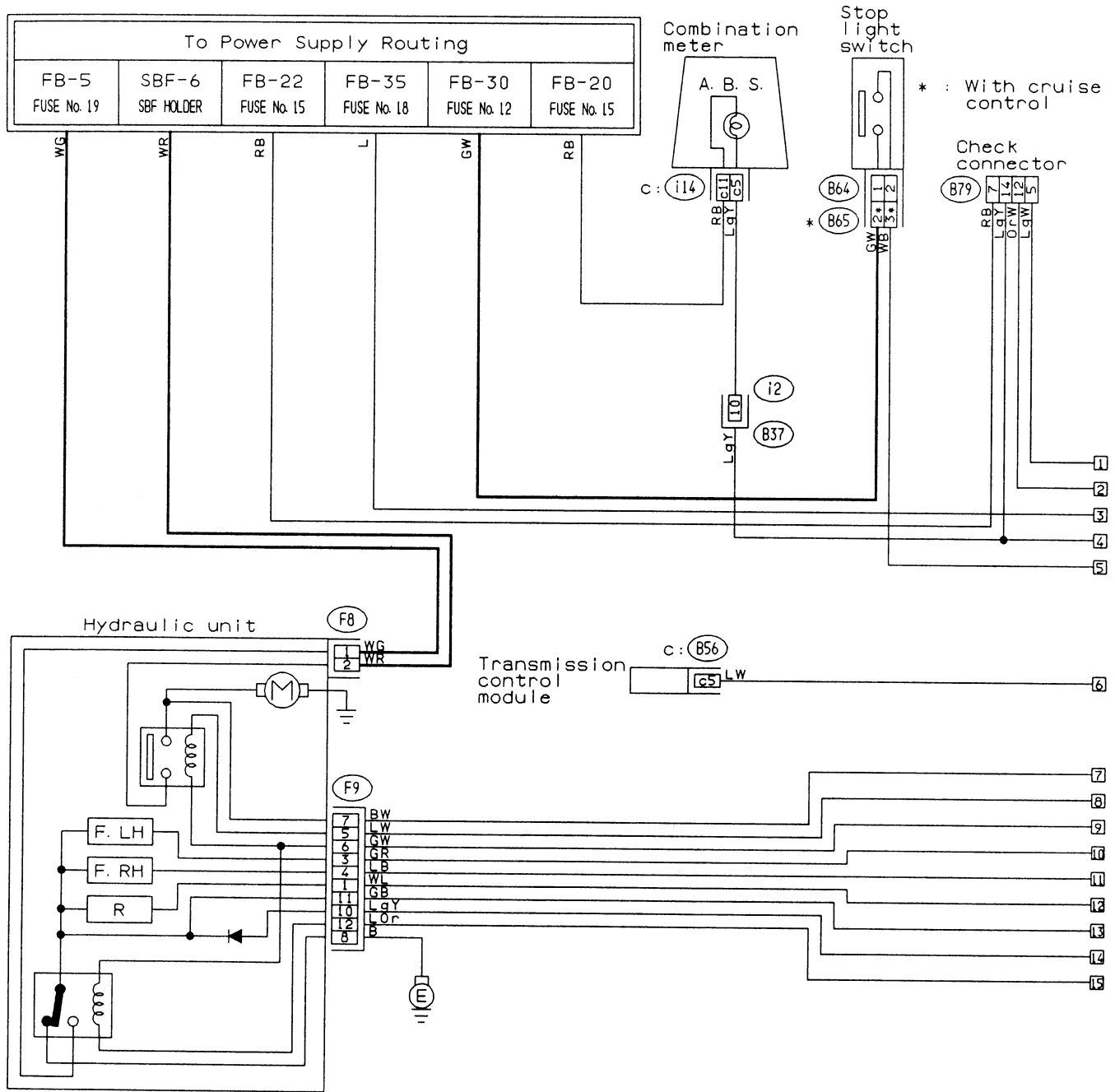


3. AIR CONDITIONING SYSTEM

● RHD model



4. ANTI-LOCK BRAKE SYSTEM

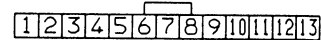
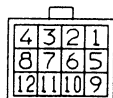


(Black) (B64) (F8) (Gray)

(B65) (Black)

(F9) (Black)

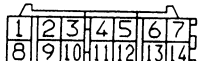
(i14)



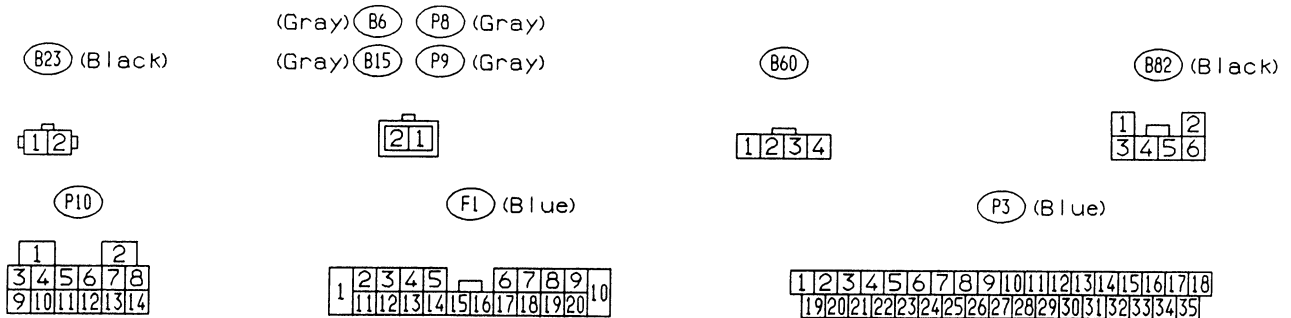
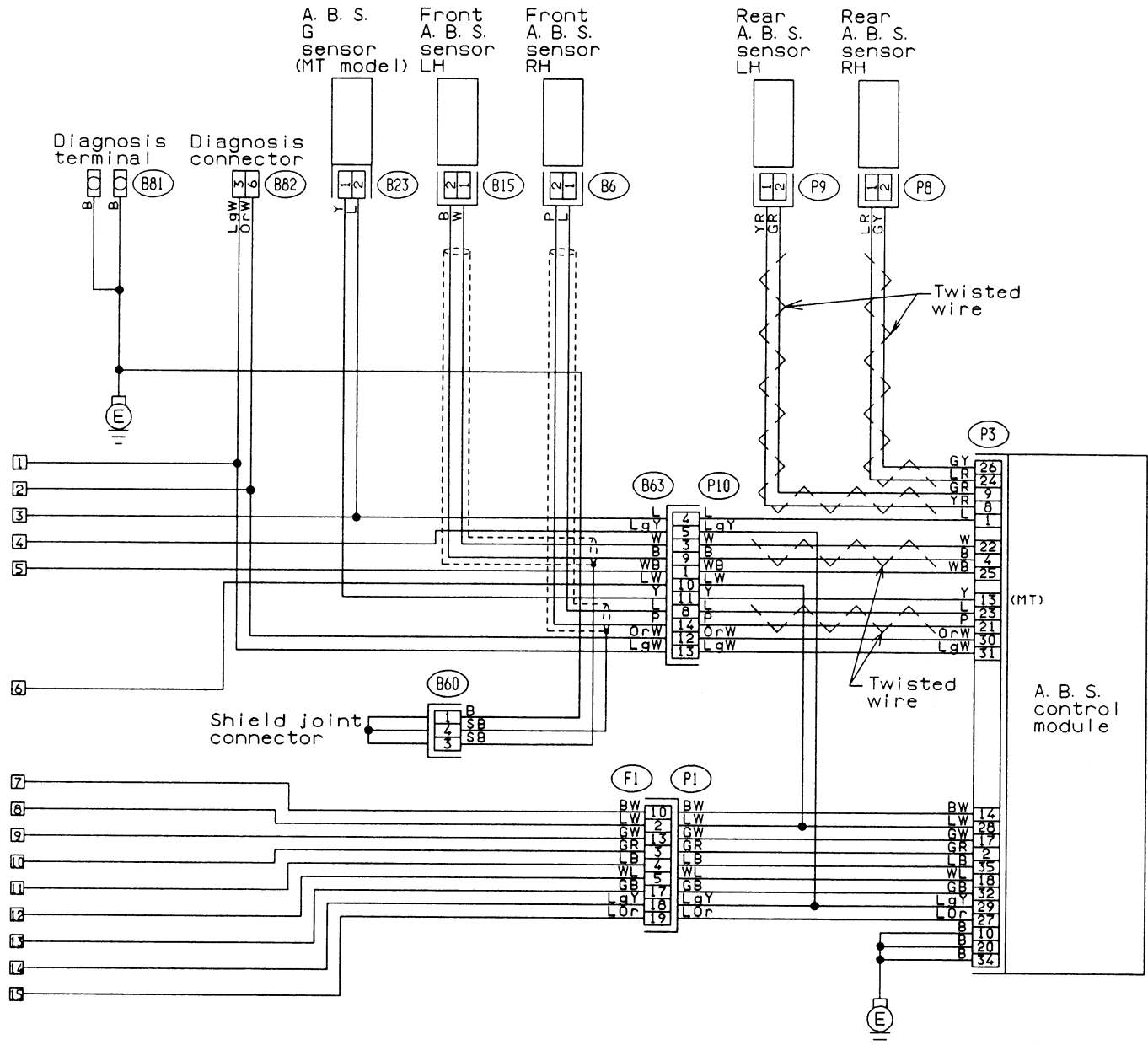
(B79) (Gray)

(B56) (Black)

(i2)

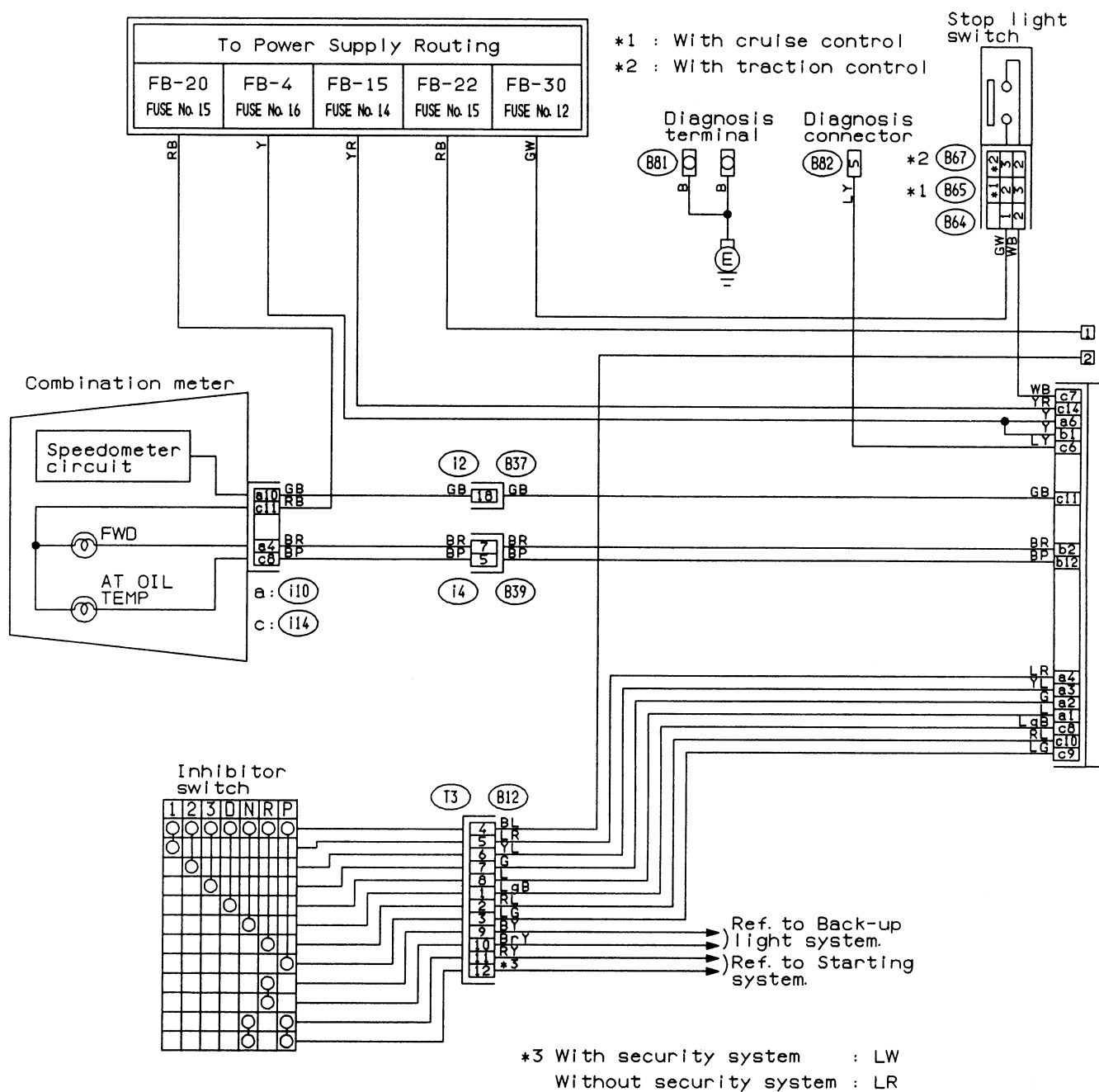


6. Wiring Diagram

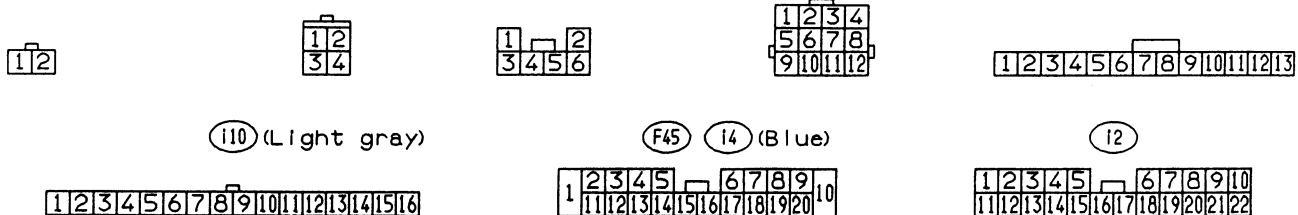


5. AT CONTROL SYSTEM

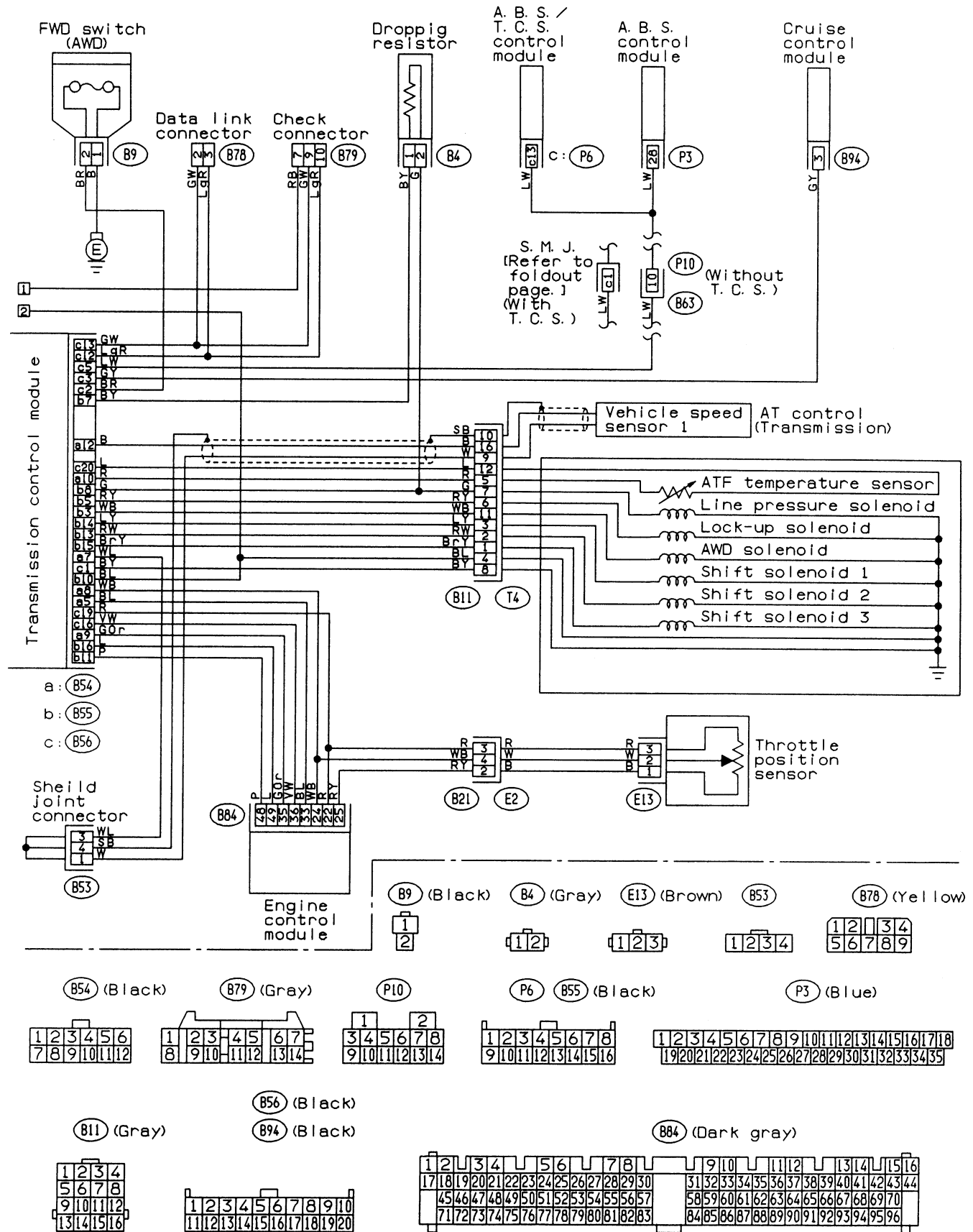
● LHD model



(B64) (Black) (Black) (B65) (B67) (Black) (B82) (Black) (Gray) (B12) (B21) (Light gray) (i14)

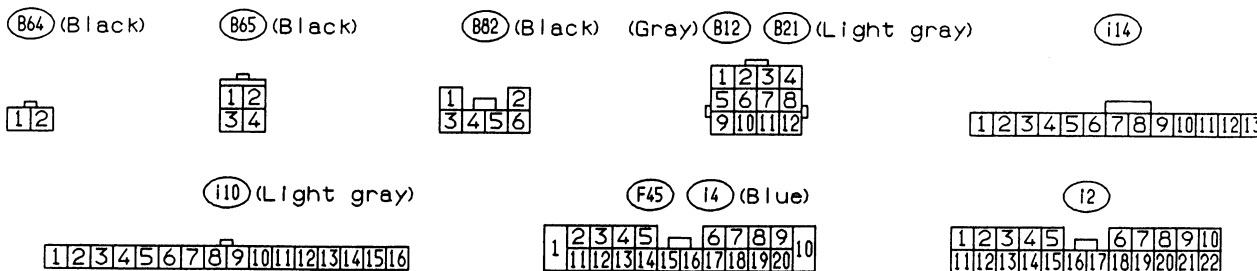
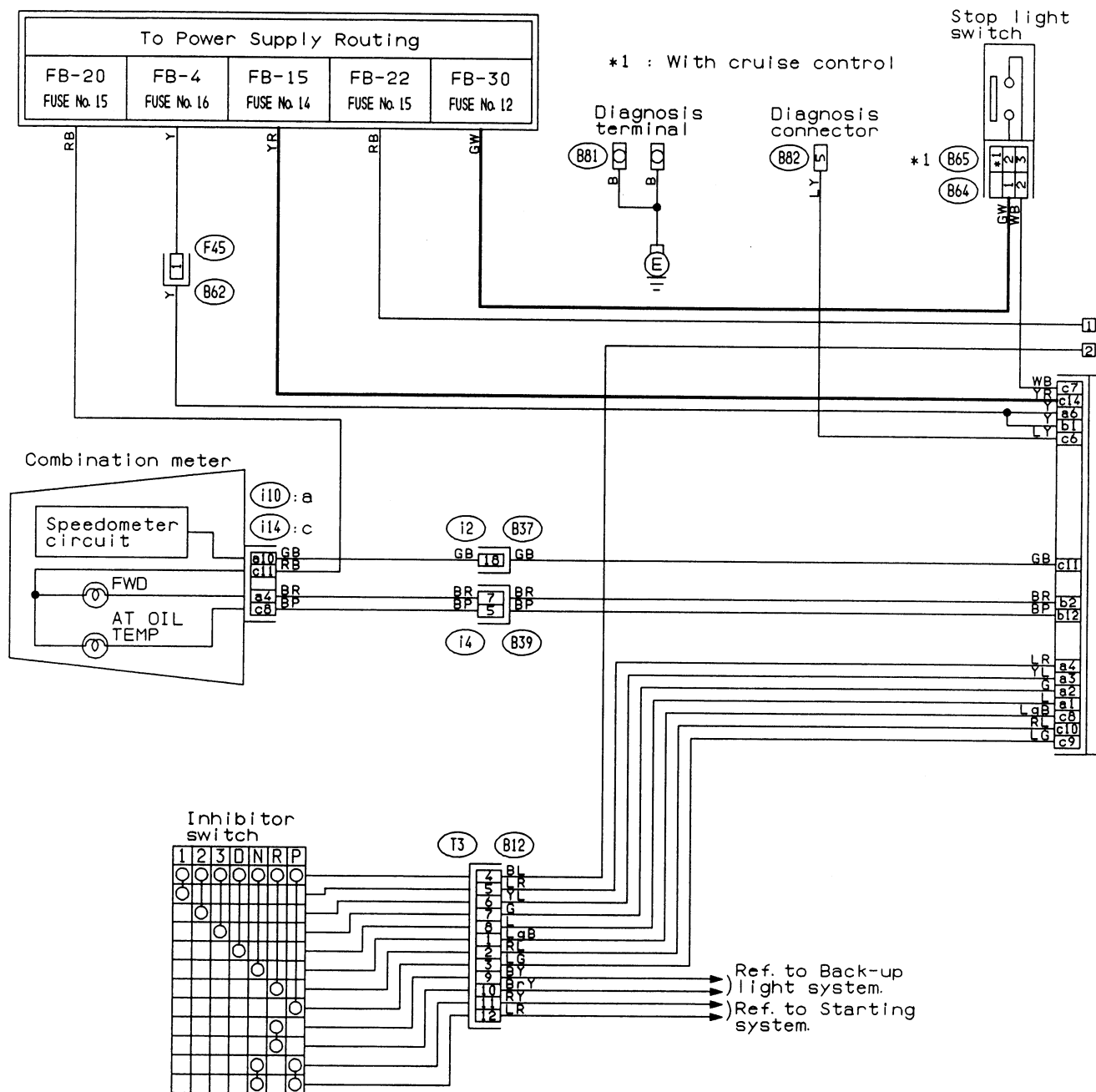


6. Wiring Diagram

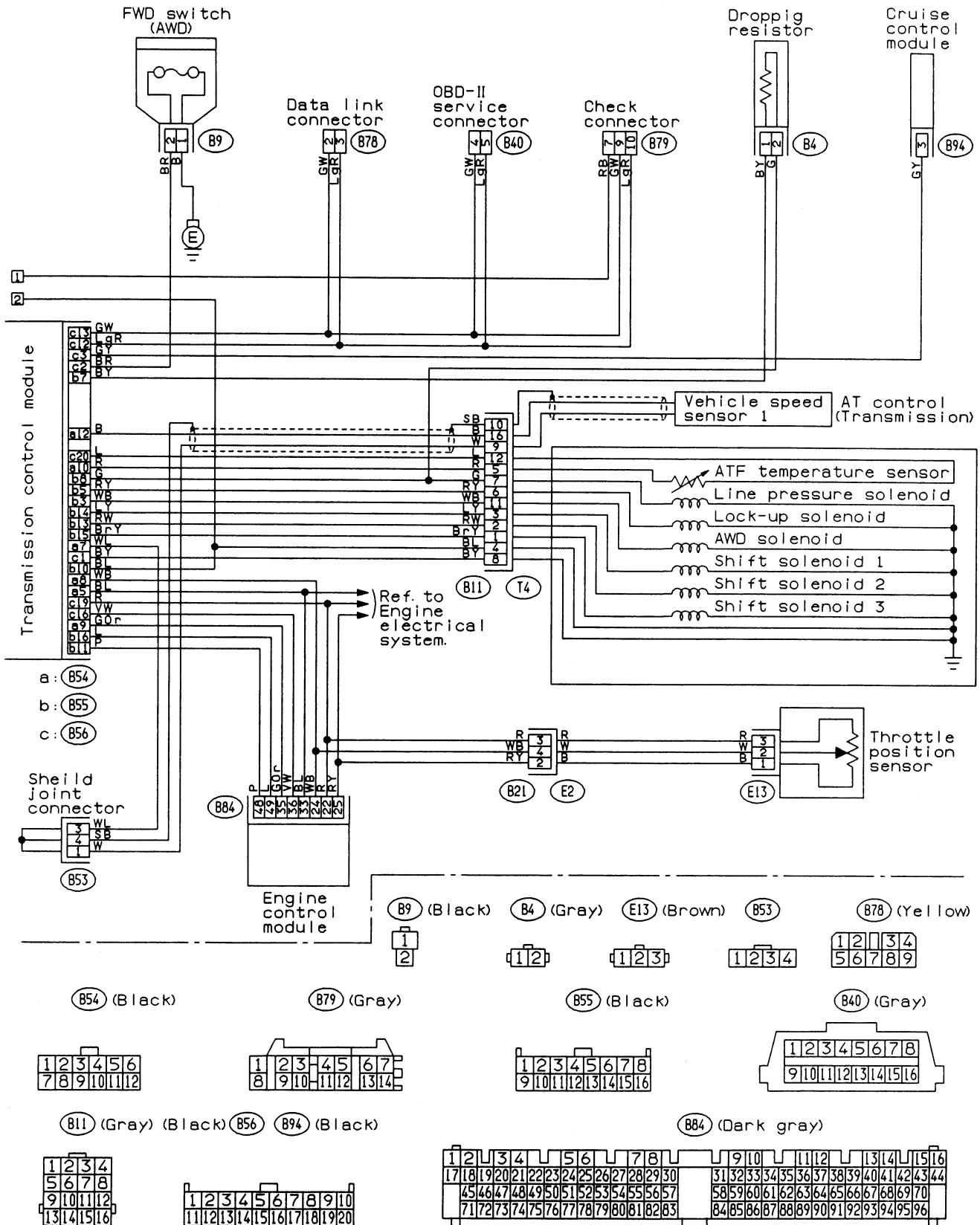


5. AT CONTROL SYSTEM

● RHD model

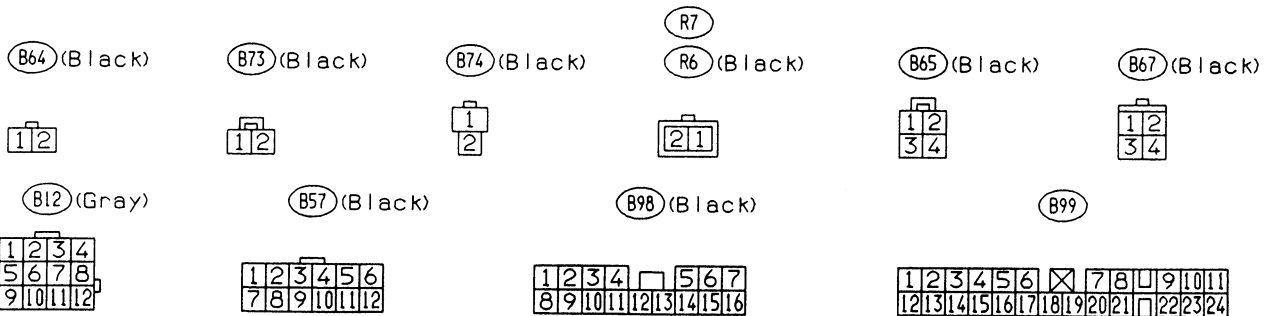
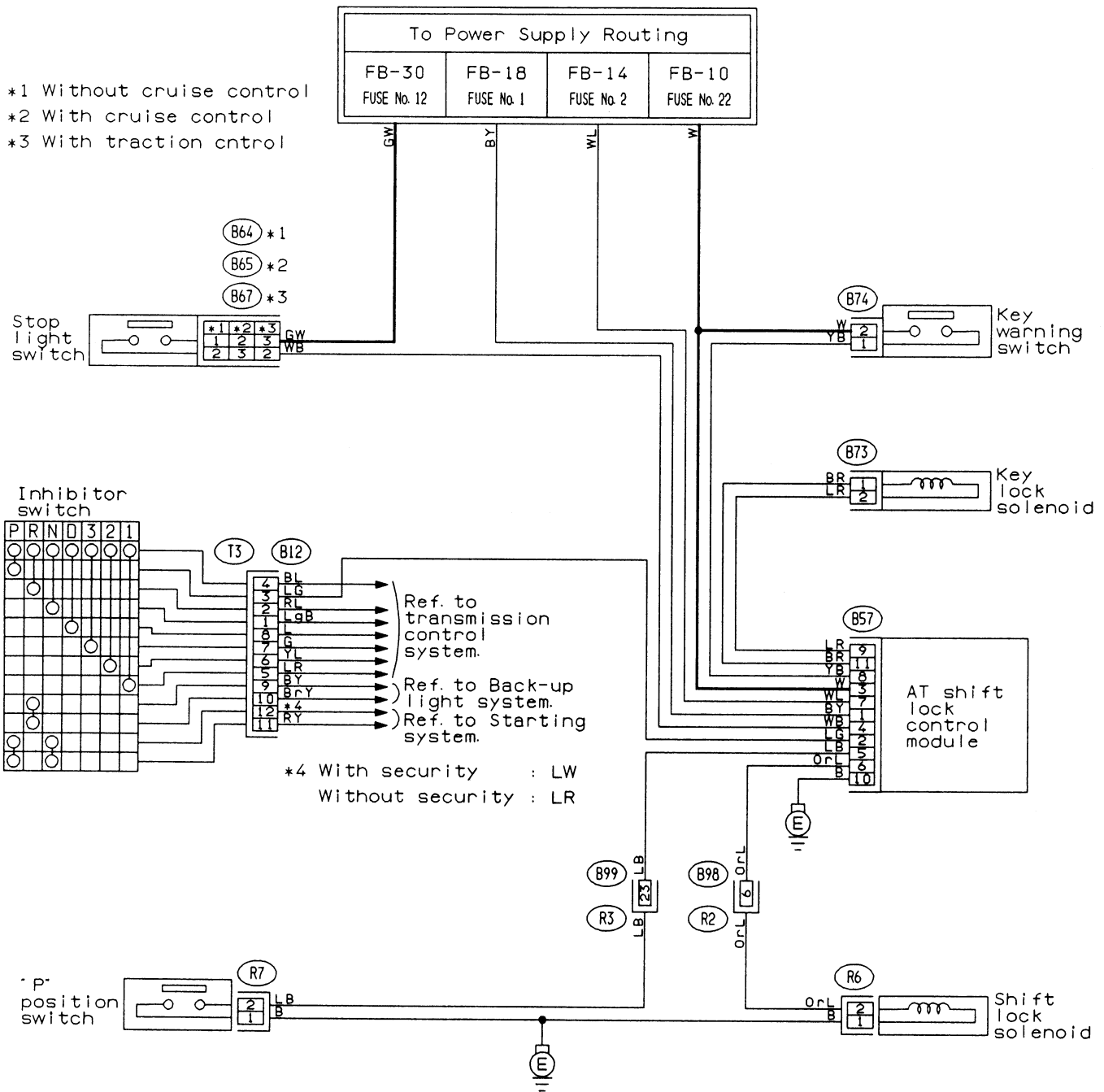


6. Wiring Diagram



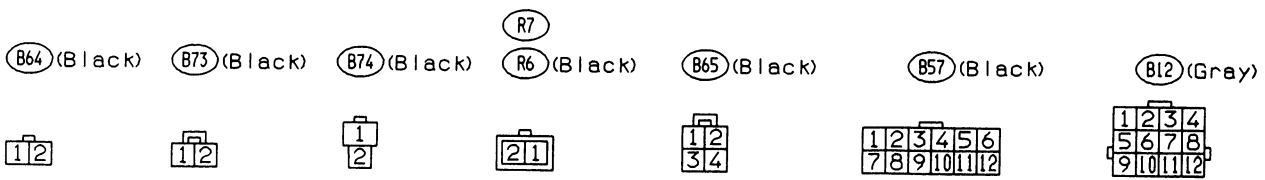
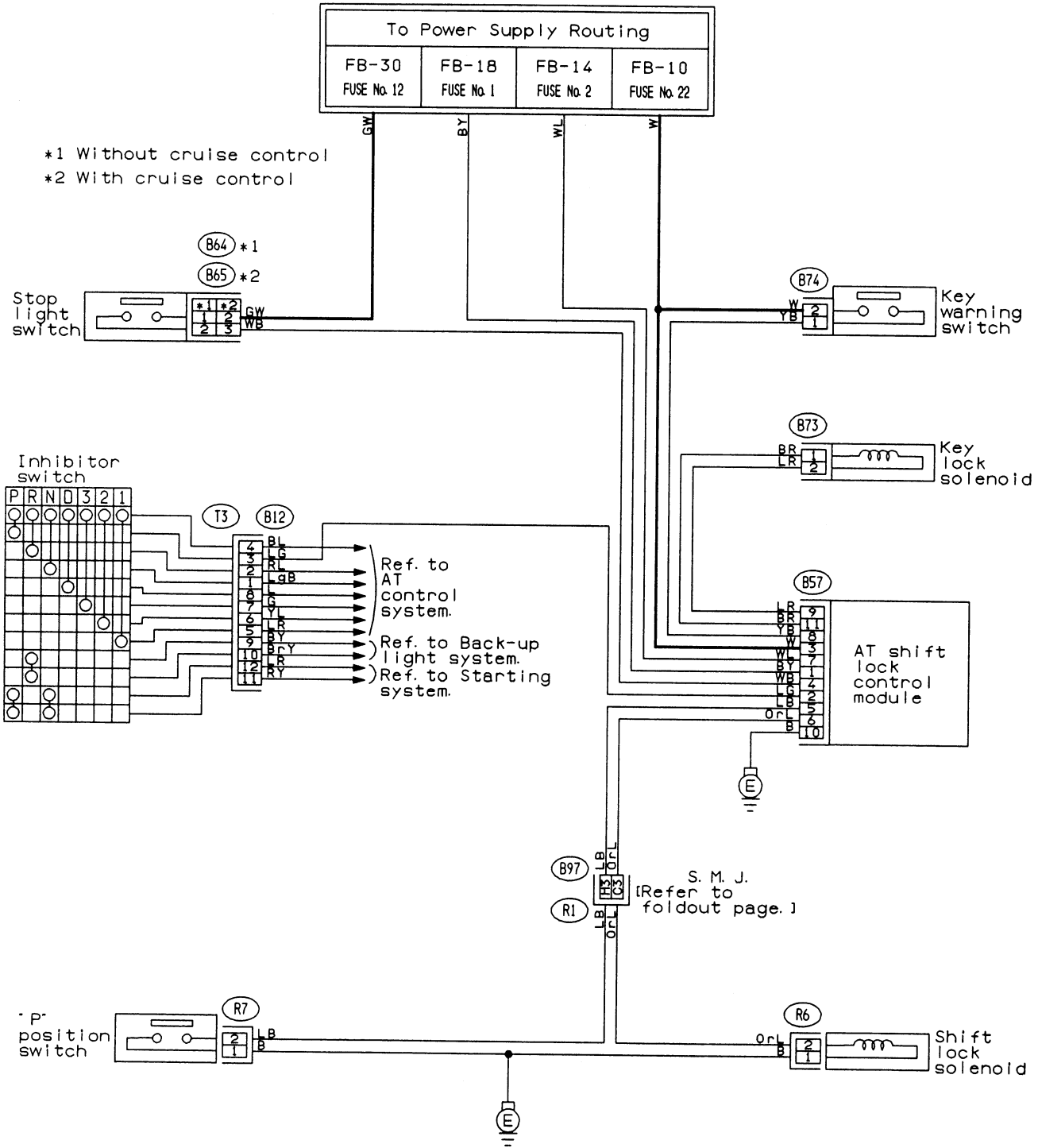
6. AT SHIFT LOCK SYSTEM

● LHD model



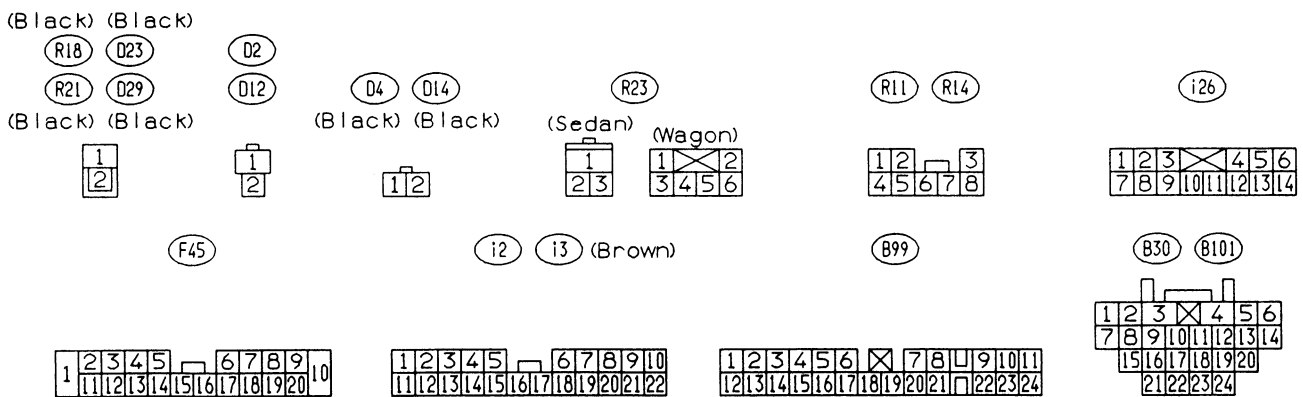
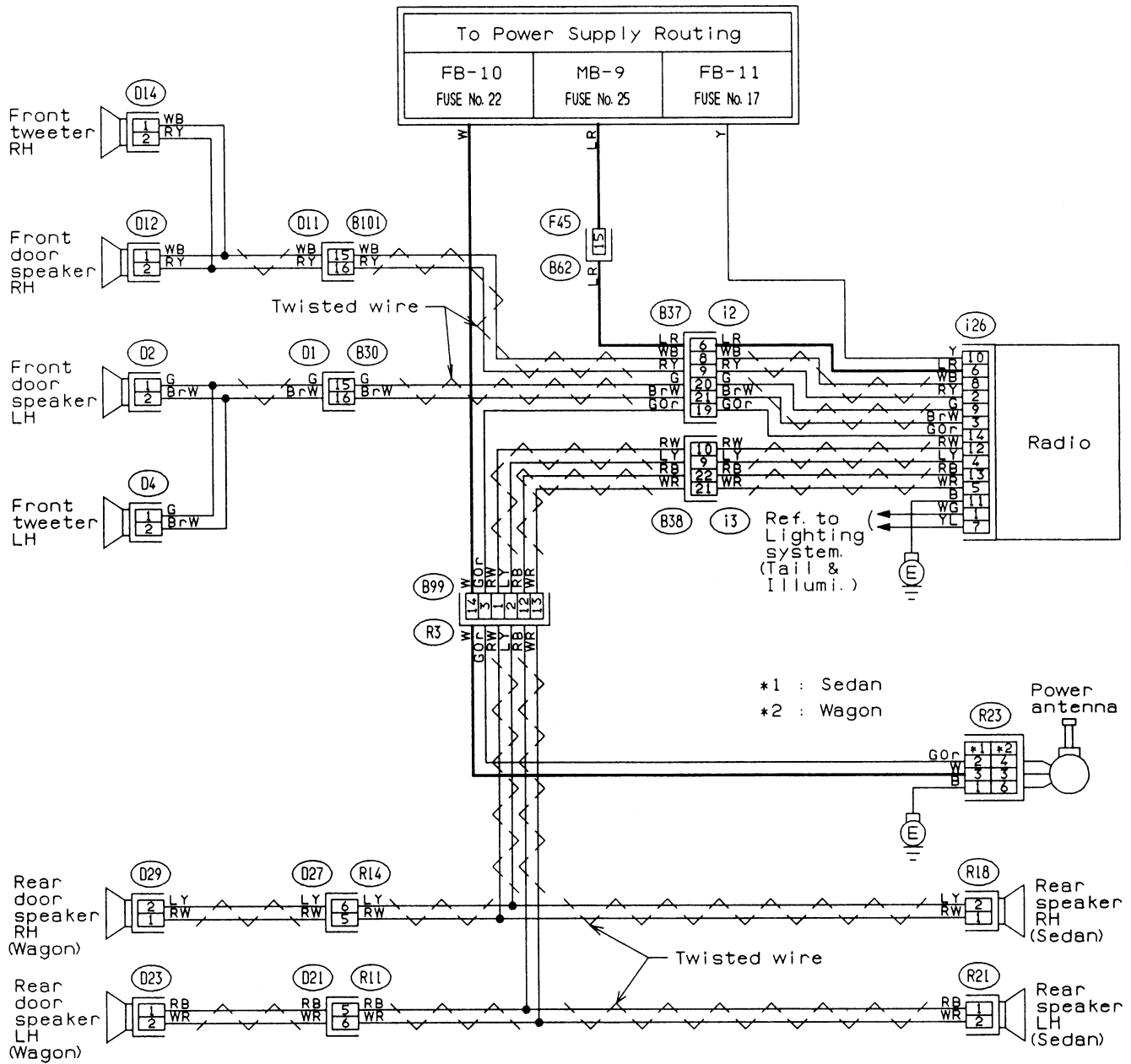
6. AT SHIFT LOCK SYSTEM

● RHD model



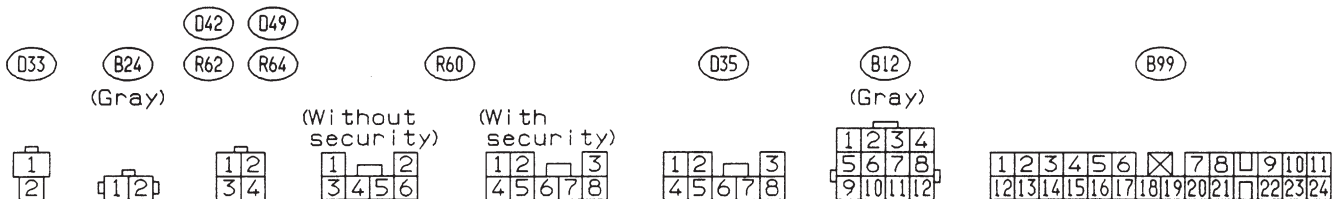
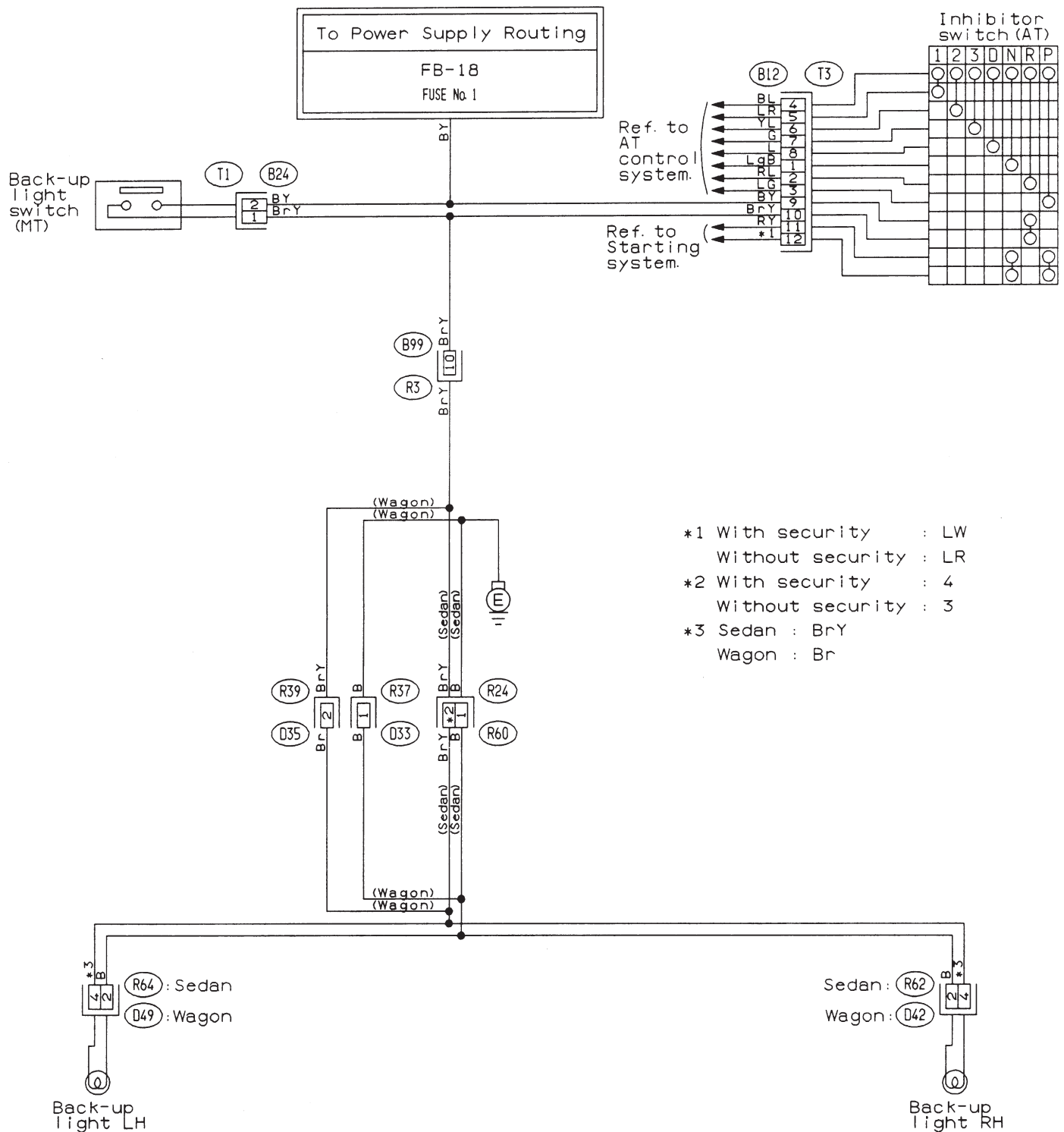
7. AUDIO SYSTEM

● LHD model



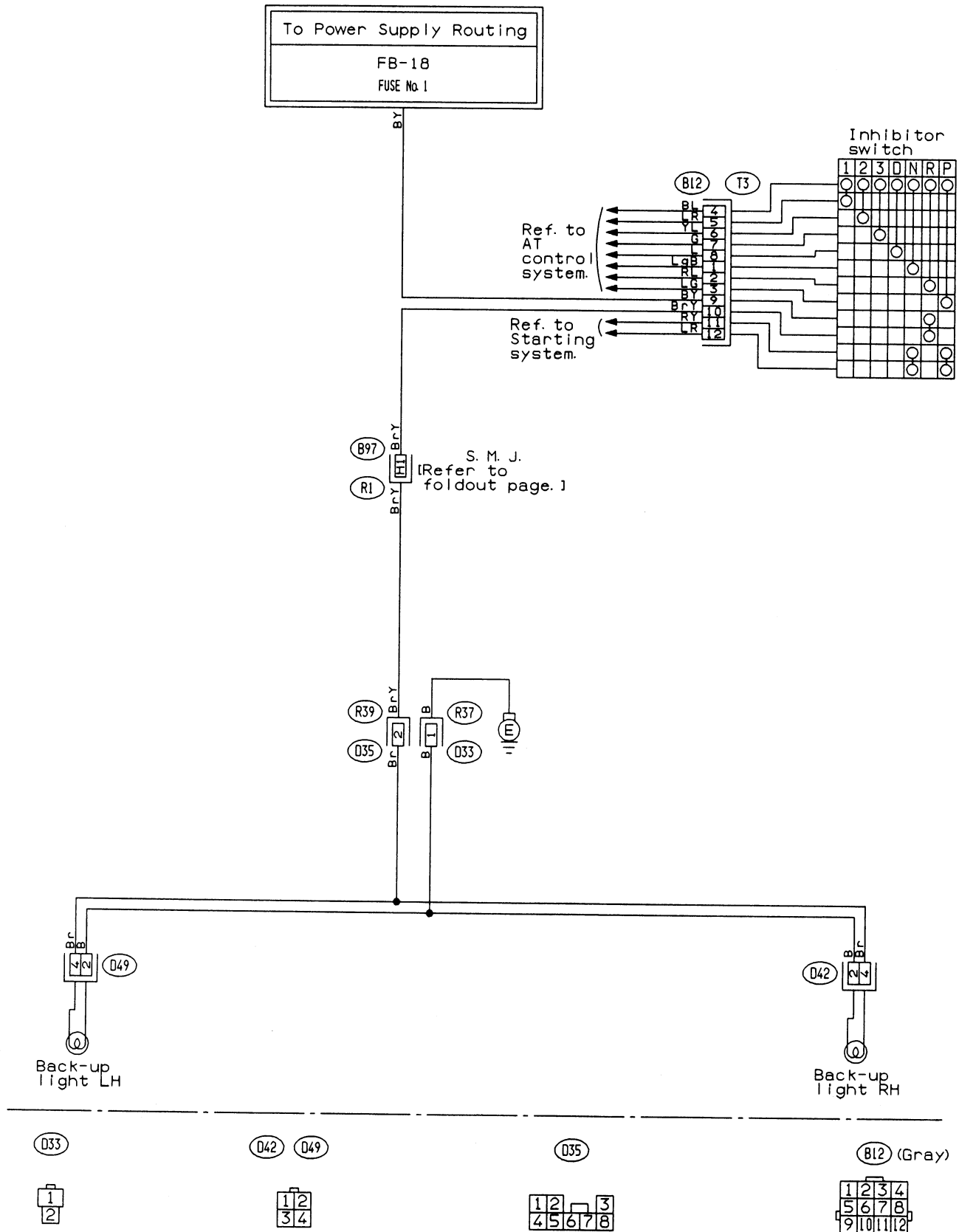
8. BACK-UP LIGHT SYSTEM

● LHD model

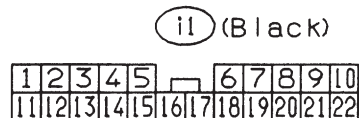
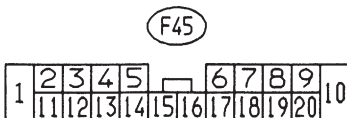
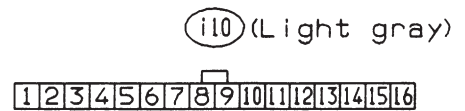
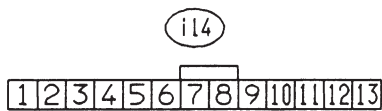
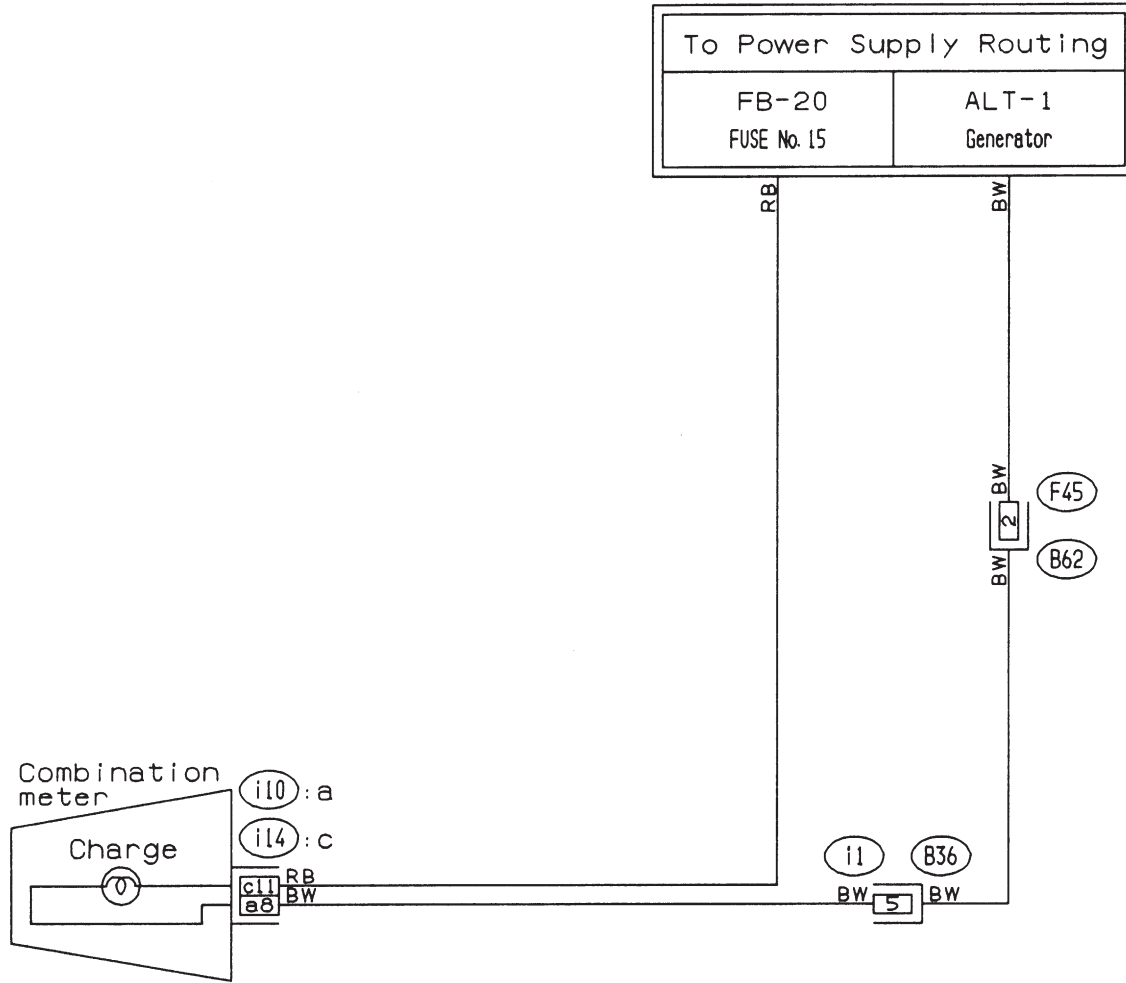


8. BACK-UP LIGHT SYSTEM

- RHD model

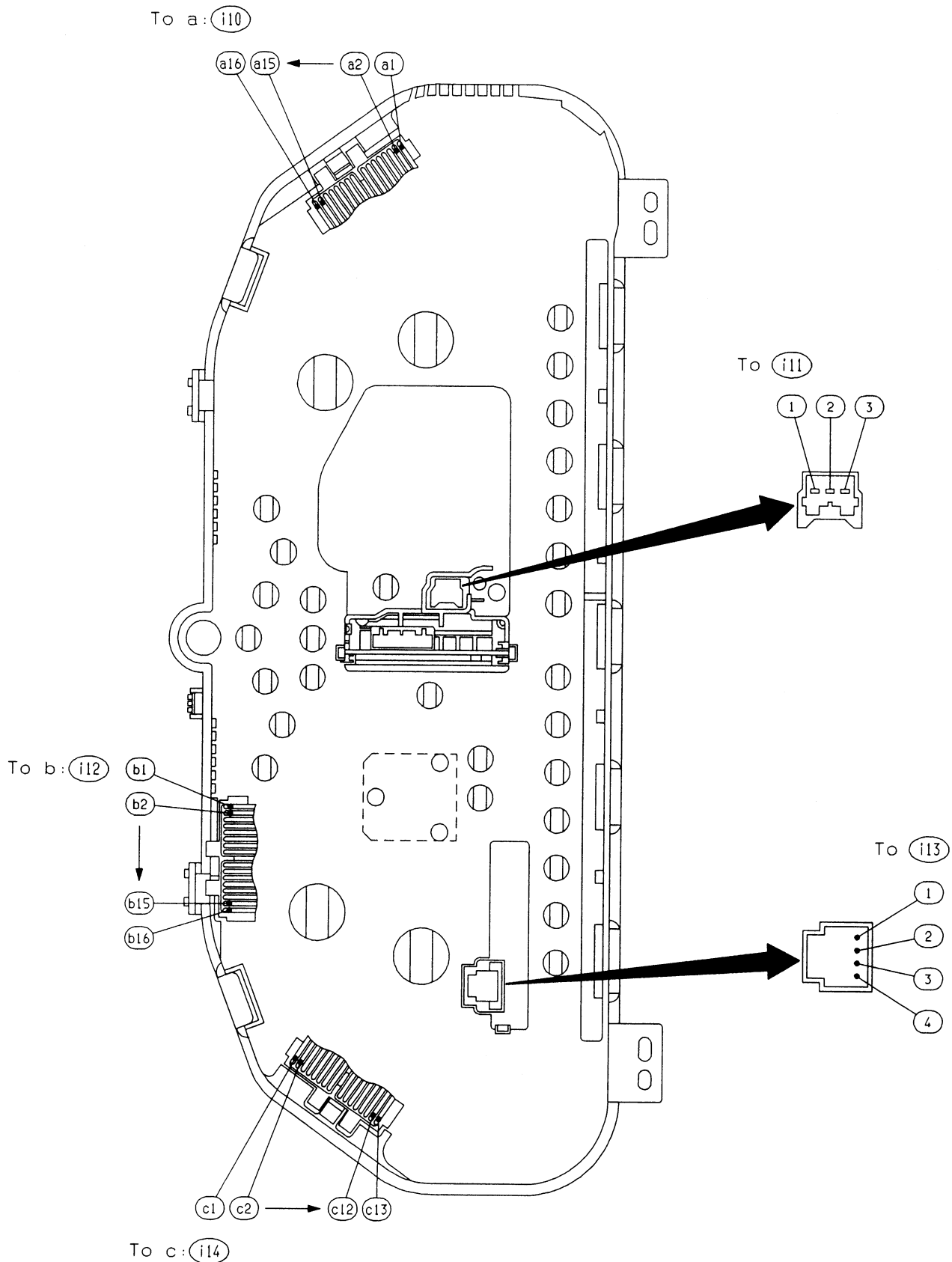


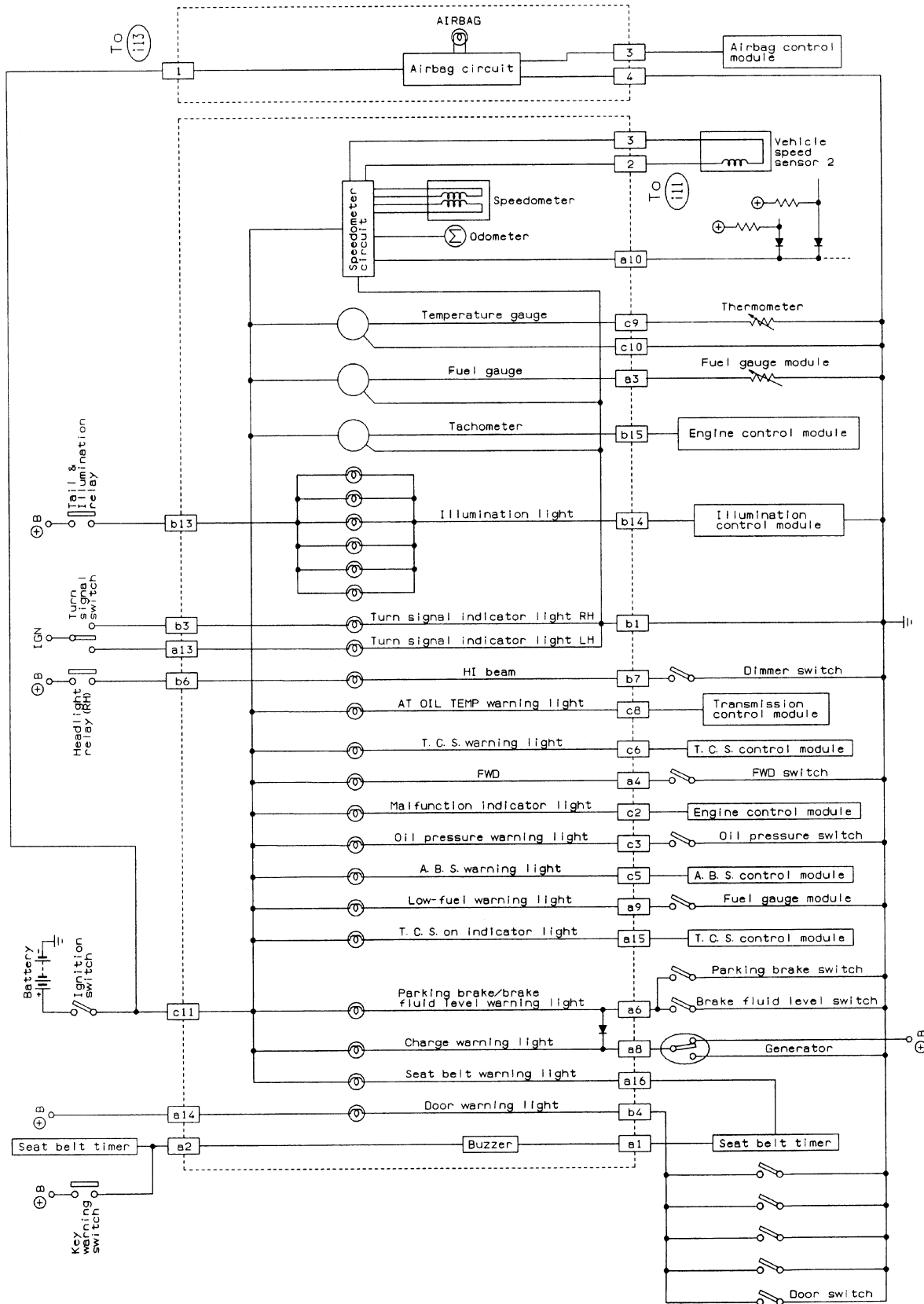
9. CHARGE WARNING SYSTEM



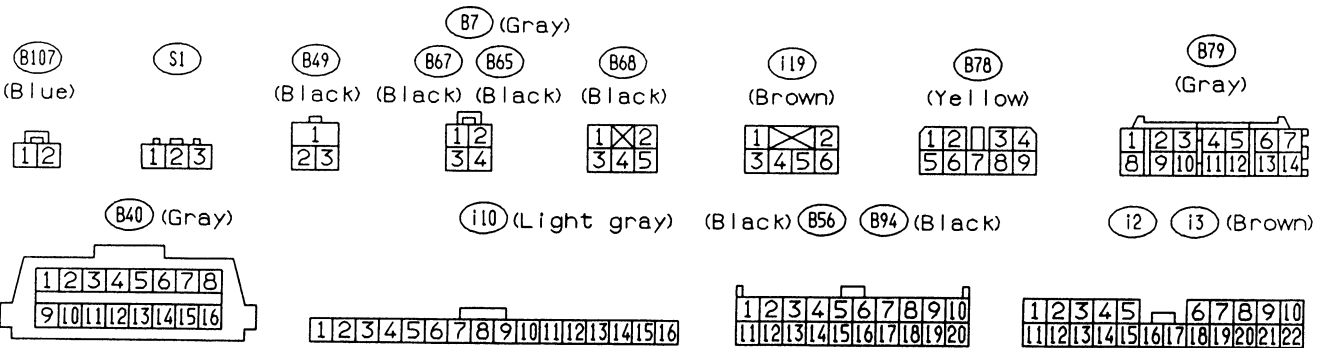
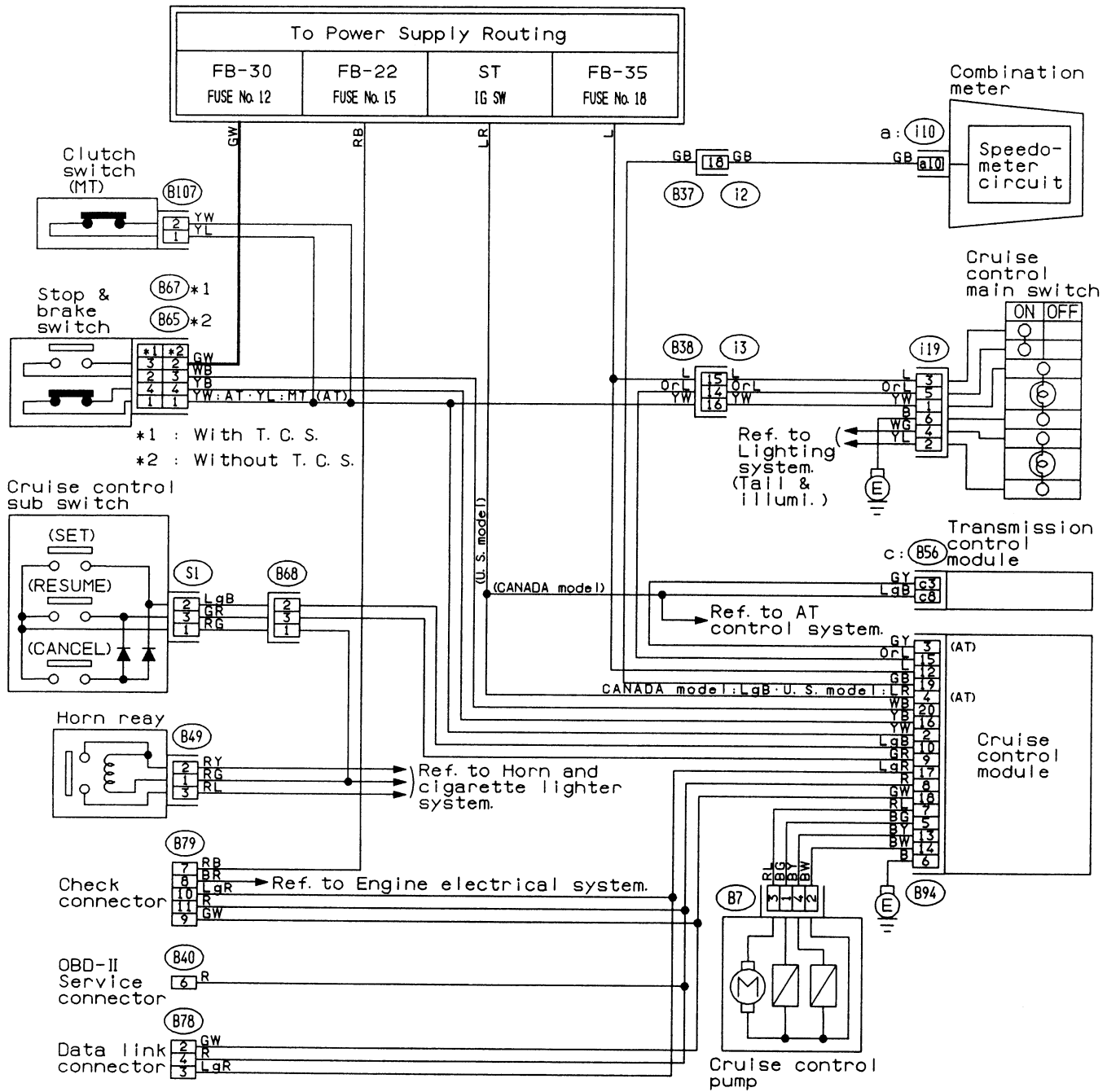
BU02-01

10. COMBINATION METER



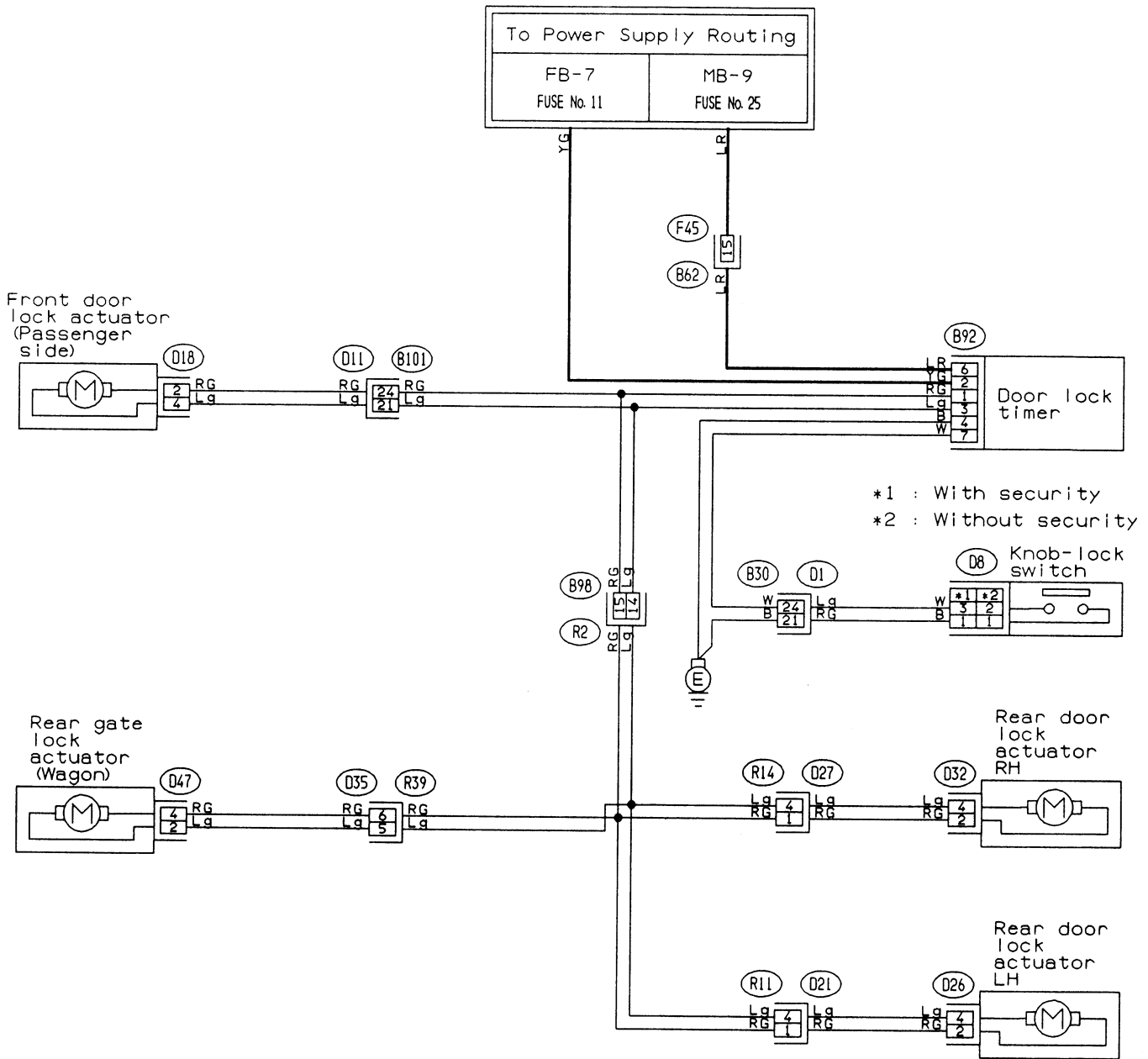


11. CRUISE CONTROL SYSTEM

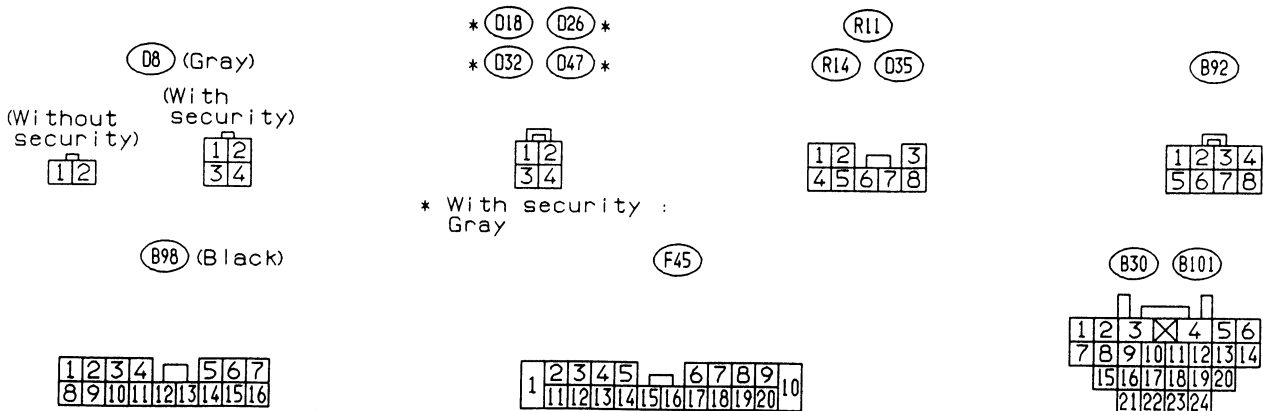


12. DOOR LOCK SYSTEM

● LHD model



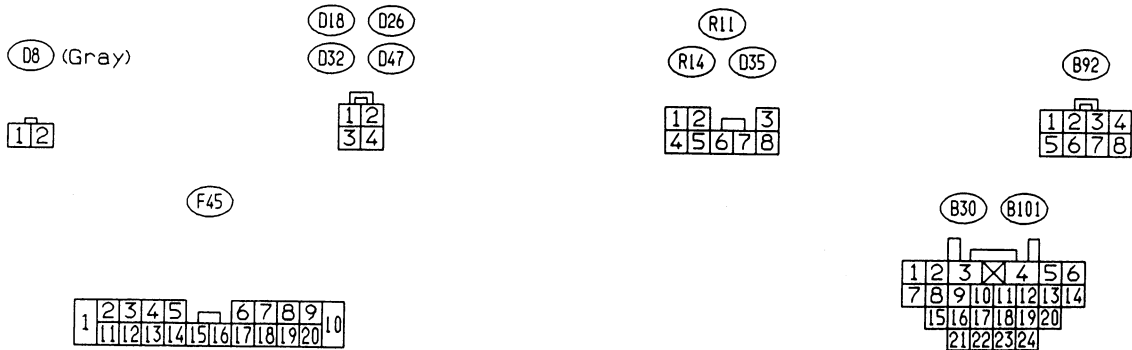
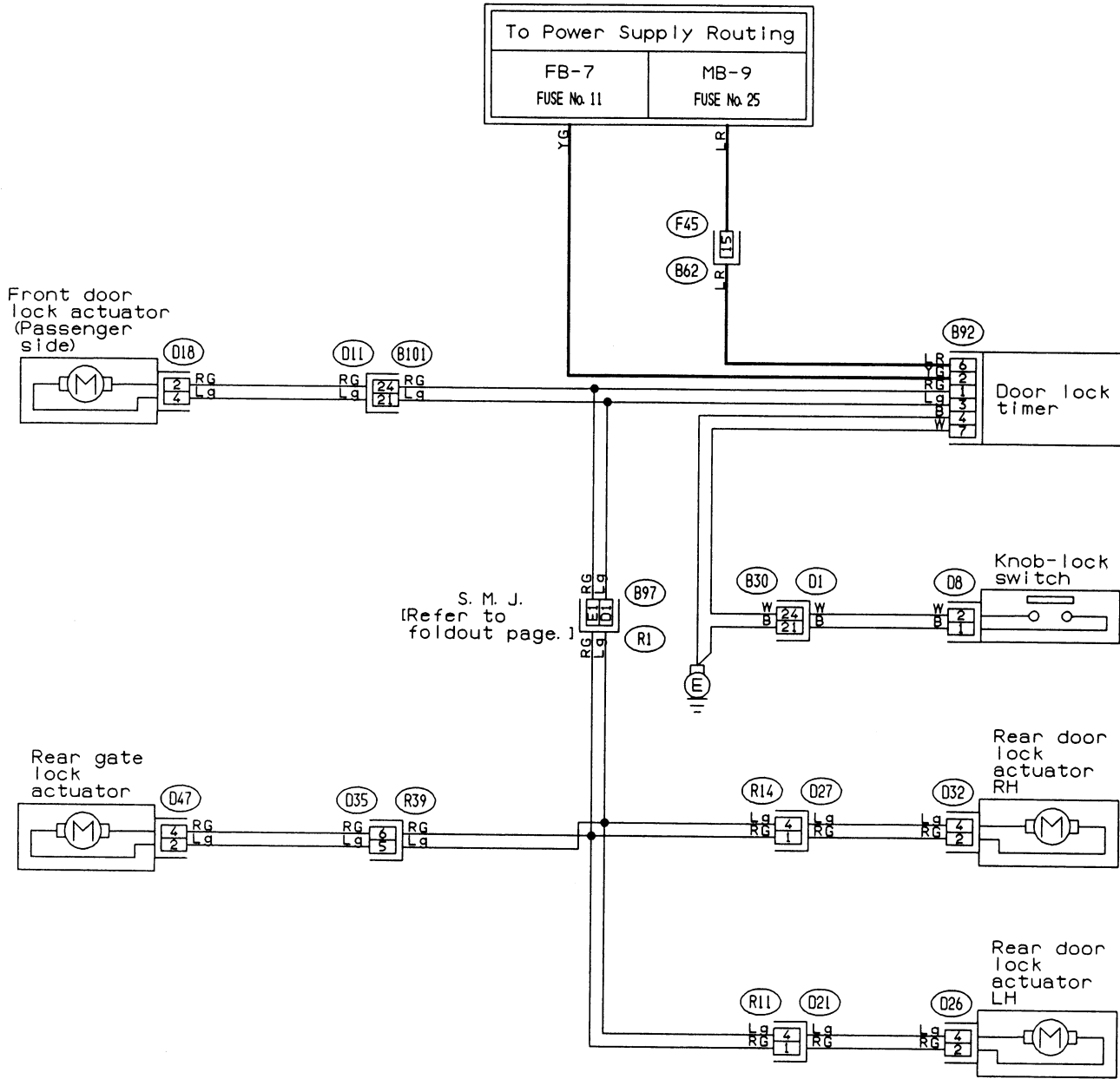
*1 : With security
*2 : Without security



* With security : Gray

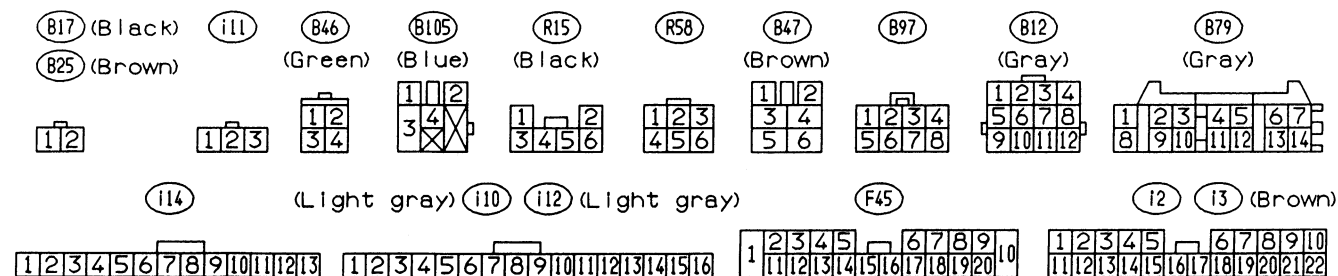
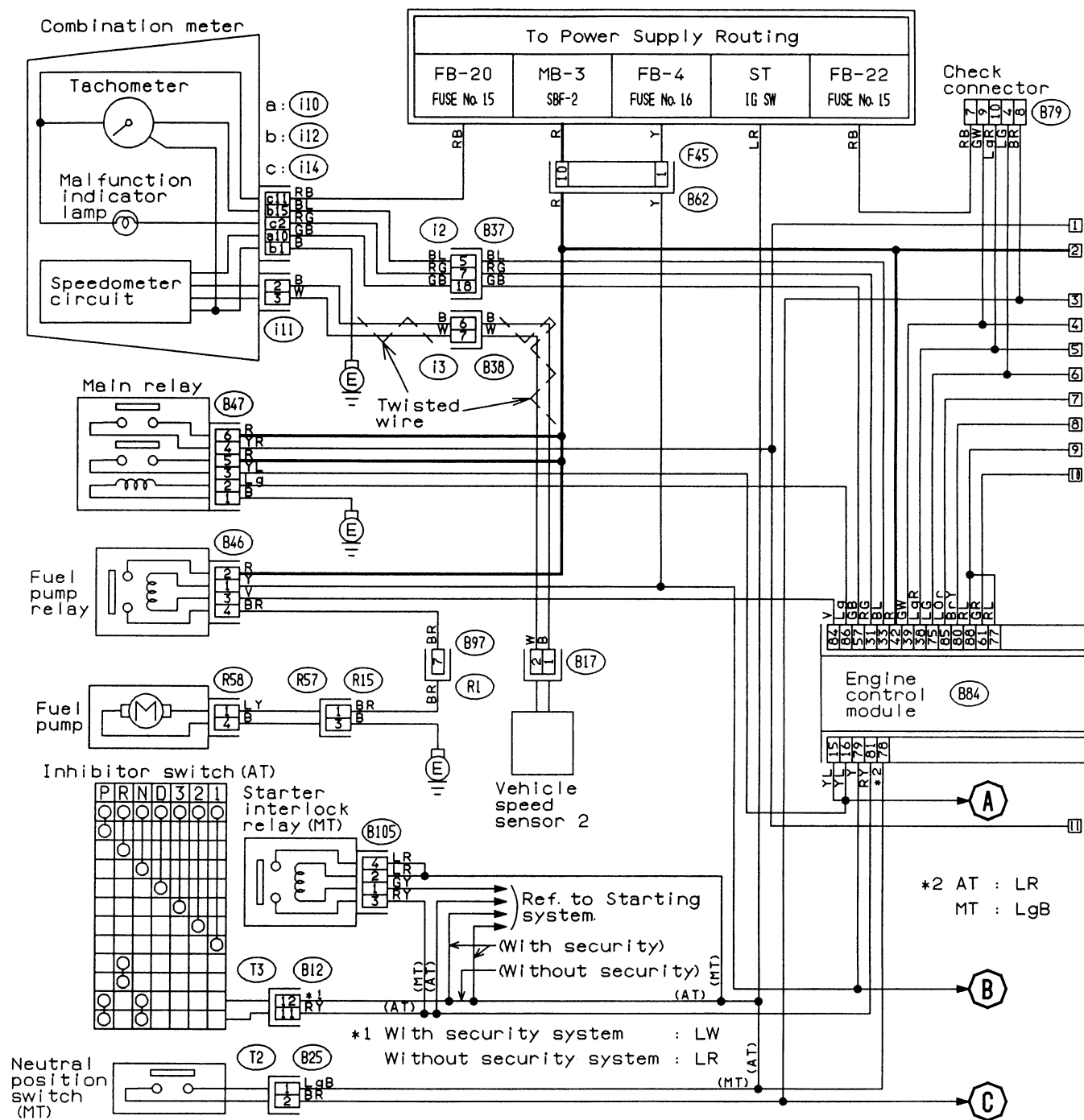
12. DOOR LOCK SYSTEM

● RHD model

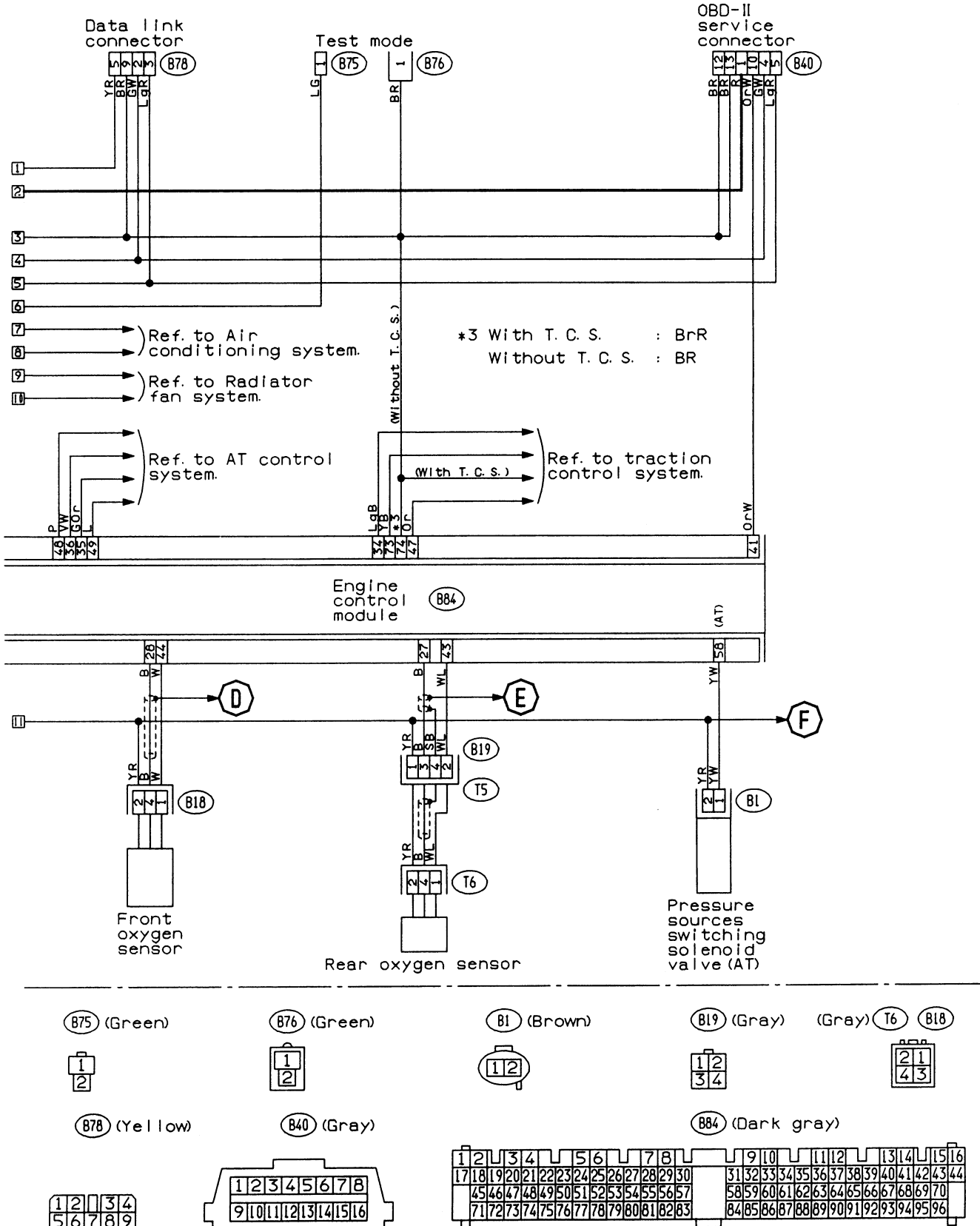


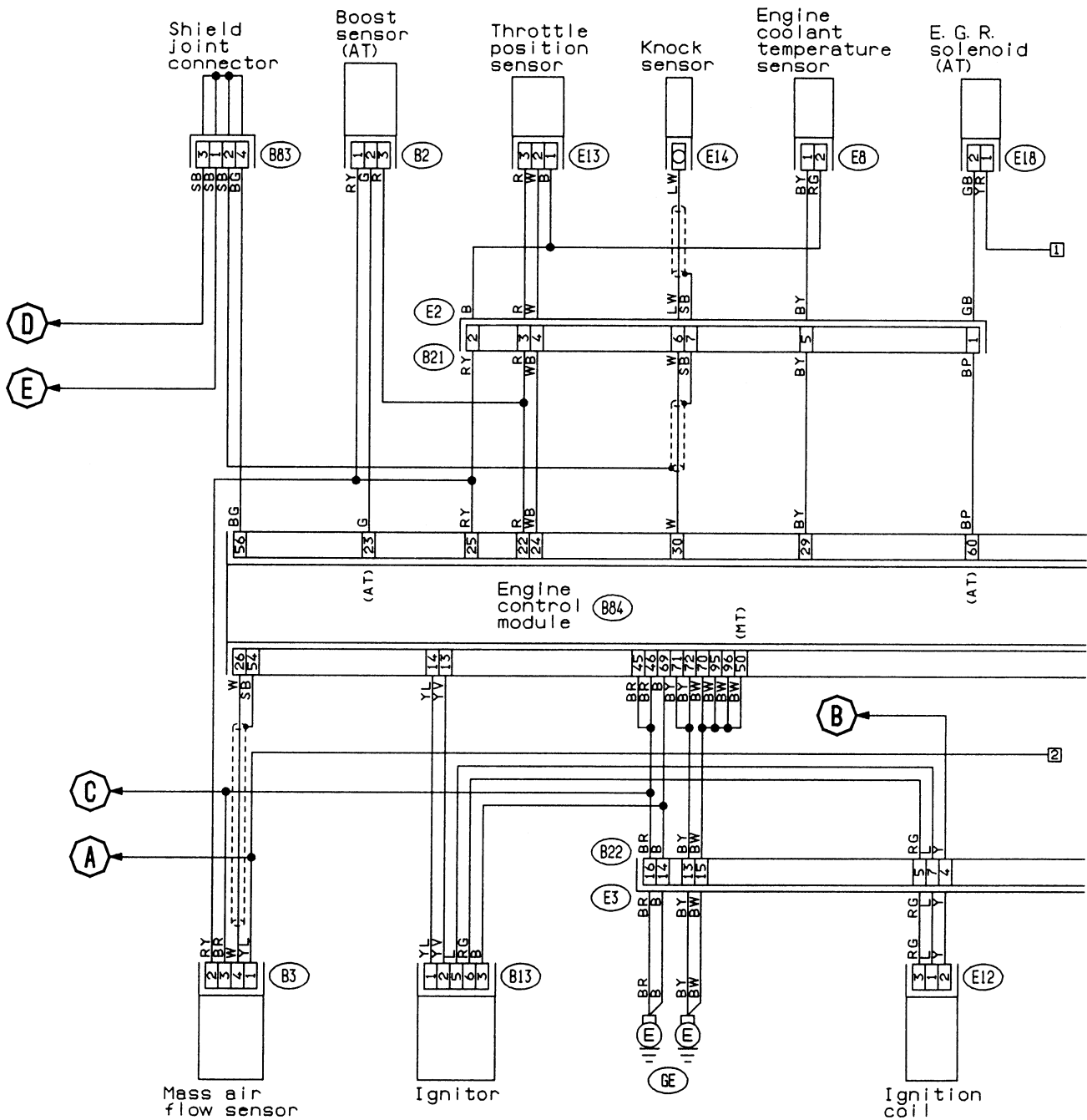
13. ENGINE ELECTRICAL SYSTEM

● LHD model



6. Wiring Diagram

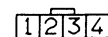




(Brown) (E18) (E8) (Brown) (Black) (B2) (E13) (Brown)

(E12) (Gray)

(B83)

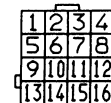
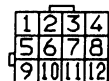
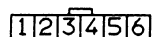
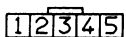


(B3) (Gray)

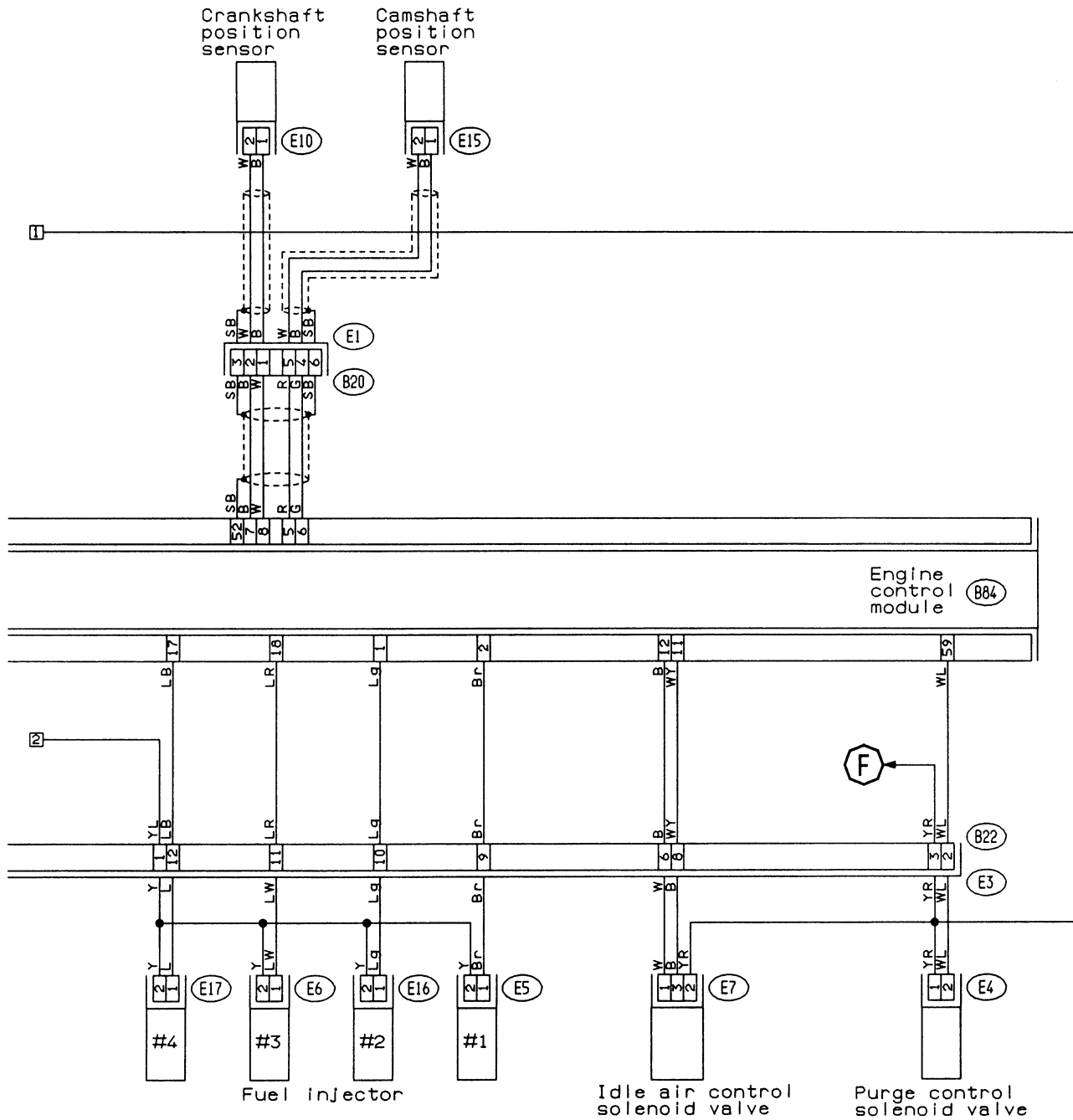
(B13) (Gray)

(B21) (Light gray)

(B22) (Light gray)



6. Wiring Diagram



(E15) (Dark gray) (Light gray) (E5) (E16) (Light gray)

(E10) (Gray) (Dark gray) (E6) (E17) (Dark gray)



(B84) (Dark gray)

(E4) (Blue)

(E7) (Gray)

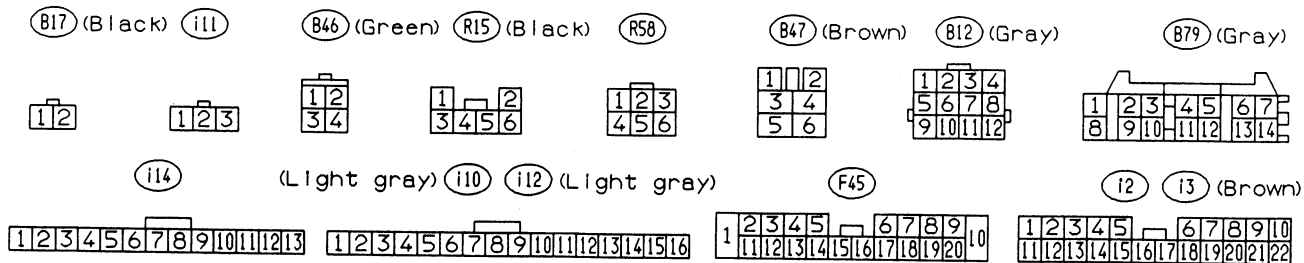
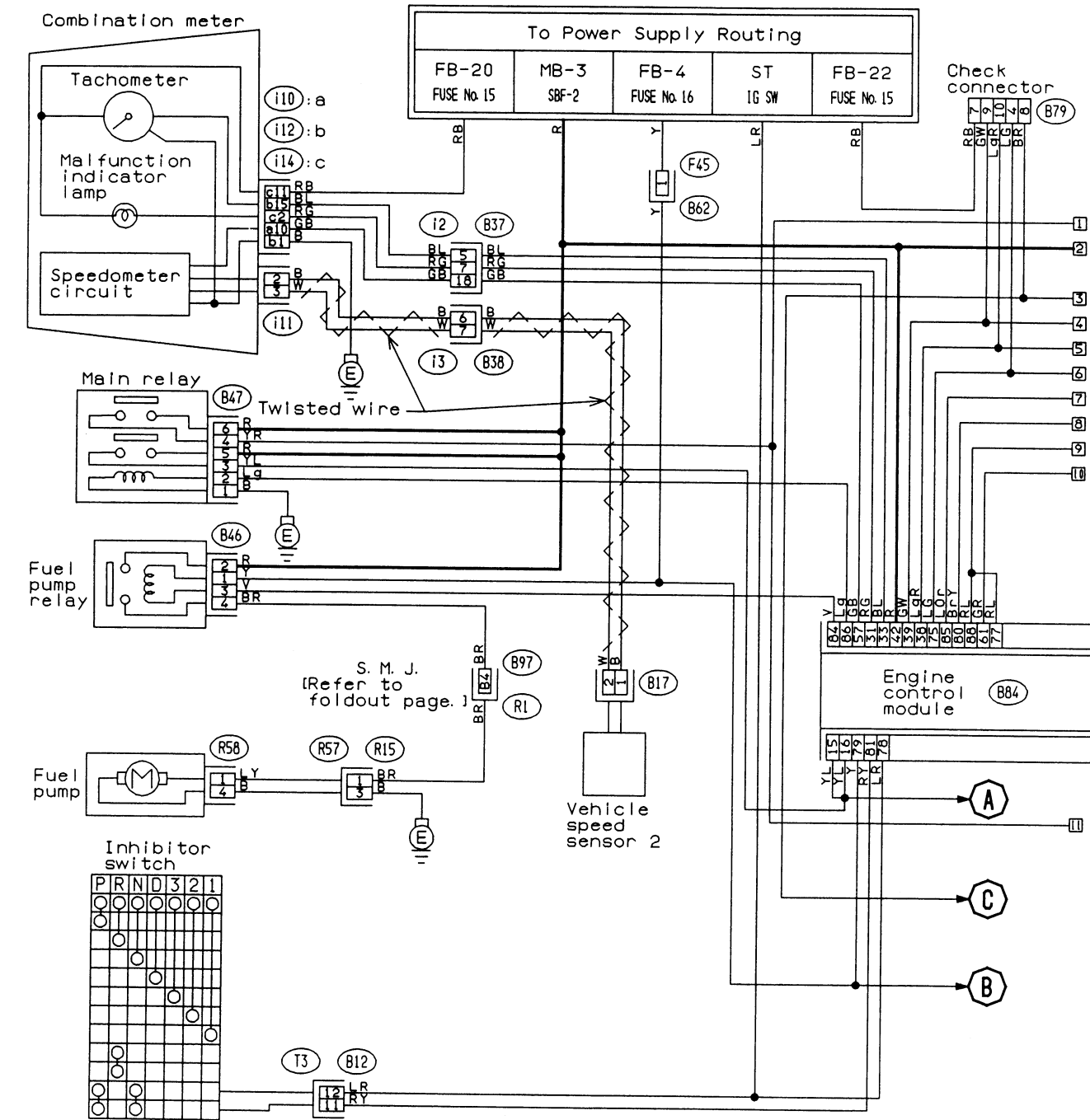
(B20) (Light gray)



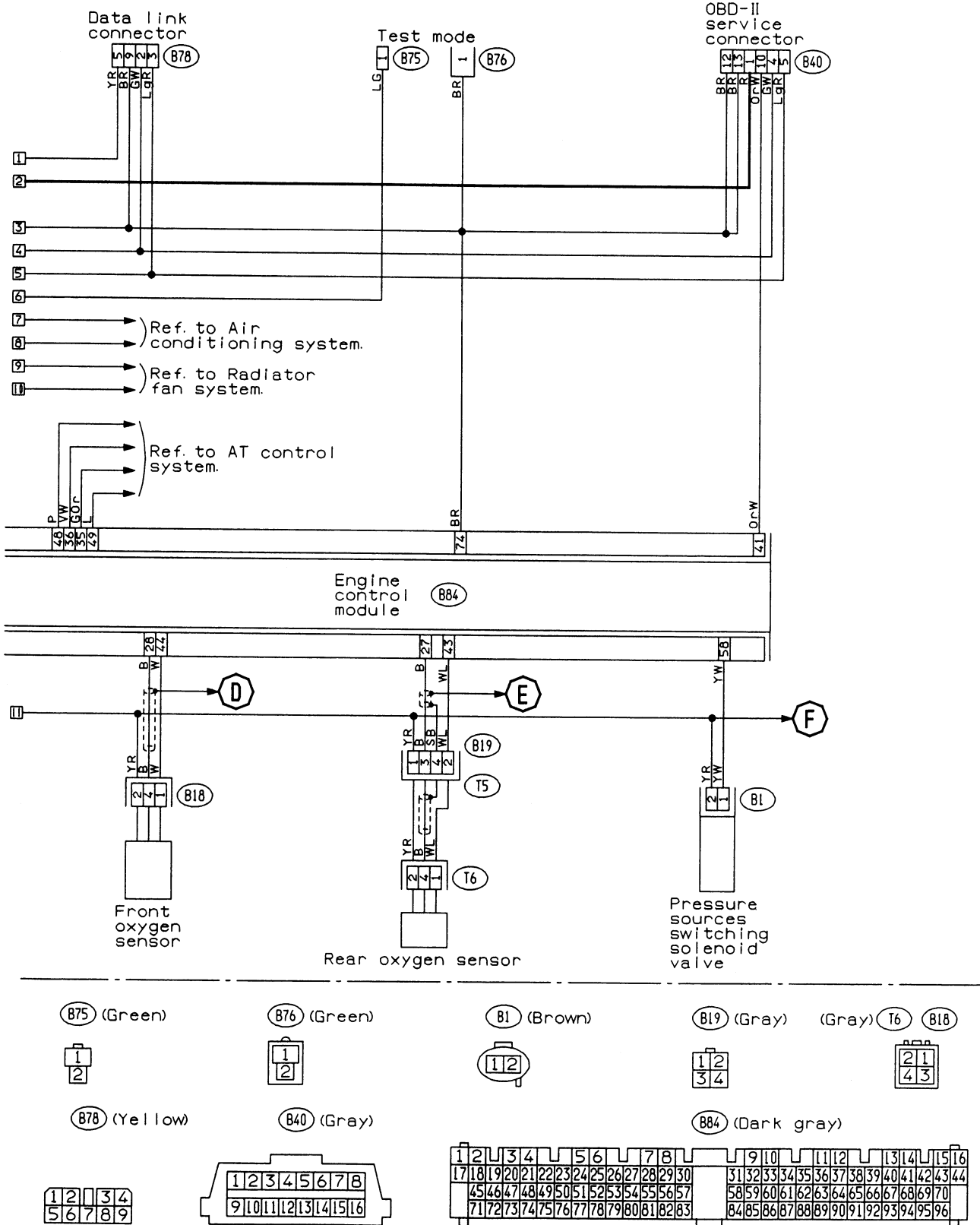
1	2	3	4	5	6	7	8	9	10	11	12	13	14	15	16																																				
17	18	19	20	21	22	23	24	25	26	27	28	29	30	31	32	33	34	35	36	37	38	39	40	41	42	43	44																								
45	46	47	48	49	50	51	52	53	54	55	56	57	58	59	60	61	62	63	64	65	66	67	68	69	70	71	72	73	74	75	76	77	78	79	80	81	82	83	84	85	86	87	88	89	90	91	92	93	94	95	96

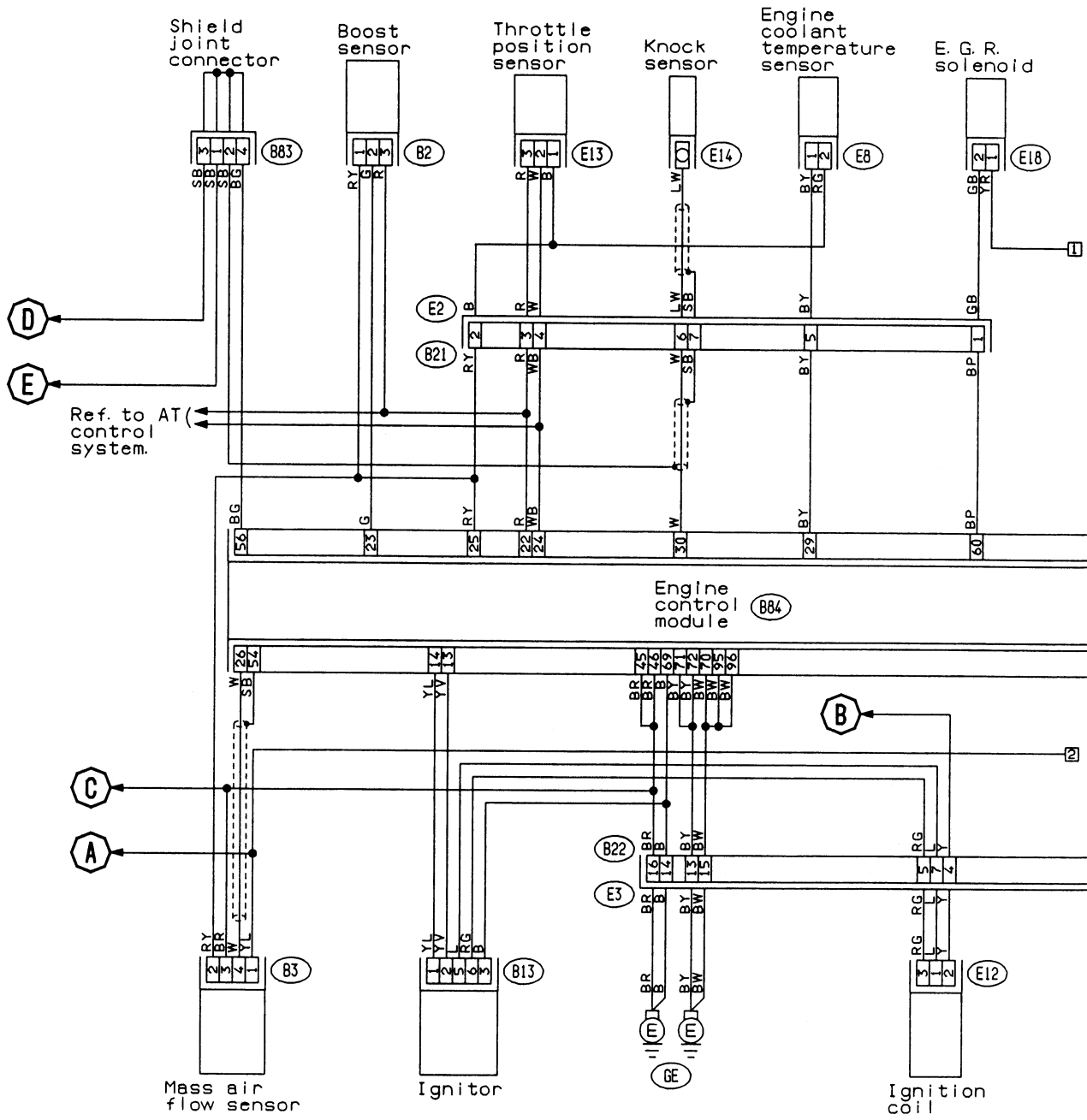
13. ENGINE ELECTRICAL SYSTEM

● RHD model



6. Wiring Diagram

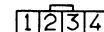




(Brown) (E18) (E8) (Brown) (Black) (B2) (E13) (Brown)

(E12) (Gray)

(B83)

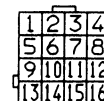
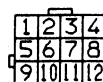
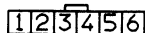
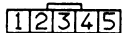


(B3) (Gray)

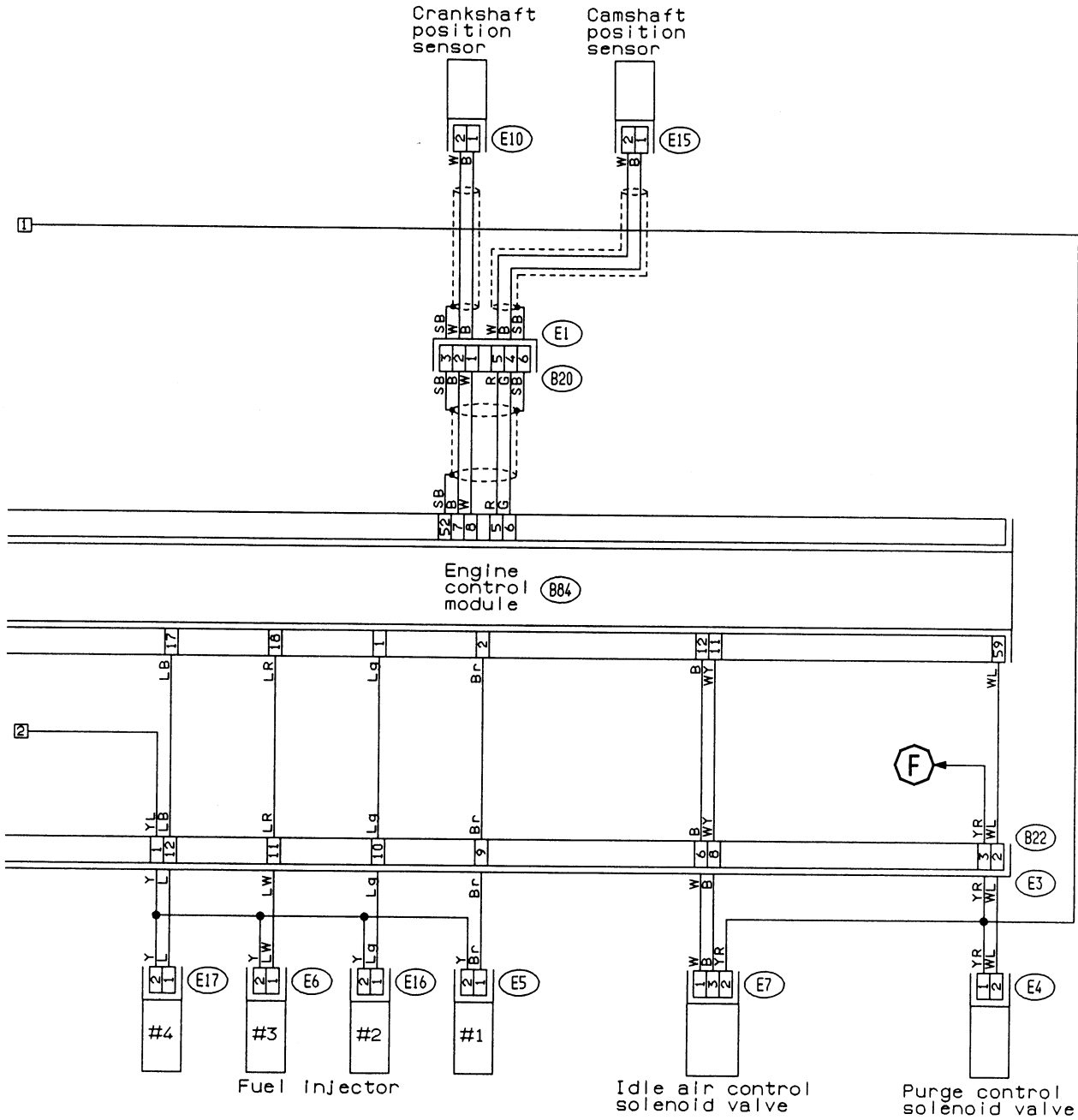
(B13) (Gray)

(B21) (Light gray)

(B22) (Light gray)



WIRING DIAGRAM



- (E15) (Dark gray) (Light gray) (E5) (E16) (Light gray)
- (E10) (Gray) (Dark gray) (E6) (E17) (Dark gray)



(B84) (Dark gray)

(E4) (Blue)

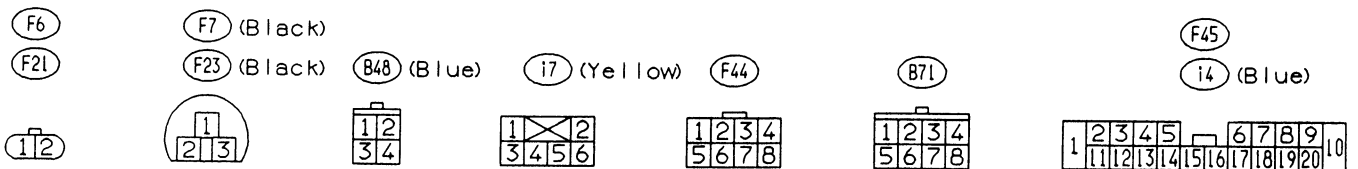
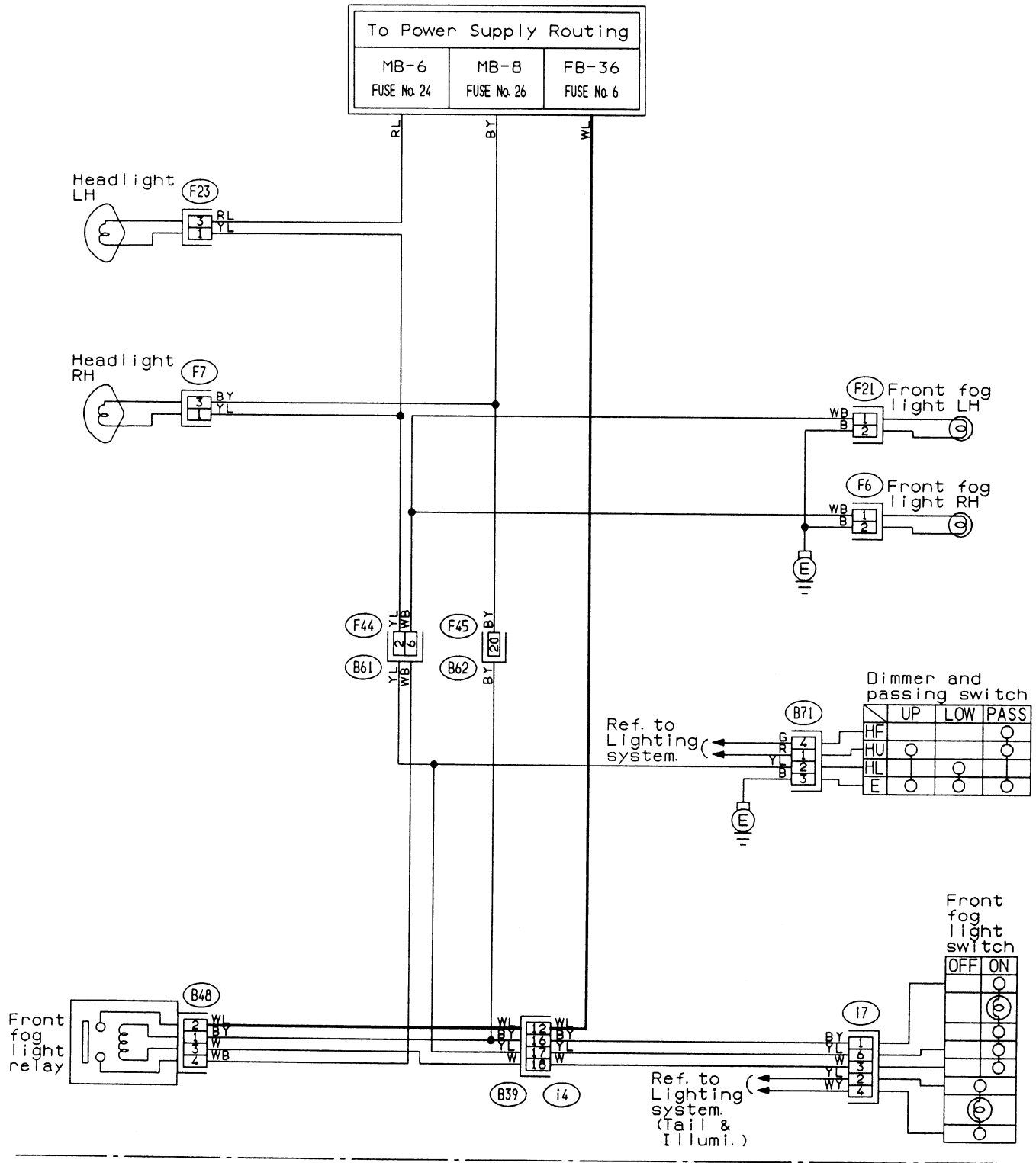
(E7) (Gray)

(B20) (Light gray)



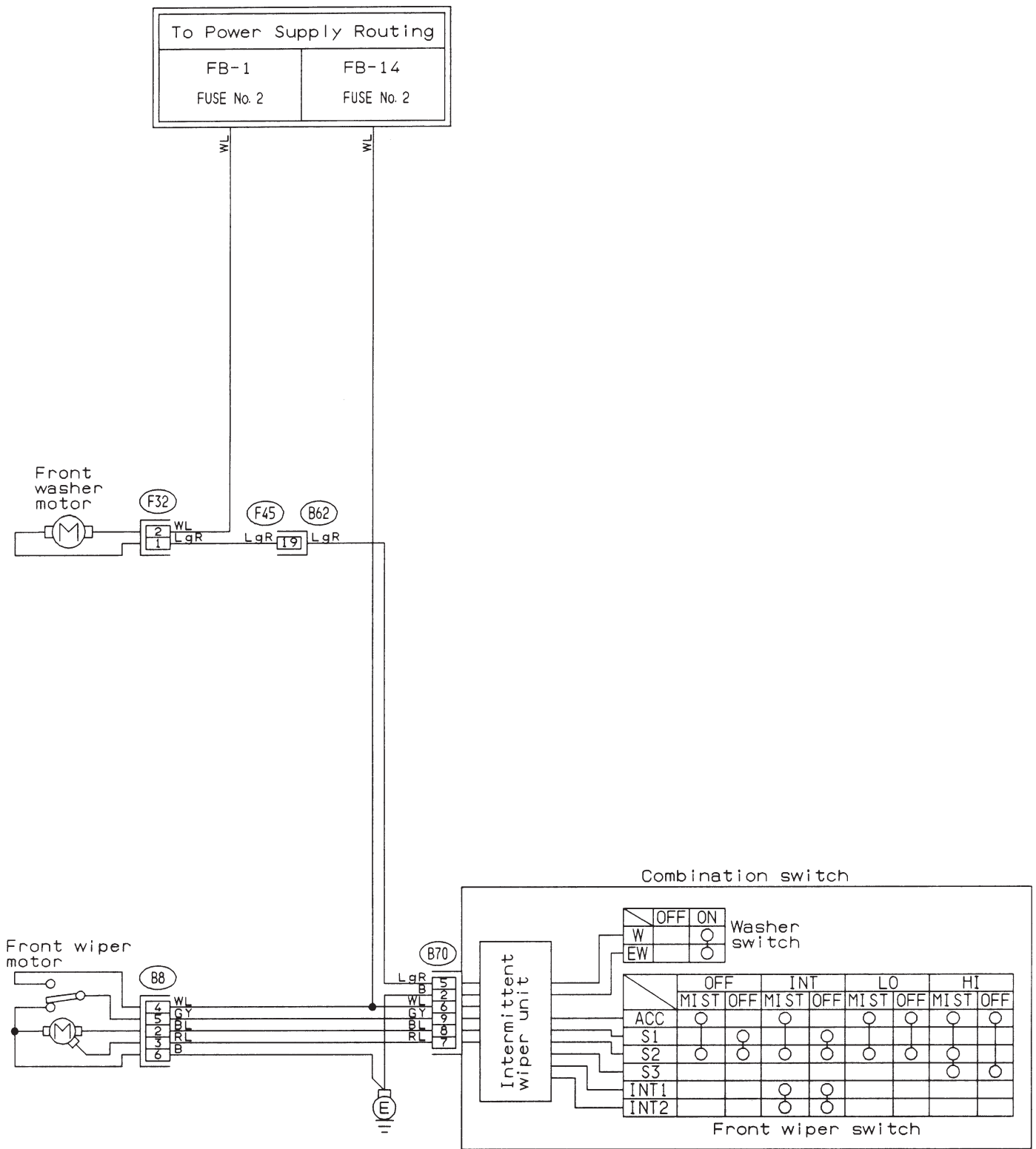
1	2	3	4	5	6	7	8	9	10	11	12	13	14	15	16																																				
17	18	19	20	21	22	23	24	25	26	27	28	29	30	31	32	33	34	35	36	37	38	39	40	41	42	43	44																								
45	46	47	48	49	50	51	52	53	54	55	56	57	58	59	60	61	62	63	64	65	66	67	68	69	70	71	72	73	74	75	76	77	78	79	80	81	82	83	84	85	86	87	88	89	90	91	92	93	94	95	96

14. FRONT FOG LIGHT SYSTEM



15. FRONT WIPER AND WASHER SYSTEM

● LHD model



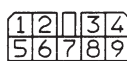
F32 (Green)



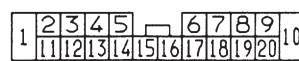
B8



B70

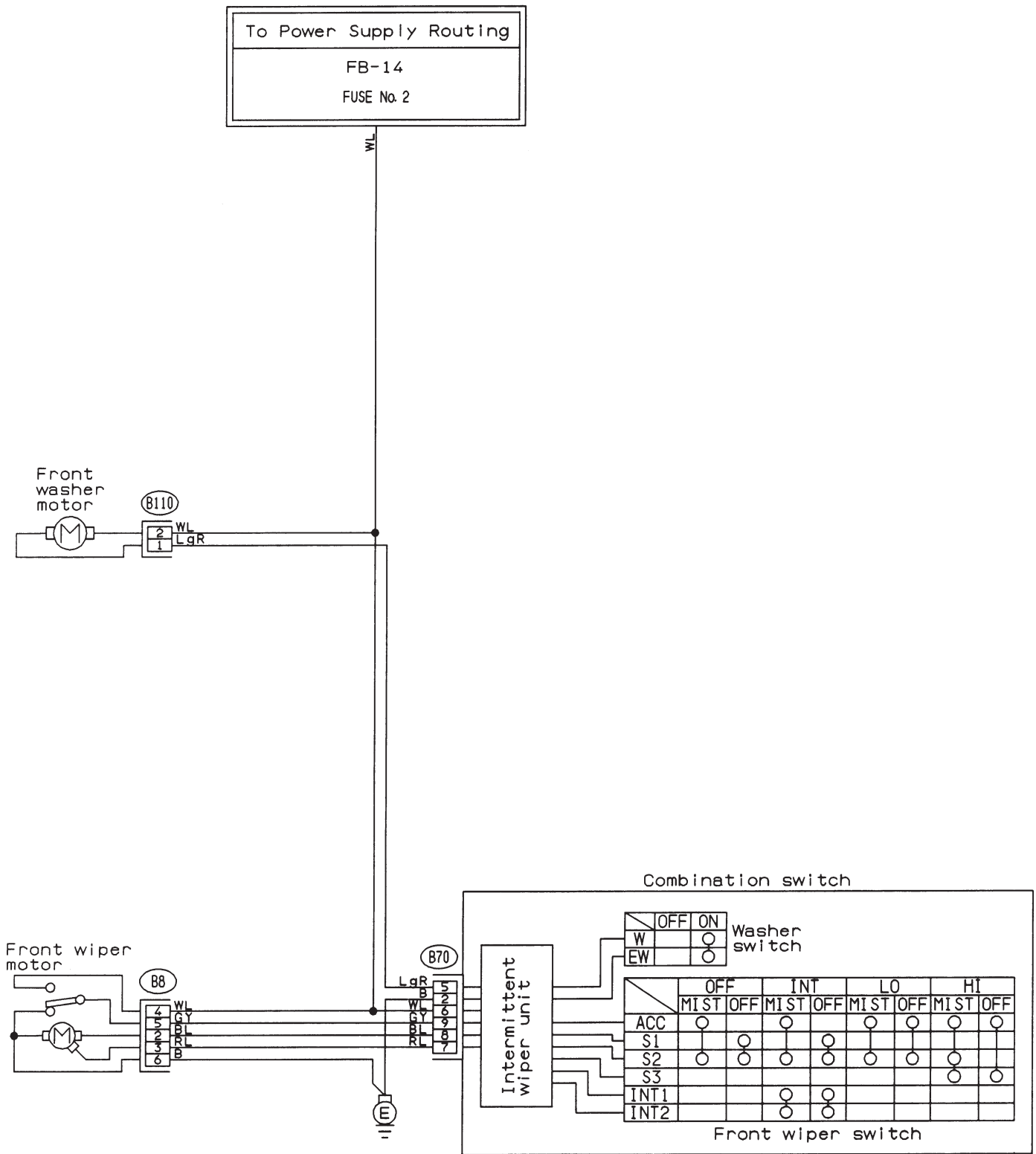


F45



15. FRONT WIPER AND WASHER SYSTEM

● RHD model



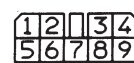
(B110) (Green)



(B8)

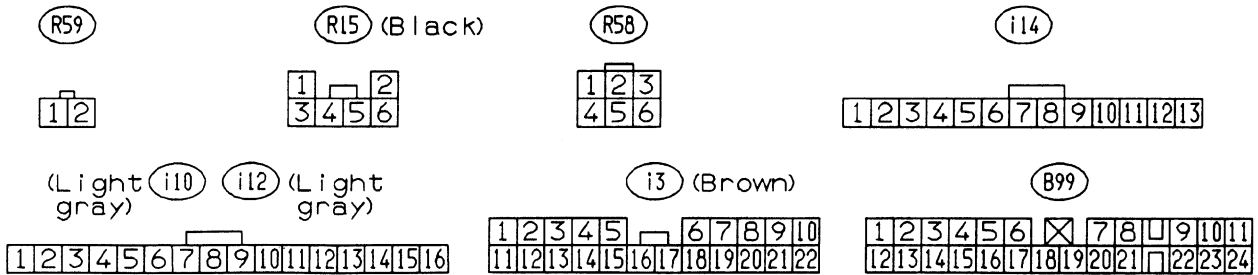
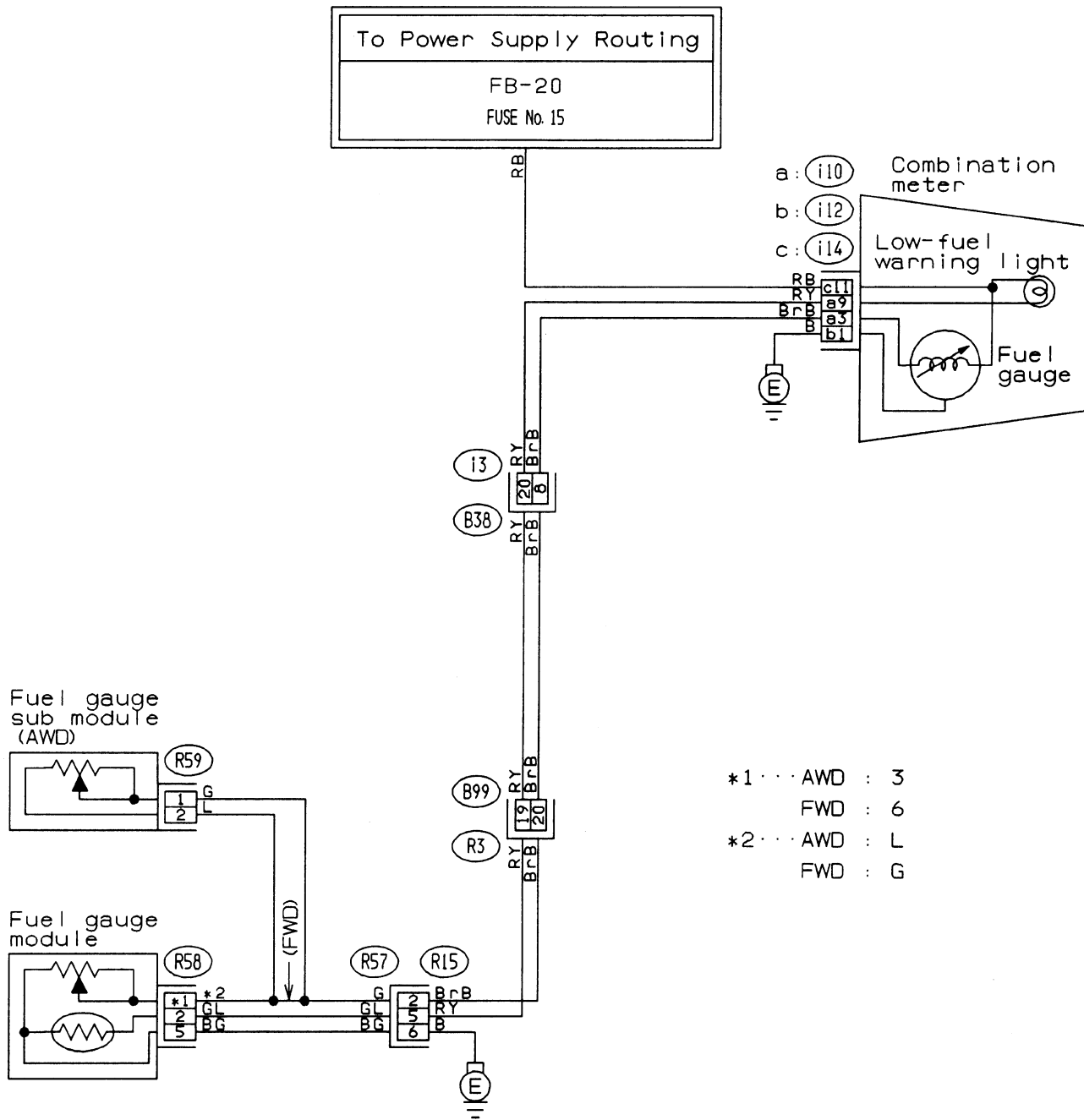


(B70)



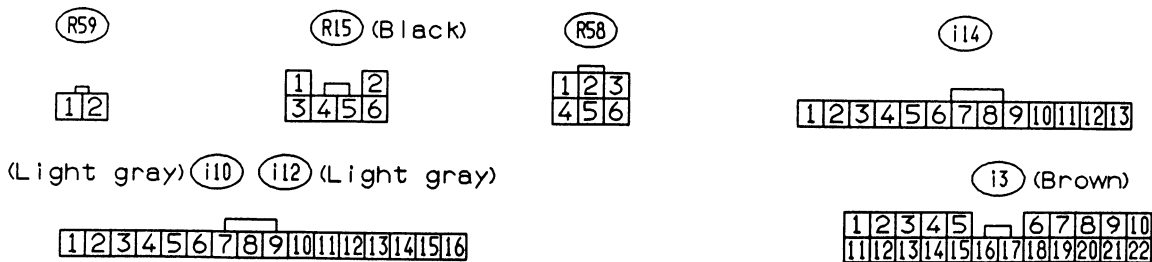
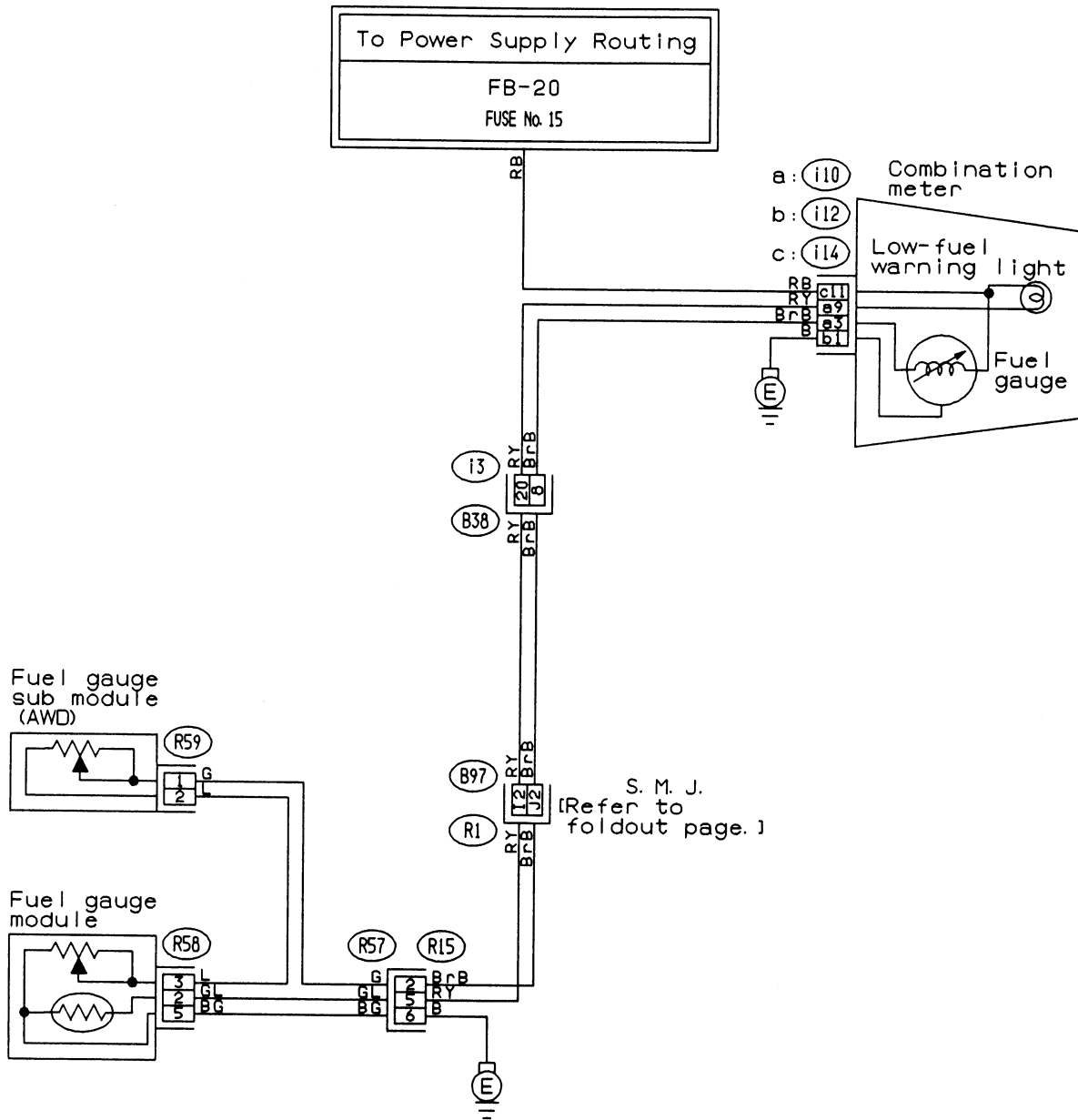
16. FUEL GAUGE SYSTEM

● LHD model



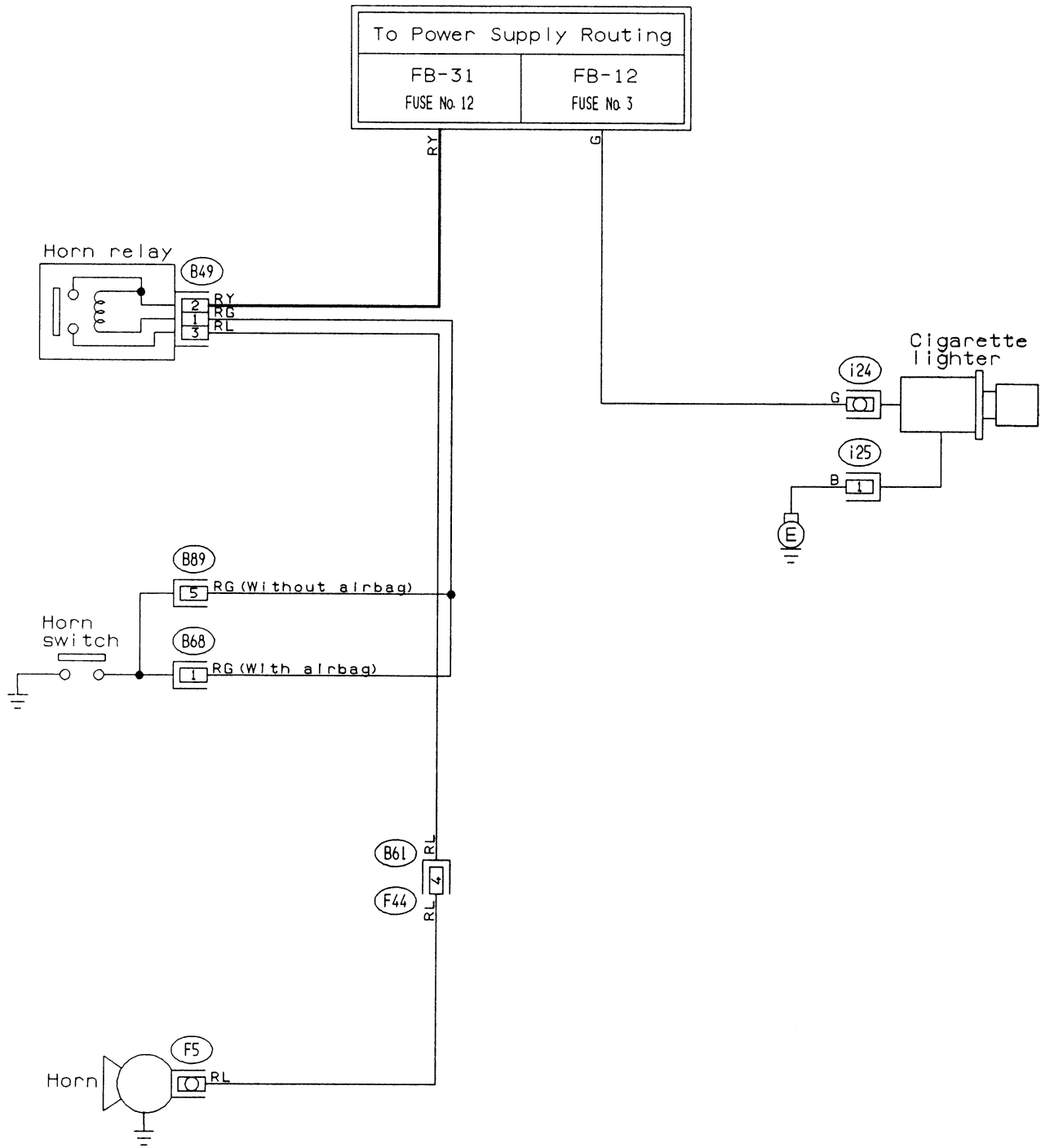
16. FUEL GAUGE SYSTEM

● RHD model



17. HORN AND CIGARETTE LIGHTER SYSTEM

● LHD model



(i25)

(B49) (Black)



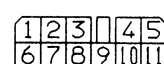
(B68) (Black)



(F44)

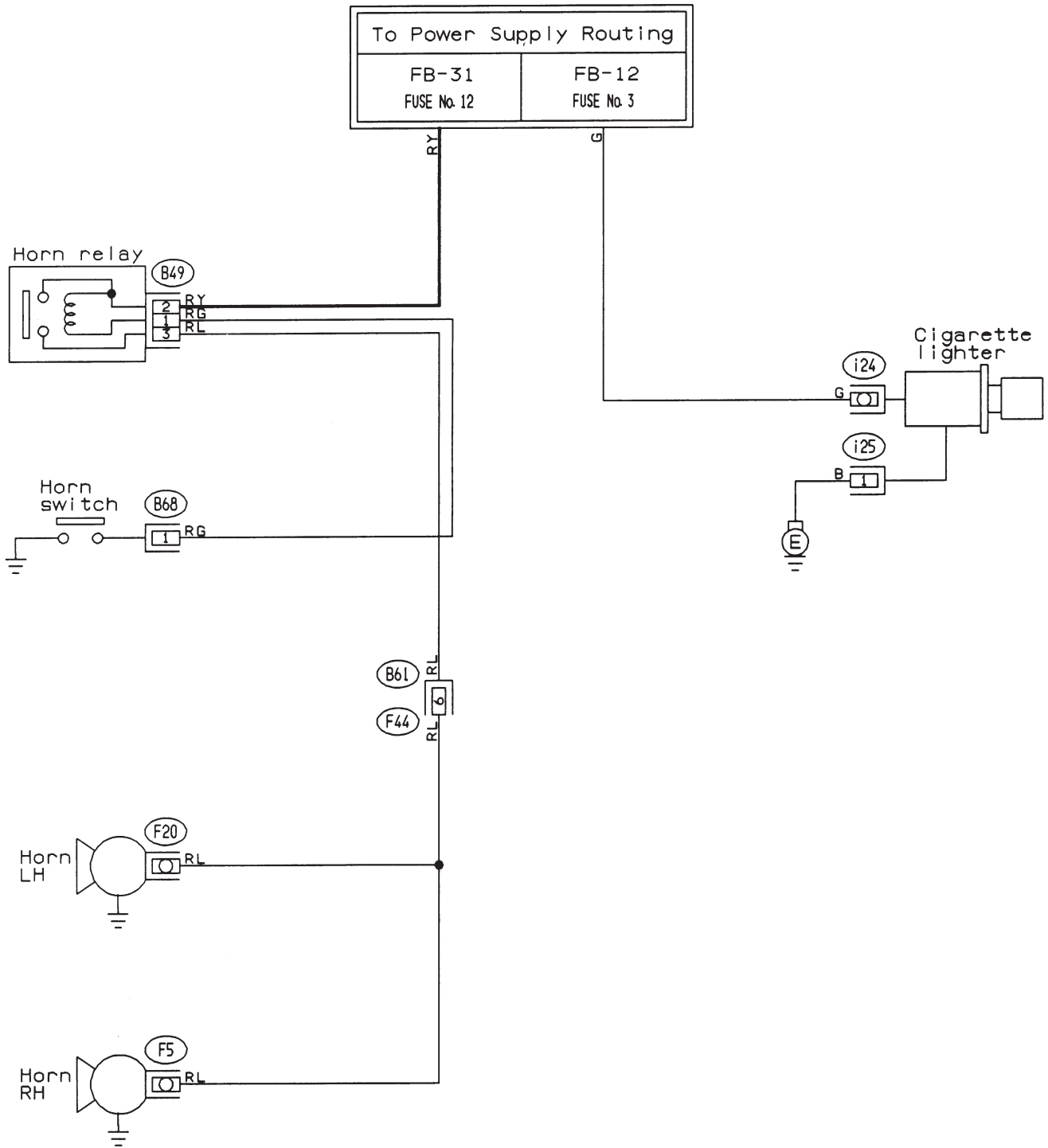


(B89) (Black)



17. HORN AND CIGARETTE LIGHTER SYSTEM

● RHD model



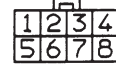
(i25) (B49) (Black)



(B68) (Black)



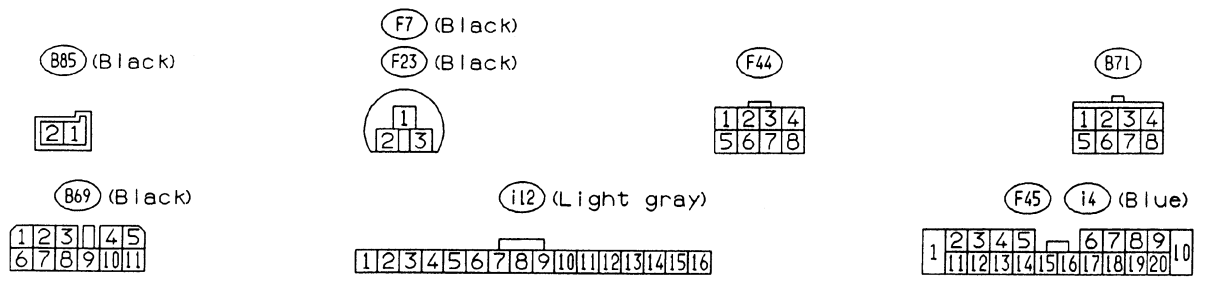
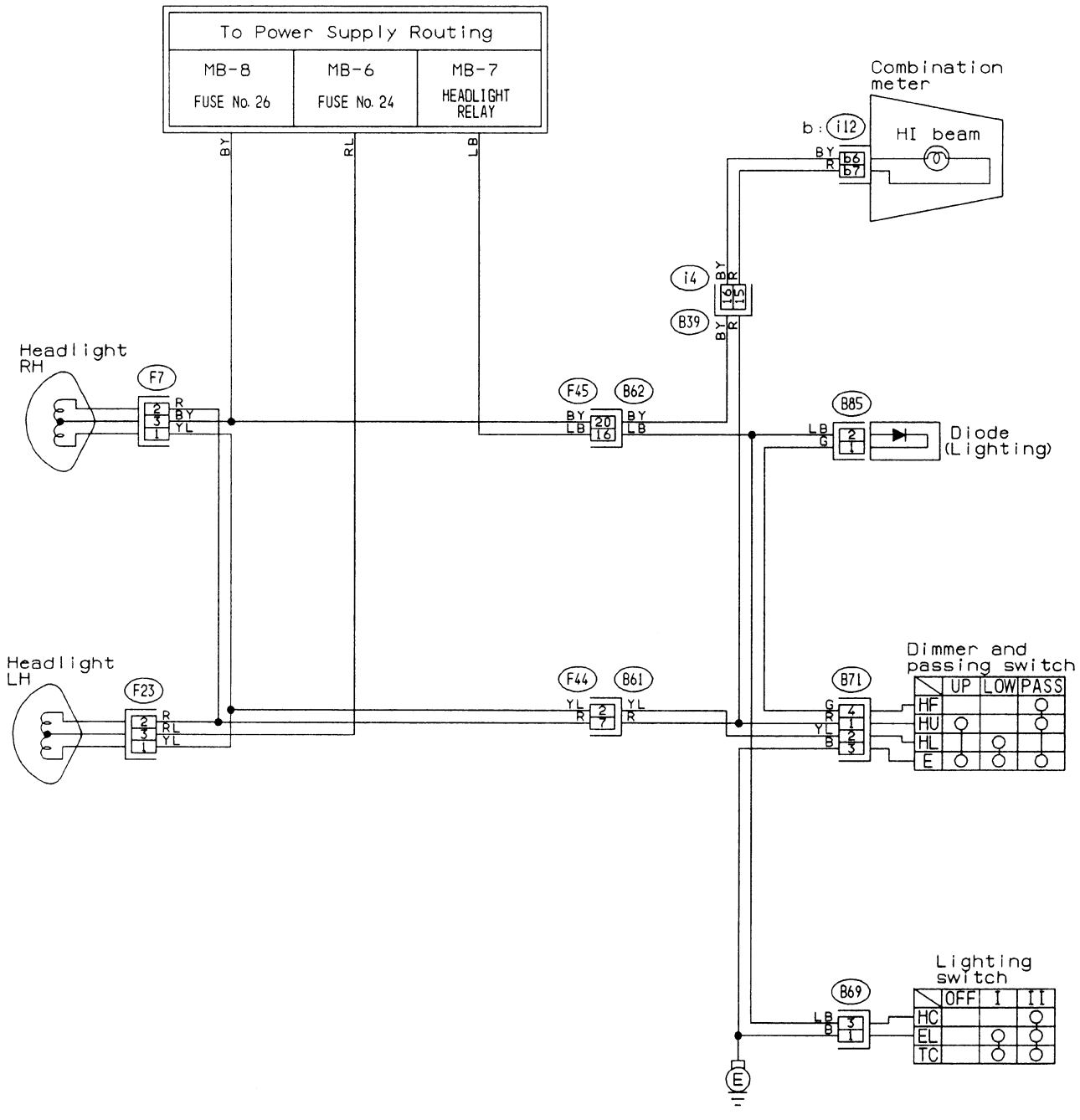
(F44)



BUR74-01

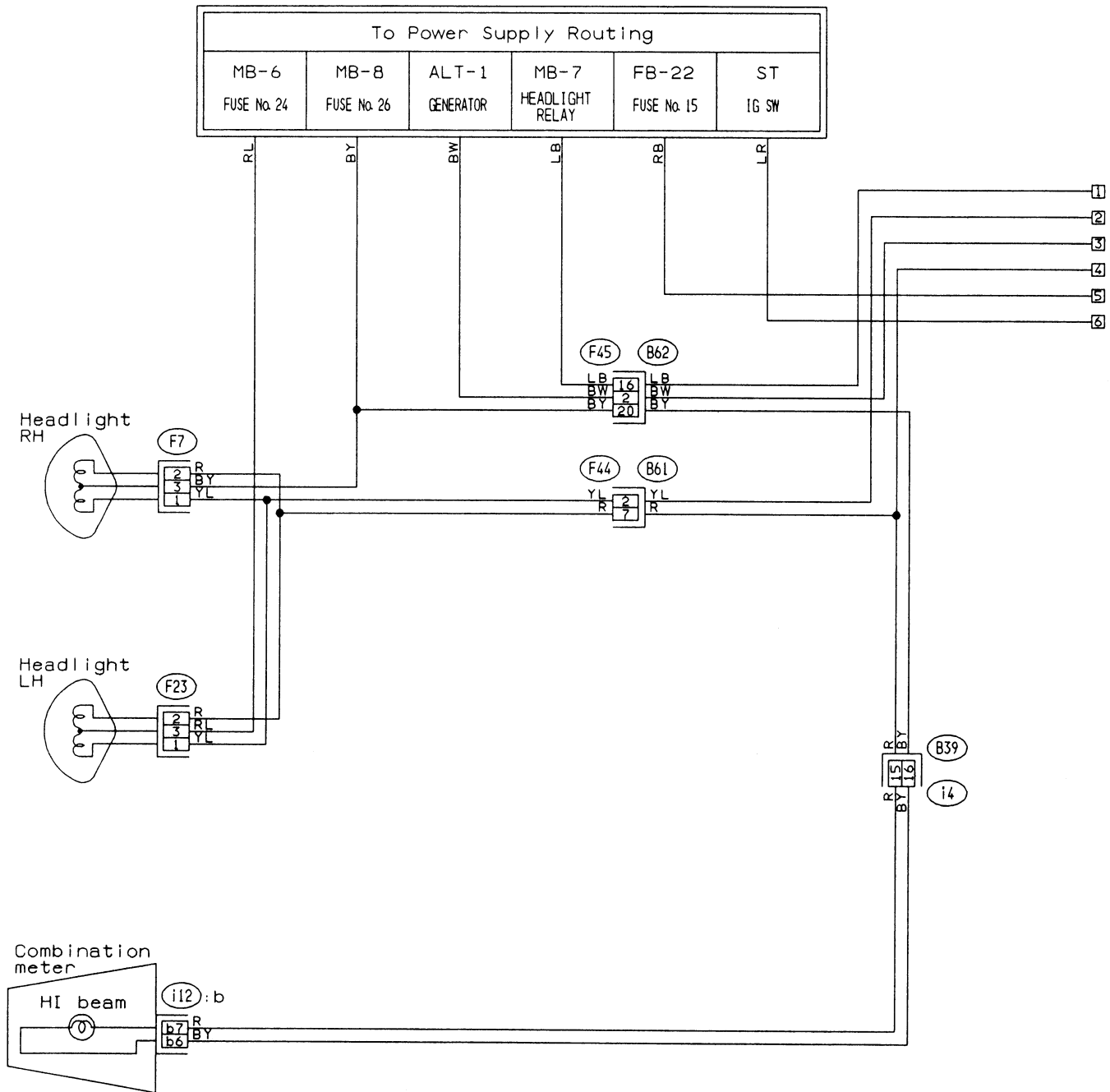
18. LIGHTING (HEADLIGHT) SYSTEM

● LHD without DRL model



18. LIGHTING (HEADLIGHT) SYSTEM

● LHD with DRL model

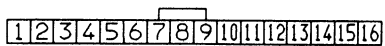


F7 (Black)

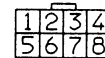
F23 (Black)



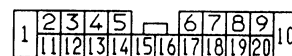
i12 (Light gray)



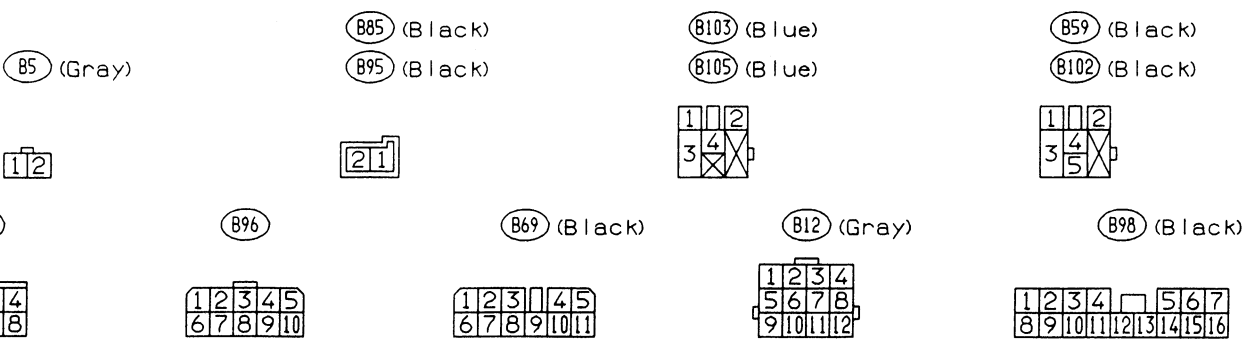
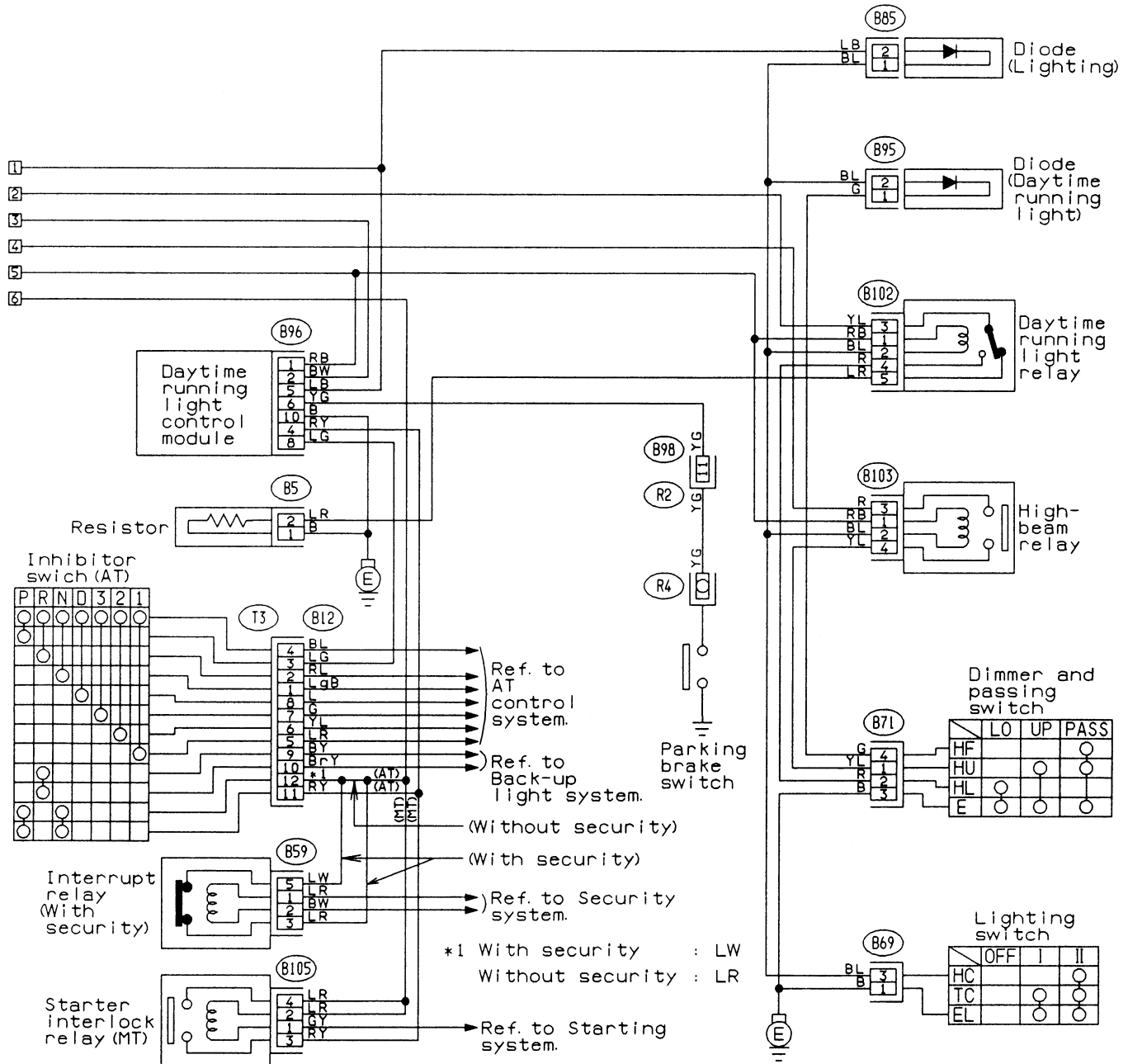
F44



F45 i4 (Blue)

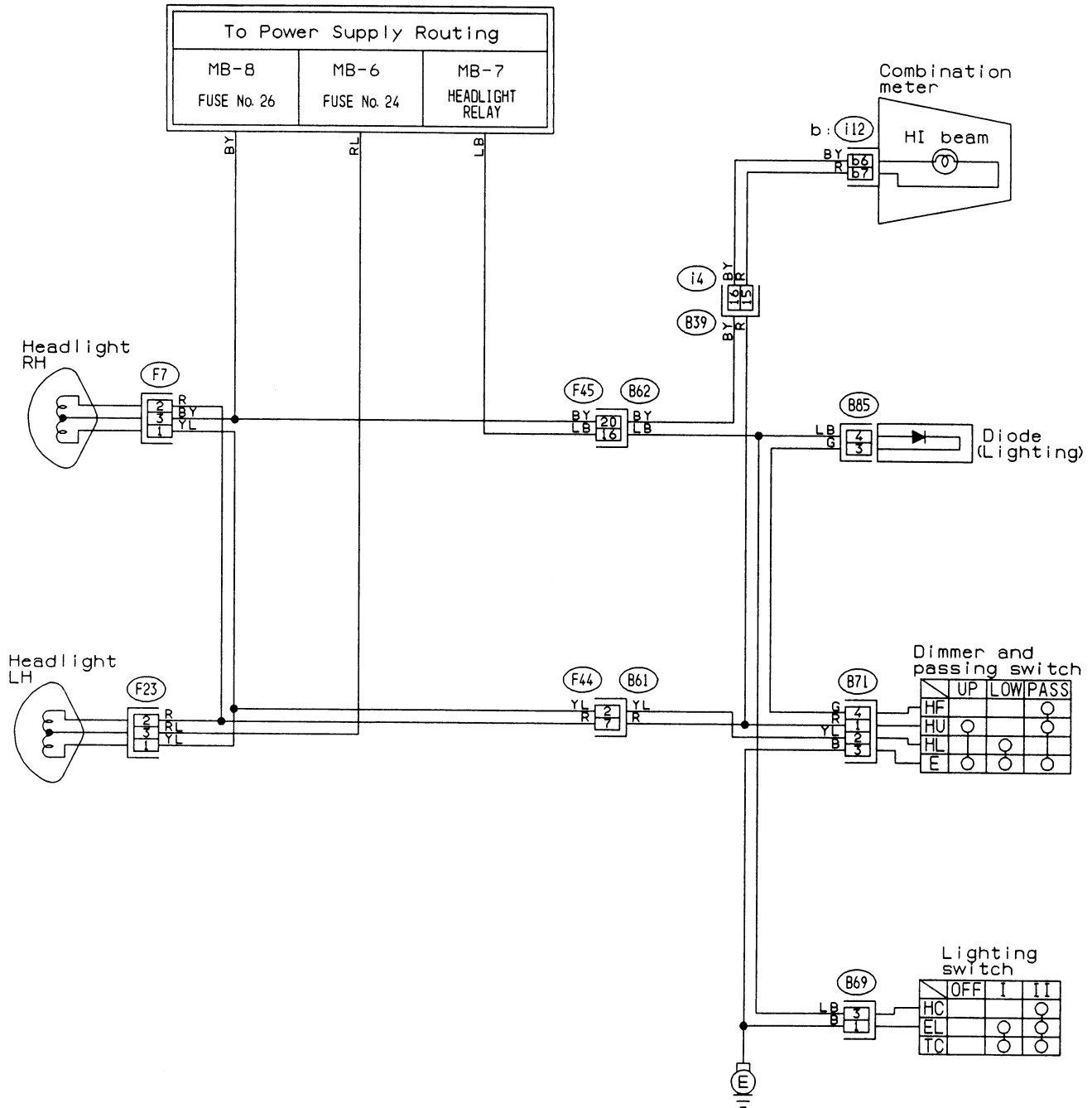


6. Wiring Diagram



18. LIGHTING (HEADLIGHT) SYSTEM

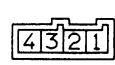
● RHD model



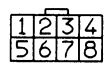
(F7) (Black)
(F23) (Black)



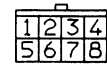
(B85) (Brown)



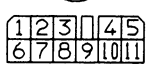
(F44)



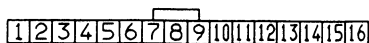
(B71)



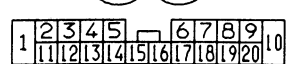
(B69) (Black)



(i12) (Light gray)

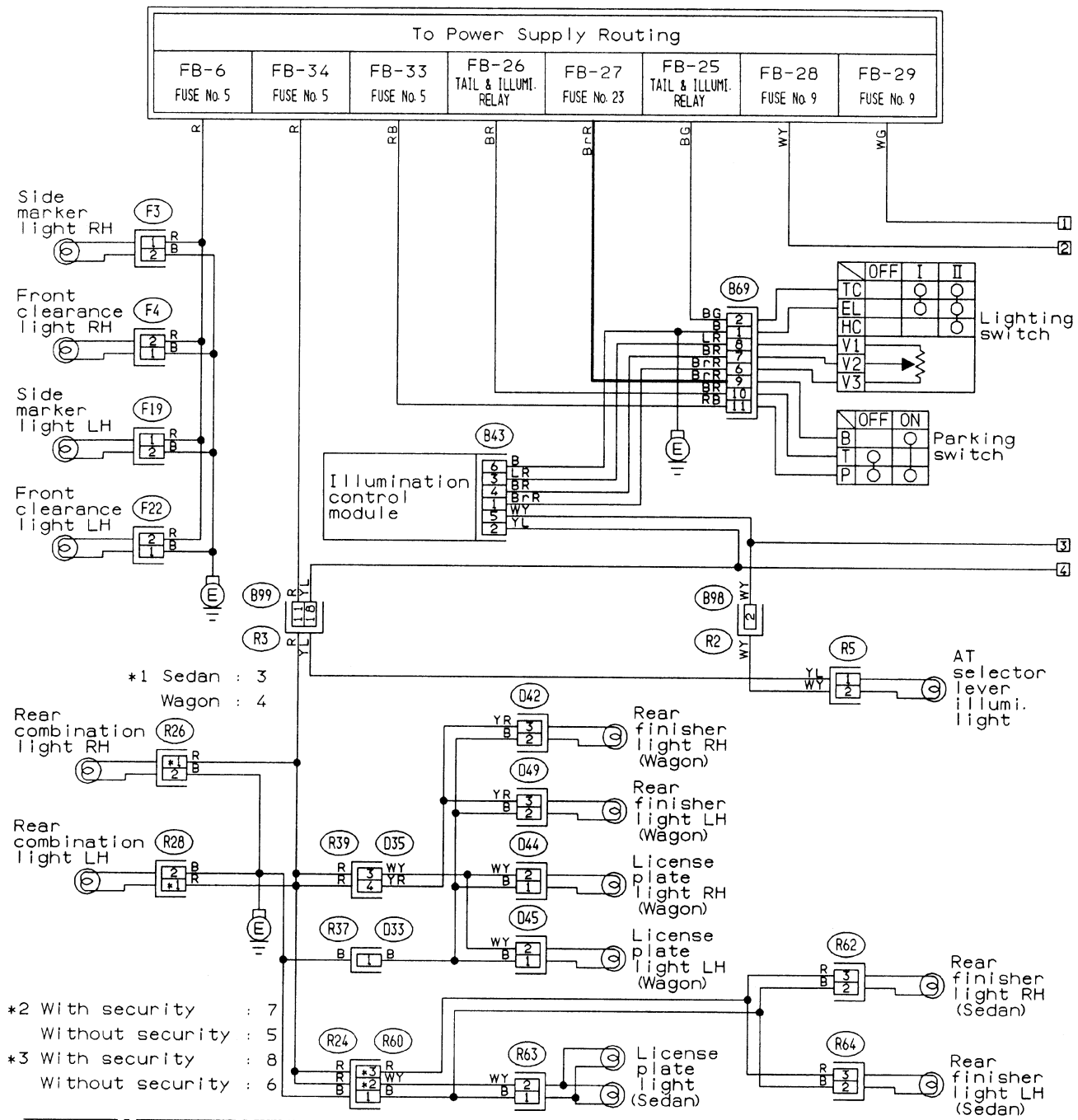


(F45) (i4) (Blue)

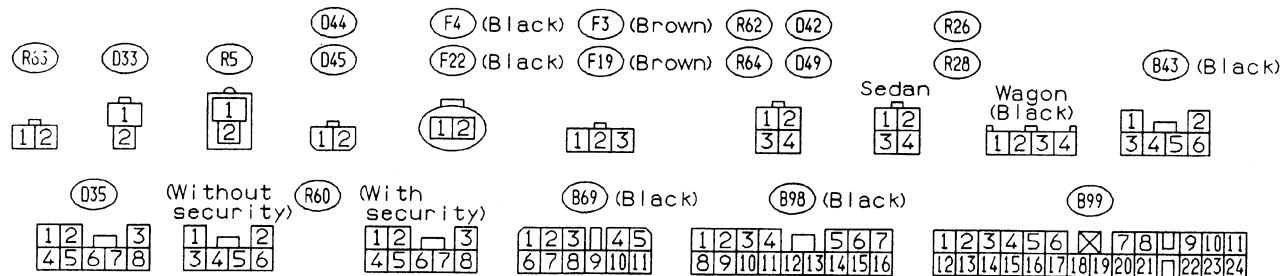


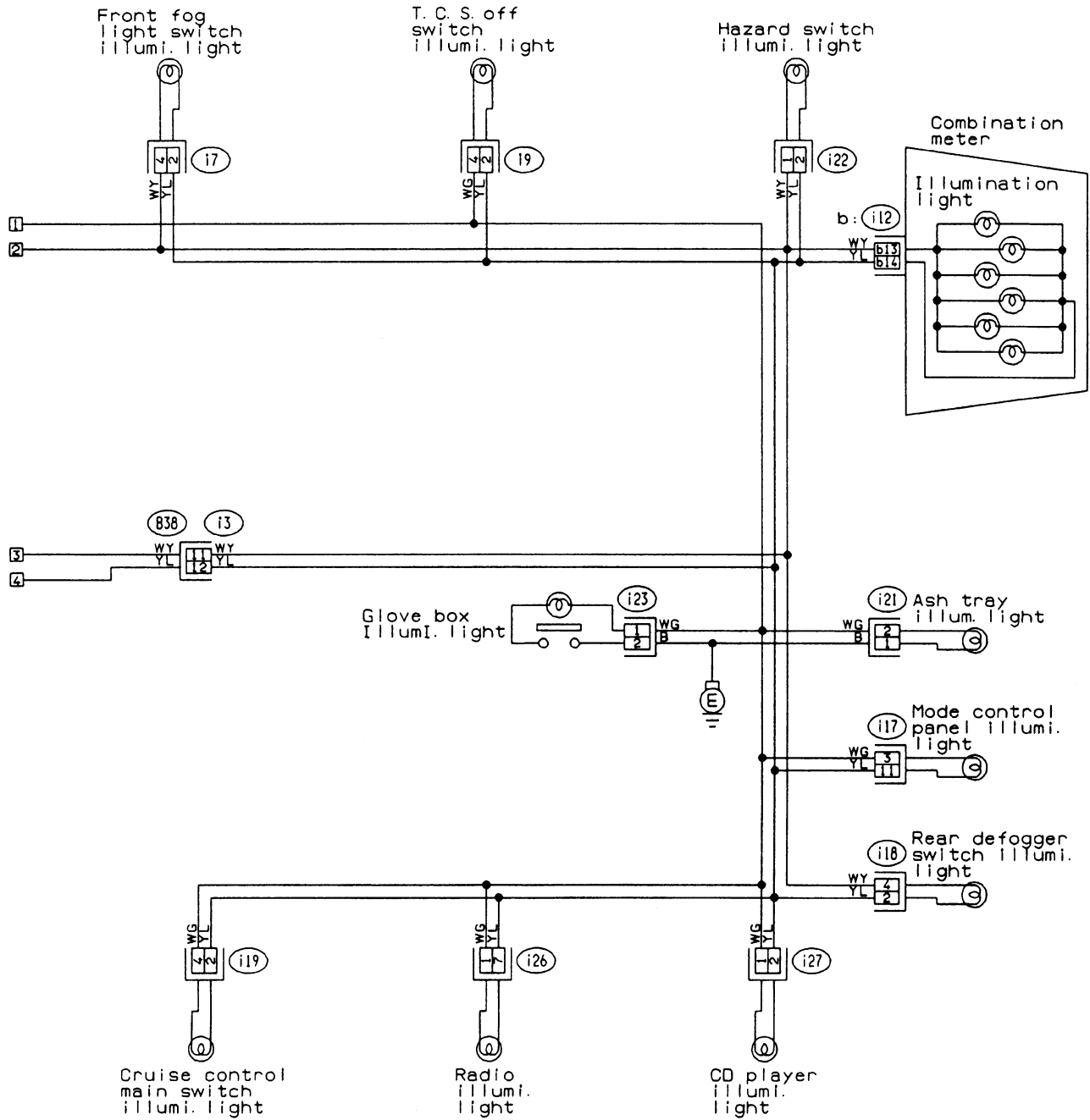
19. LIGHTING
(TAIL LIGHT-ILLUMINATION LIGHT-ETC.) SYSTEM

● LHD model

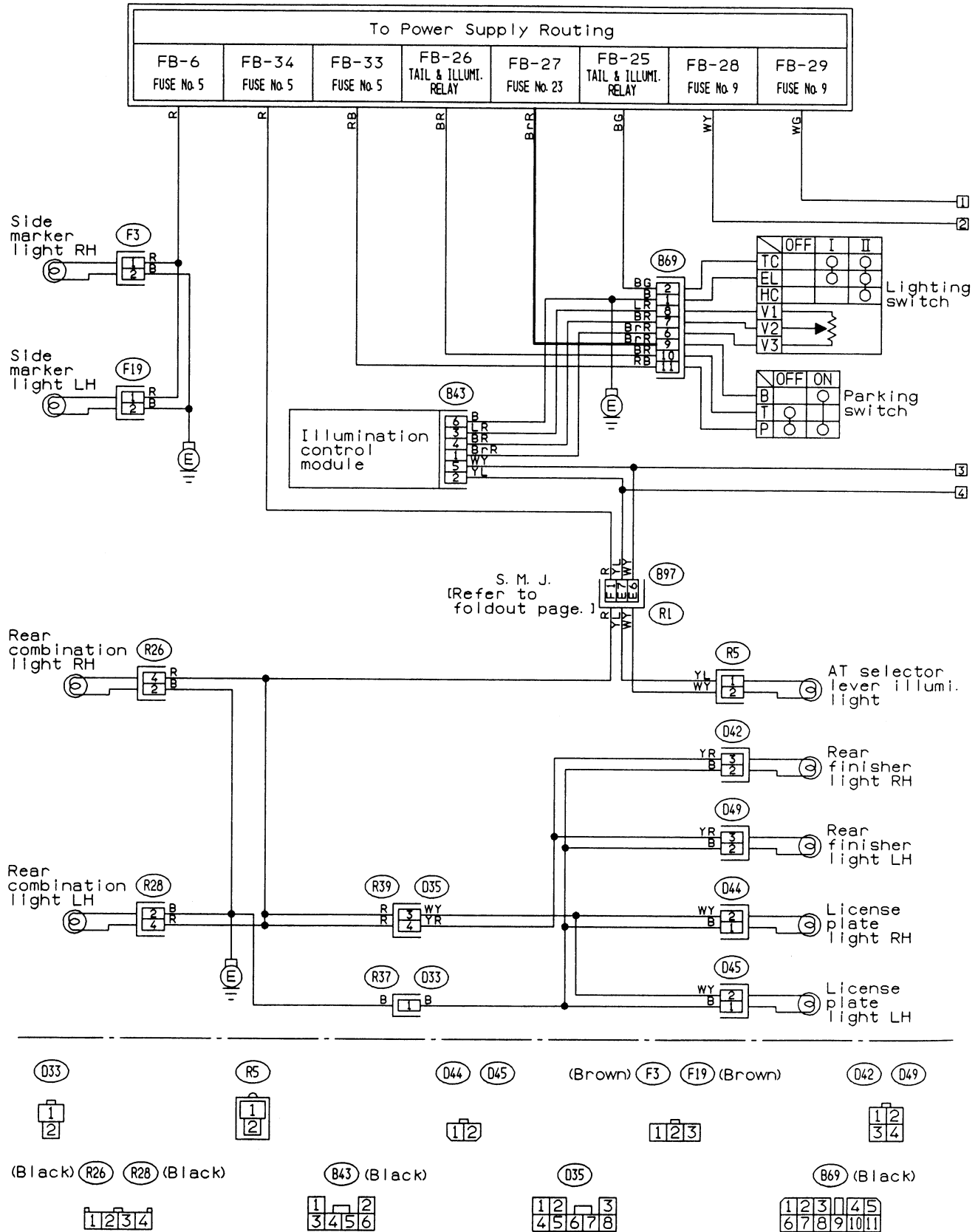


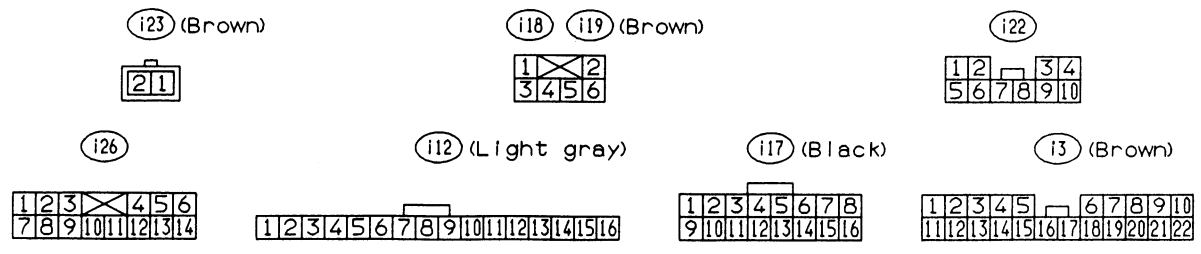
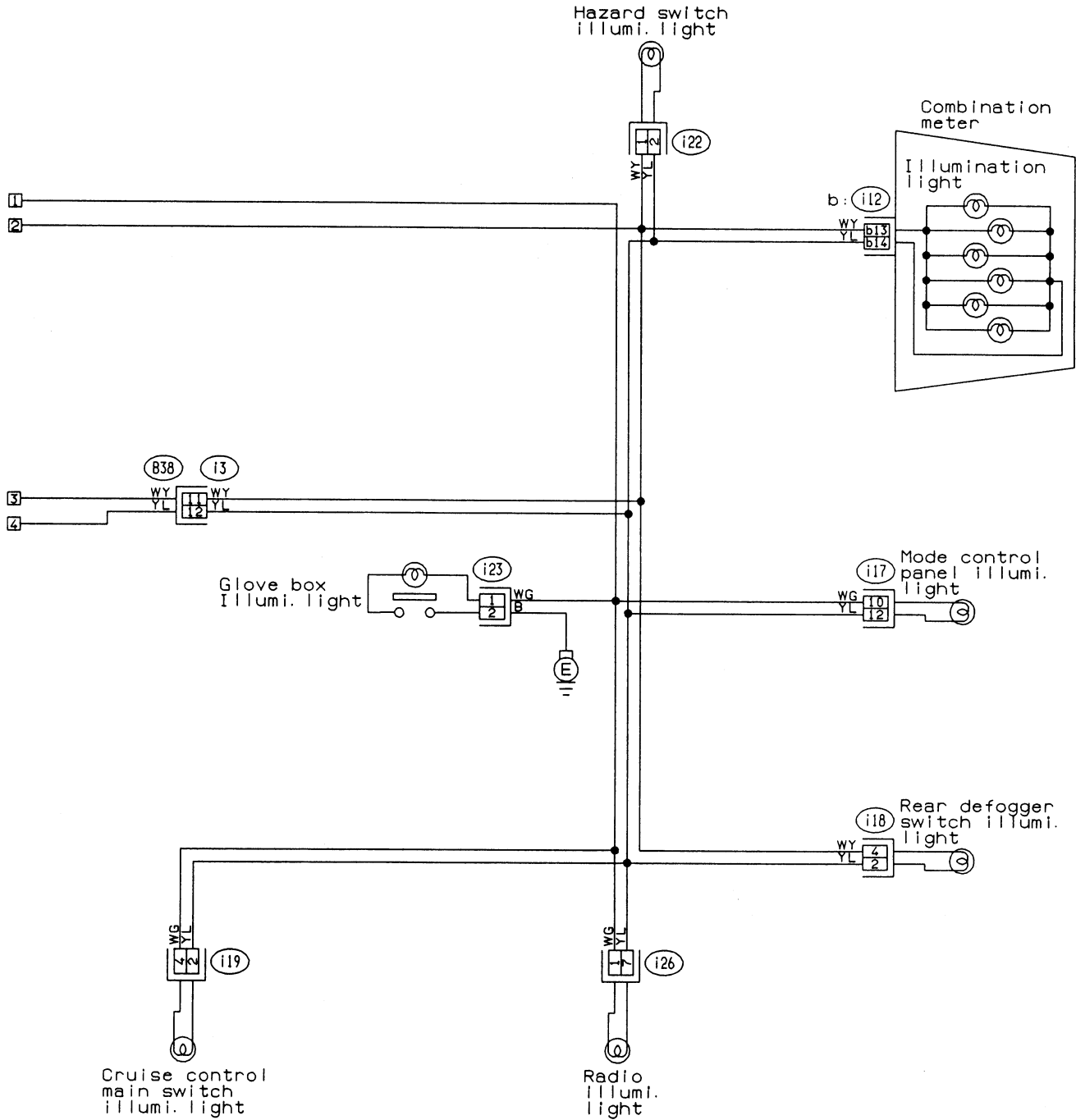
- *1 Sedan : 3
Wagon : 4
- Rear combination light RH (R26)
- Rear combination light LH (R28)
- *2 With security : 7
Without security : 5
- *3 With security : 8
Without security : 6



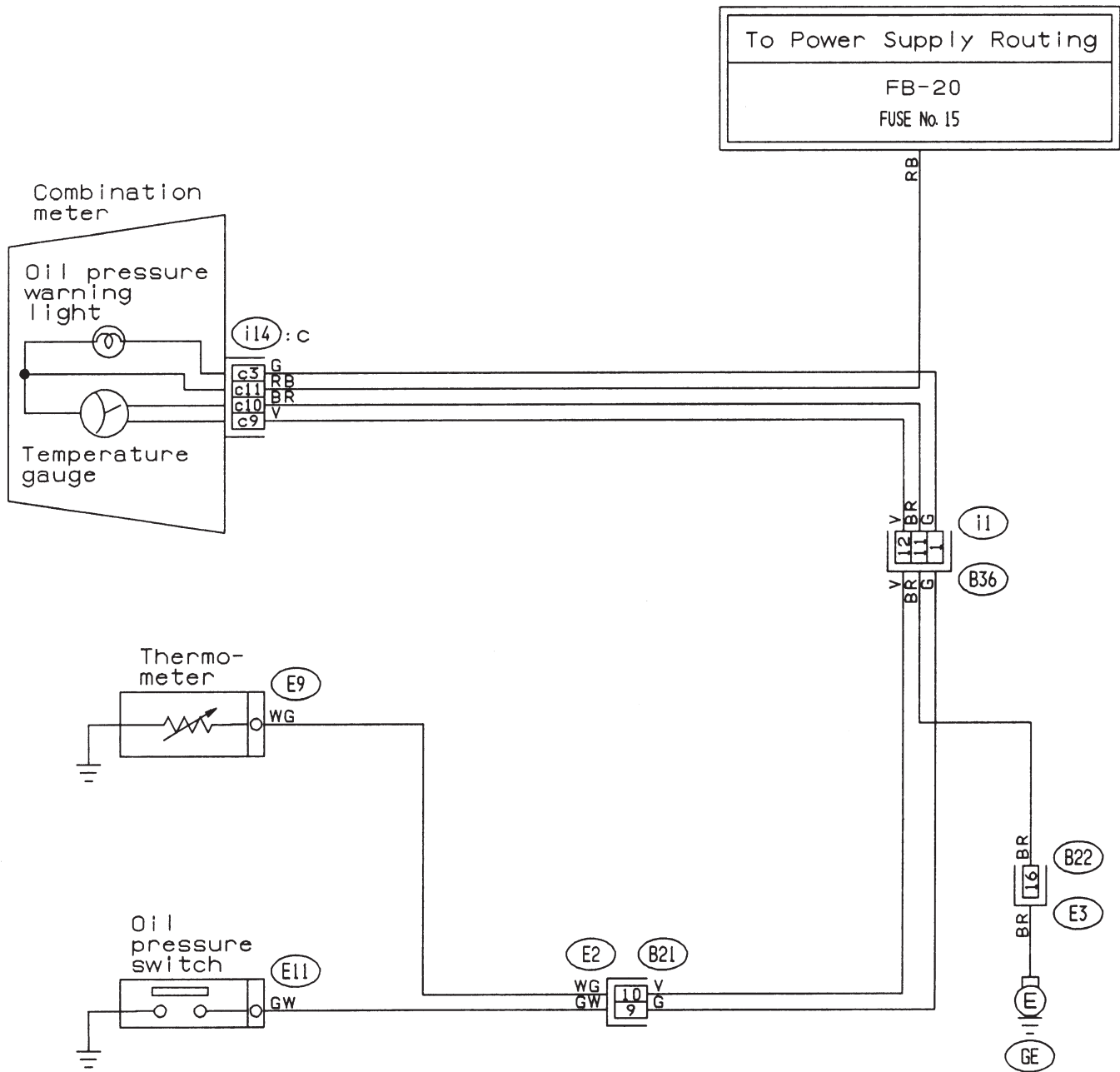


19. LIGHTING
(TAIL LIGHT-ILLUMINATION LIGHT-ETC.) SYSTEM
● RHD model

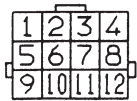




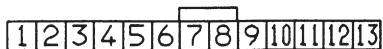
20. OIL PRESSURE AND TEMPERATURE GAUGE SYSTEM



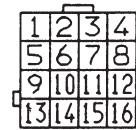
(B21) (Light gray)



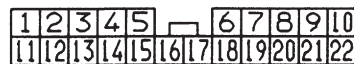
(i14)



(B22) (Light gray)

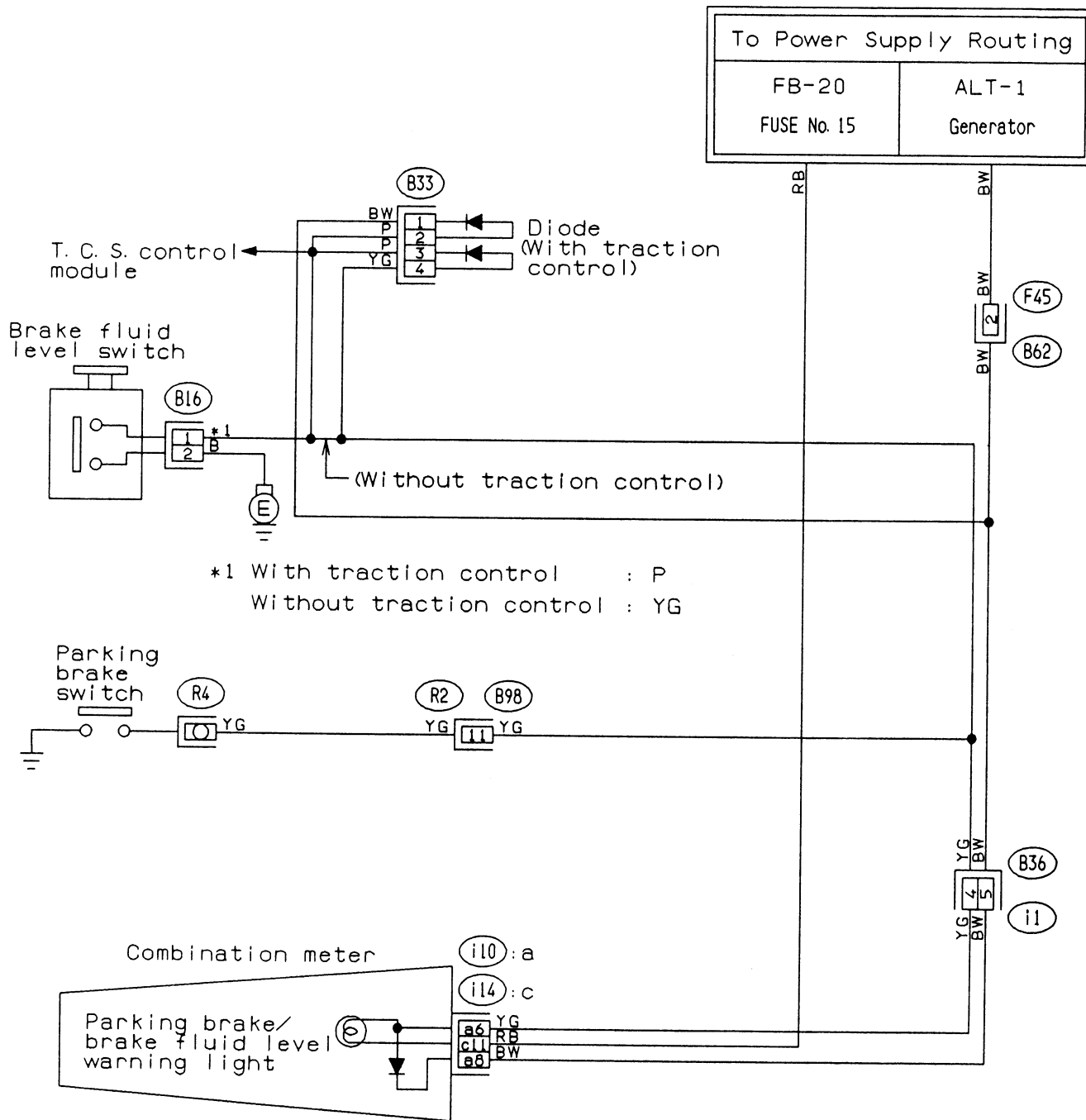


(i1) (Black)



21. PARKING BRAKE AND BRAKE FLUID LEVEL WARNING SYSTEM

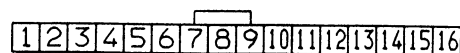
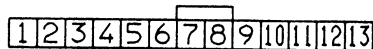
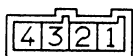
● LHD model



B16 (Gray) B33 (Brown)

i14

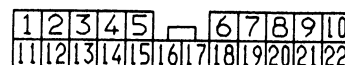
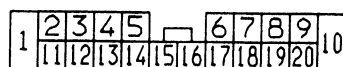
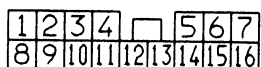
i10 (Light gray)



B98 (Black)

F45

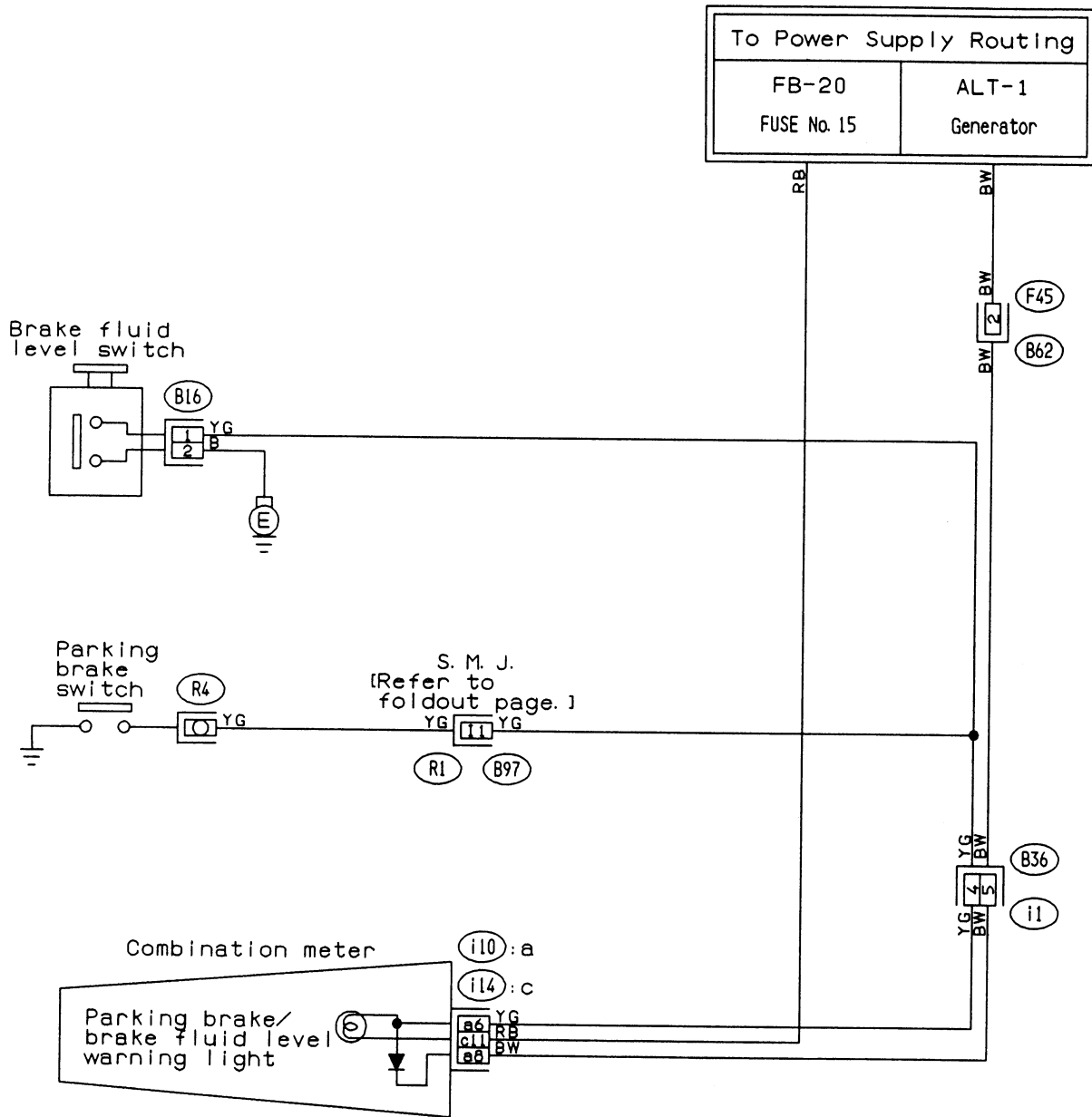
i1 (Black)



BU60-01

21. PARKING BRAKE AND BRAKE FLUID LEVEL WARNING SYSTEM

- RHD model



(B16) (Gray)

(i14)

(i10) (Light gray)

(12)

1 2 3 4 5 6 7 8 9 10 11 12 13

1 2 3 4 5 6 7 8 9 10 11 12 13 14 15 16

(F45)

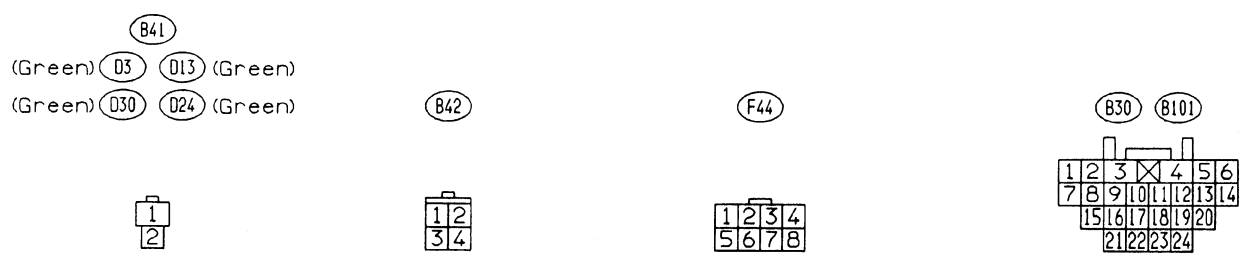
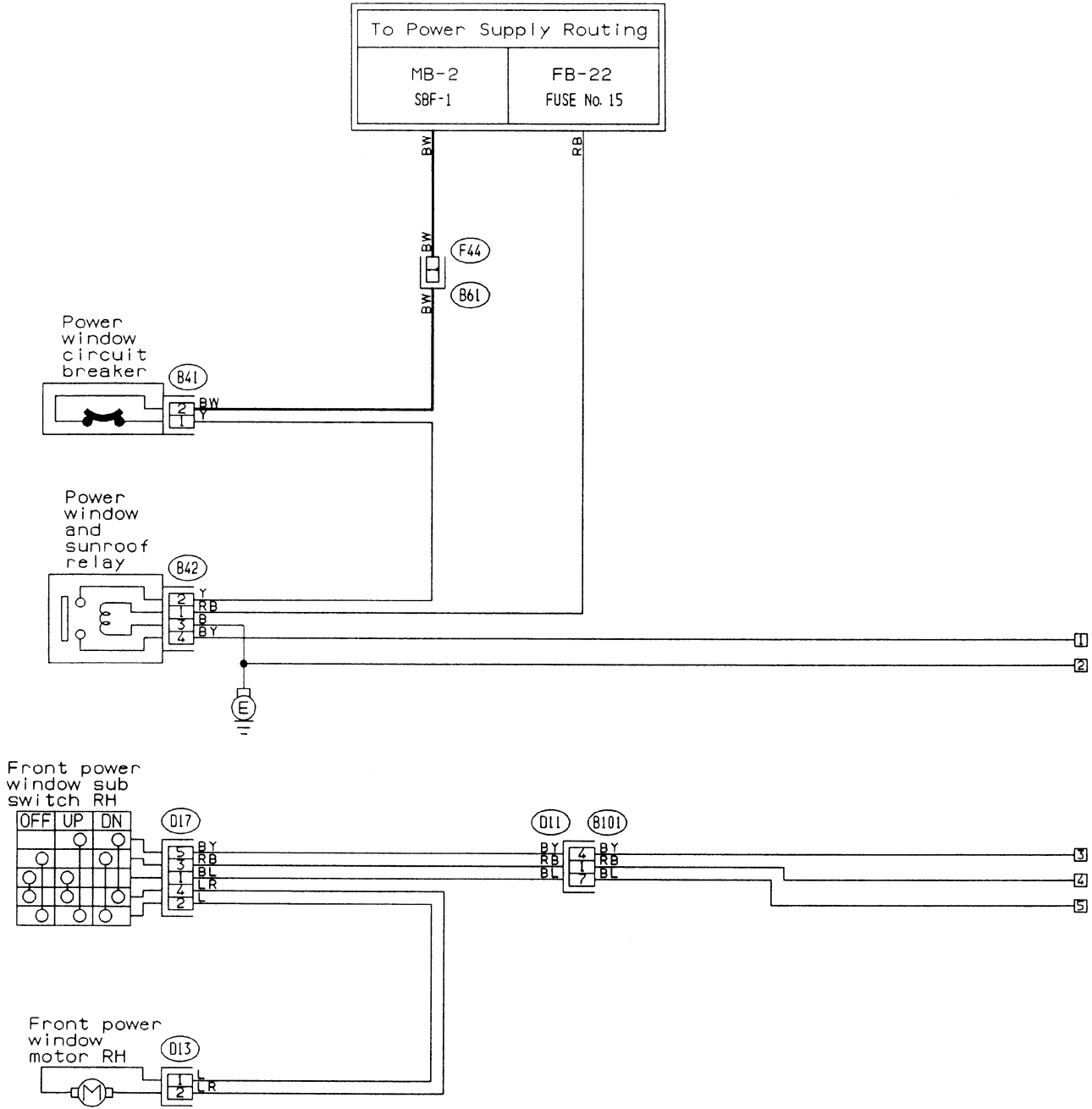
1 2 3 4 5 6 7 8 9 10
11 12 13 14 15 16 17 18 19 20

(i1) (Black)

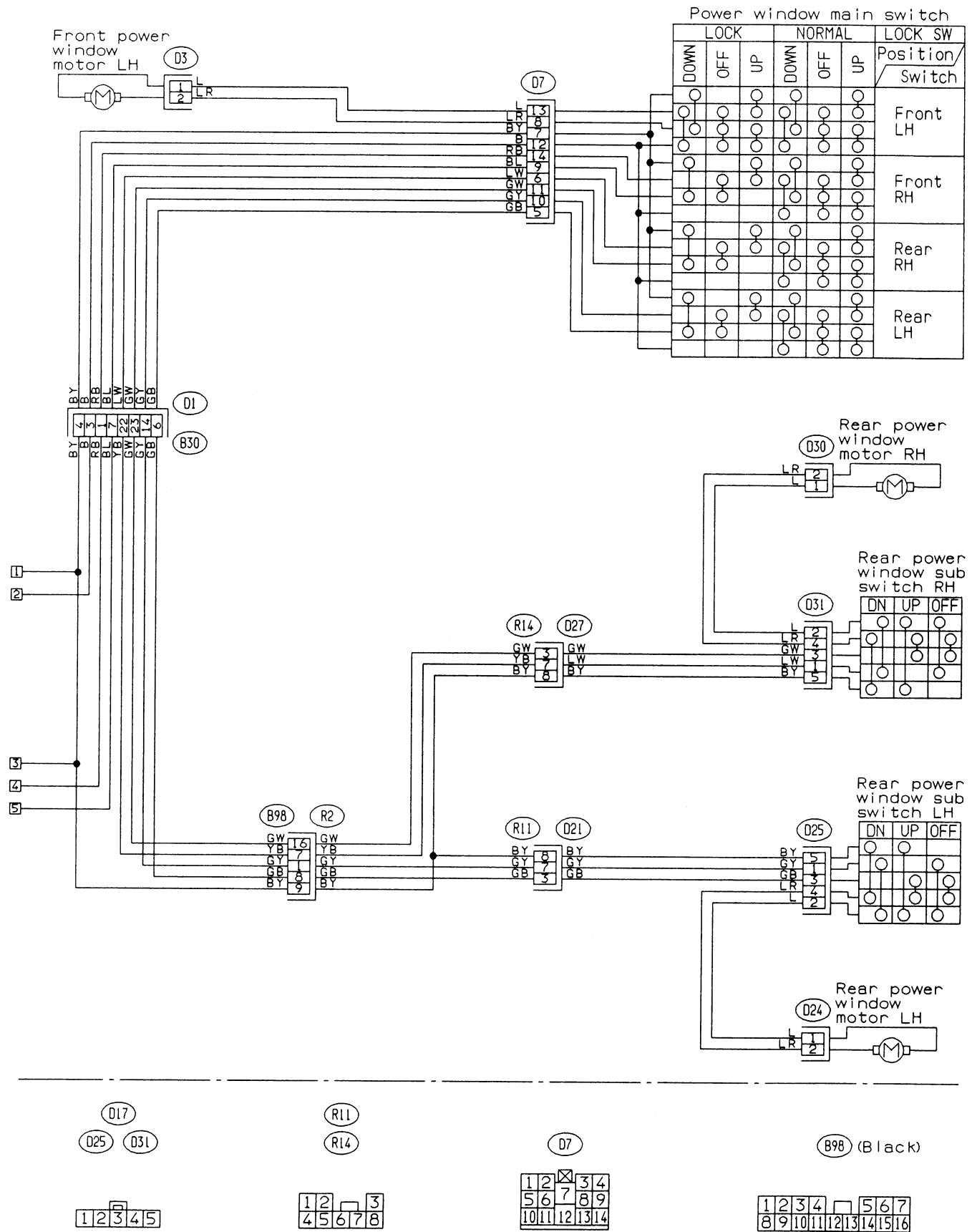
1 2 3 4 5 6 7 8 9 10
11 12 13 14 15 16 17 18 19 20 21 22

22. POWER WINDOW SYSTEM

● LHD model

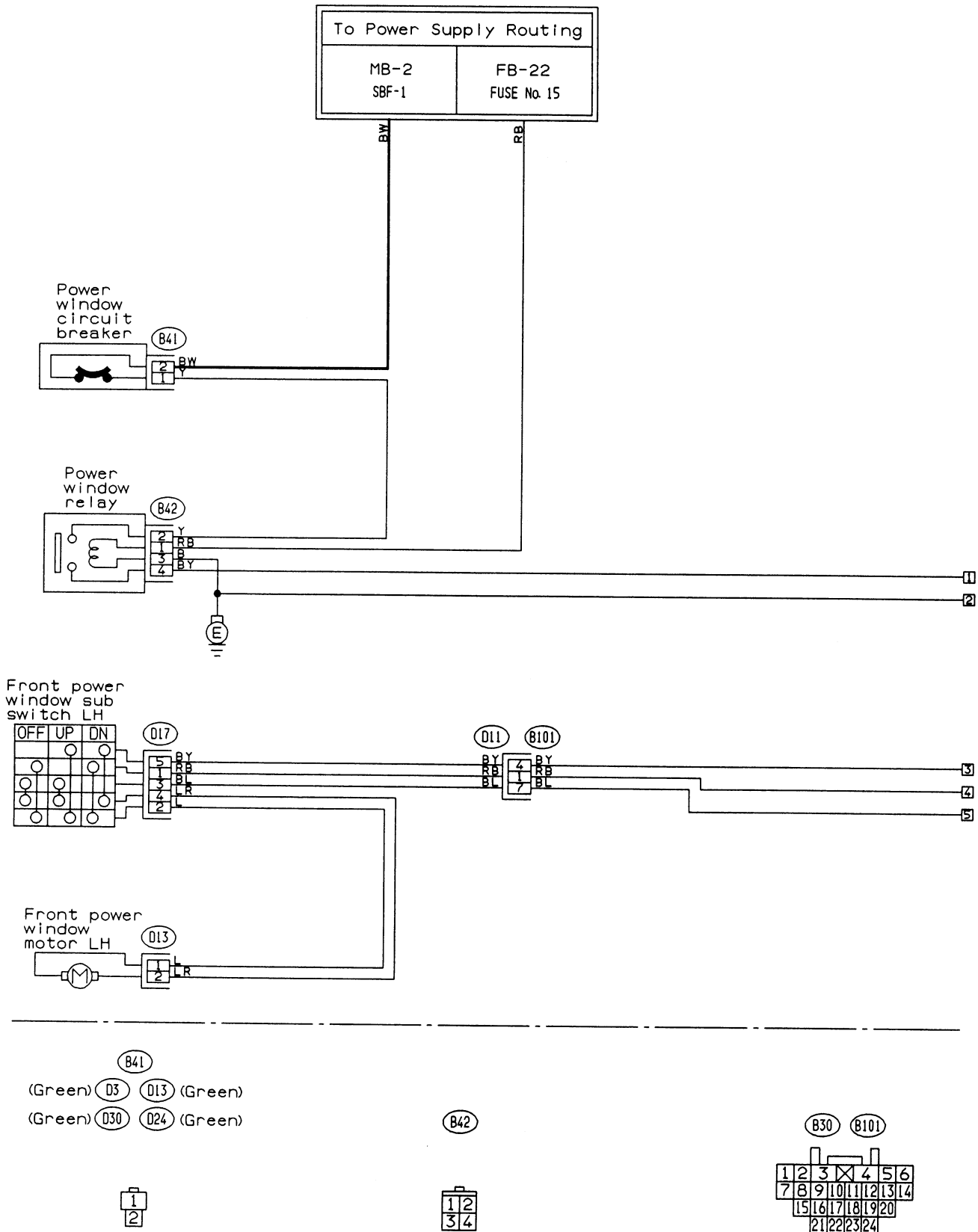


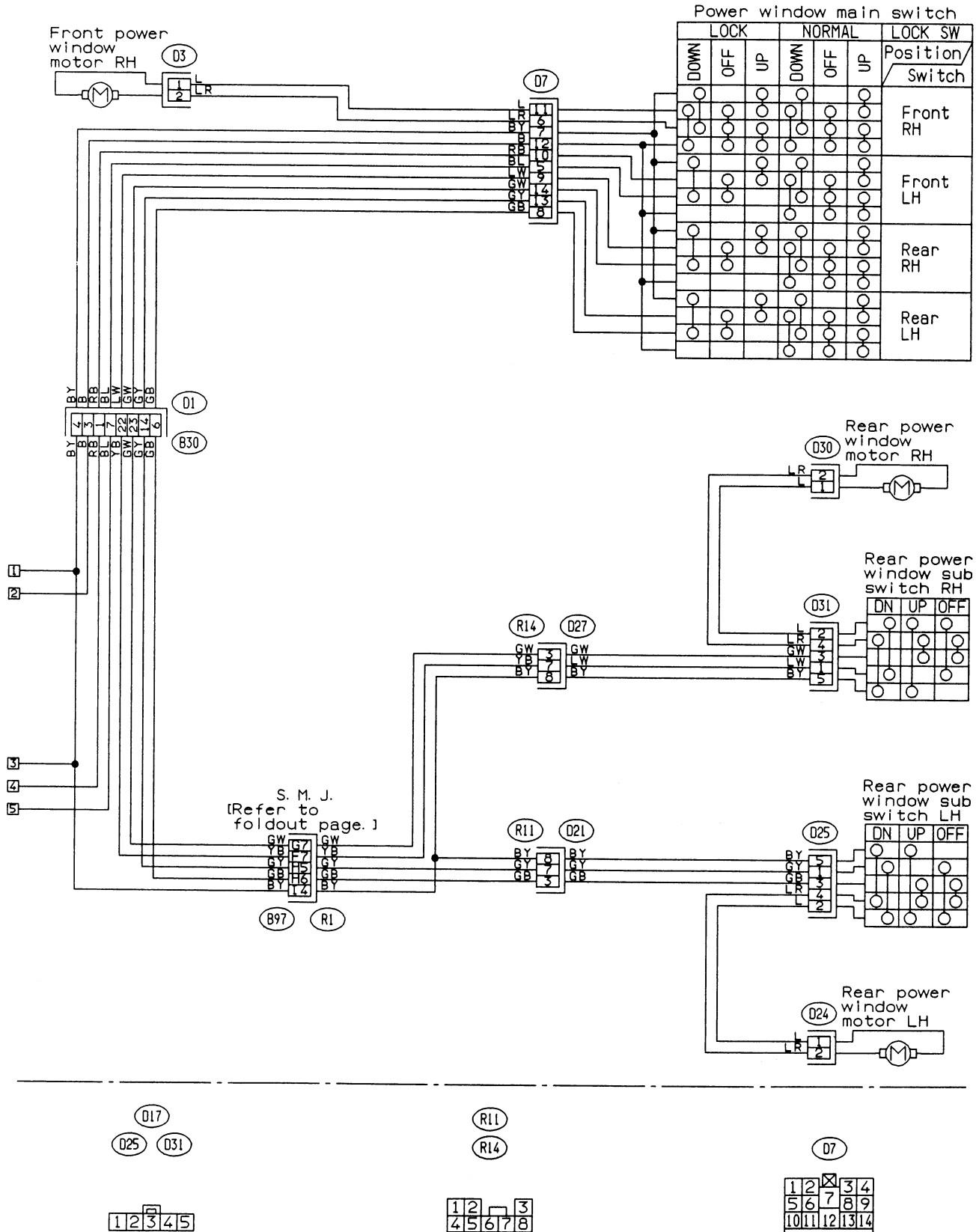
6. Wiring Diagram



22. POWER WINDOW SYSTEM

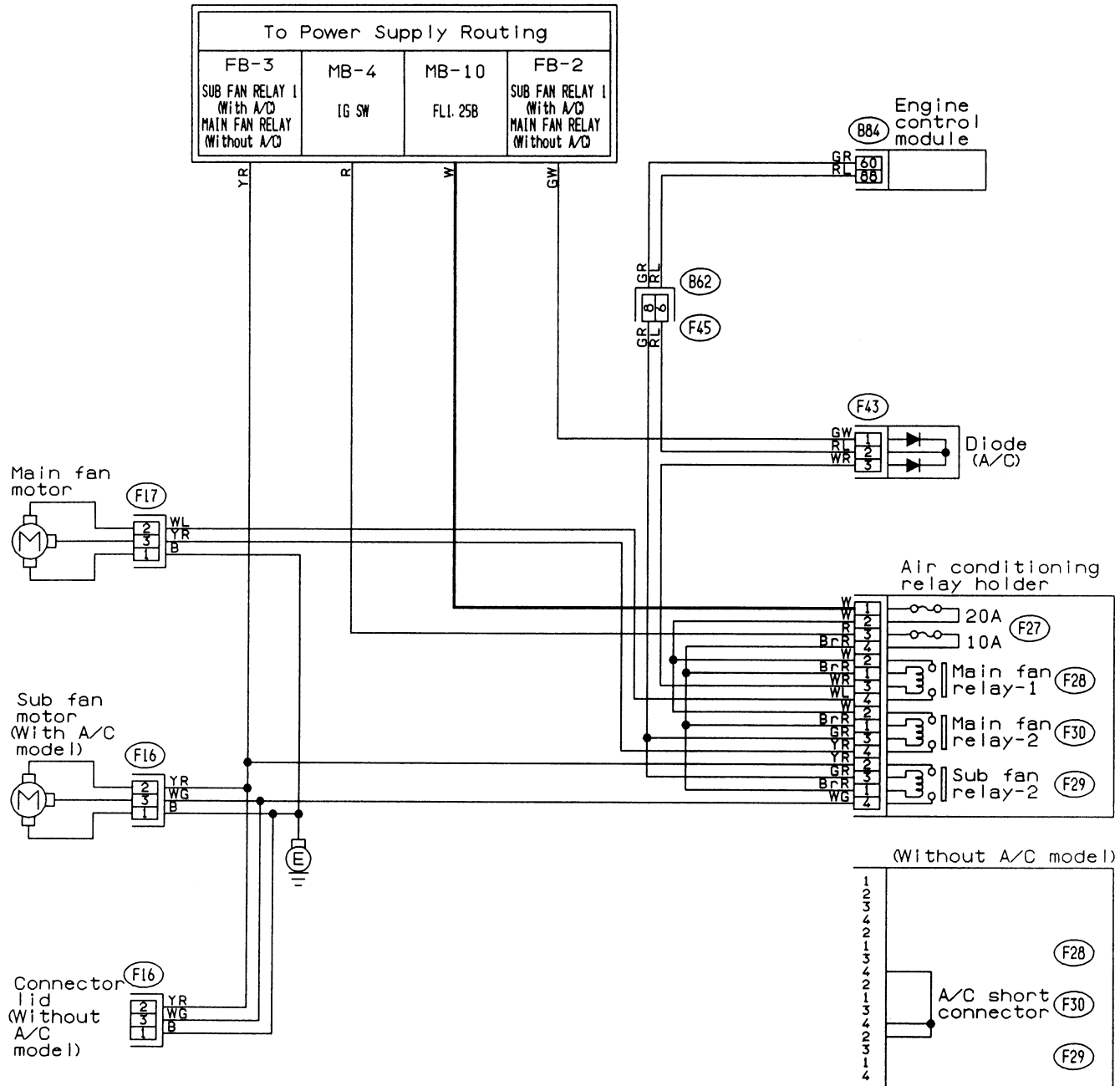
● RHD model





23. RADIATOR FAN SYSTEM

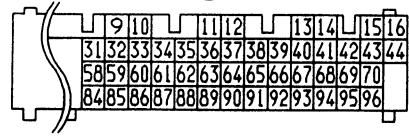
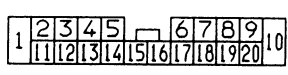
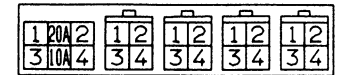
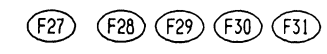
● LHD model



F43 (Orange) F16 (Black)
 F45 F17 (Black)

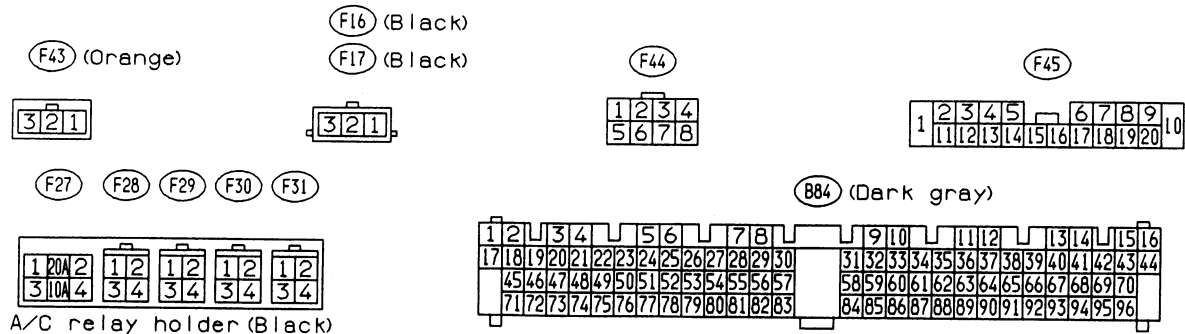
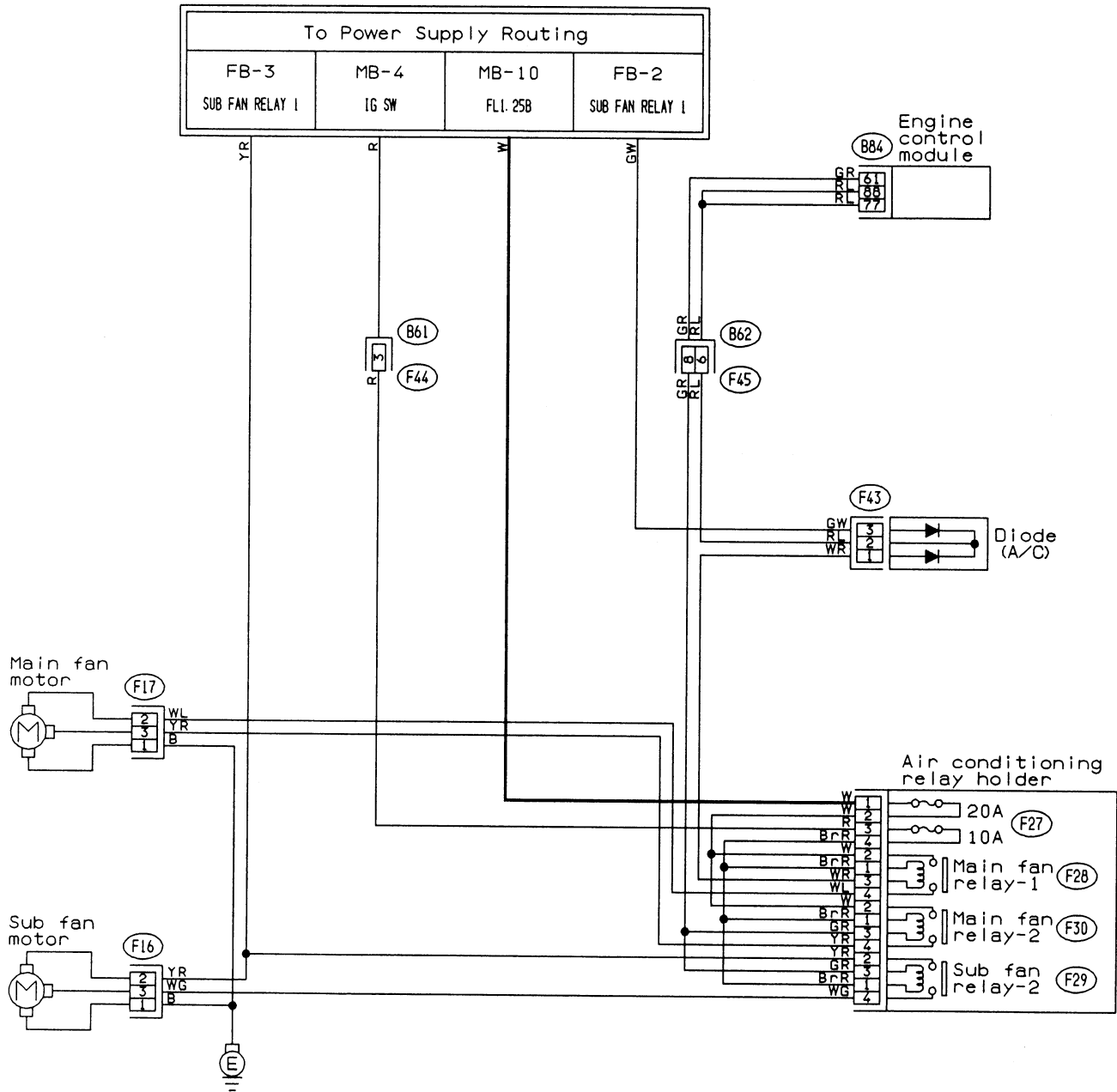


B84 (Dark gray)



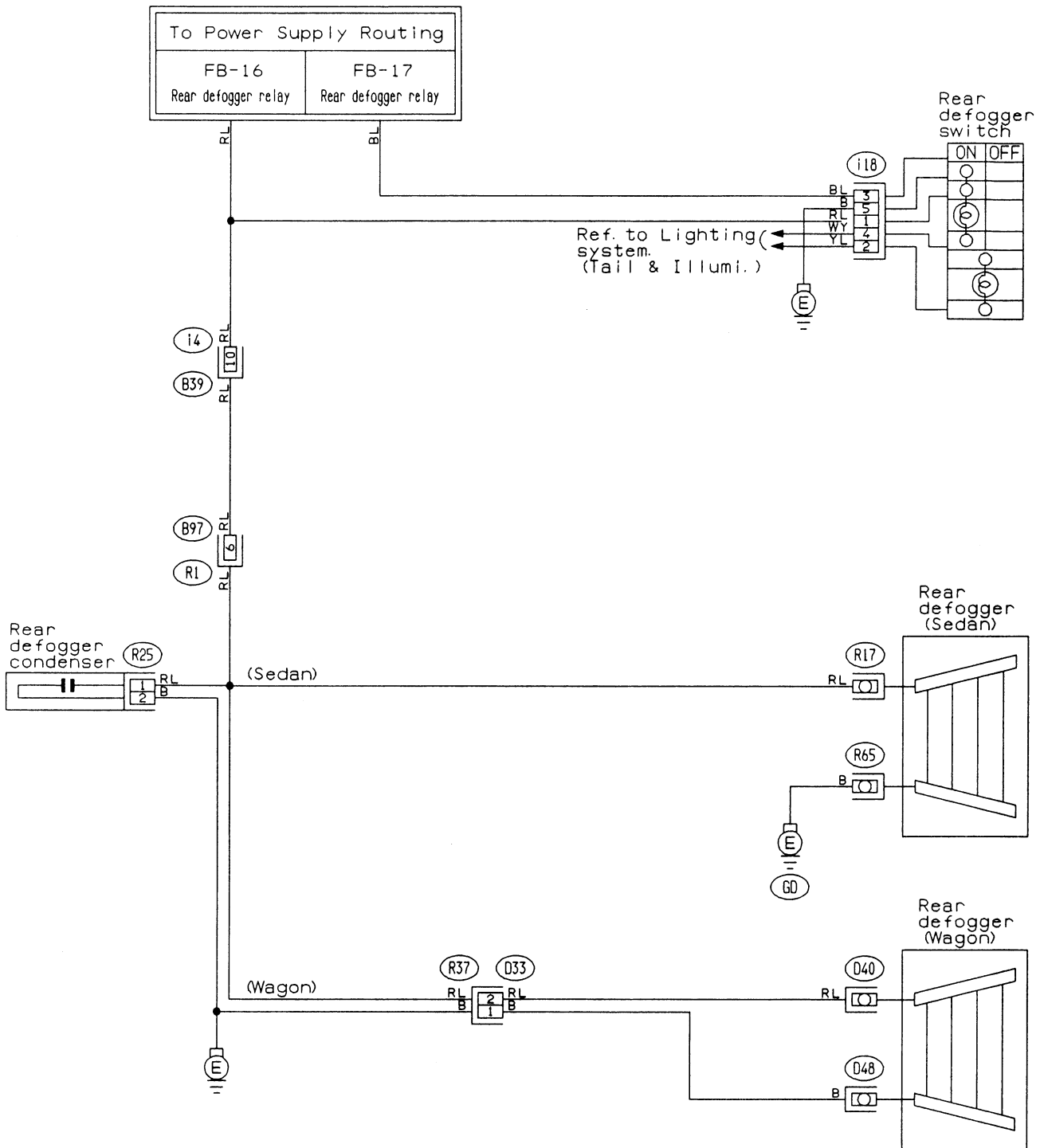
23. RADIATOR FAN SYSTEM

● RHD model



24. REAR WINDOW DEFOGGER SYSTEM

● LHD model



D33

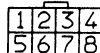
R25 (Black)



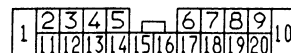
i18



B97

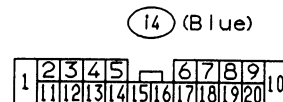
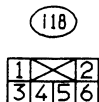
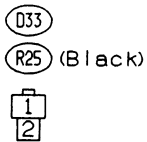
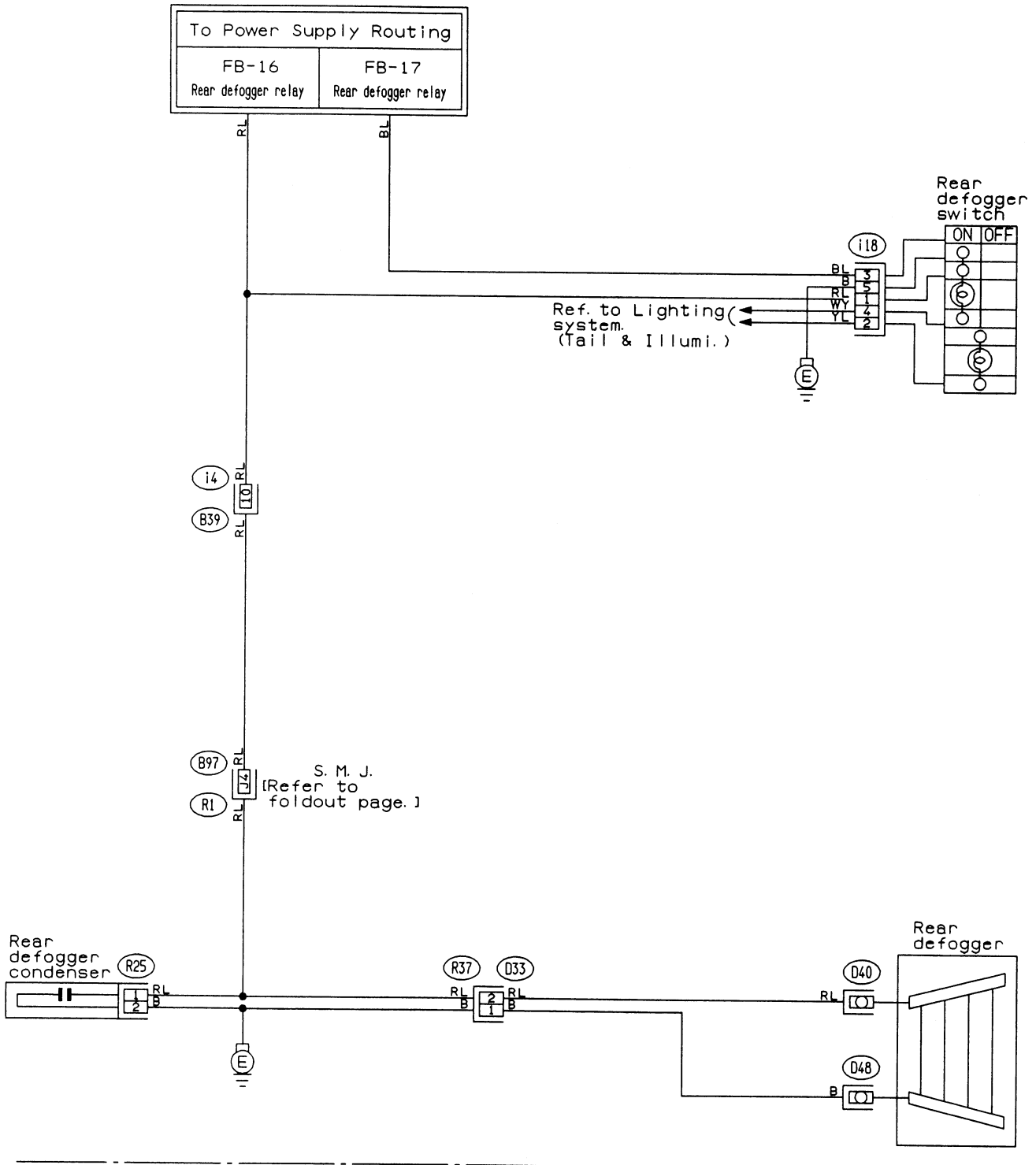


i4 (Blue)



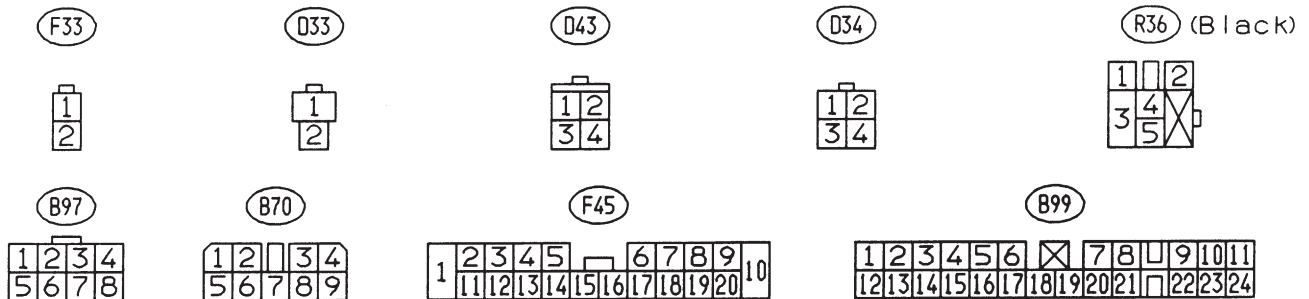
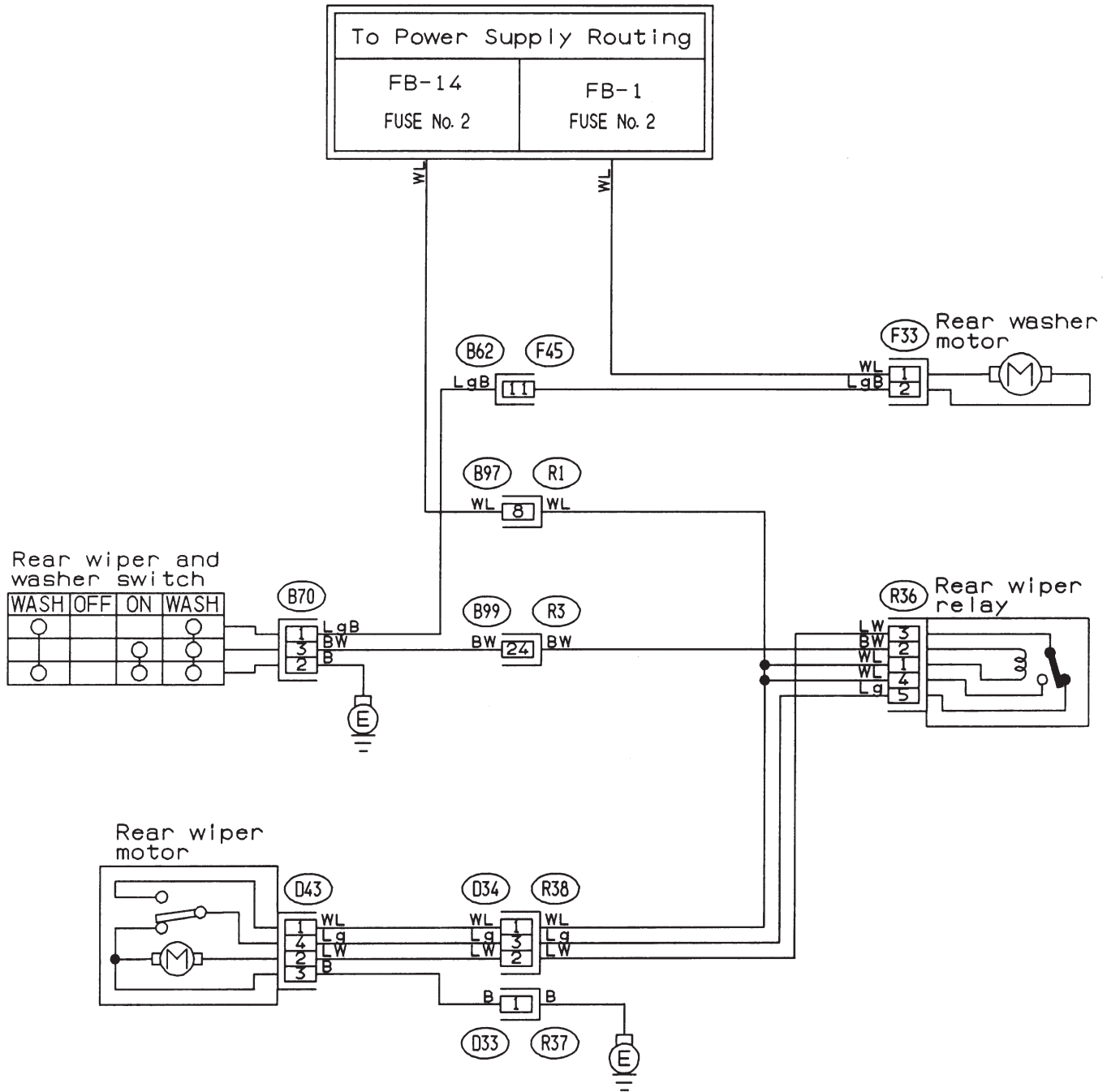
24. REAR WINDOW DEFOGGER SYSTEM

- RHD model



25. REAR WIPER AND WASHER SYSTEM

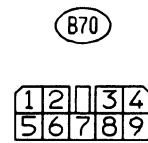
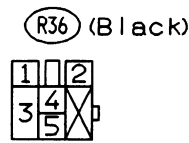
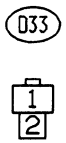
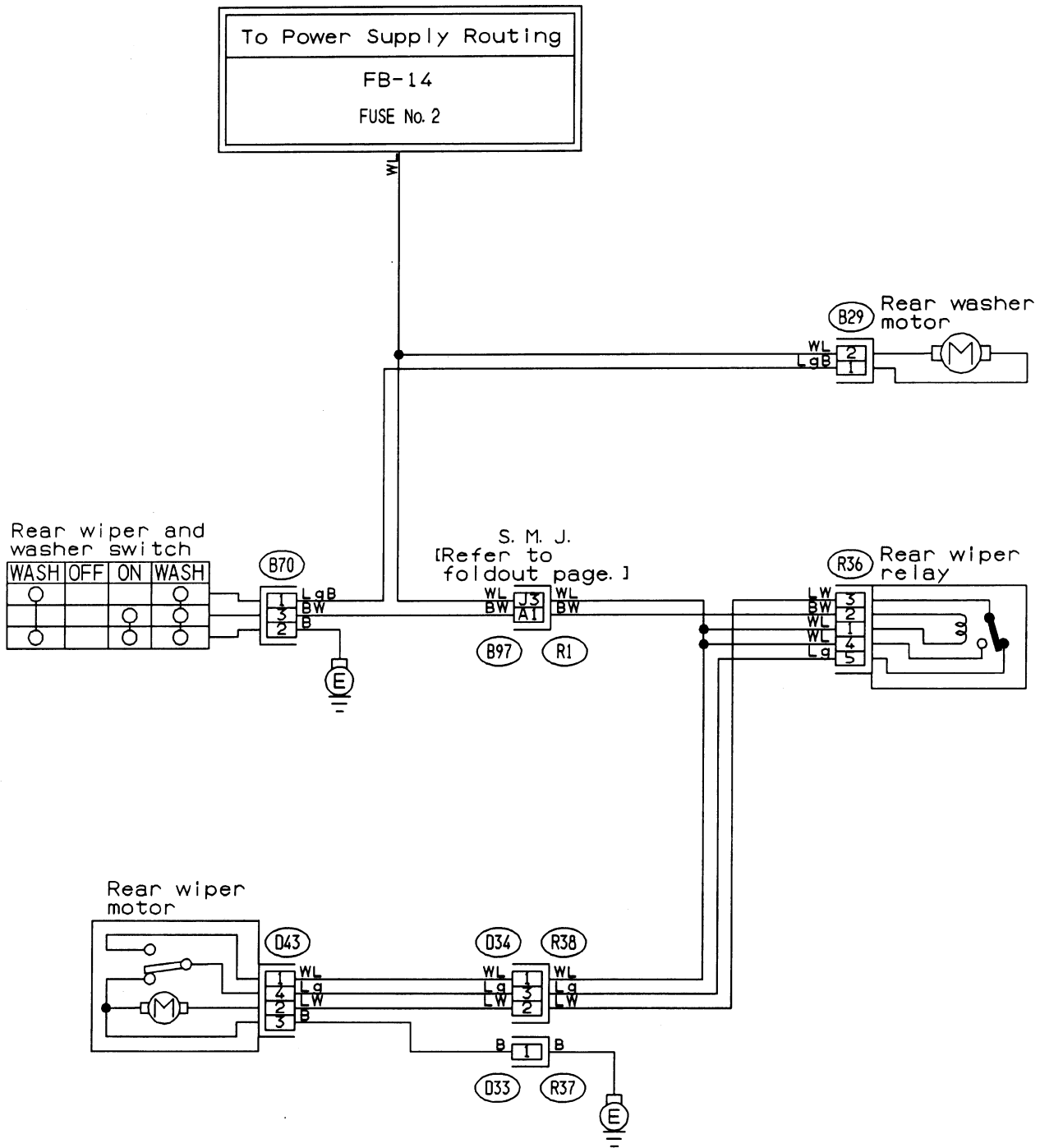
● LHD model



BU51-02

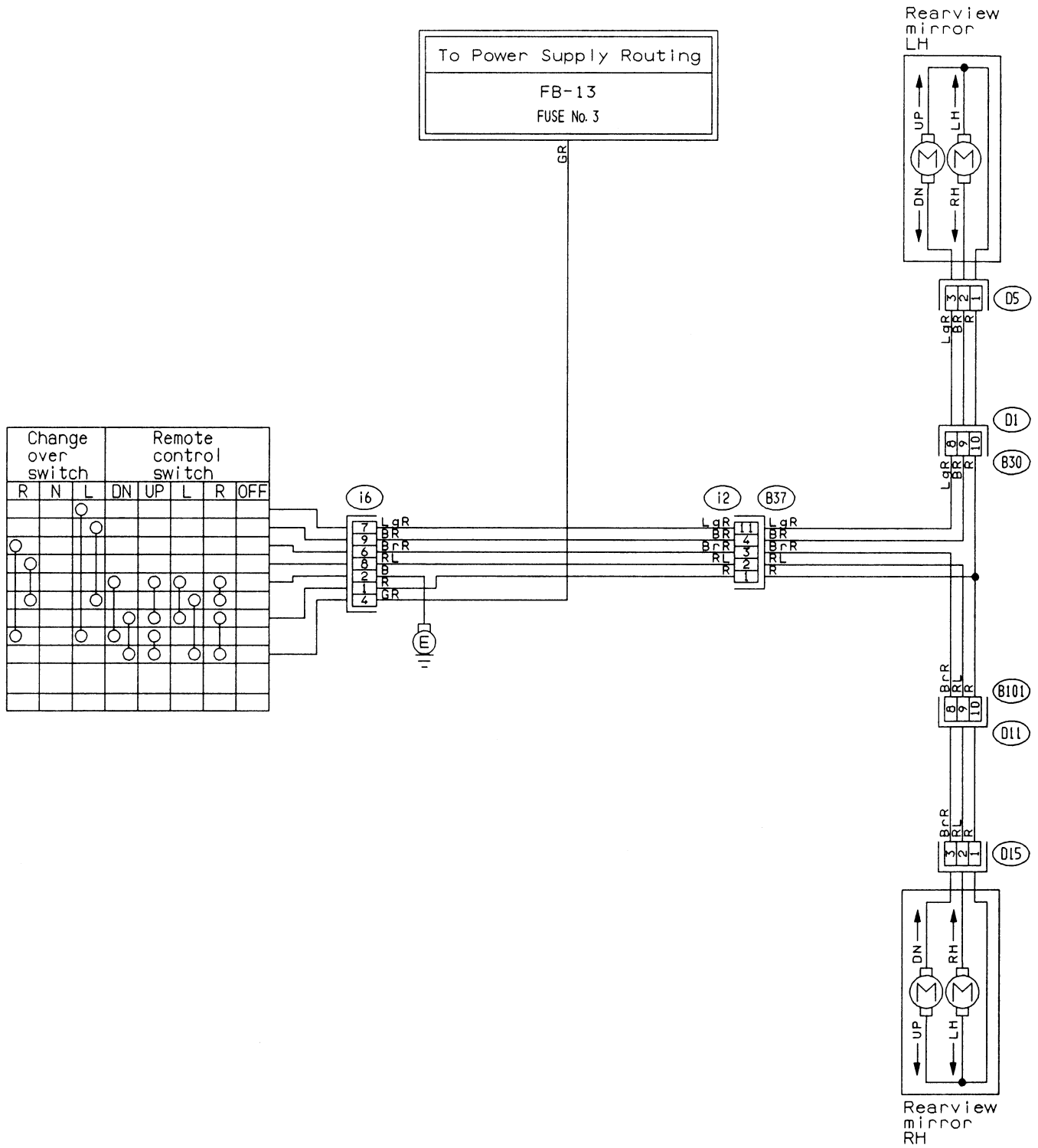
25. REAR WIPER AND WASHER SYSTEM

● RHD model



26. REMOTE CONTROL REARVIEW MIRROR SYSTEM

- LHD model

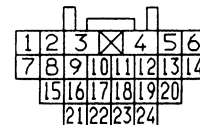
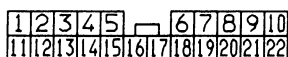
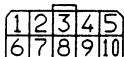


(D5) (D15)

(i6)

(i2)

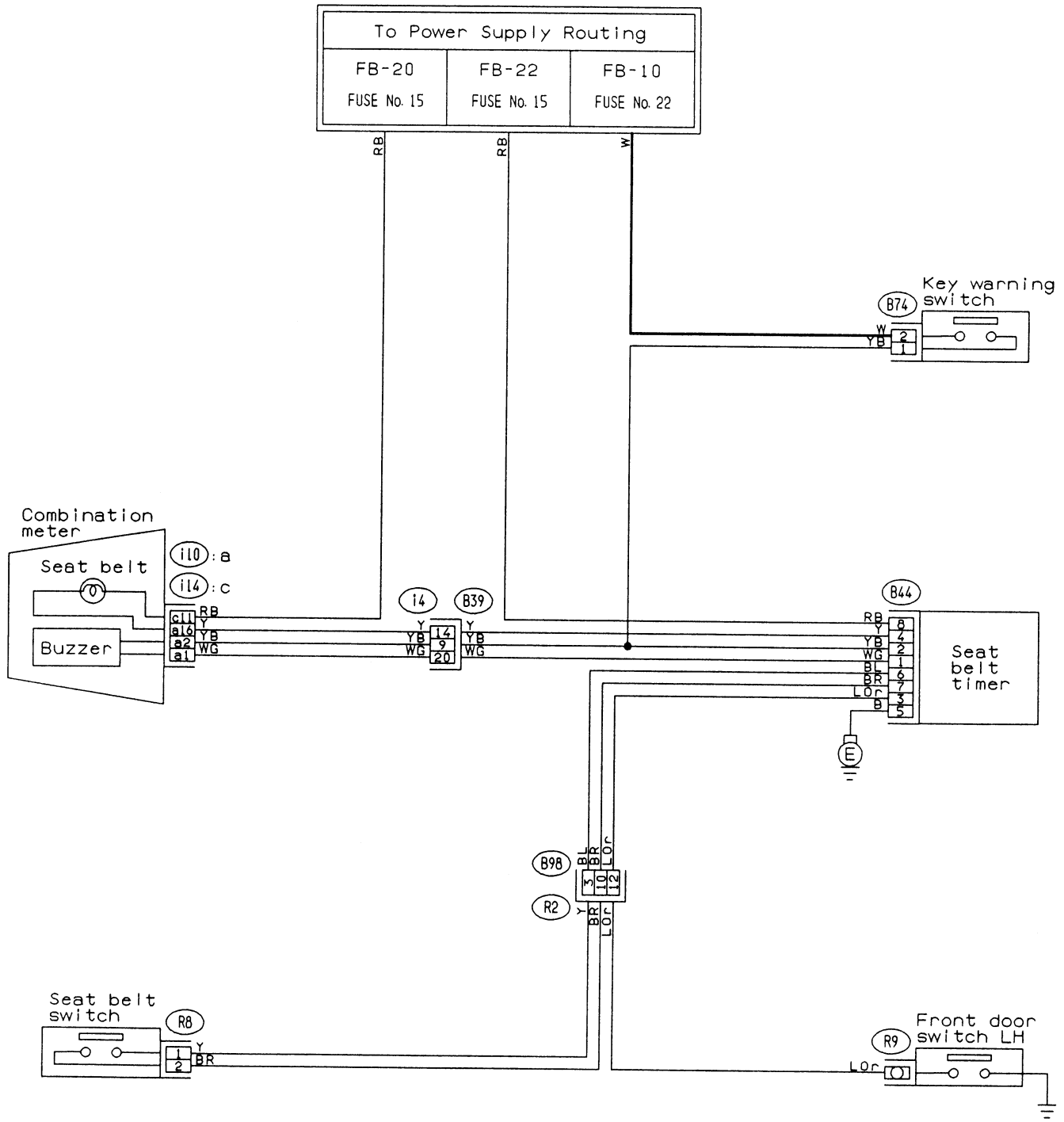
(B30) (B101)



BU79-01

27. SEAT BELT WARNING SYSTEM

● LHD model



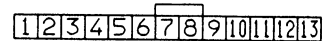
(R8) (B74) (Black)



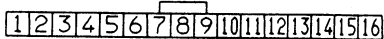
(B44)



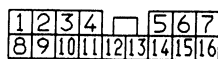
(i14)



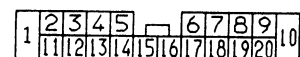
(i10) (Light gray)



(B98) (Black)

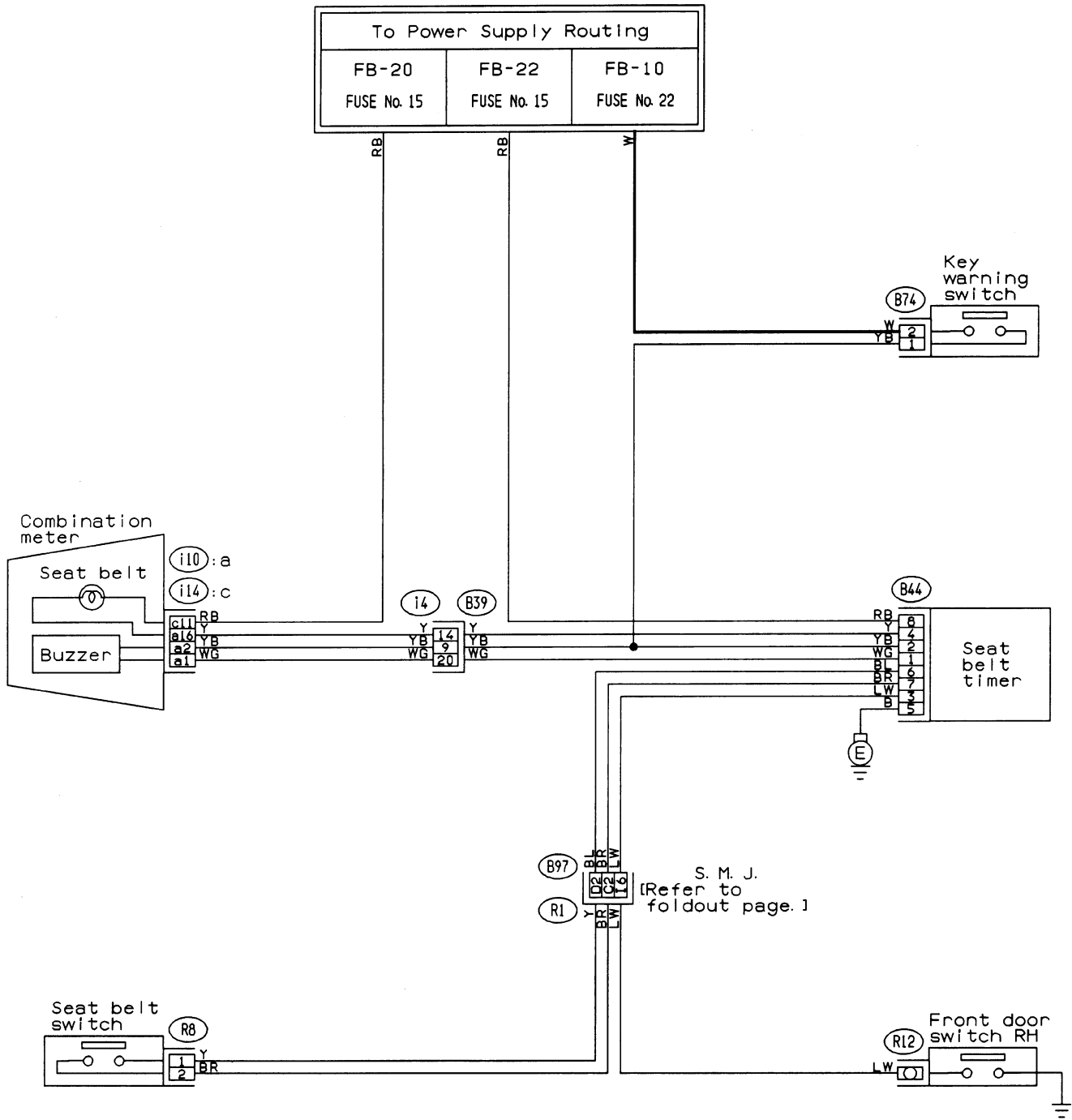


(i4) (Blue)



27. SEAT BELT WARNING SYSTEM

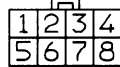
● RHD model



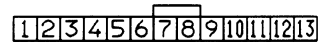
(R8) (B74) (Black)



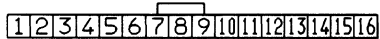
(B44)



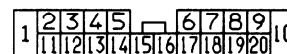
(i14)



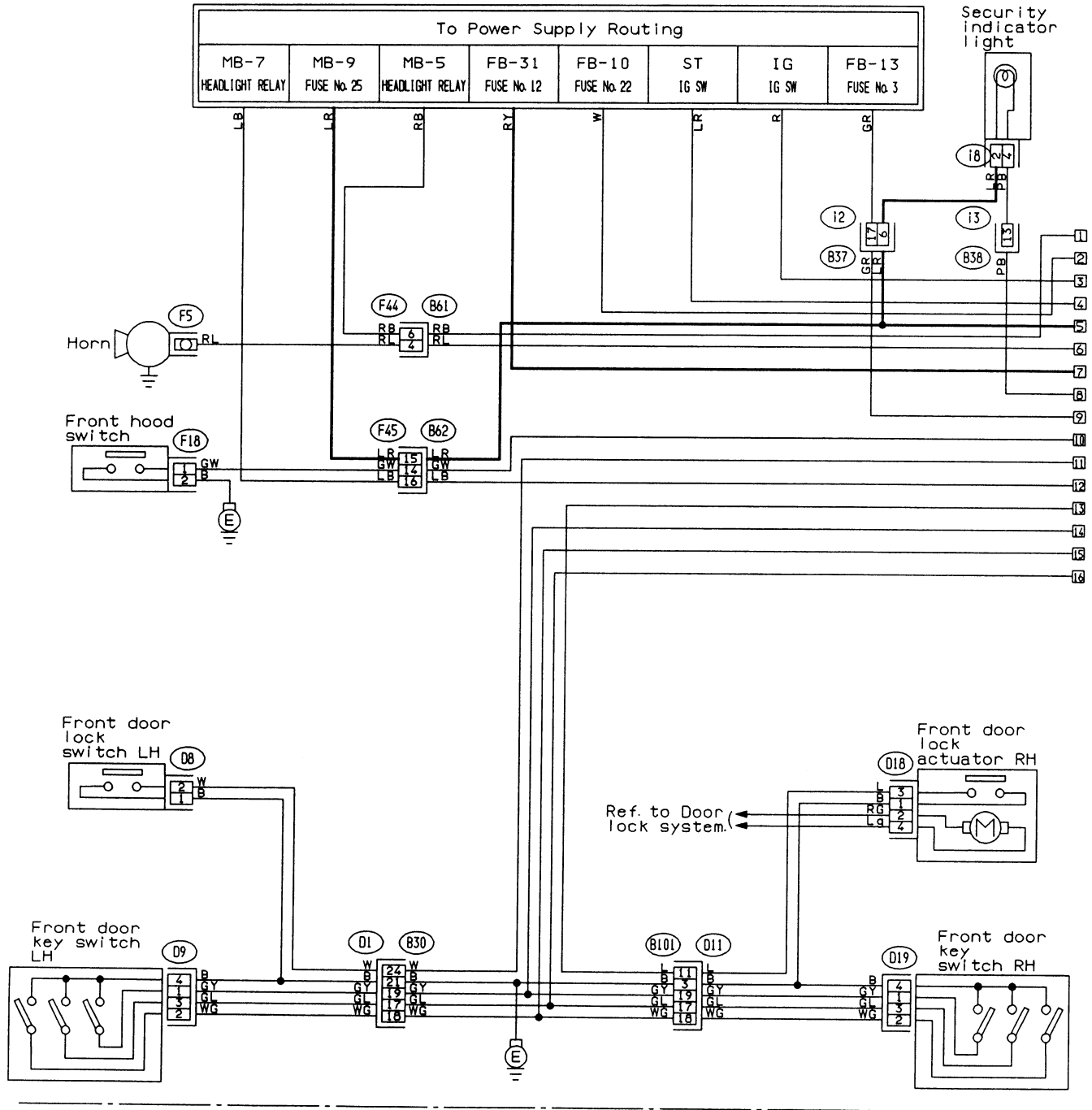
(i10) (Light gray)



(i4) (Blue)



28. SECURITY SYSTEM



(Gray) (R10) (R13) (F18) (D8) (Gray)

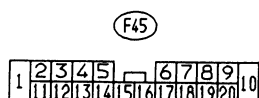
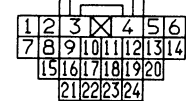
(Gray) (D9) (D19) (Gray)

(Brown) (i8) (D18) (Gray)

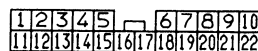
(Gray) (D26) (D32) (Gray)

(Gray) (D41) (D47) (Gray)

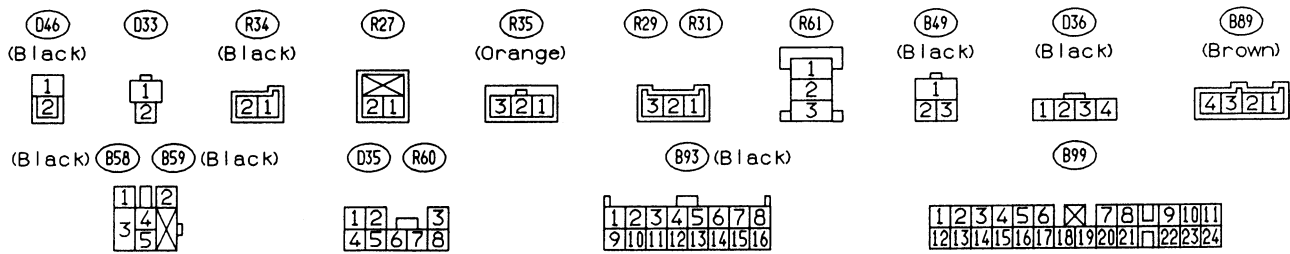
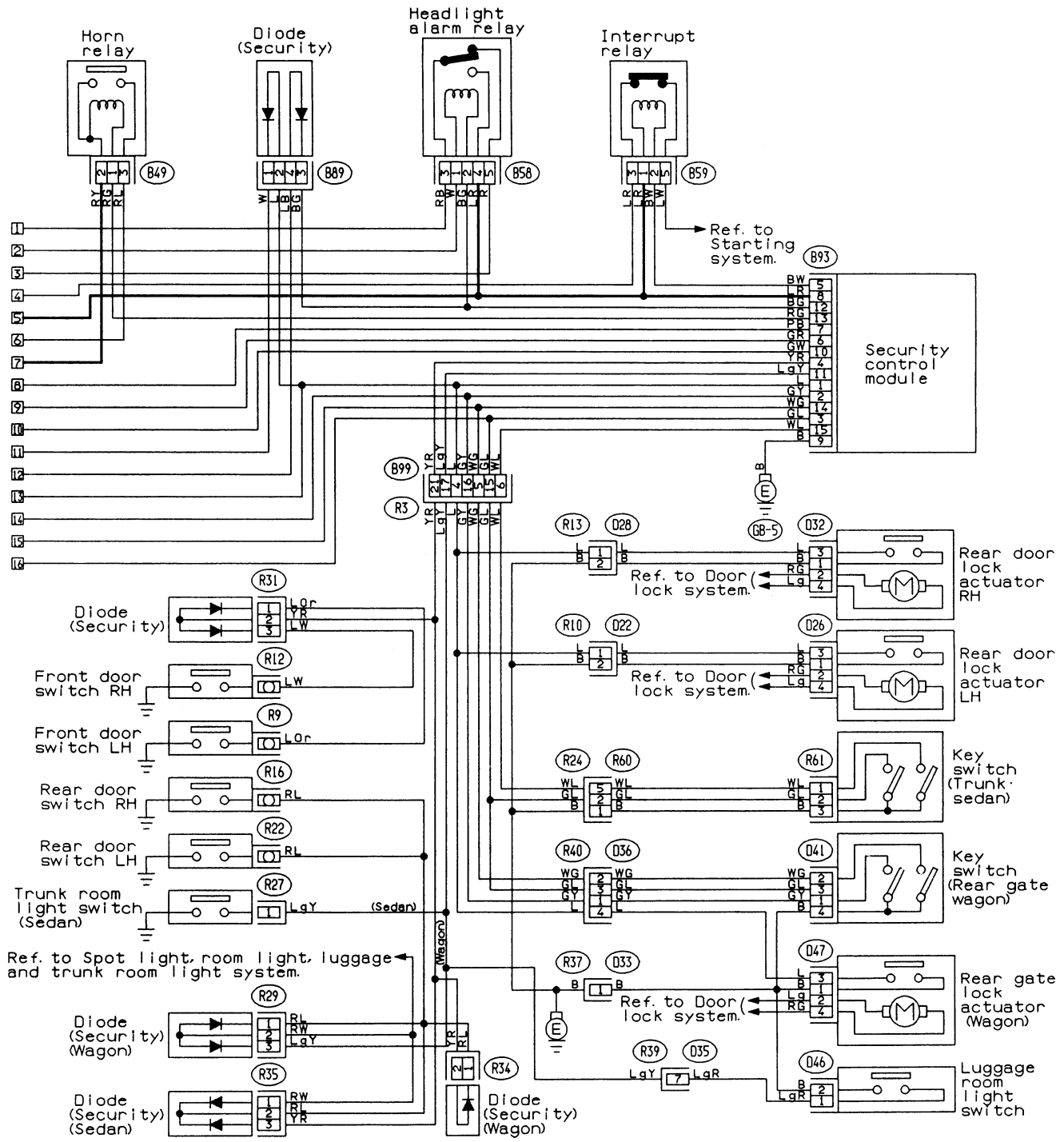
(B30) (B101)



(i2) (i3) (Brown)

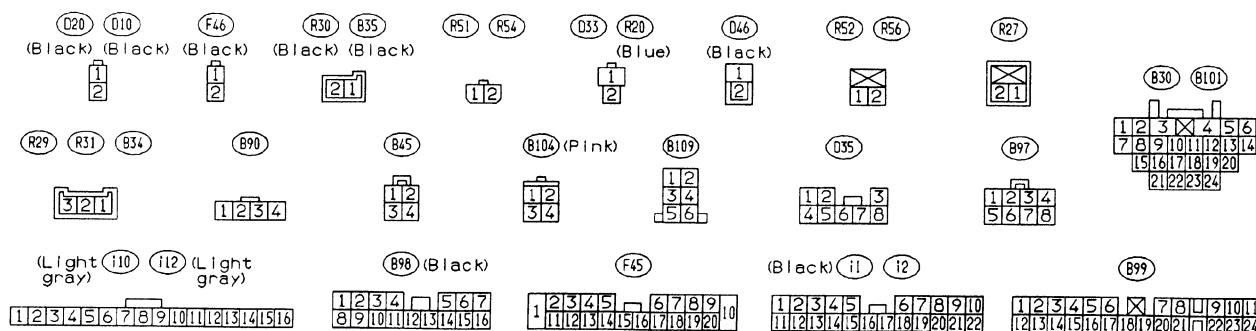
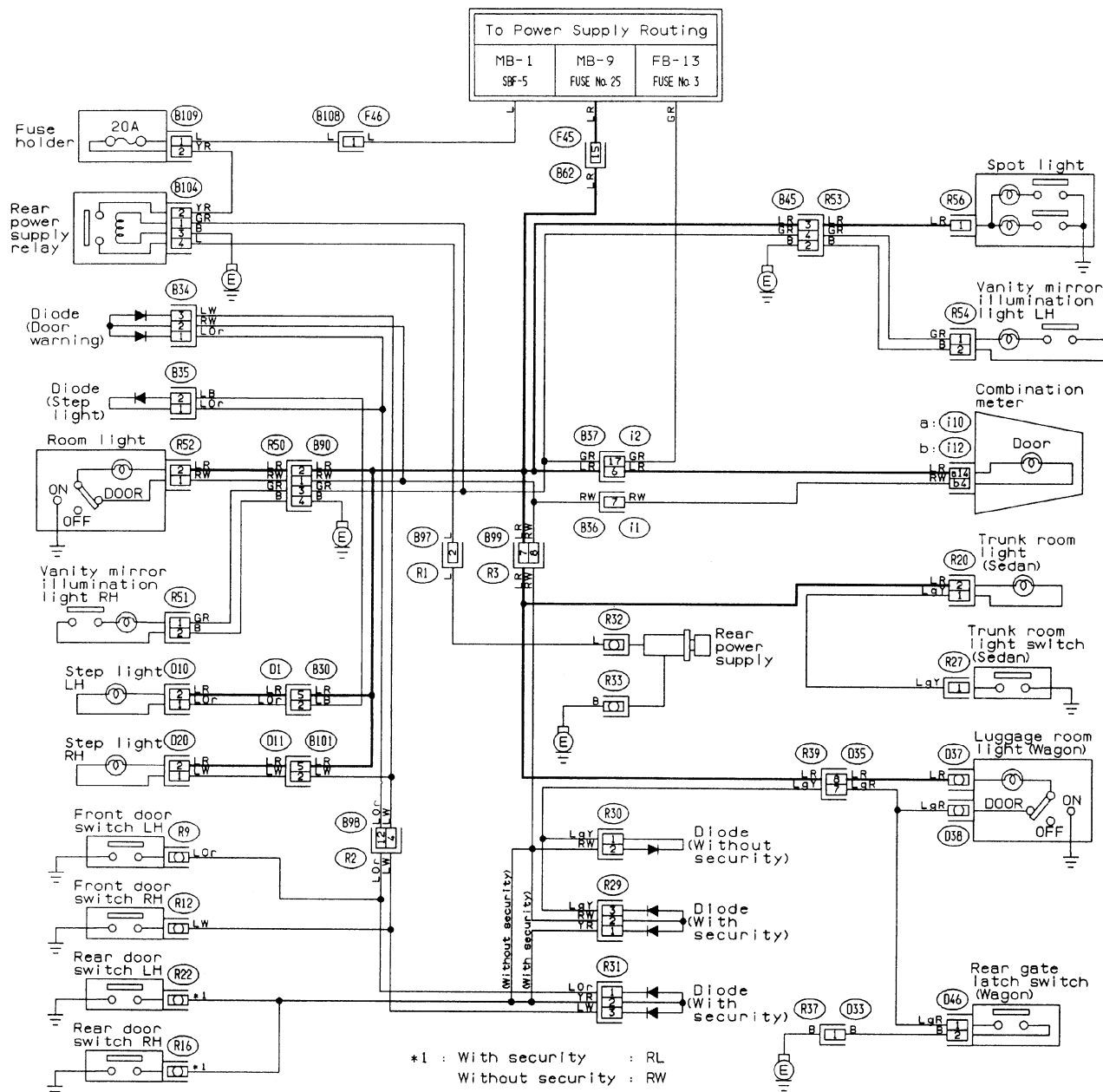


6. Wiring Diagram



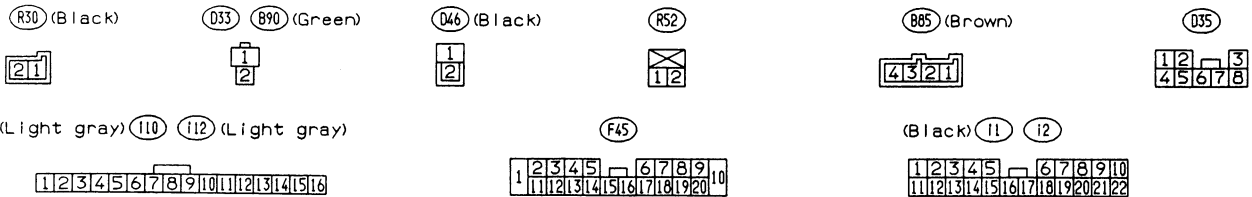
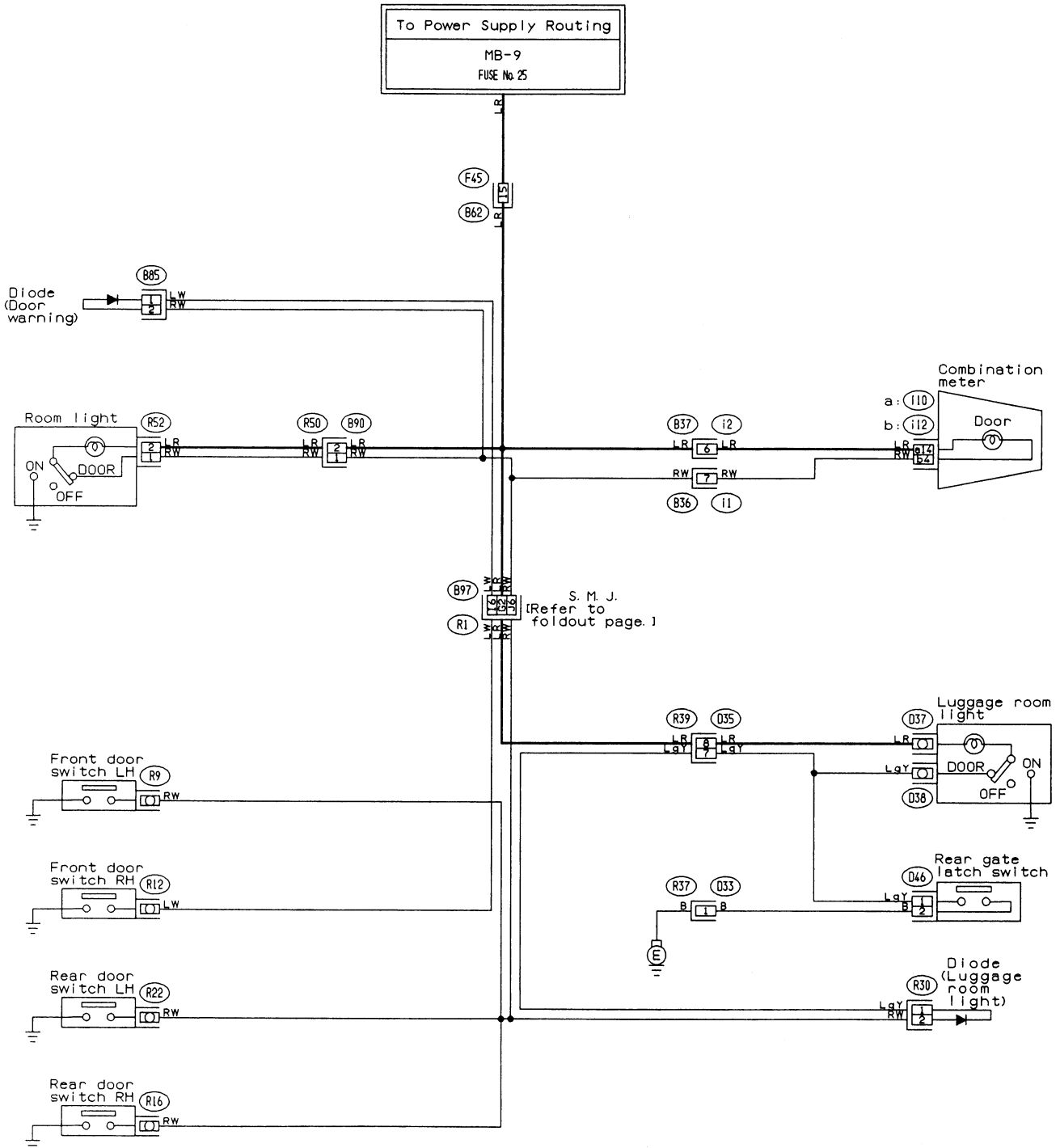
29. SPOT LIGHT, ROOM LIGHT, LUGGAGE AND TRUNK ROOM LIGHT SYSTEM

● LHD model

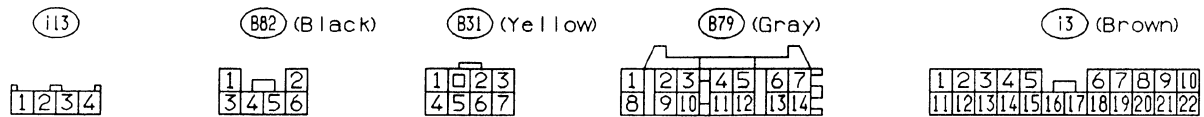
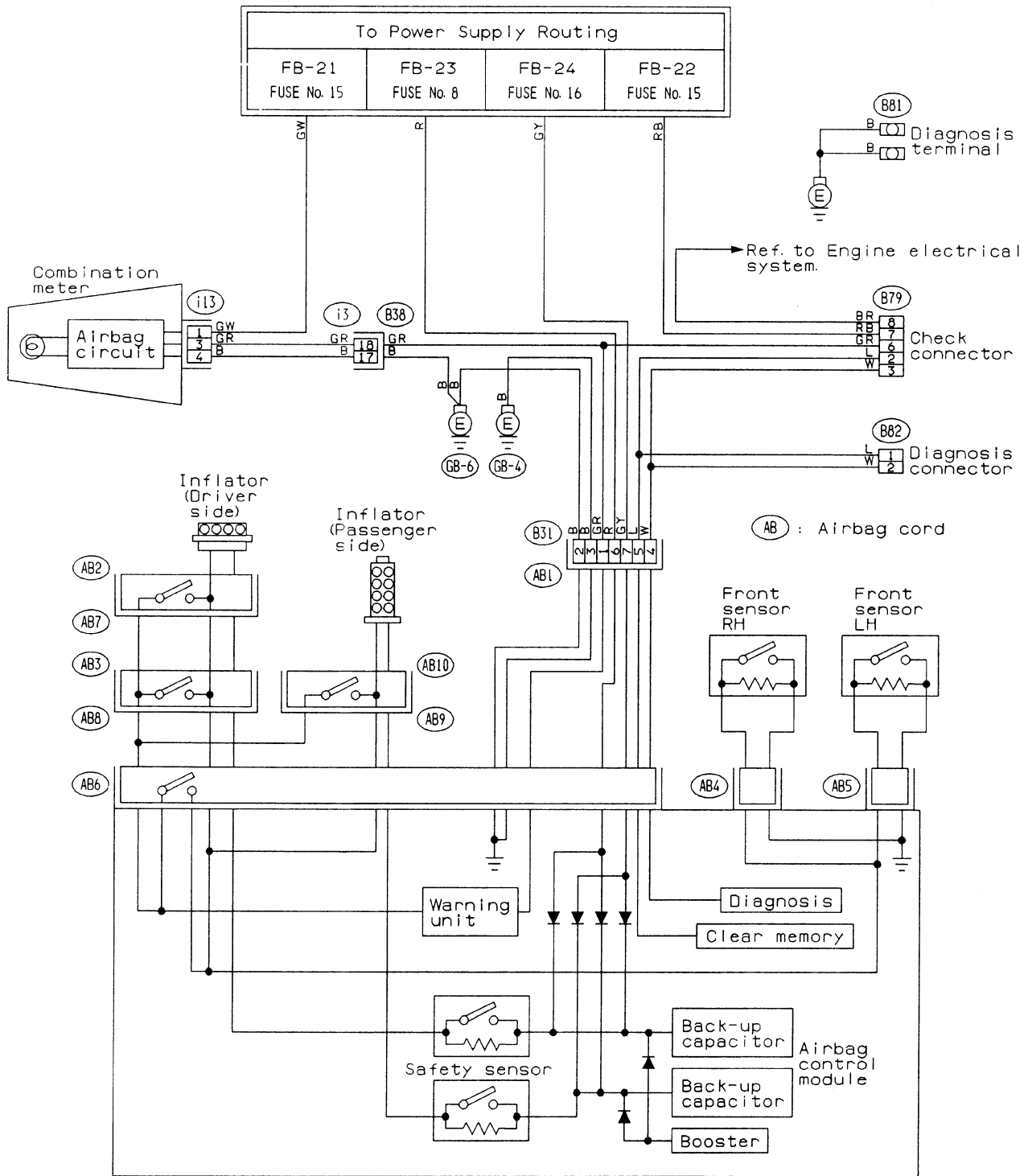


29. SPOT LIGHT, ROOM LIGHT, LUGGAGE AND TRUNK ROOM LIGHT SYSTEM

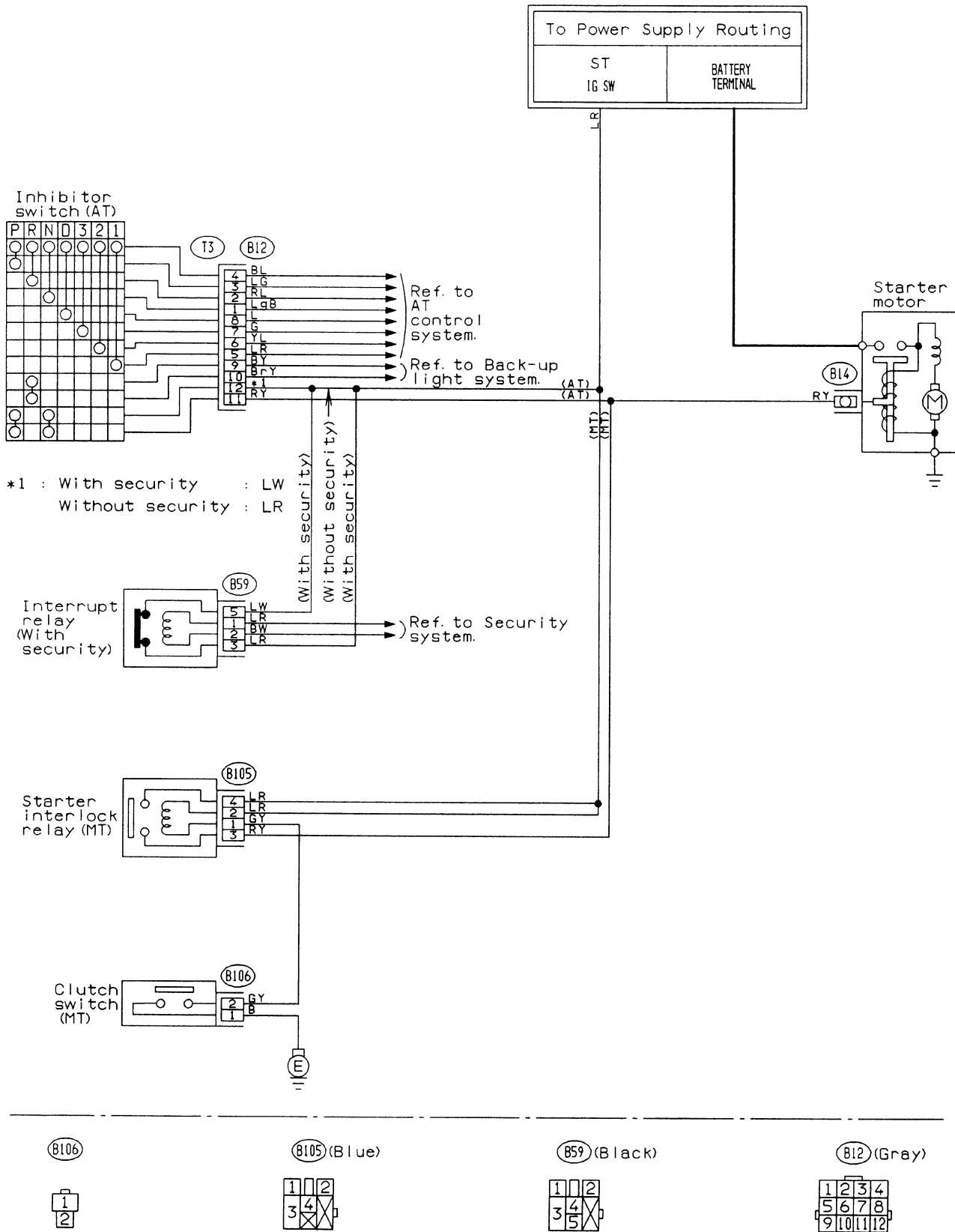
● RHD model



30. SRS (AIRBAG SYSTEM)

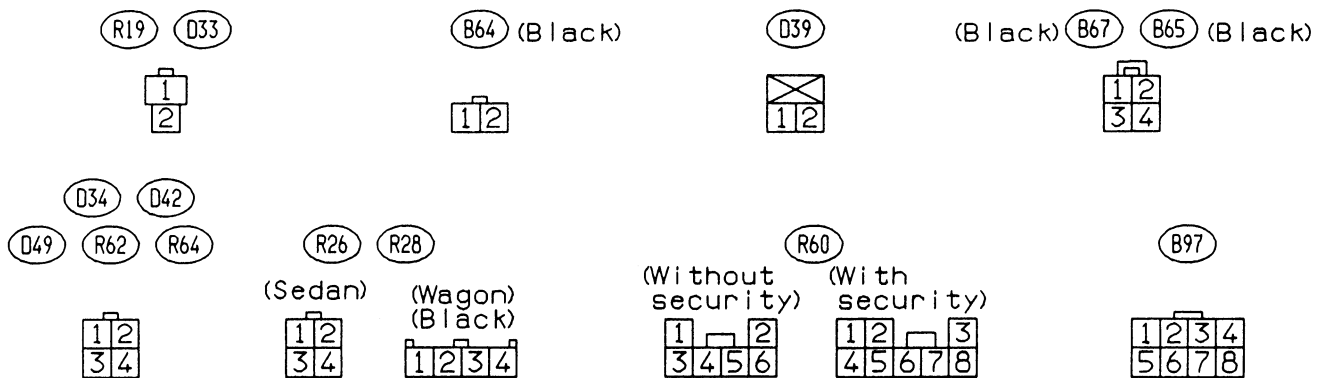
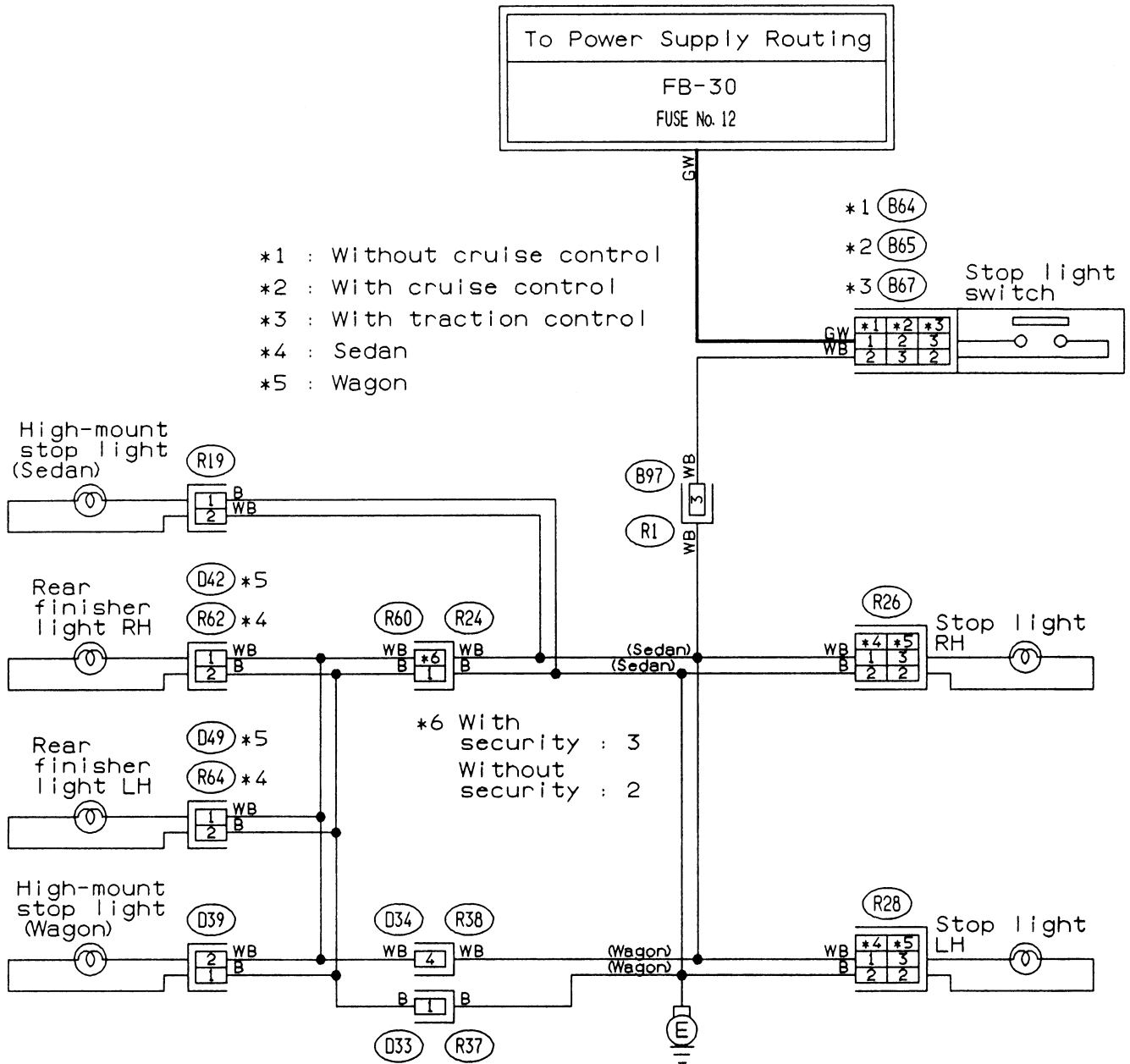


31. STARTING SYSTEM



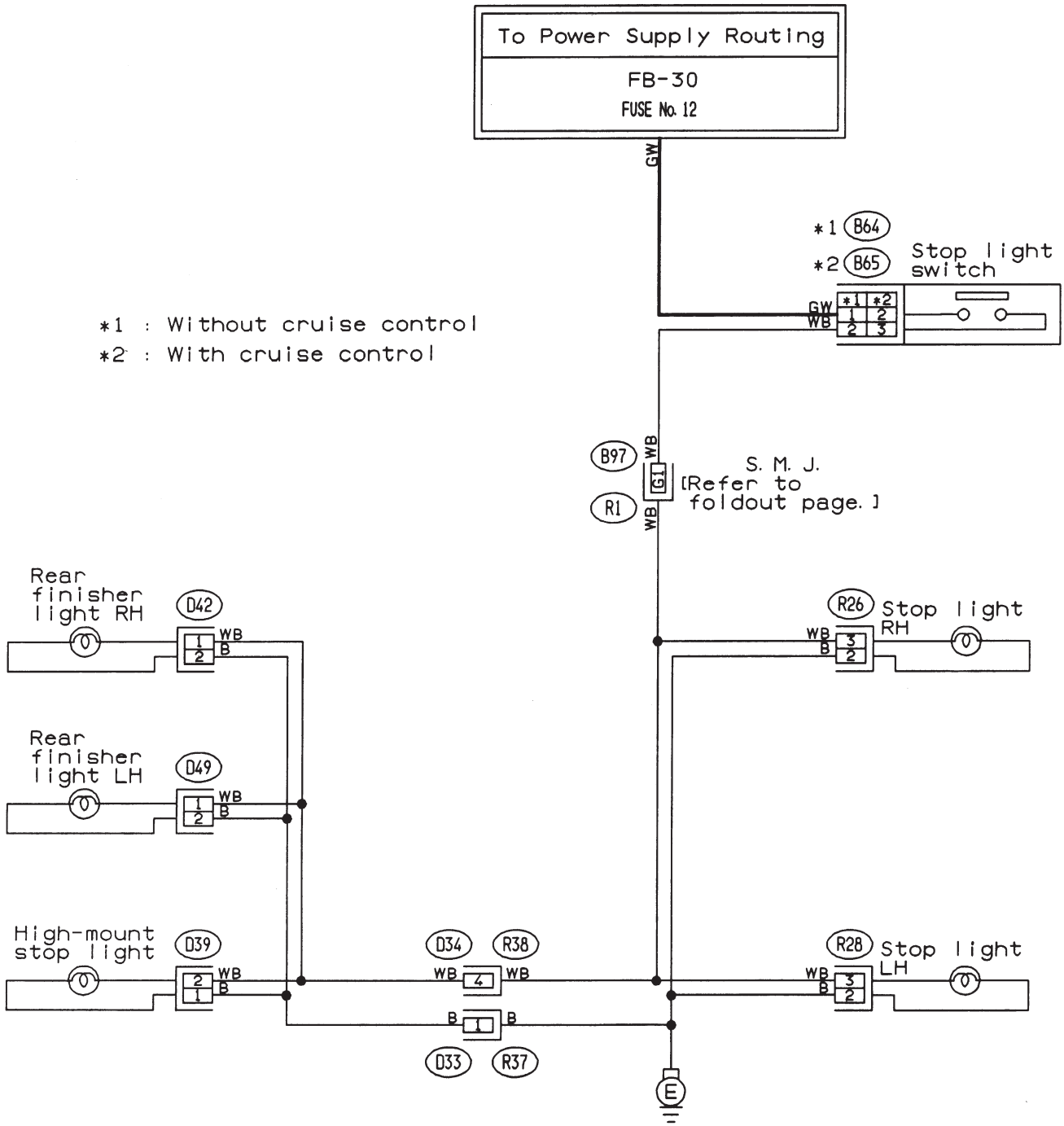
32. STOP LIGHT SYSTEM

● LHD model



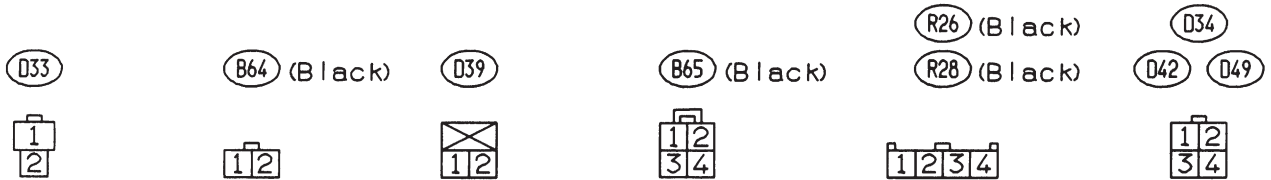
32. STOP LIGHT SYSTEM

● RHD model



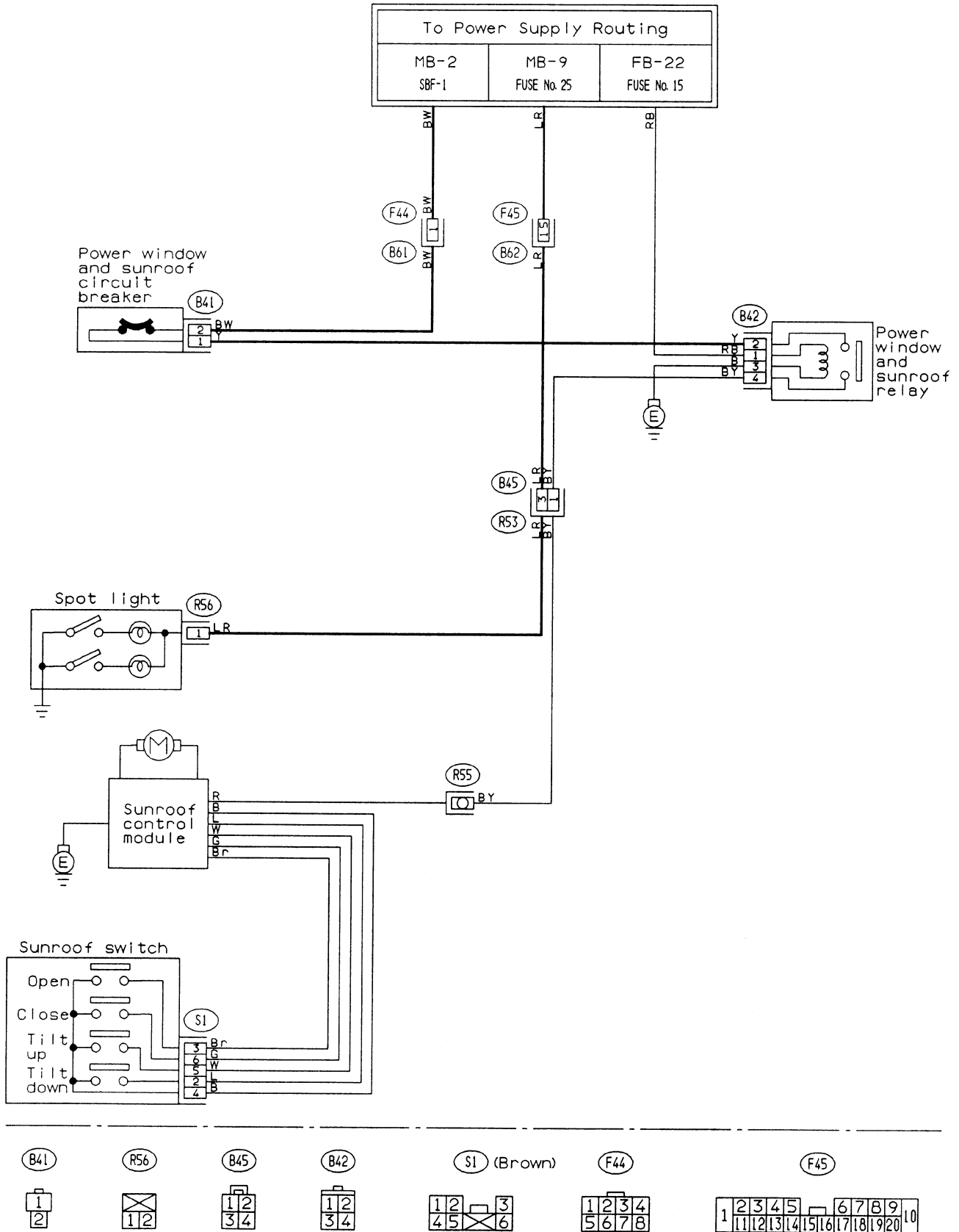
*1 : Without cruise control
*2 : With cruise control

B97 WB
R1 WB
S. M. J.
[Refer to foldout page.]

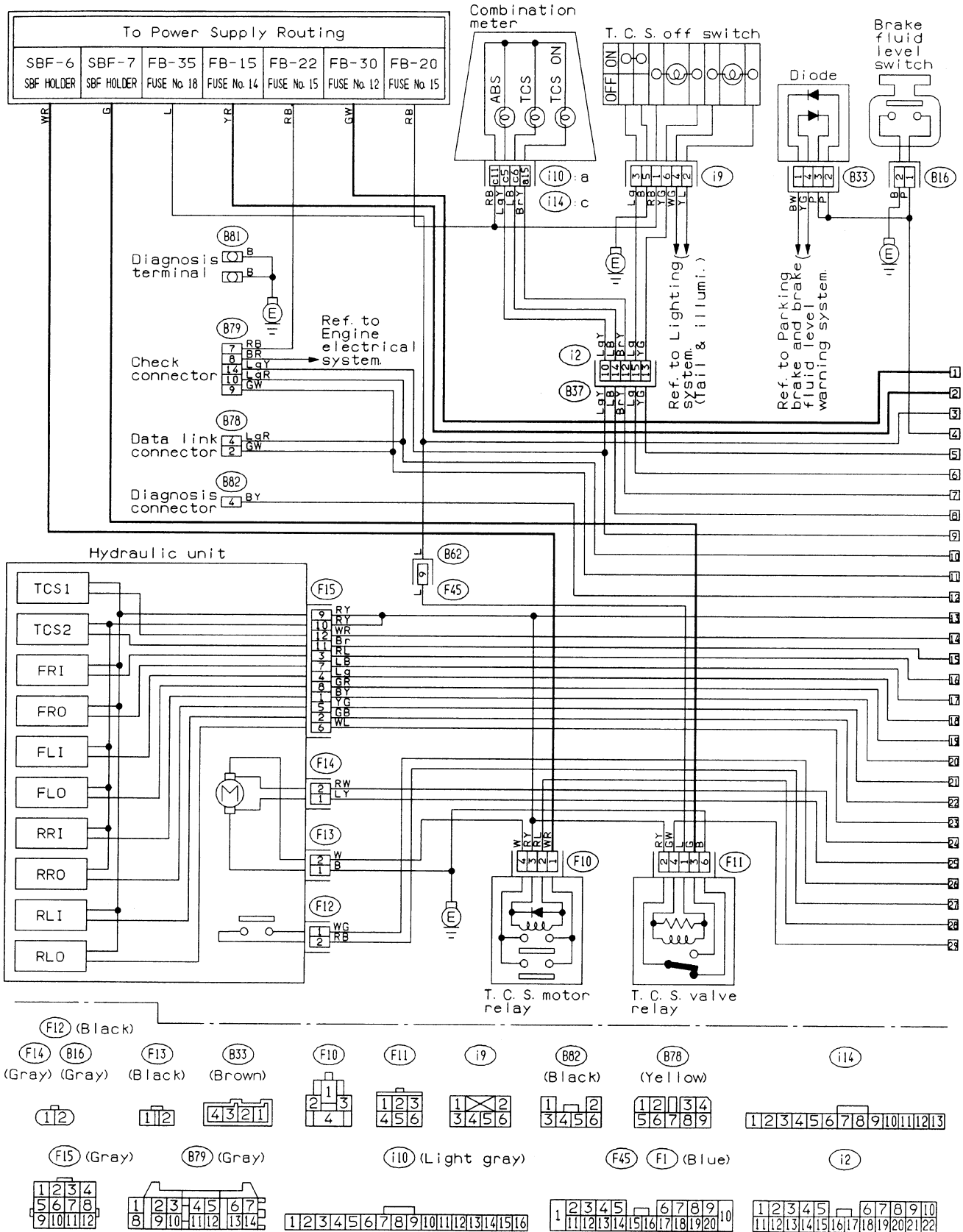


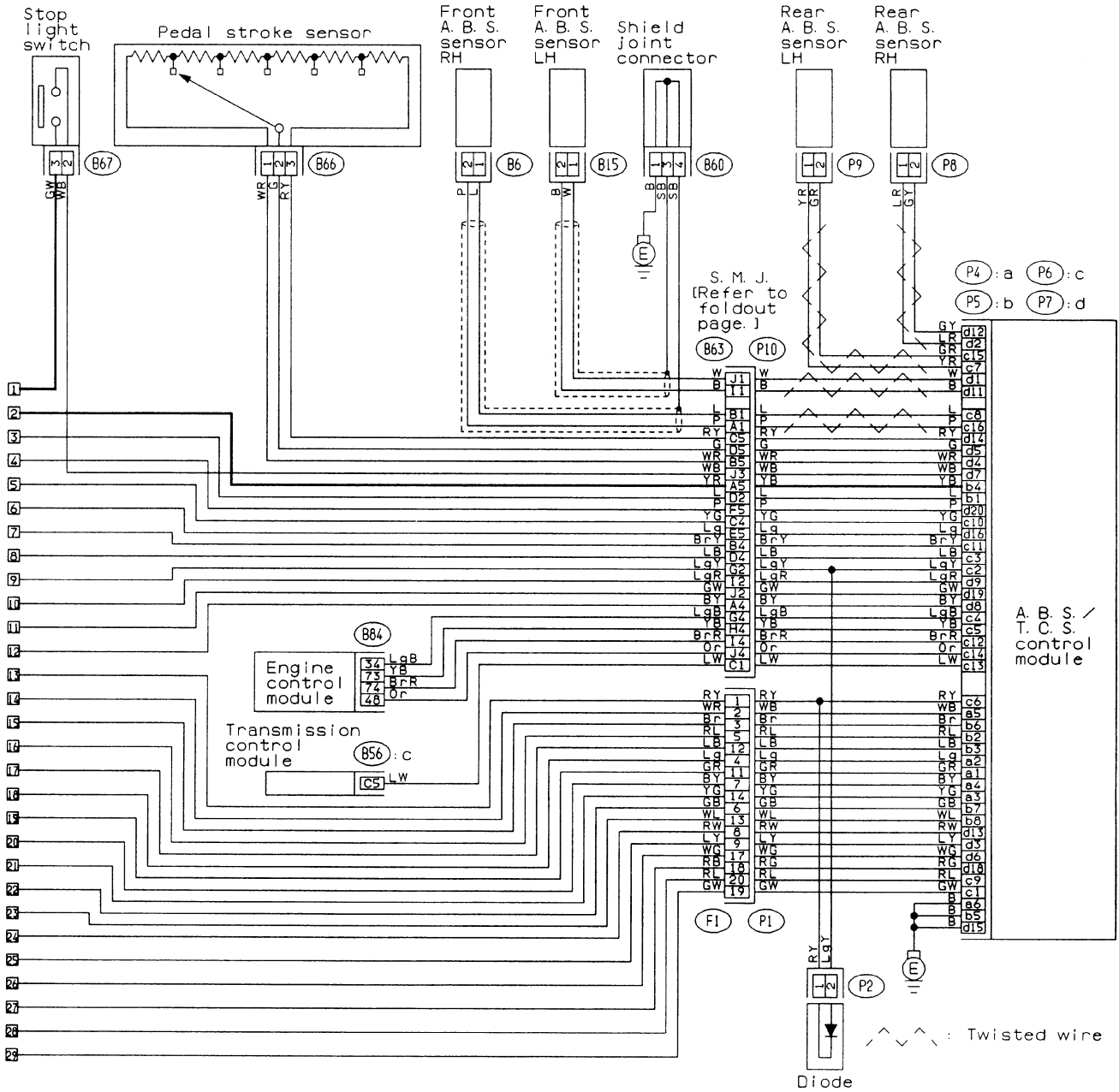
BUR25-01

33. SUNROOF SYSTEM



34. TRACTION CONTROL SYSTEM





(Gray) (B6) (P8) (Gray)

(Gray) (B15) (P9) (Gray) (P2) (Black)

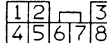
(B66) (Black)

(B60)

(B67) (Black)

(P4)

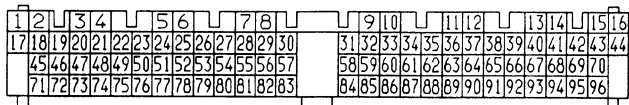
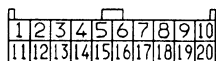
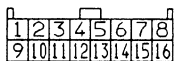
(P5)



(P6)

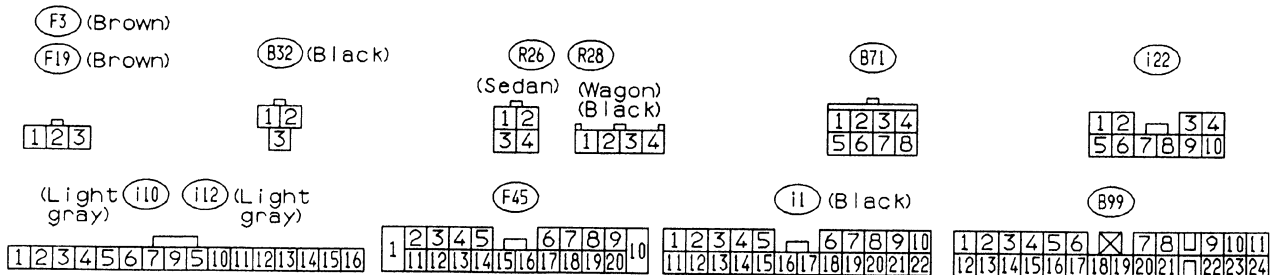
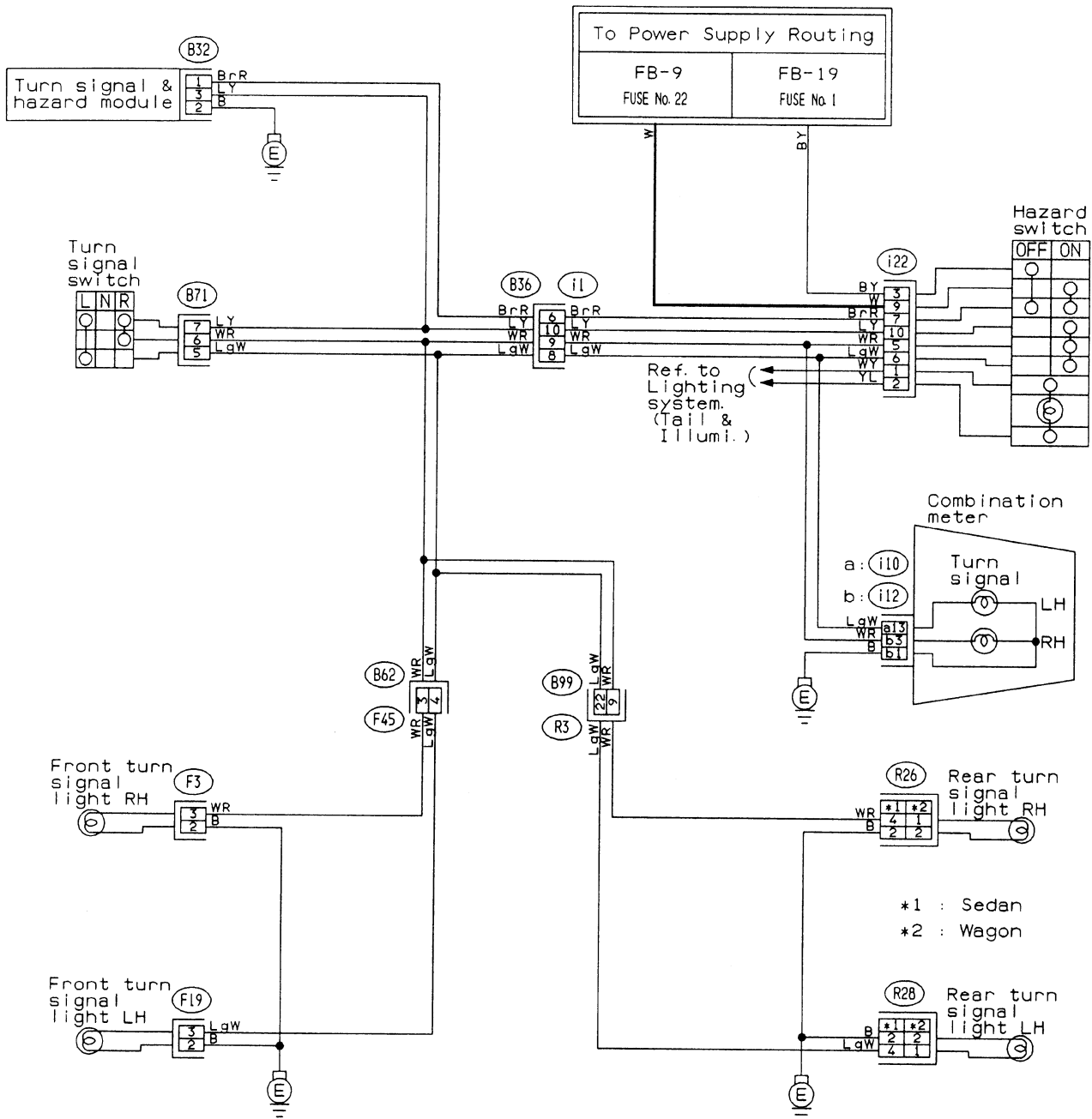
(P7) (B56) (Black)

(B84) (Dark gray)



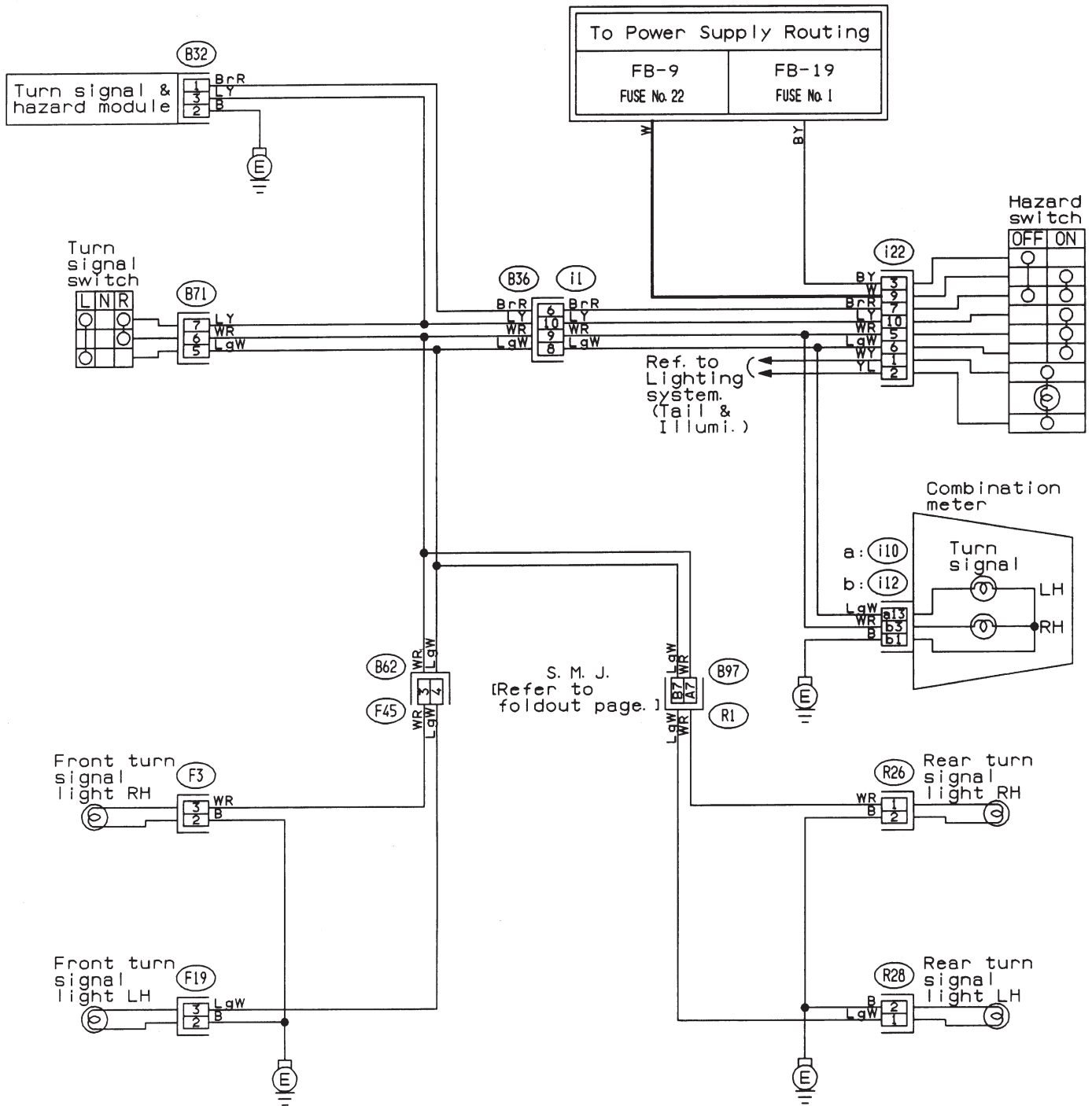
35. TURN SIGNAL AND HAZARD SYSTEM

● LHD model



35. TURN SIGNAL AND HAZARD SYSTEM

● RHD model



F3 (Brown)

F19 (Brown)

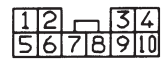
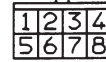
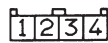
B32 (Black)

R26 (Black)

R28 (Black)

B71

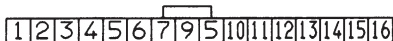
i22



(Light gray) i10 i12 (Light gray)

F45

i1 (Black)

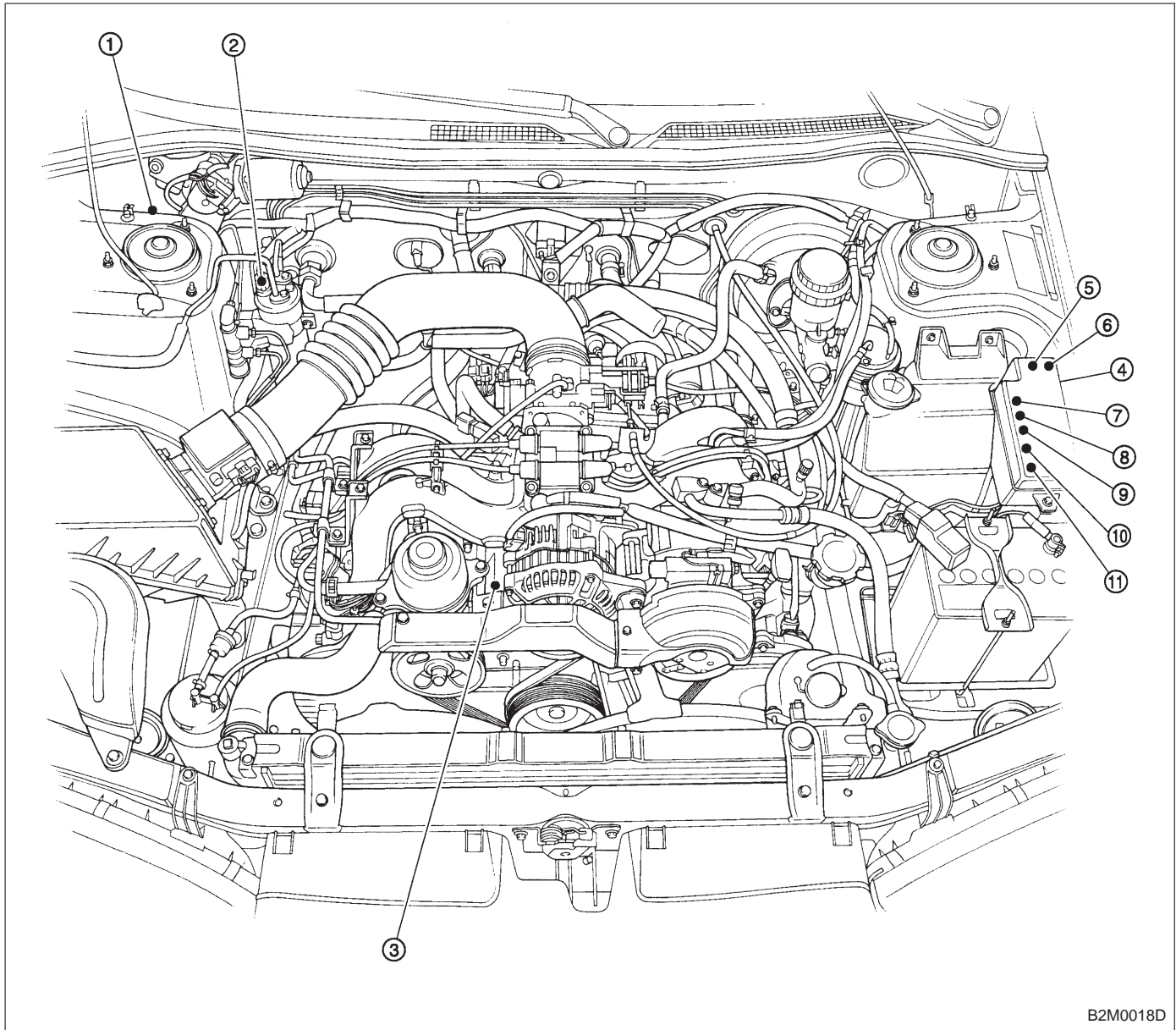


7. Electrical Unit Location

Electrical unit	Refer to;
A.B.S. control module	4-4a [T300]
A.B.S. G sensor (MT)	4-4a [T300]
A/C compressor relay	⑦
A/C fuse	⑪
A/C main fan relay 1	⑩
A/C main fan relay 2	⑧
A/C pressure switch	②
A/C sub fan relay 2	⑨
ATF temperature sensor	2-7 [T2B1]
Blower motor resistor	⑫
Blower relay	⑬
Camshaft position sensor	2-7 [T2A2]
Check connector	⑮
Clutch switch (MT)	6-2 [T300]
Crankshaft position sensor	2-7 [T2A2]
Cruise control module	6-2 [T300]
Cruise control pump	6-2 [T300]
Data link connector (for OBD-II G.S.T.)	2-7 [T2A1]
Data link connector (for S.S.M.)	2-7 [T2A1]
Diagnosis connector	4-4a [T300]
Diagnosis terminal (Ground)	4-4a [T300]
Door lock timer	⑰
Engine control module	2-7 [T2A1]
Engine coolant temperature sensor	2-7 [T2A2]
Engine hood switch (Security)	6-2 [K6A0]
Evaporator thermostswitch	⑲
F/B	⑮
FRESH/RECIRC actuator	⑳
Fuel pump relay	2-7 [T2A3]
Fuel gauge module	⑳
Fuel gauge sub module (AWD)	㉑
FWD switch (AT)	①
Headlight alarm relay (Security)	6-2 [K6A0]
Headlight relay LH	⑤
Headlight relay RH	⑥
Horn relay	⑭

Electrical unit	Refer to;
Hydraulic unit (A.B.S.)	4-4a [T300]
Ignition coil	2-7 [T2A3]
Ignitor	2-7 [T2A3]
Idle air control solenoid valve	2-7 [T2A3]
Illumination control module	㉒
Inhibitor switch	6-2 [T300]
Knock sensor	2-7 [T2A2]
Main fan relay	⑬
Main relay	2-7 [T2A3]
Mass air flow sensor	2-7 [T2A2]
Mode actuator	⑱
M/B	④
Oil pressure switch	③
Oxygen sensor	2-7 [T2A2]
Pedal stroke sensor (T.C.S.)	4-4b [T300]
Power window and sunroof relay	㉔
Power window circuit breaker	㉓
Purge control solenoid valve	2-7 [T2A3]
Rear defogger relay	⑰
Seat belt timer	㉕
Security control module	6-2 [K6A0]
Shift lock control module	㉖
Starter interrupt relay (Security)	6-2 [K6A0]
Stop & brake switch (With cruise control)	6-2 [T300]
Sunroof control module	㉗
Tail and illumination relay	⑱
T.C.S. control module	4-4b [T300]
T.C.S. motor relay	4-4b [T300]
T.C.S. valve relay	4-4b [T300]
Throttle position sensor	2-7 [T2A2]
Test mode connector	2-7 [T2A1]
Transmission control module	2-7 [T2B1]
Turn & hazard module	⑱
Vehicle speed sensor 1	2-7 [T2B1]
Vehicle speed sensor 2	2-7 [T2B1]

1. ENGINE ROOM

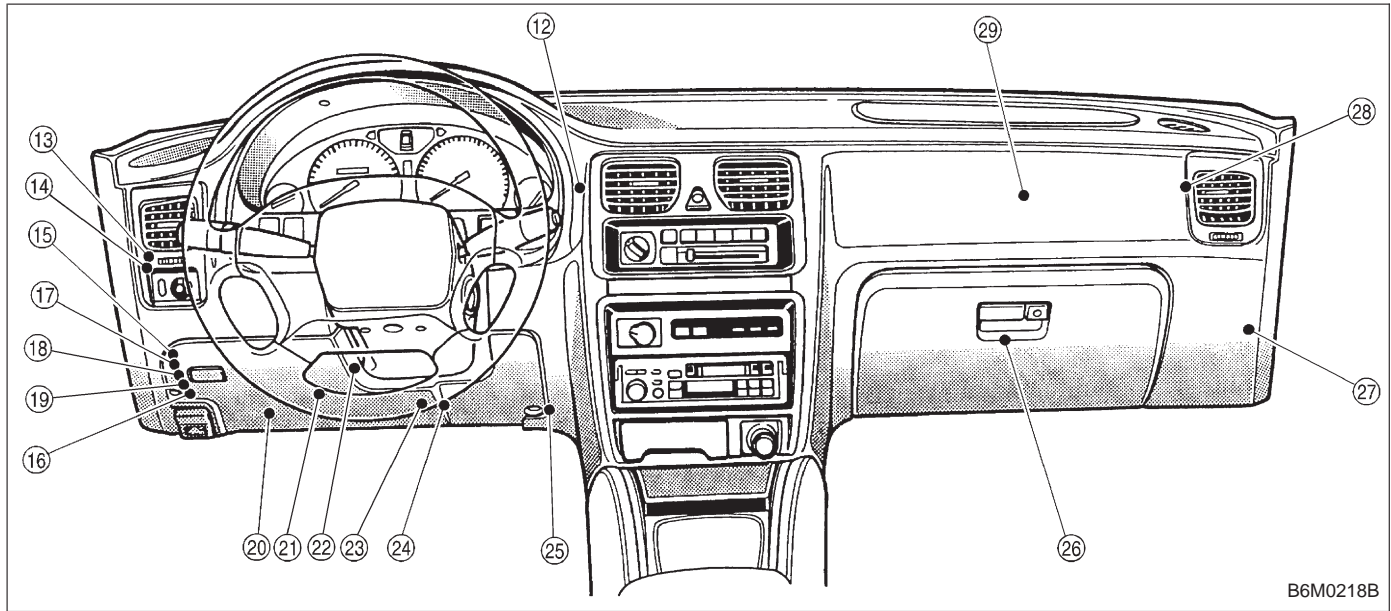


B2M0018D

- ① FWD switch (AT)
- ② A/C pressure switch
- ③ Oil pressure switch
- ④ M/B
- ⑤ Headlight relay LH
- ⑥ Headlight relay RH

- ⑦ A/C compressor relay
- ⑧ A/C main fan relay 2
- ⑨ A/C sub fan relay 2
- ⑩ A/C main fan relay 1
- ⑪ A/C fuse

2. INSTRUMENT PANEL

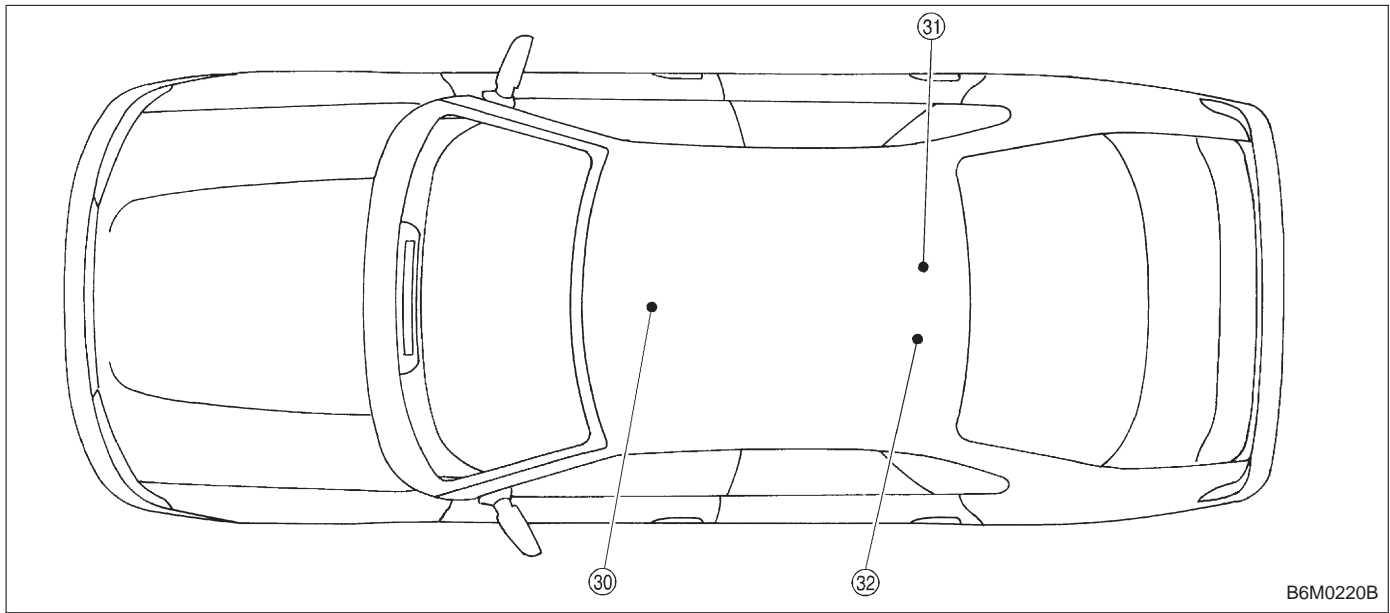


B6M0218B

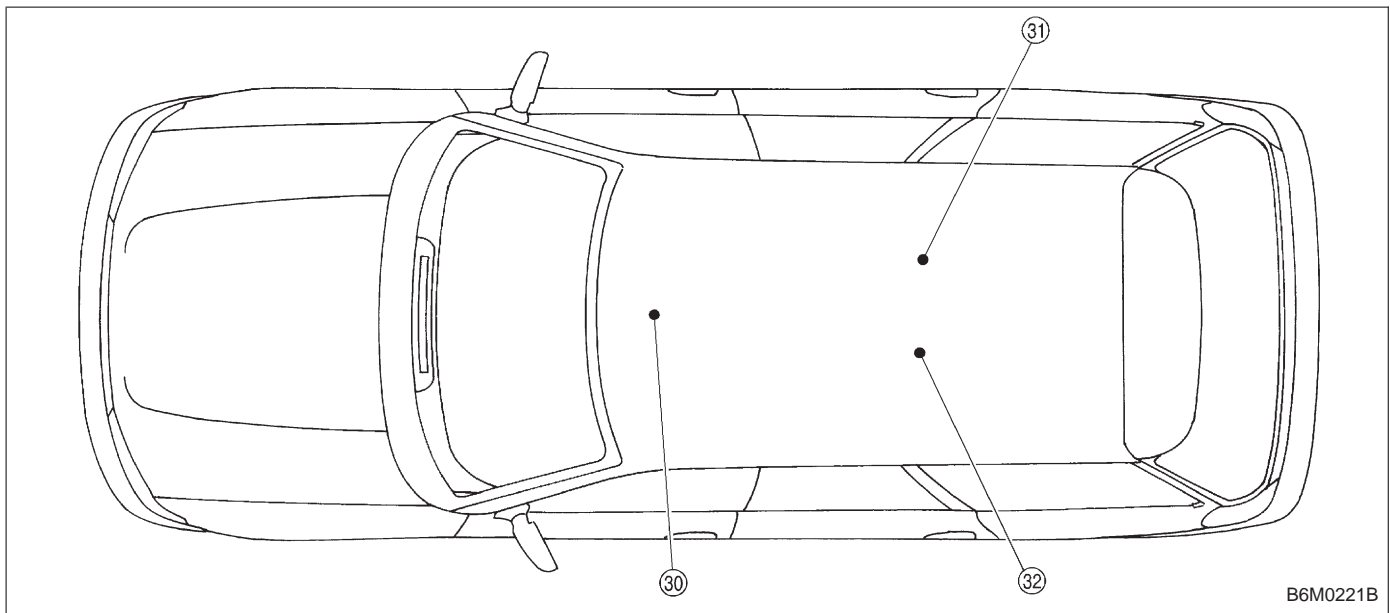
- | | |
|-----------------------------|--------------------------------|
| ⑫ Mode actuator | ⑳ Illumination control module |
| ⑬ Blower relay | ㉑ Shift lock control module |
| ⑭ Horn relay | ㉒ Power window circuit breaker |
| ⑮ F/B | ㉓ Power window & sunroof relay |
| ⑯ Turn & hazard module | ㉔ Check connector |
| ⑰ Rear defogger relay | ㉕ Blower motor resistor |
| ⑱ Tail & illumination relay | ㉖ Door lock timer |
| ㉑ Main fan relay | ㉗ FRESH/RECIRC actuator |
| ㉒ Seat belt timer | ㉘ Evaporator thermostwitch |

3. COMPARTMENT

● SEDAN

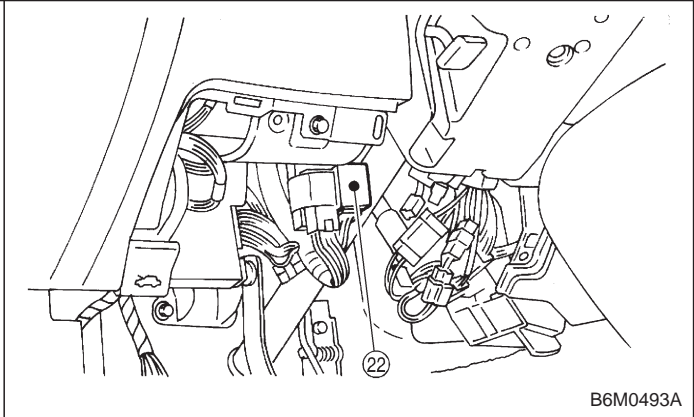
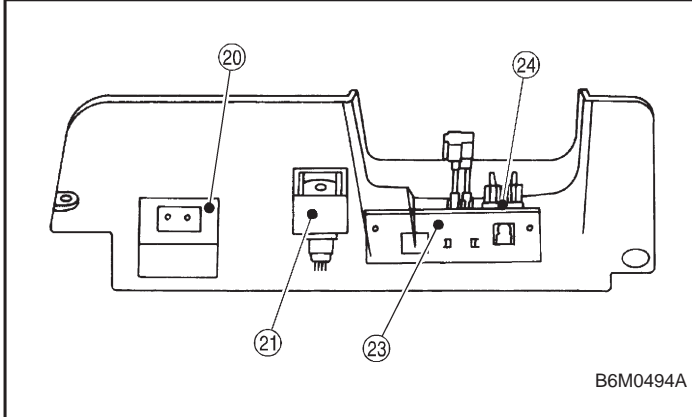
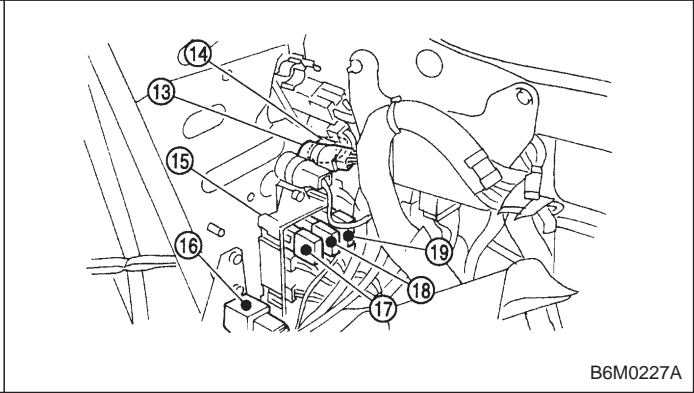
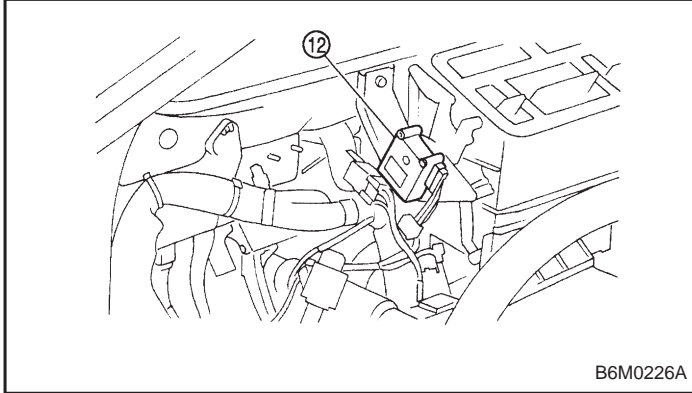
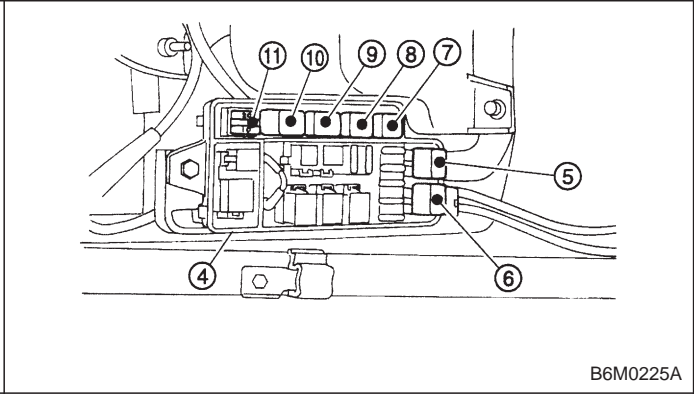
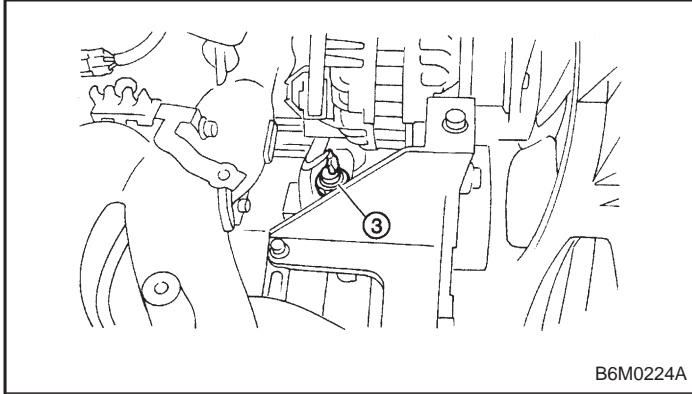
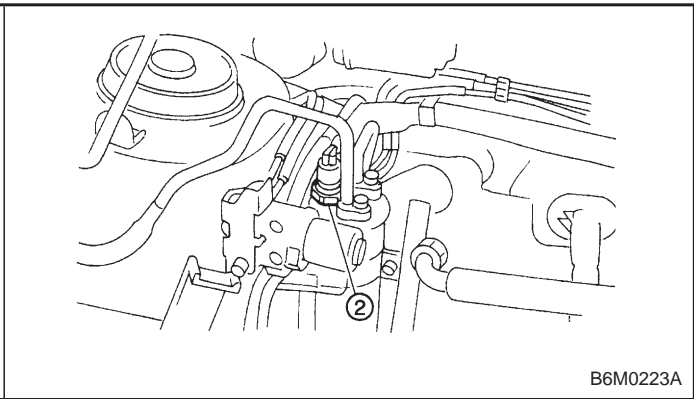
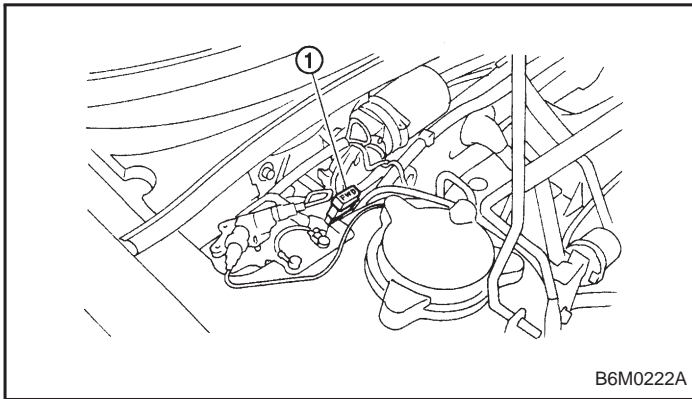


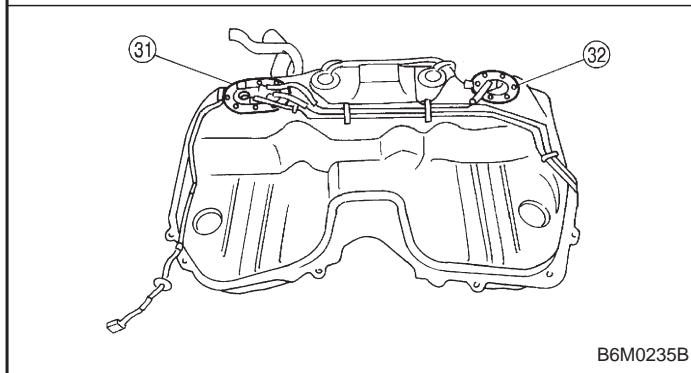
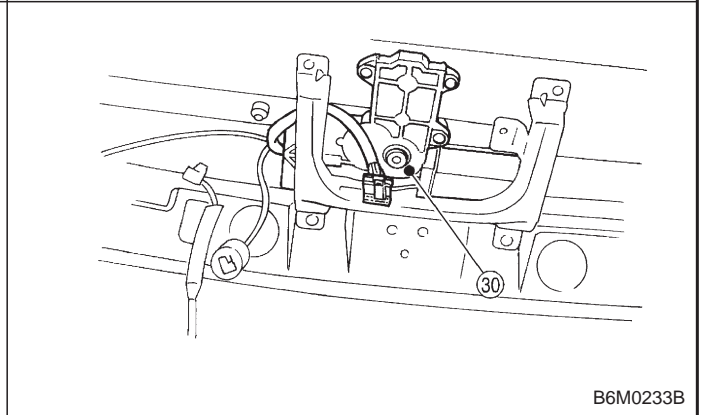
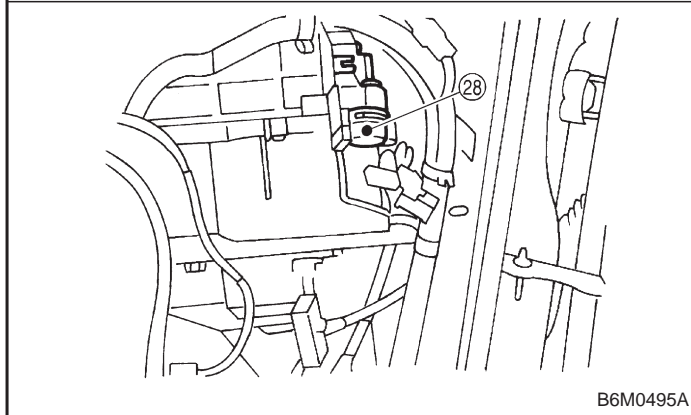
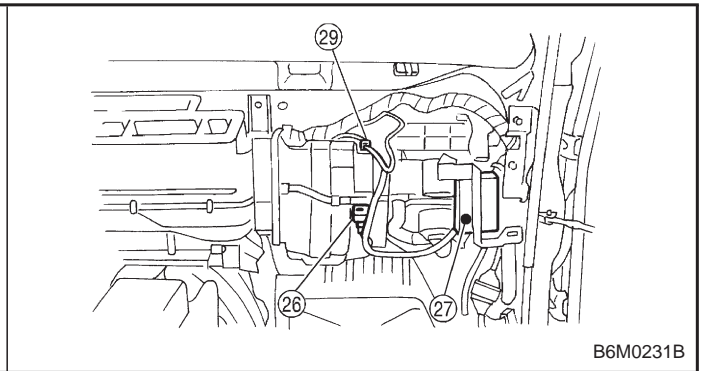
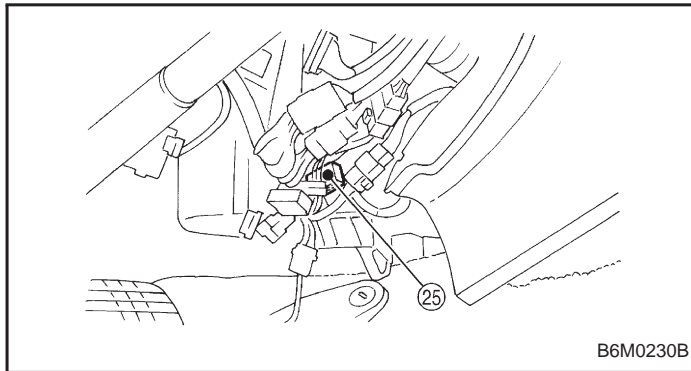
● WAGON



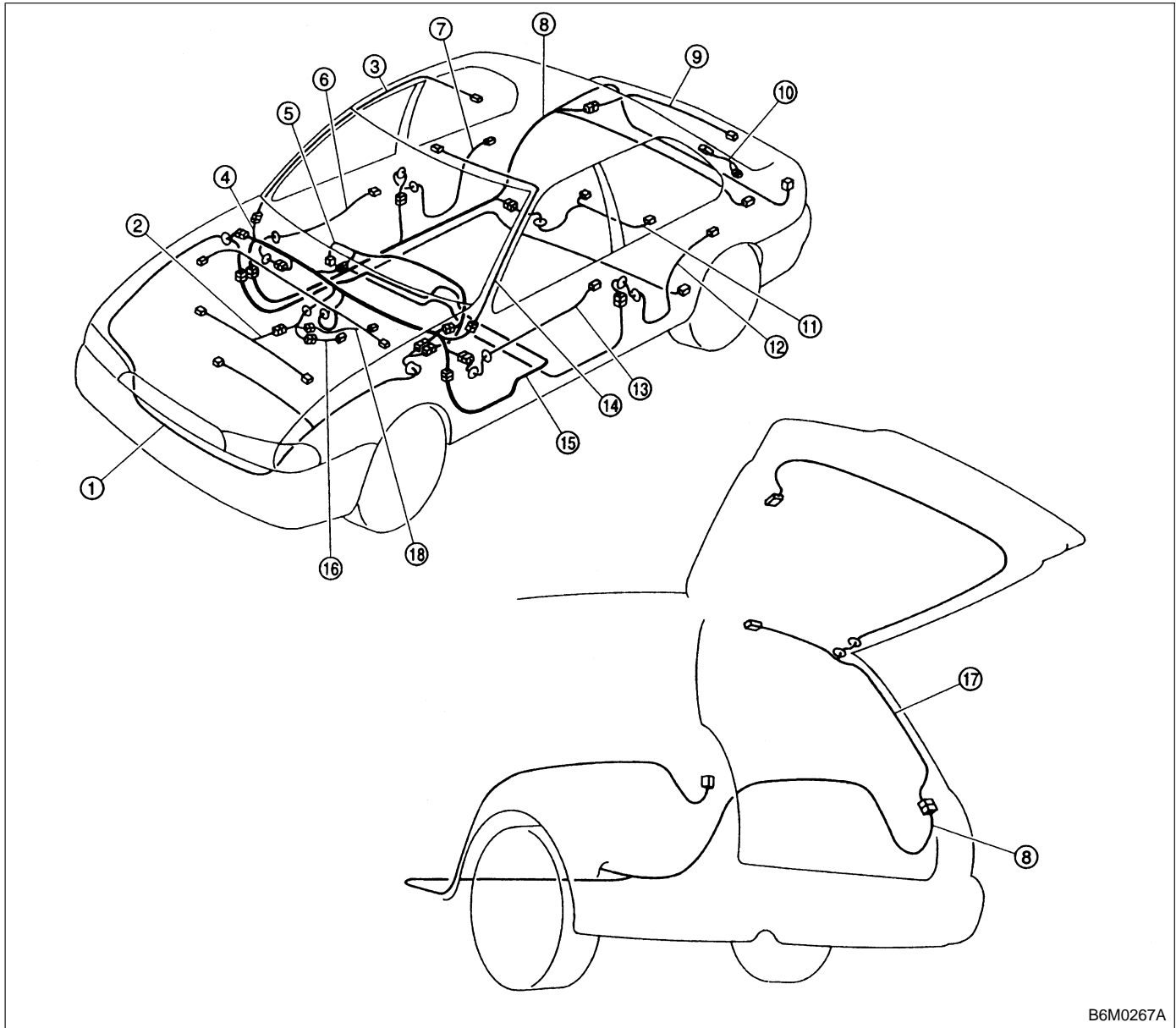
- ③① Sunroof control module
- ③① Fuel gauge module

- ③② Fuel gauge sub module (AWD)





8. Electrical Wiring Harness and Ground Point



B6M0267A

- | | |
|-----------------------------------|-------------------------------------|
| ① Front wiring harness | ⑩ Rear defogger ground cord (Sedan) |
| ② Engine wiring harness | ⑪ Fuel tank cord |
| ③ Room light cord | ⑫ Rear door cord LH |
| ④ Bulkhead wiring harness | ⑬ Front door cord LH |
| ⑤ Instrument panel wiring harness | ⑭ Sunroof cord |
| ⑥ Front door cord RH | ⑮ Floor wiring harness |
| ⑦ Rear door cord RH | ⑯ Transmission cord |
| ⑧ Rear wiring harness | ⑰ Rear gate cord (Wagon) |
| ⑨ Trunk lid cord (Sedan) | ⑱ Rear oxygen sensor cord |

● LHD model

Connector				Connecting to	
No.	Pole	Color	Area	No.	Name
F1	20	Blue	B-2	P1	Floor wiring harness (With A.B.S. and T.C.S. model)
F2	3	*	B-2	B100	Bulkhead wiring harness (With A.B.S. and T.C.S. model)
F3	3	Brown	B-1		Front turn signal and side marker light RH
F4	2	Black	B-1		Front clearance light RH
F5	1	Black	B-1		Horn
F6	2	*	C-1		Front fog light RH
F7	3	Black	B-1		Headlight RH
F8	2	Gray	B-1		Hydraulic unit (A.B.S.)
F9	12	Black	B-1		
F10	4	*	B-2		T.C.S. motor relay
F11	6	*	B-2		T.C.S. valve relay
F12	2	Black	B-2		T.C.S. pressure switch
F13	2	Black	B-2		T.C.S. motor
F14	2	Gray	B-2		Hydraulic unit (T.C.S.)
F15	12	Gray	B-2		
F16	3	Black	C-1		Sub fan motor
F17	3	Black	C-2		Radiator main fan motor
F18	2	Gray	C-3		Front hood switch (Security)
F19	3	Brown	C-3		Front turn signal and side marker light LH
F21	2	*	C-2		Front fog light LH
F22	2	Black	C-3		Front clearance light LH
F23	3	Black	C-2		Headlight LH
F24	1	Black	B-2		A/C compressor
F25	1 x 2	*	B-2		Generator
F26	2	Gray	B-2		
F27	4	Black	B-3		A/C fuse (Relay holder)
F28	4	Black	B-3		A/C main fan relay-1 (Relay holder)
F29	4	Black	B-3		A/C sub fan relay-2 (Relay holder)
F30	4	Black	B-3		A/C main fan relay-2 (Relay holder)
F31	4	Black	B-3		A/C relay (Relay holder)
F32	2	Green	B-2		Front washer motor
F33	2	*	B-3		Rear washer motor
F34	4	Black	B-3		SBF holder
F35	8	Black	B-3		
F36	3	*	B-3		
F37	2	Black	B-3		
F38	2	Black	B-3		
F39	1	Brown	B-3		M/B
F40	10	Gray	B-4		
F41	3	Gray	B-4		
F42	5	Gray	B-4		F/B
F43	3	Orange	B-4		
F44	8	*	B-3	B61	Bulkhead wiring harness
F45	20	*	B-3	B62	
F46	2	Black	B-4	B108	Bulkhead wiring harness (Outback)

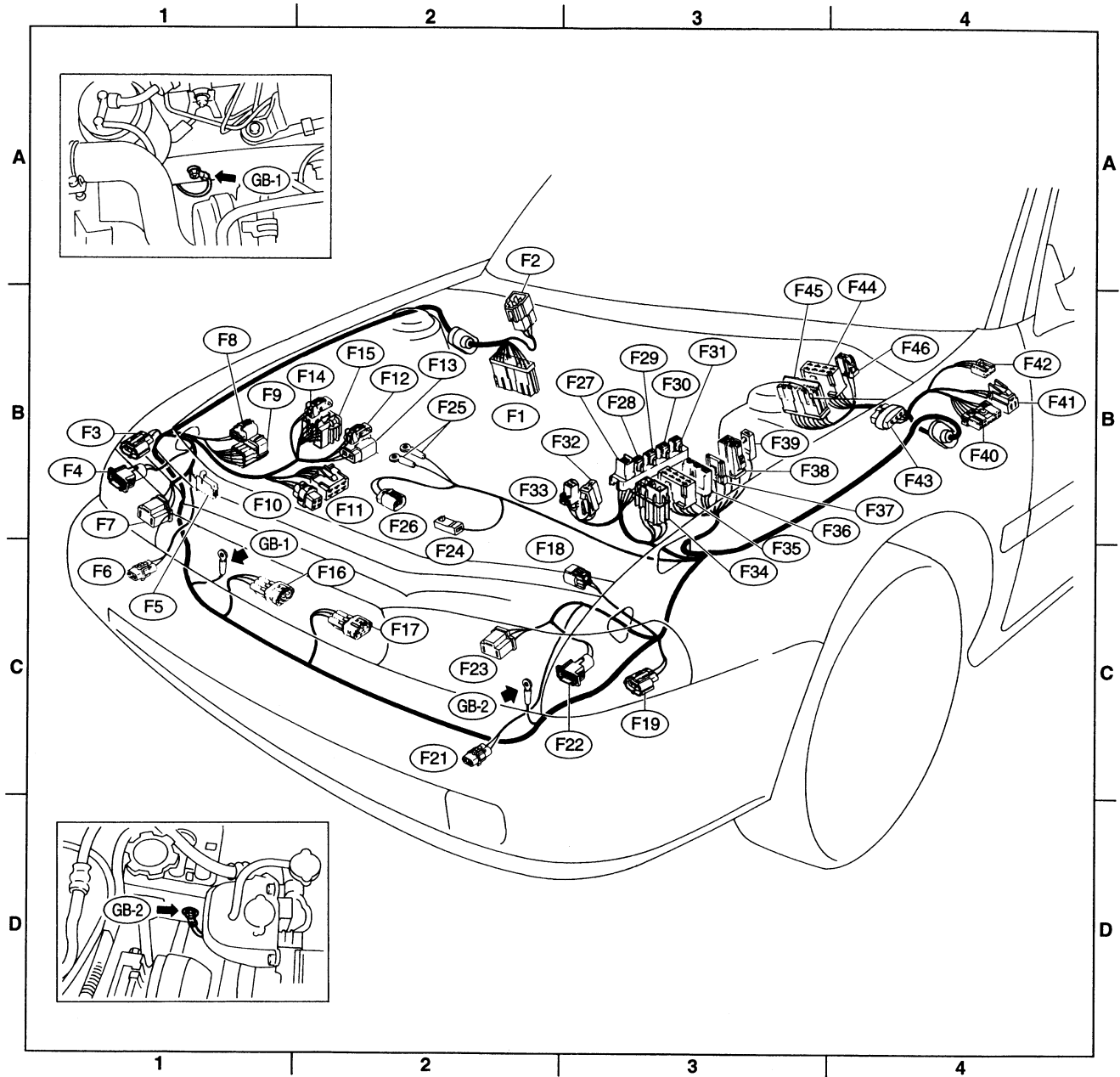
*: Non-colored

● RHD model

Connector				Connecting to	
No.	Pole	Color	Area	No.	Name
F3	3	Brown	B-1		Front turn signal and side marker light RH
F5	1	Black	B-1		Horn
F7	3	Black	B-1		Headlight RH
F16	3	Black	C-1		Sub fan motor
F17	3	Black	C-2		Radiator main fan motor
F19	3	Brown	C-3		Front turn signal and side marker light LH
F20	1	Black	C-2		Horn
F23	3	Black	C-2		Headlight LH
F24	1	Black	B-2		A/C compressor
F25	1 x 2	*	B-2		Generator
F26	2	Gray	B-2		
F27	4	Black	B-3		A/C fuse (Relay holder)
F28	4	Black	B-3		A/C main fan relay-1 (Relay holder)
F29	4	Black	B-3		A/C sub fan relay-2 (Relay holder)
F30	4	Black	B-3		A/C main fan relay-2 (Relay holder)
F31	4	Black	B-3		A/C relay (Relay holder)
F35	8	Black	B-3		M/B
F38	2	Black	B-3		
F40	10	Gray	B-2		F/B
F42	5	Gray	B-2		
F43	3	Orange	B-2		A/C diode
F44	8	*	B-2	B61	Bulkhead wiring harness
F45	20	*	B-2	B62	
F47	2	Gray	C-2		A/C pressure switch
F48	2	Blue	B-2		Thermal protector

*: Non-colored

1. FRONT WIRING HARNESS AND GROUND POINT (LHD MODEL)



B6M0254A

Connector				Connecting to	
No.	Pole	Color	Area	No.	Name
B1	2	*	B-2		Pressure source switching solenoid (AT)
B2	3	Black	B-2		Pressure sensor (AT)
B3	5	Gray	B-2		Mass air flow sensor
B4	2	Gray	B-2		AT dropping resistor
B5	2	Gray	B-2		Resistor (Daytime running light)
B6	2	Gray	B-2		A.B.S. front sensor RH
B7	4	Gray	B-2		Cruise control pump
B8	6	*	A-2		Front wiper motor
B9	2	Black	A-2		FWD switch (AT)
B10	2	Brown	B-2		A/C pressure switch
B11	16	Gray	B-3	T4	Transmission (AT)
B12	12	Gray	B-2	T3	
B13	6	Gray	B-3		Ignitor
B14	1	Black	B-3		Starter (Magnet)
B15	2	Gray	B-3		A.B.S. front sensor LH
B16	2	Gray	B-3		Brake fluid level switch
B17	2	Black	B-2		Vehicle speed sensor
B18	4	*	B-2		Front oxygen sensor
B19	4	Gray	B-2	T5	Rear oxygen sensor cord
B20	6	Light gray	B-2	E1	Engine wiring harness
B21	12	Light gray	B-2	E2	
B22	16	Light gray	B-2	E3	
B23	2	Black	B-2		A.B.S. G sensor (MT)
B24	2	Gray	B-2	T1	Back-up light switch (MT)
B25	2	Brown	B-2	T2	Neutral position switch (MT)

*: Non-colored