

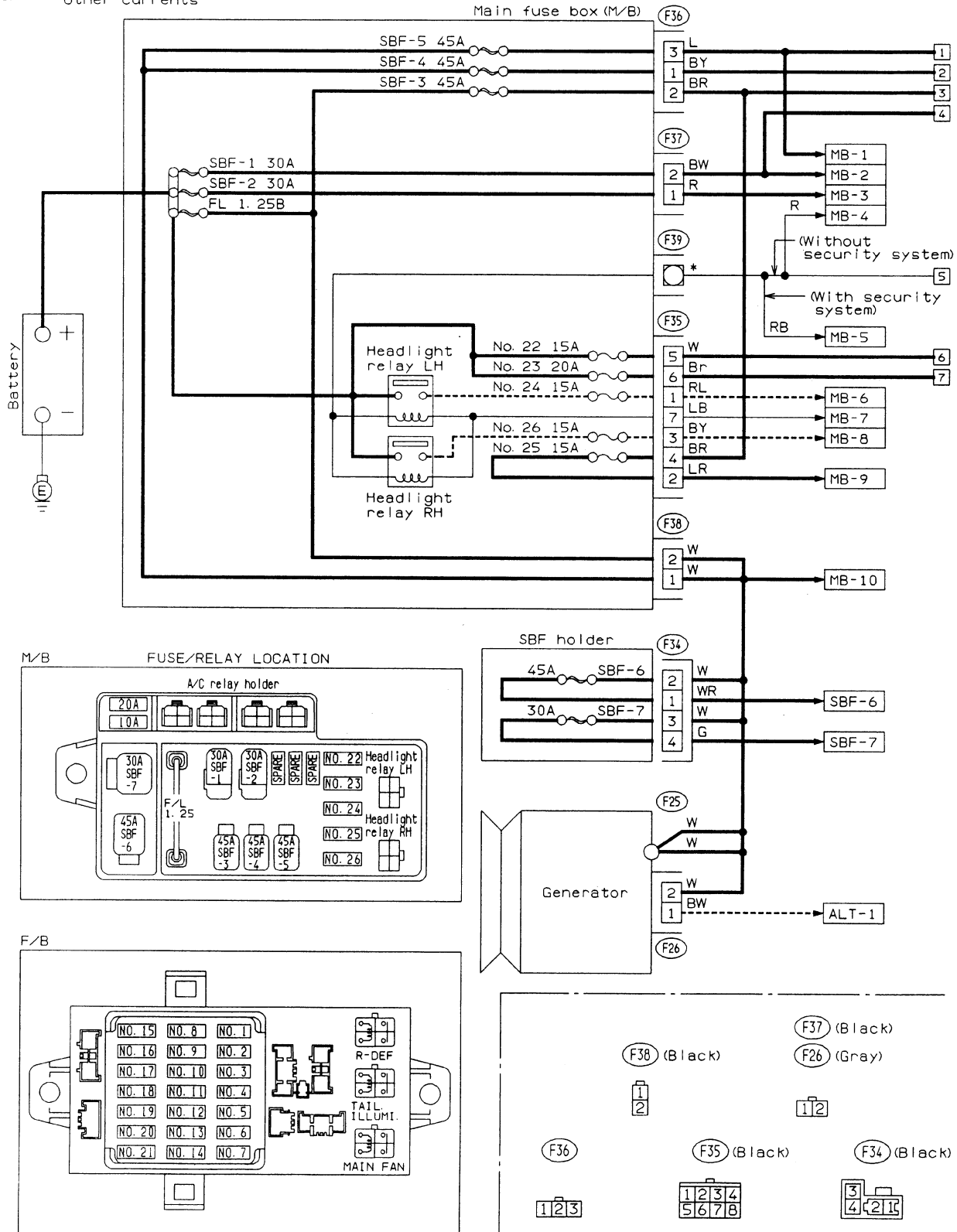
6. Wiring Diagram

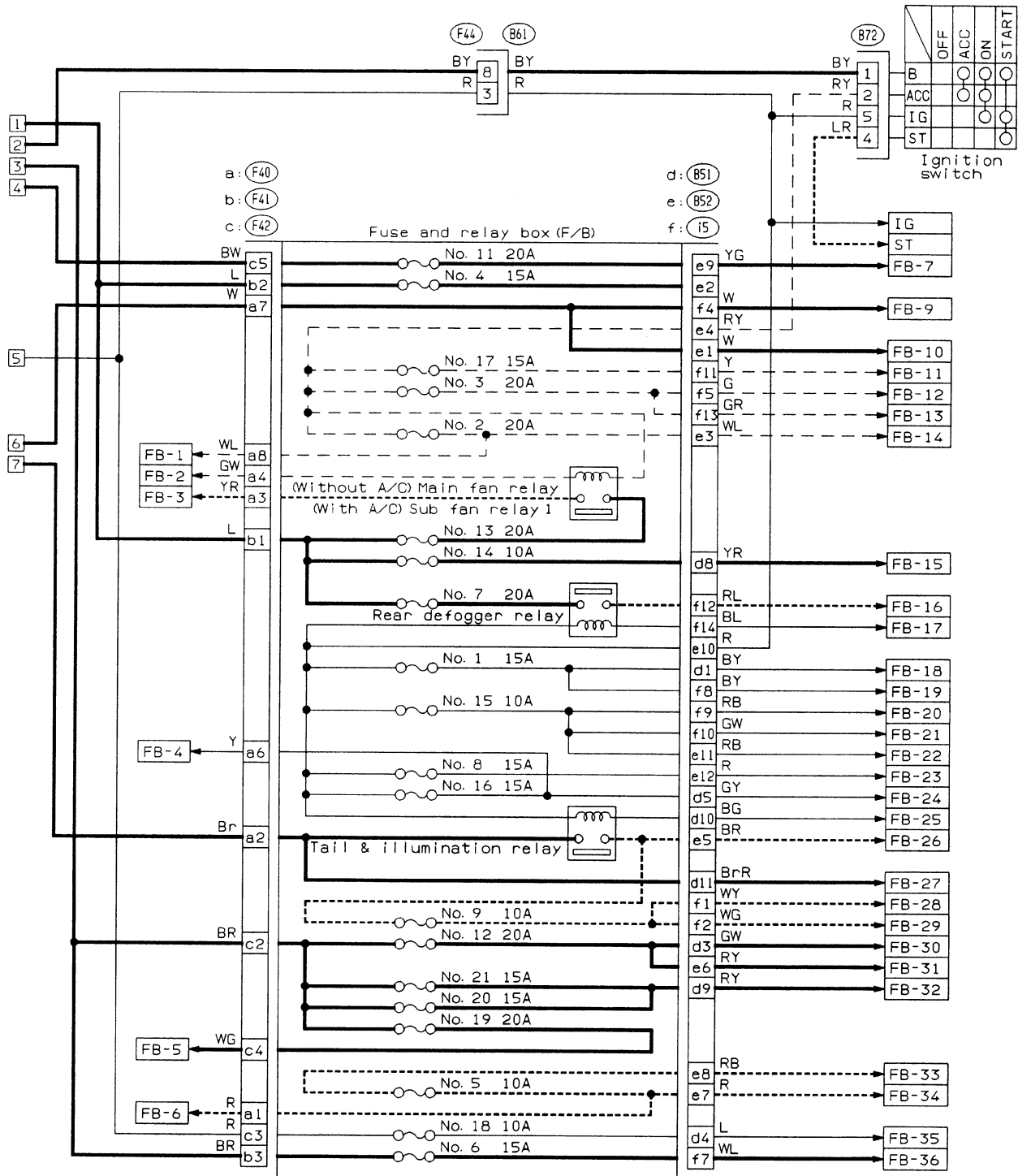
1. POWER SUPPLY ROUTING

● LHD model

- Battery current
- Current from ignition switch IG terminal
- - - Current from ignition switch ACC terminal
- Other currents

- *RB : With security system
- R : Without security system





(F44)

(B72)
(Black)

(F40)
(Gray)

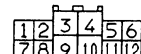
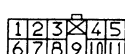
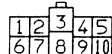
(F41)
(Gray)

(F42)
(Gray)

(B51)
(Gray)

(B52)
(Gray)

(i5)
(Gray)



6. Wiring Diagram

No.	Load
MB-1	Fuse holder (Rear power supply)
MB-2	Power window circuit breaker
MB-3	Engine control module Fuel pump relay Main relay OBD-II service connector
MB-4	A/C relay holder
MB-5	Headlight alarm relay (with security)
MB-6	Headlight LH
MB-7	Combination meter Daytime running light control module Diode (Lighting) Diode (Security) Lighting switch Luggage room light Room light Step light Trunk room light
MB-8	Combination meter Front fog light switch Headlight RH
MB-9	Door lock timer Headlight alarm relay Interrupt relay Radio Security control module Security indicator light Spot light
MB-10	A/C relay holder
SBF-6	Hydraulic unit (A.B.S.) T.C.S. motor relay
SBF-7	T.C.S. valve relay
ALT-1	Combination meter Daytime running light control module
IG	Headlight alarm relay
ST	Cruise control module Engine control module Inhibitor switch (AT) Interrupt relay Starter interlock relay (MT)
FB-1	Front washer motor Rear washer motor
FB-2	Diode (A/C)
FB-3	Sub fan motor Sub fan relay-2
FB-4	Engine control module Fuel pump relay Transmission control module
FB-5	Hydraulic unit (A.B.S.)
FB-6	Front clearance light LH Front clearance light RH Side marker light LH Side marker light RH

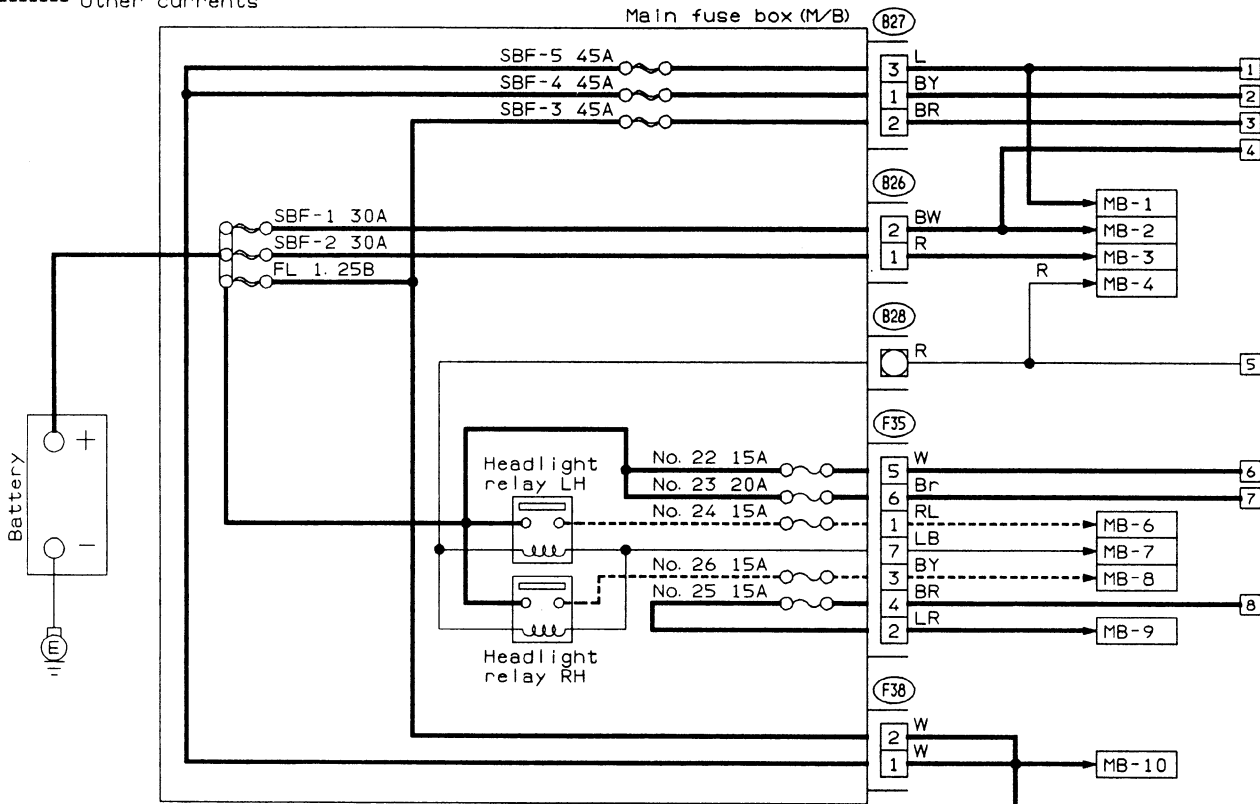
No.	Load
FB-7	Door lock timer
FB-9	Hazard switch
FB-10	AT shift lock control module Key warning switch Power antenna
FB-11	Radio
FB-12	Cigarette lighter
FB-13	Remote control rearview mirror switch Security control module Vanity mirror illumination light
FB-14	AT shift lock control module Combination switch Front wiper motor Rear wiper motor Rear wiper relay
FB-15	A.B.S./T.C.S. control module Transmission control module
FB-16	Rear defogger Rear defogger condenser Rear defogger switch
FB-17	Rear defogger switch
FB-18	AT shift lock control module Back-up light switch (MT) Inhibitor switch (AT)
FB-19	Hazard switch
FB-20	A/C switch Combination meter Mode control panel T.C.S. off switch
FB-21	Combination meter (Airbag)
FB-22	Blower motor relay Check connector Daytime running light control module Daytime running light relay FRESH/RECIRC actuator Hi-beam relay Power window and sunroof relay Seat belt timer
FB-23	Airbag control module
FB-24	Airbag control module
FB-25	Lighting switch
FB-26	Parking switch
FB-27	Parking switch
FB-28	Illumination light
FB-29	Illumination light
FB-30	Pedal stroke sensor Stop light switch Stop & brake switch
FB-31	Horn relay
FB-32	Blower motor relay
FB-33	Parking switch

No.	Load
FB-34	Rear combination light LH Rear combination light RH Rear finisher light LH Rear finisher light RH
FB-35	A.B.S. control module A.B.S. G sensor A.B.S./T.C.S. control module A.B.S./T.C.S. valve relay Cruise control main switch Cruise control module
FB-36	Front fog light relay

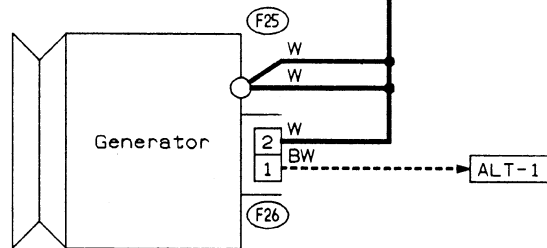
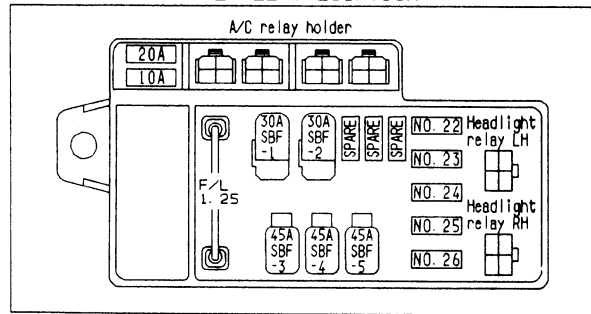
1. POWER SUPPLY ROUTING

● RHD model

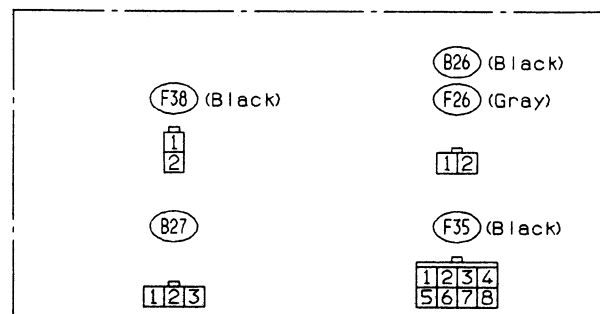
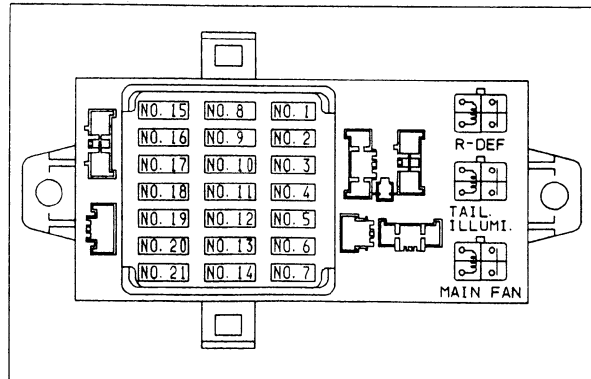
- Battery current
- Current from ignition switch IG terminal
- - - Current from ignition switch ACC terminal
- Other currents

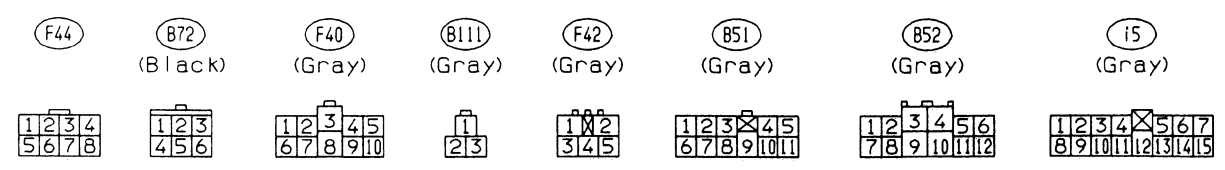
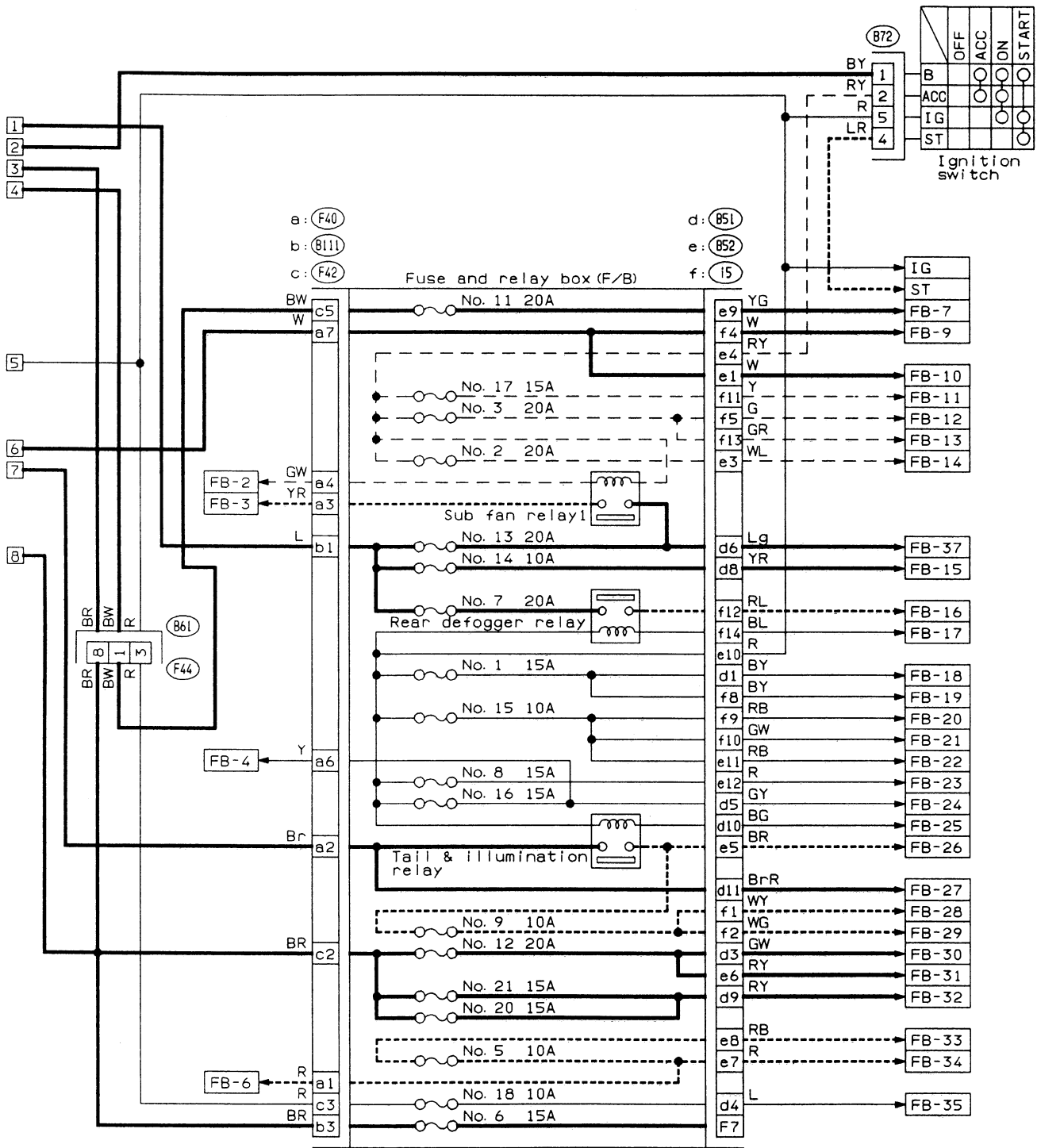


M/B FUSE/RELAY LOCATION



F/B





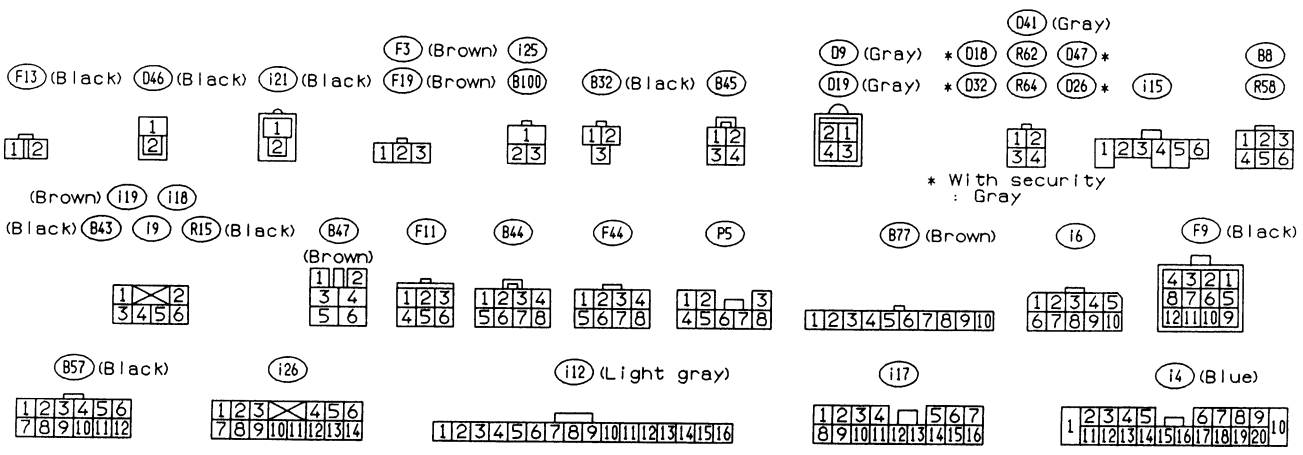
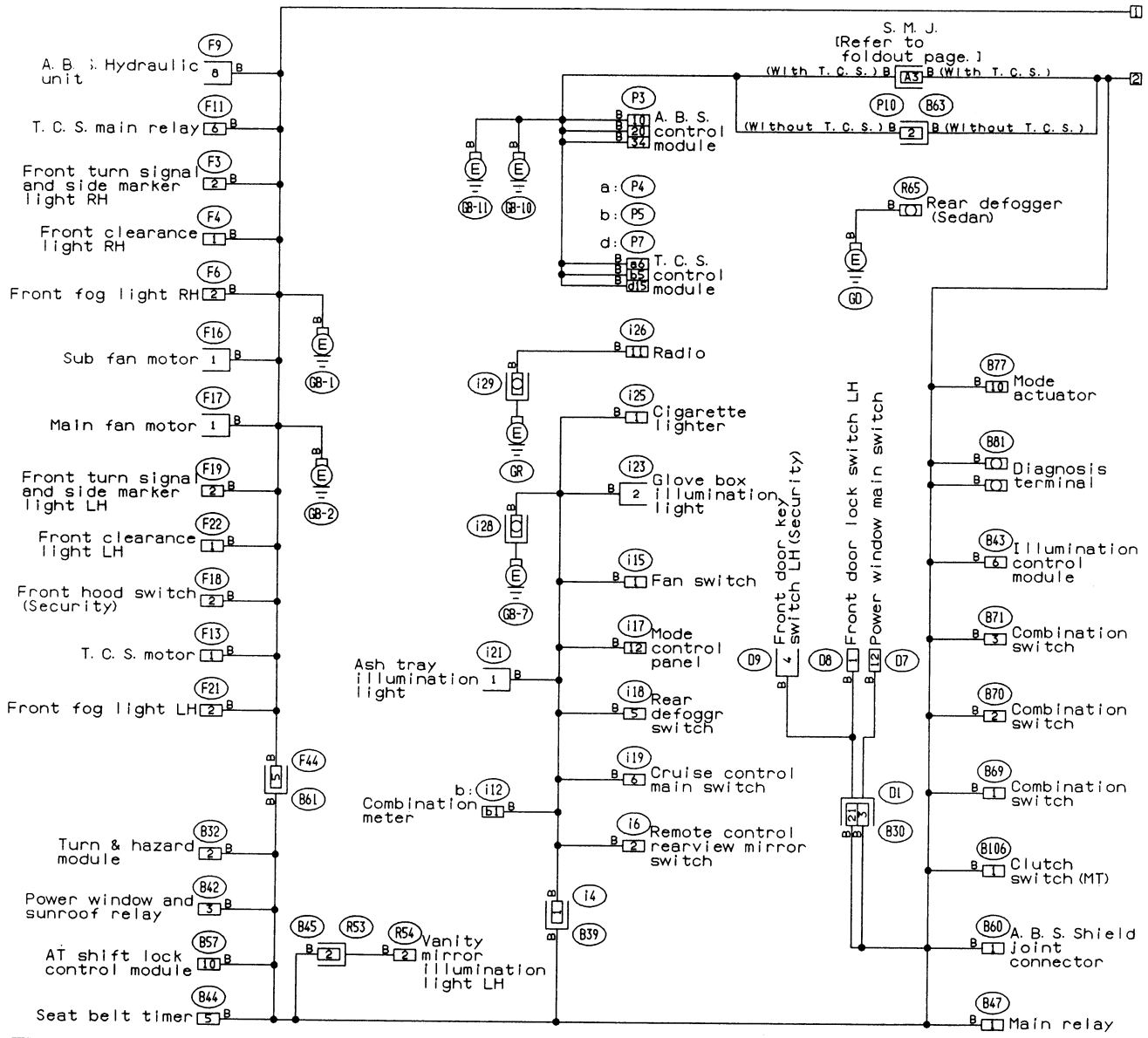
6. Wiring Diagram

No.	Load
MB-2	Power window circuit breaker
MB-3	Engine control module Fuel pump relay Main relay OBD-II service connector
MB-6	Headlight LH
MB-7	Diode (Lighting) Lighting switch
MB-8	Combination meter Headlight RH
MB-9	Combination meter Door lock timer Luggage room light Radio Room light
MB-10	A/C relay holder
ALT-1	Combination meter
IG	A/C relay holder
ST	Cruise control module Engine control module Inhibitor switch
FB-2	Diode (A/C)
FB-3	Sub fan motor Sub fan relay-2
FB-4	Engine control module Fuel pump relay Ignition coil Transmission control module
FB-6	Side marker light LH Side marker light RH
FB-7	Door lock timer
FB-9	Hazard switch
FB-10	AT shift lock control module Key warning switch Power antenna
FB-11	Radio
FB-12	Cigarette lighter
FB-13	Remote control rearview mirror switch
FB-14	AT shift lock control module Combination switch Front washer motor Front wiper motor Rear washer motor Rear wiper motor Rear wiper relay
FB-15	Transmission control module
FB-16	Rear defogger Rear defogger condenser Rear defogger switch
FB-17	Rear defogger switch

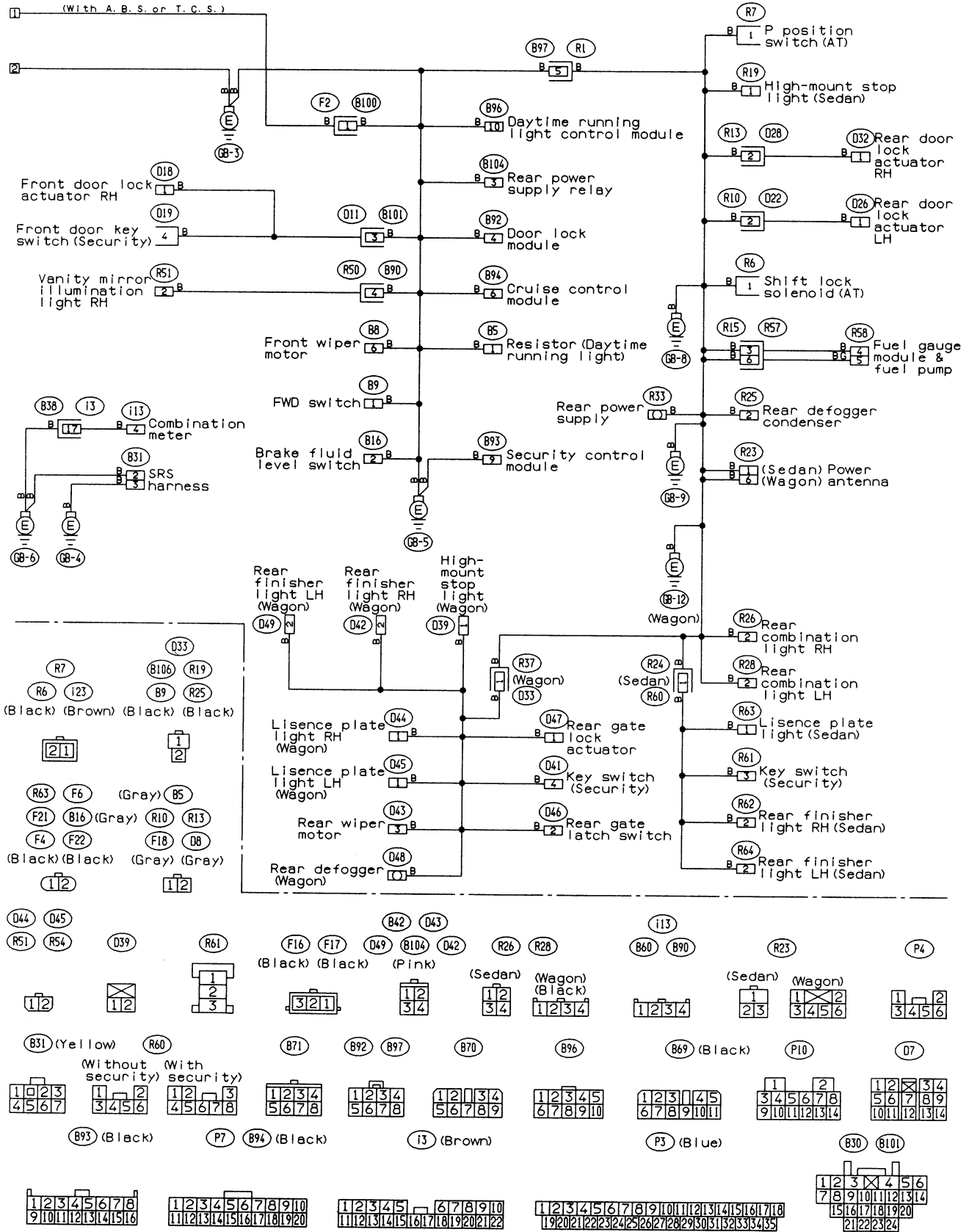
No.	Load
FB-18	AT shift lock control module Inhibitor switch
FB-19	Hazard switch
FB-20	Combination meter Mode control panel
FB-21	Combination meter (Airbag)
FB-22	Blower motor relay Check connector FRESH/RECIRC actuator Mode actuator Power window relay Seat belt timer
FB-23	Airbag control module
FB-24	Airbag control module
FB-25	Lighting switch
FB-26	Parking switch
FB-27	Parking switch
FB-28	Illumination light
FB-29	Illumination light
FB-30	Stop light switch Stop & brake switch
FB-31	Horn relay
FB-32	Blower motor relay
FB-33	Parking switch
FB-34	License plate light LH License plate light RH Rear combination light LH Rear combination light RH Rear finisher light LH Rear finisher light RH
FB-35	Cruise control main switch Cruise control module

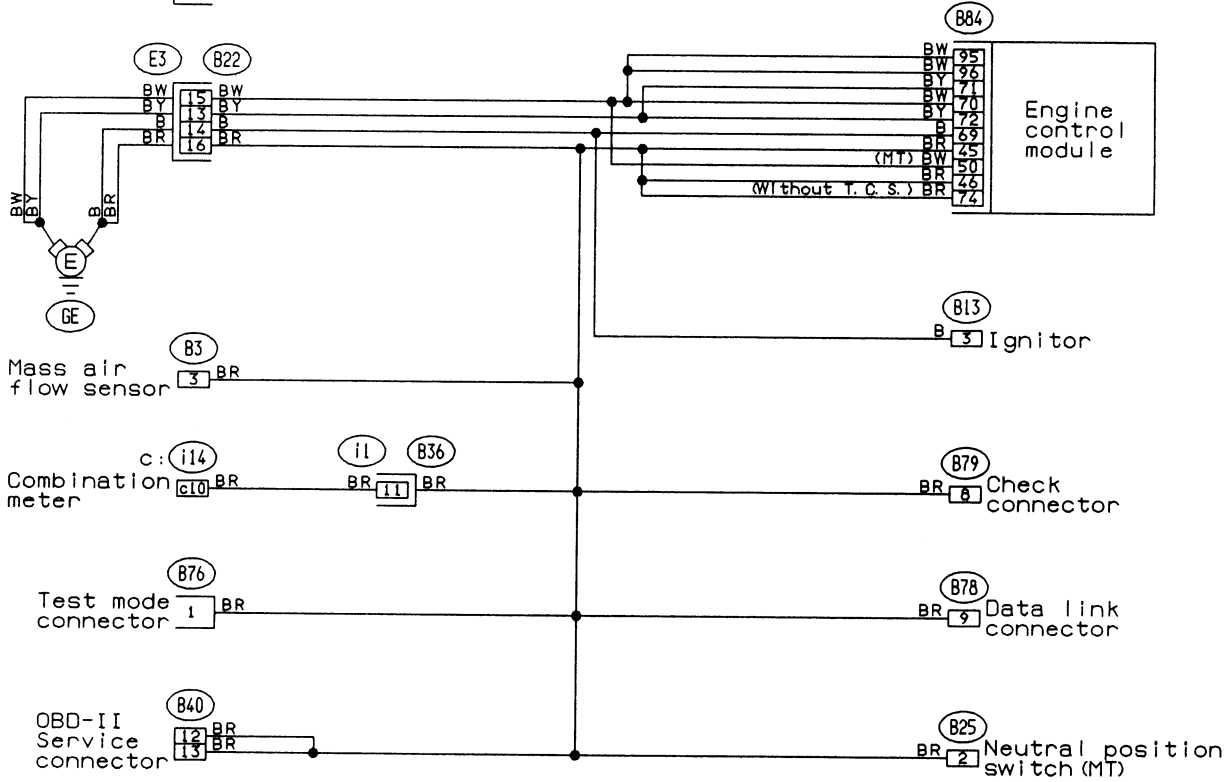
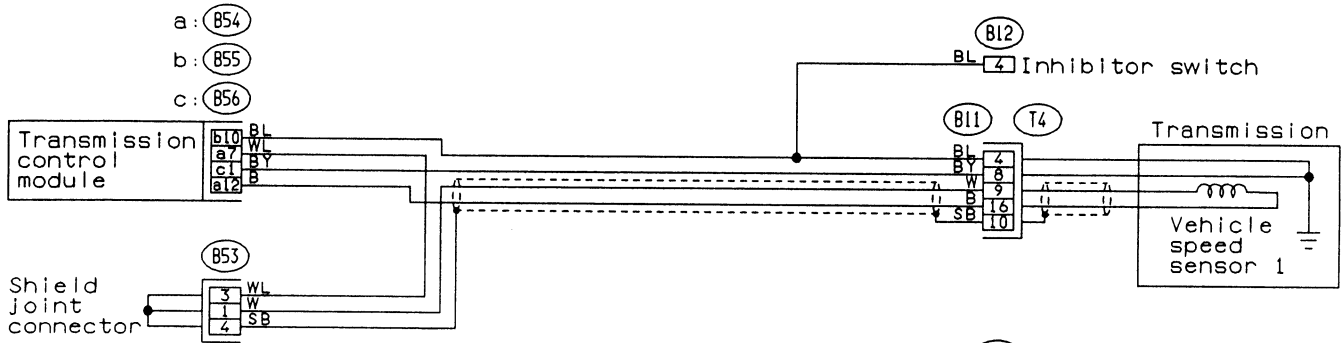
2. GROUND DISTRIBUTION

● LHD model

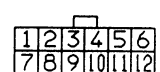
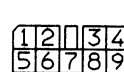
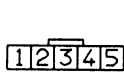
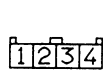


6. Wiring Diagram





(B25) (Brown) (B76) (Green) (B53) (B3) (Gray) (B13) (Gray) (B78) (Yellow) (B54) (Black)



(B12) (Gray)

(i14)

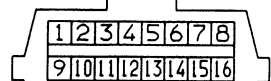
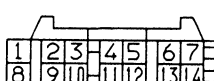
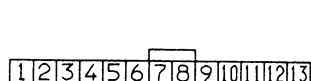
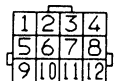
(B79) (Gray)

(B11) (Gray)

(B22) (Light gray)

(B55) (Black)

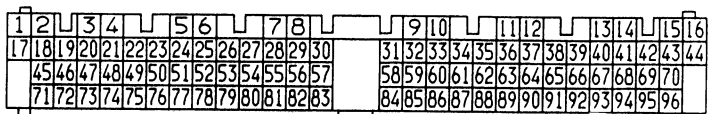
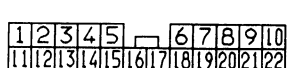
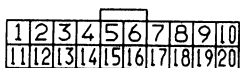
(B40) (Gray)



(B56) (Black)

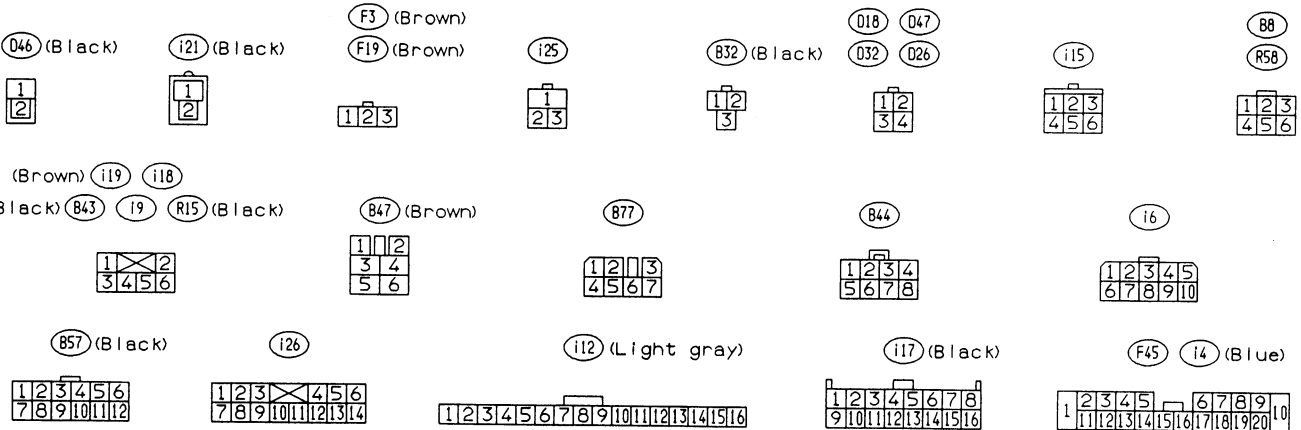
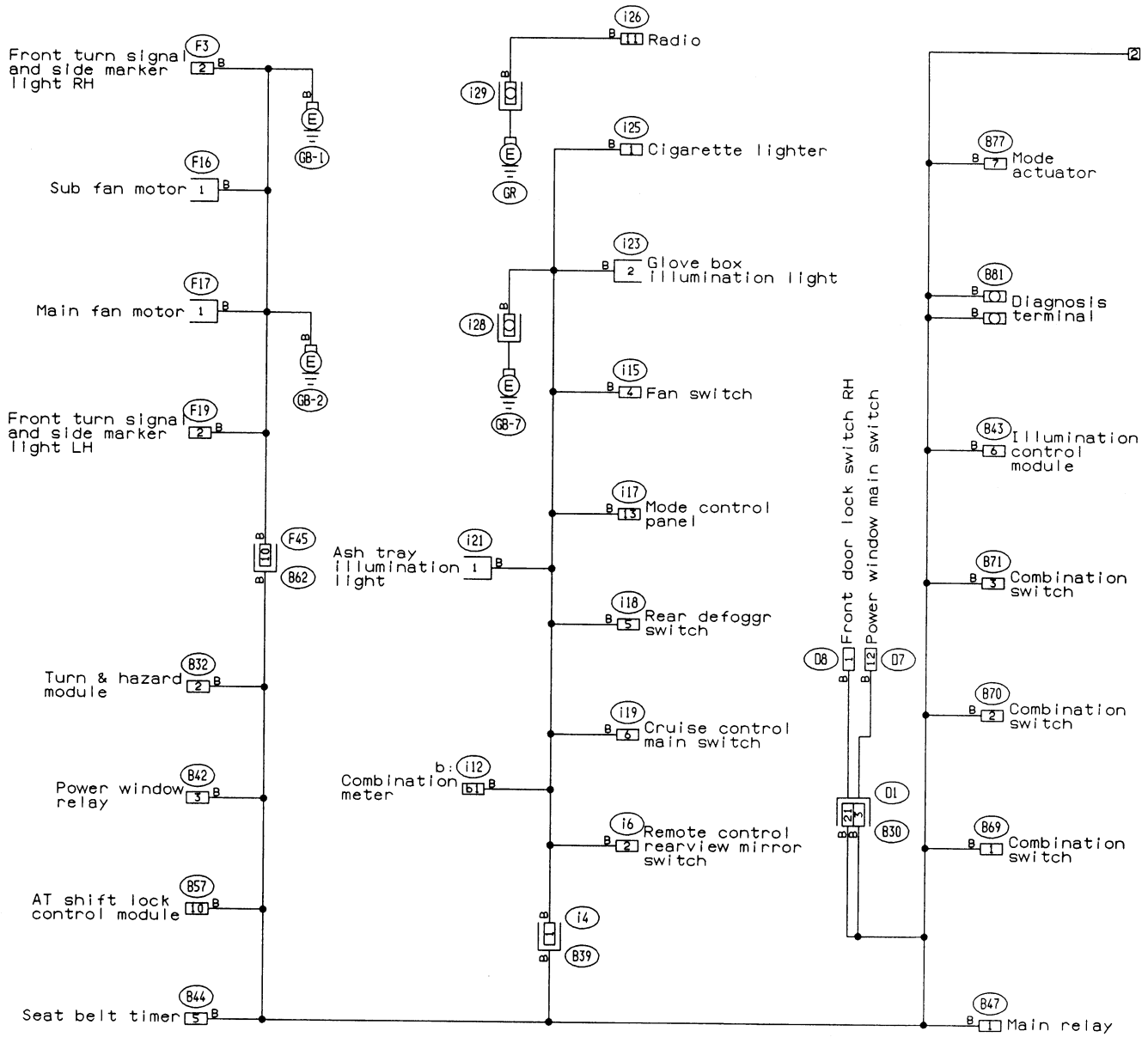
(i1) (Black)

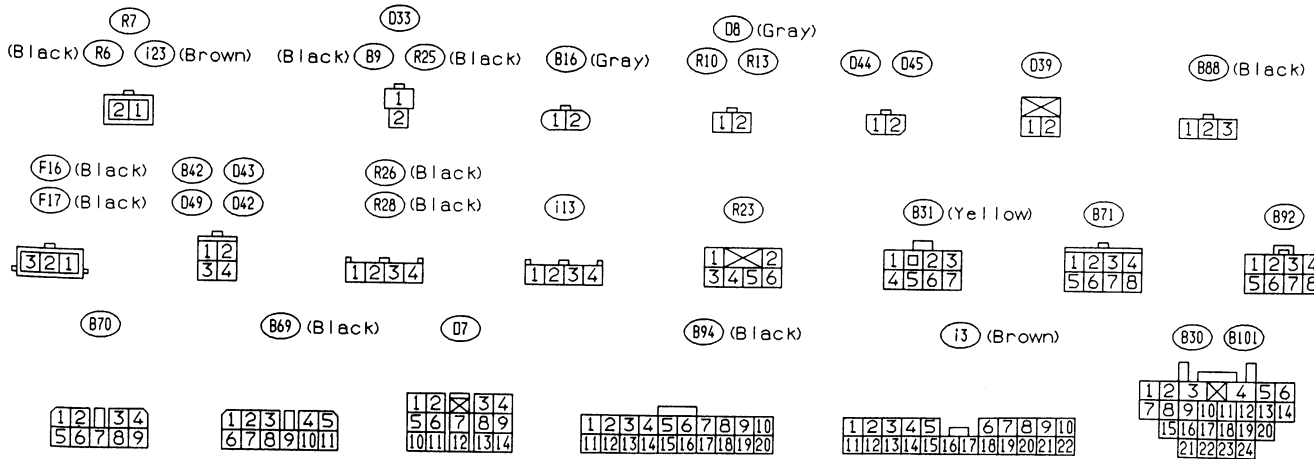
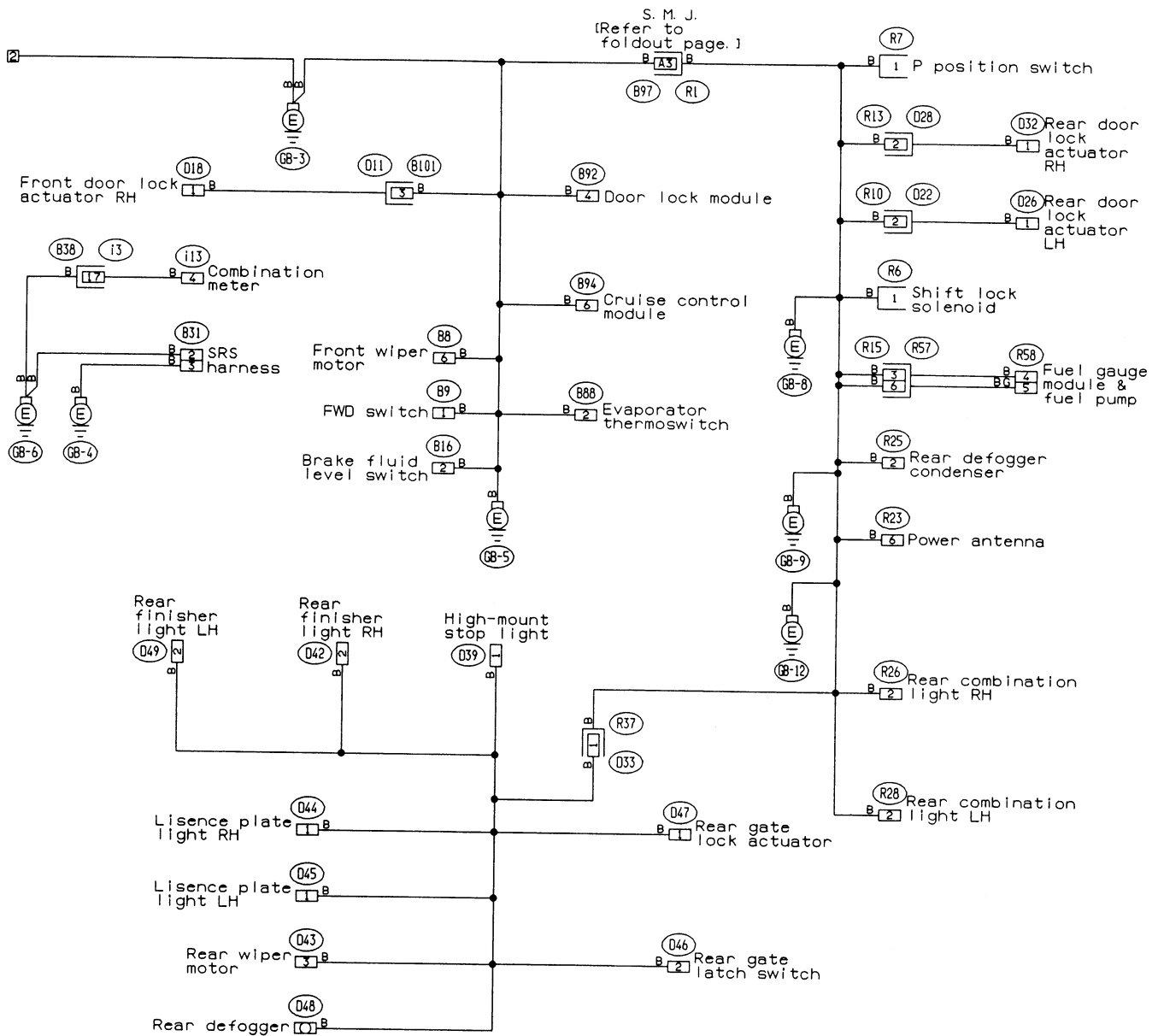
(B84) (Dark gray)



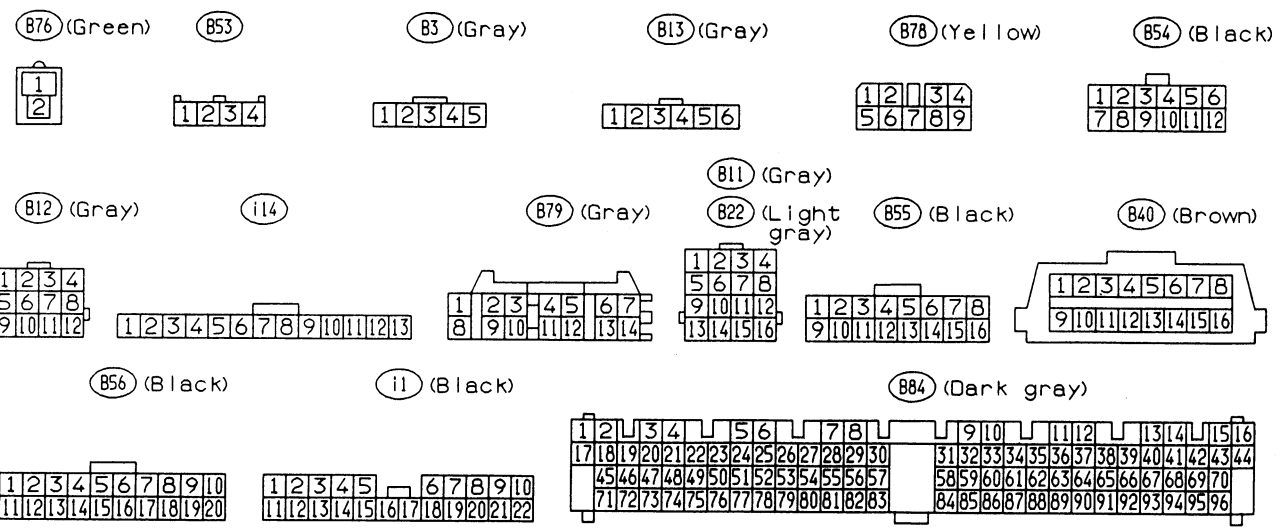
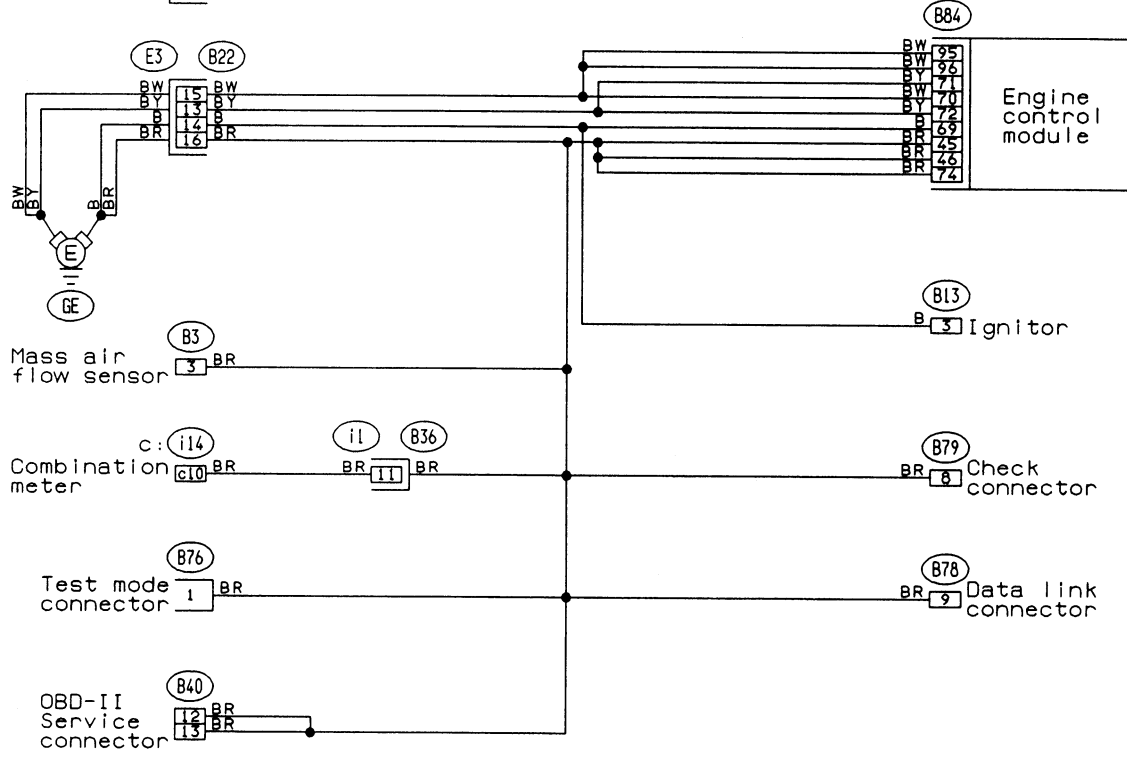
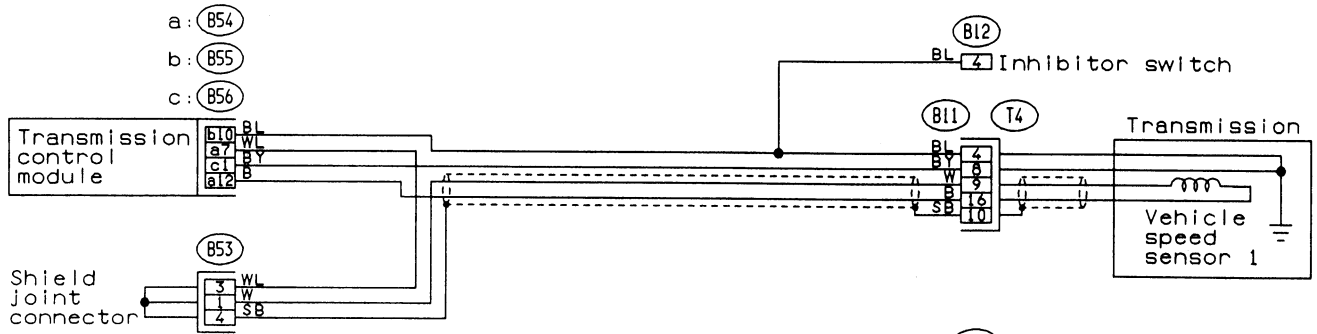
2. GROUND DISTRIBUTION

● RHD model



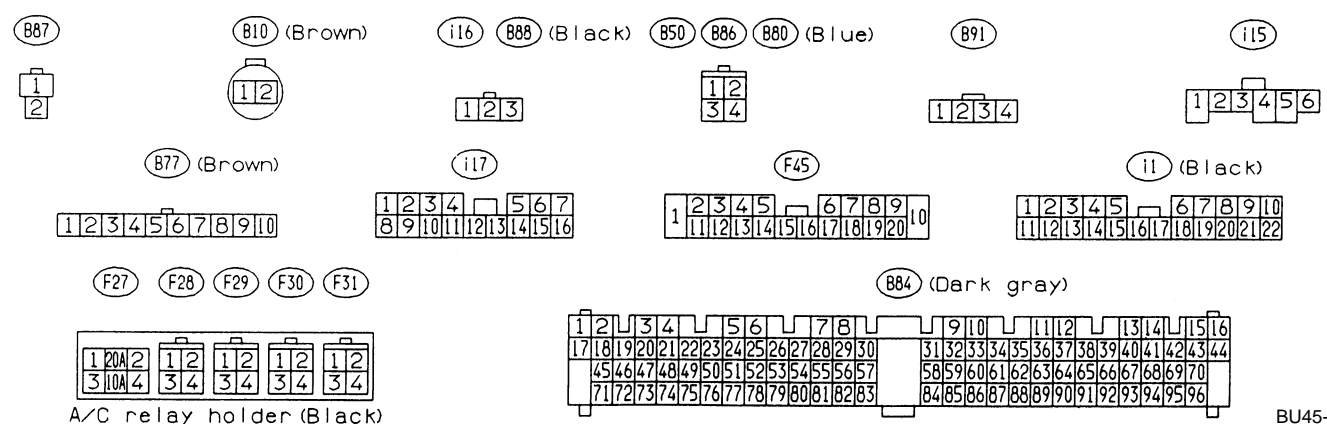
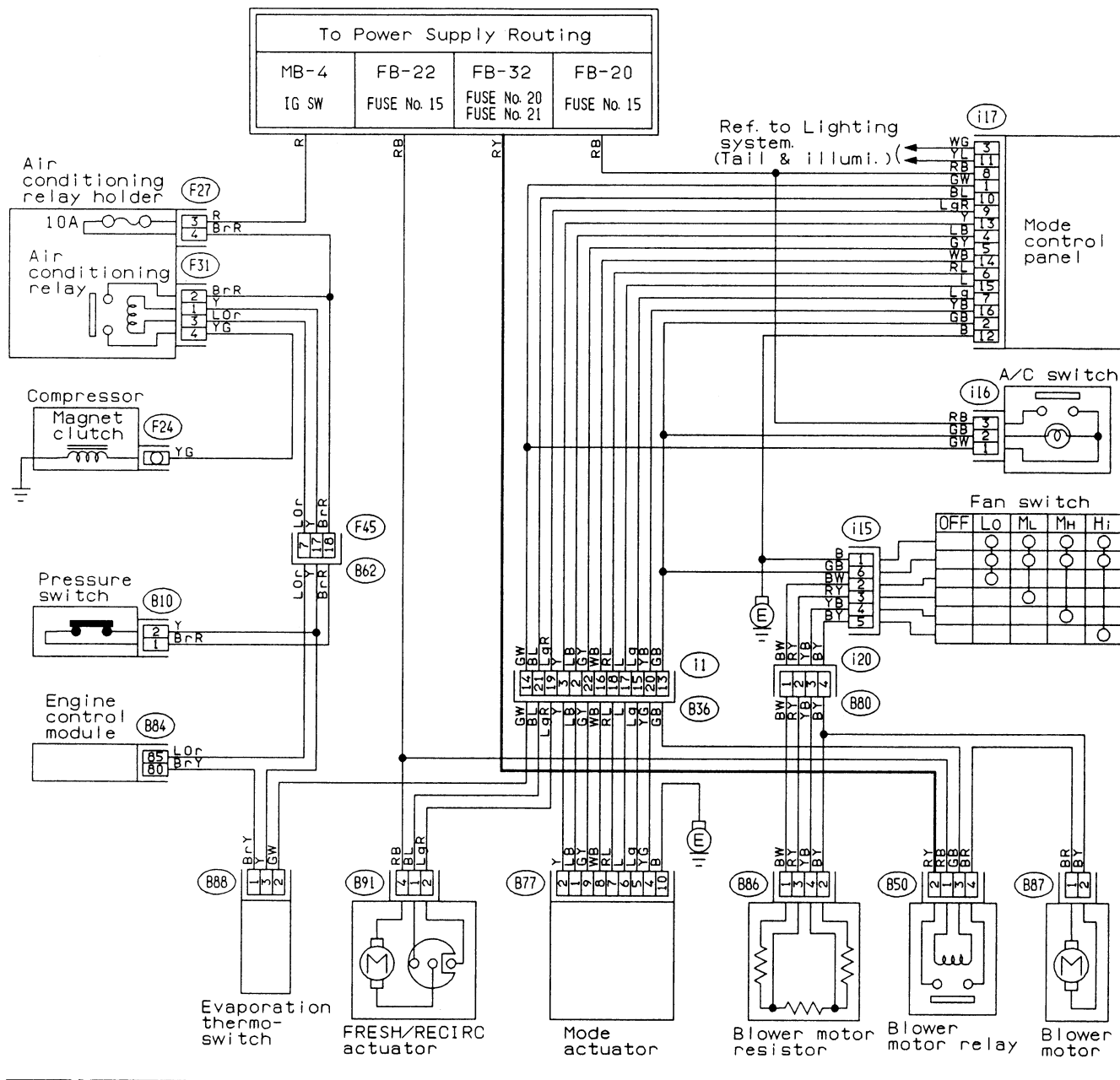


6. Wiring Diagram



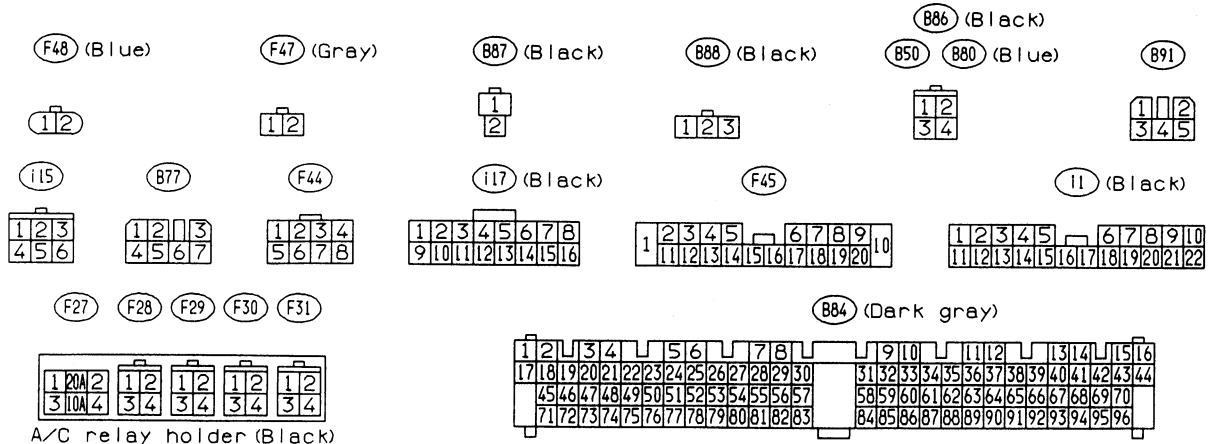
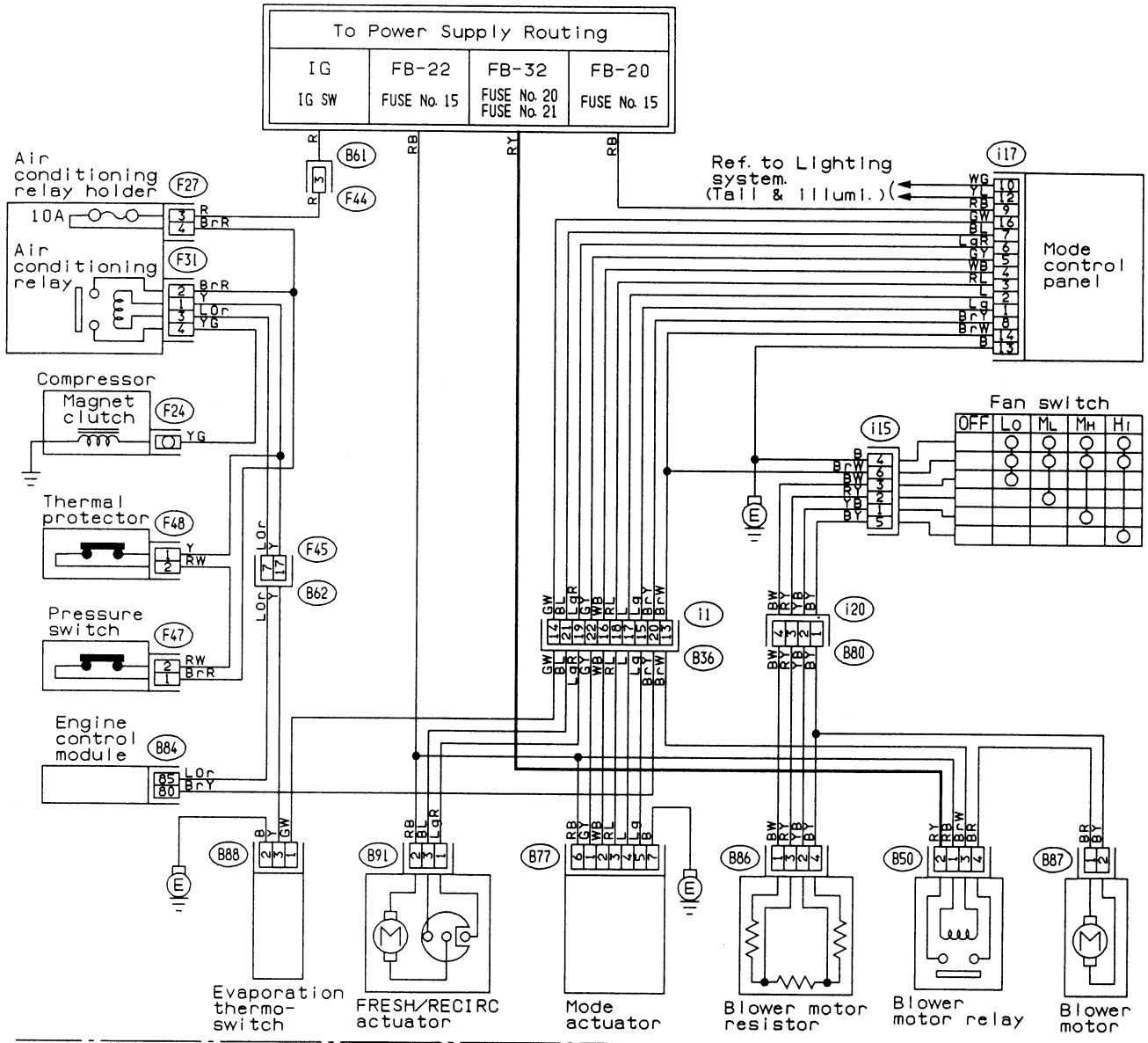
3. AIR CONDITIONING SYSTEM

● LHD model

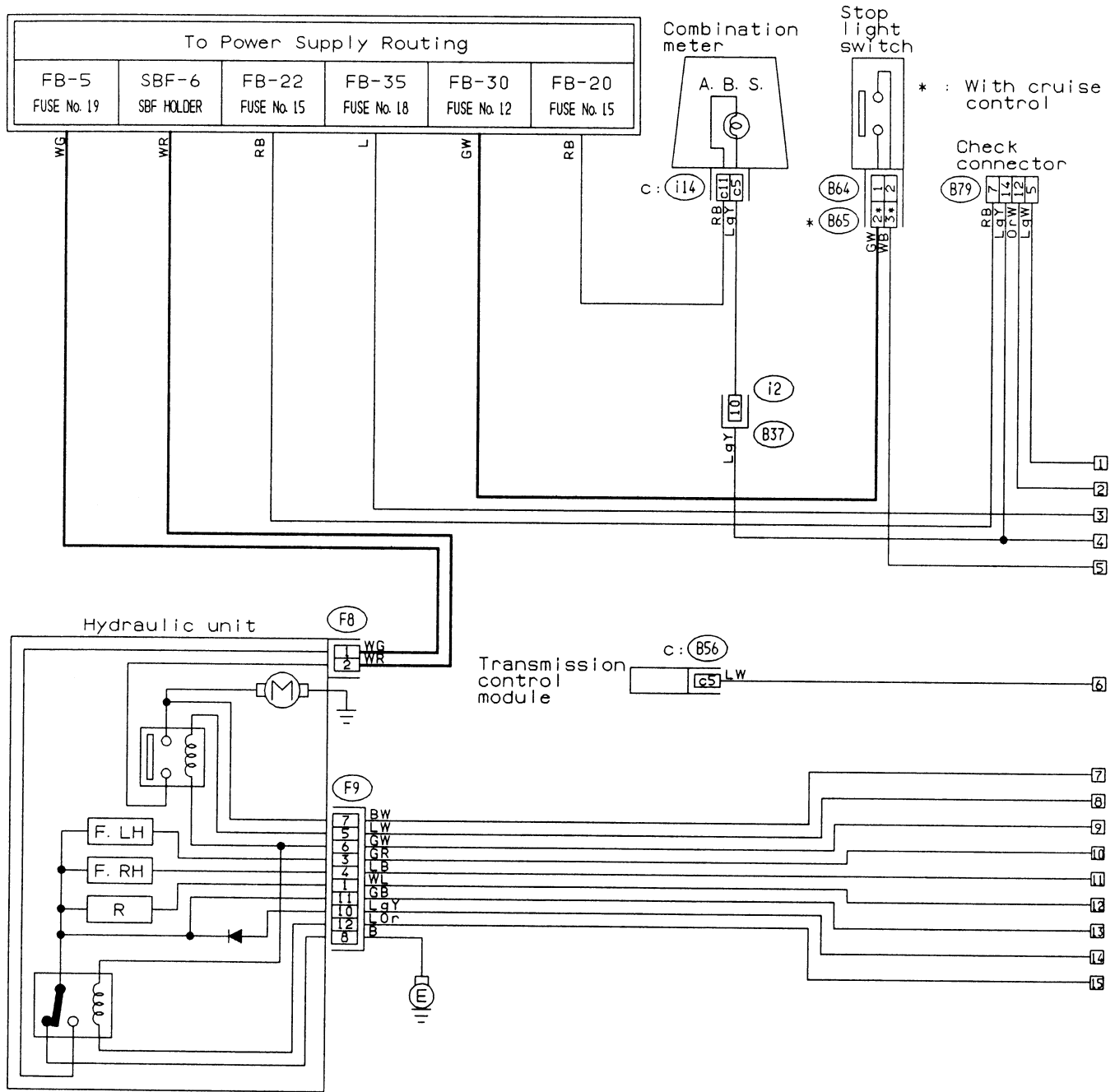


3. AIR CONDITIONING SYSTEM

● RHD model



4. ANTI-LOCK BRAKE SYSTEM

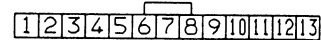
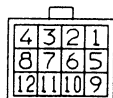


(Black) (B64) (F8) (Gray)

(B65) (Black)

(F9) (Black)

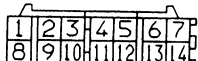
(i14)



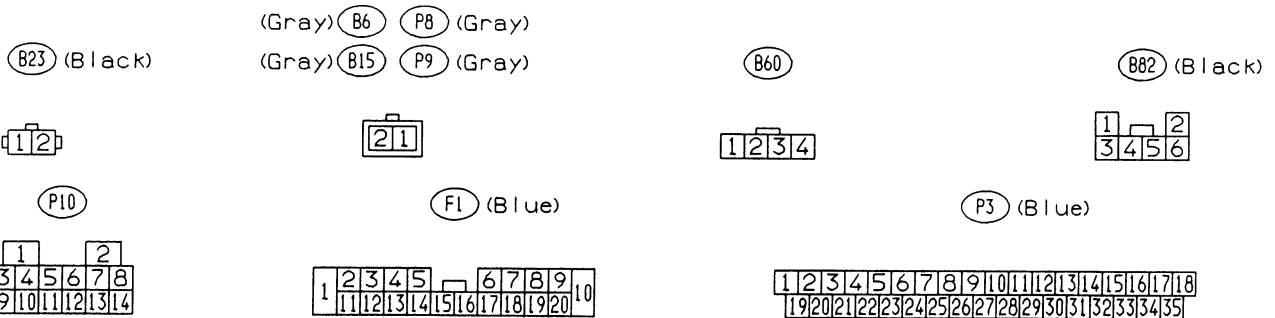
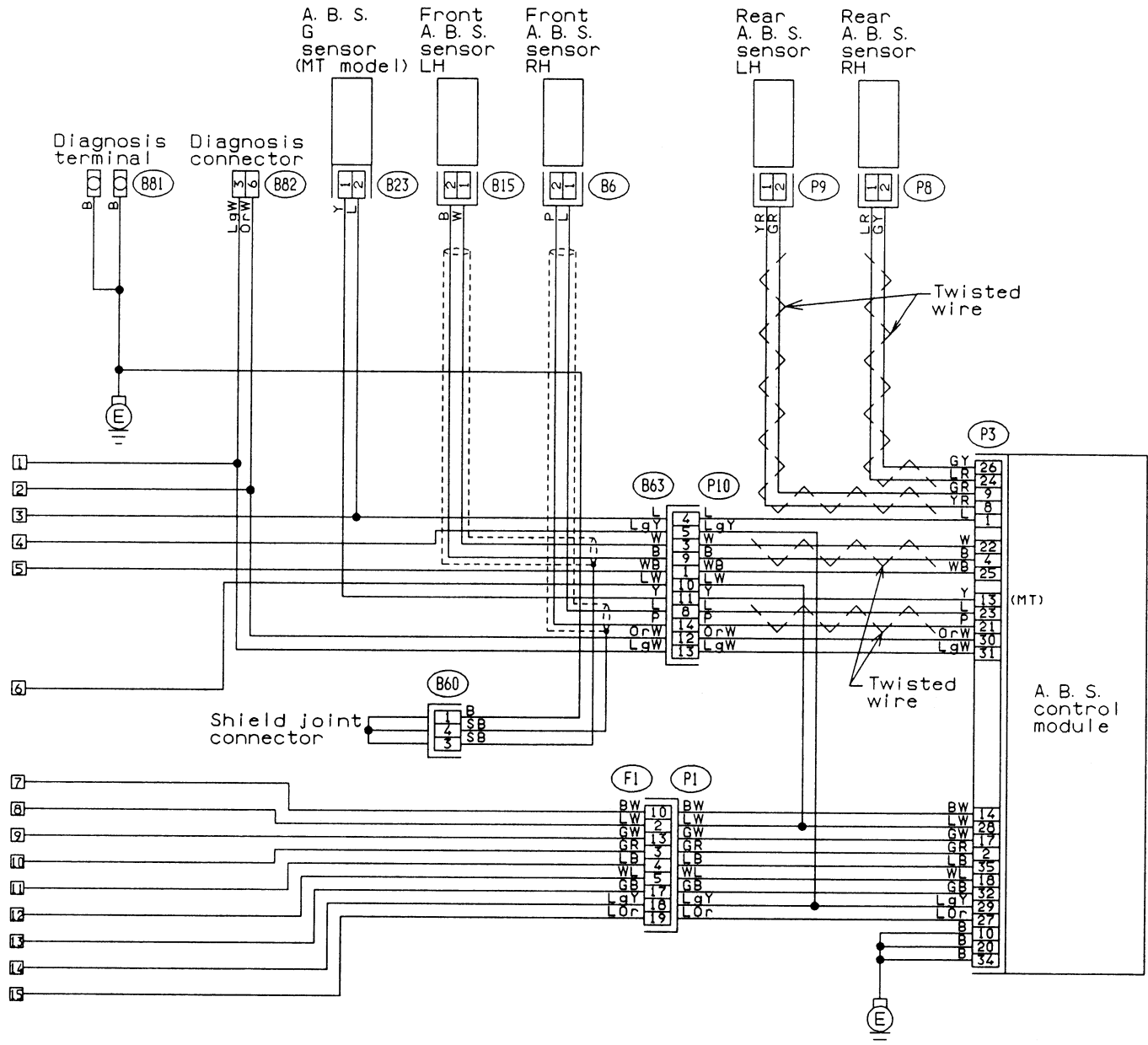
(B79) (Gray)

(B56) (Black)

(i2)

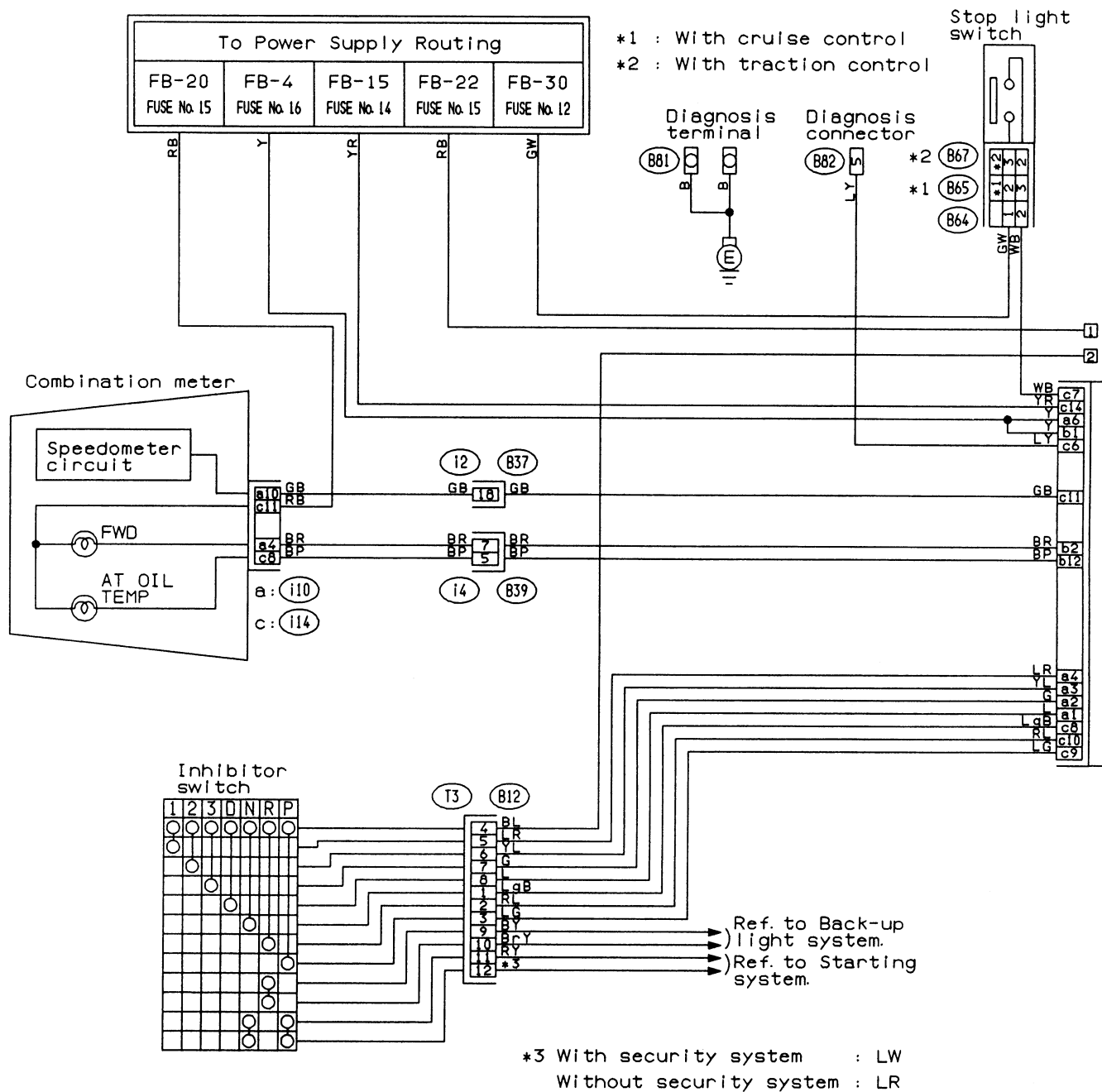


6. Wiring Diagram

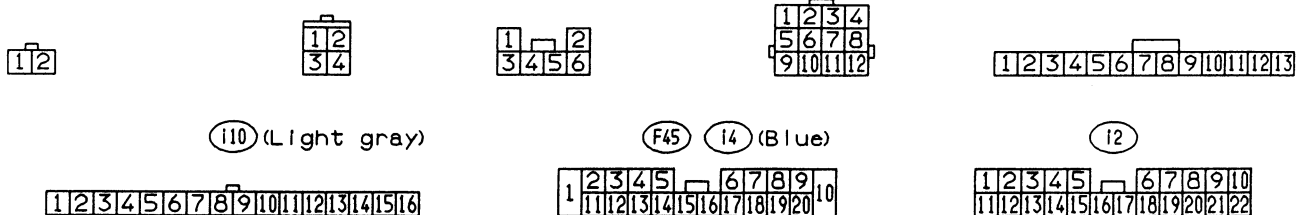


5. AT CONTROL SYSTEM

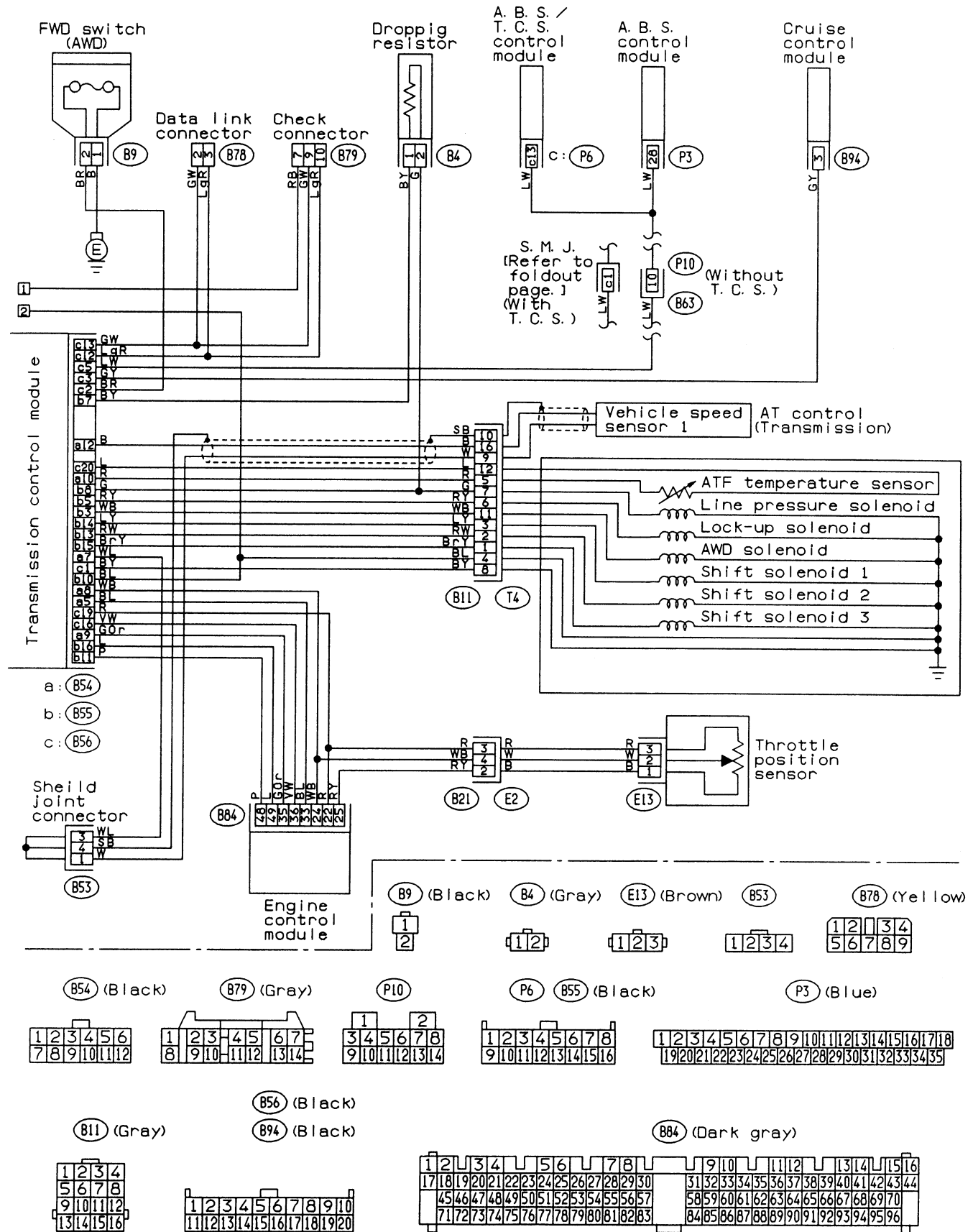
● LHD model



(B64) (Black) (Black) (B65) (B67) (Black) (B82) (Black) (Gray) (B12) (B21) (Light gray) (i14)

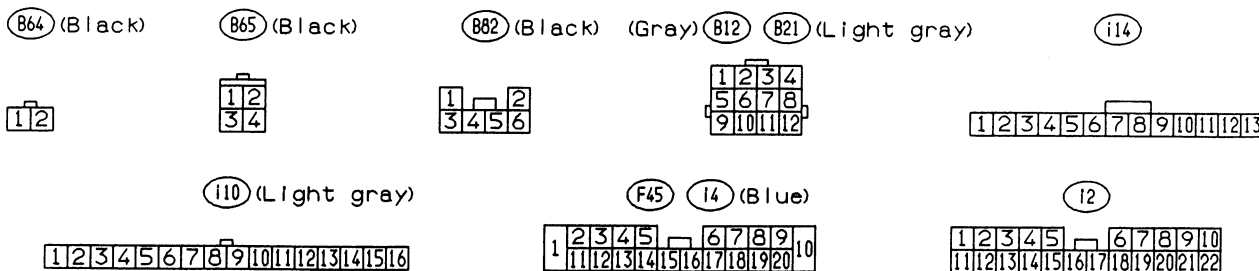
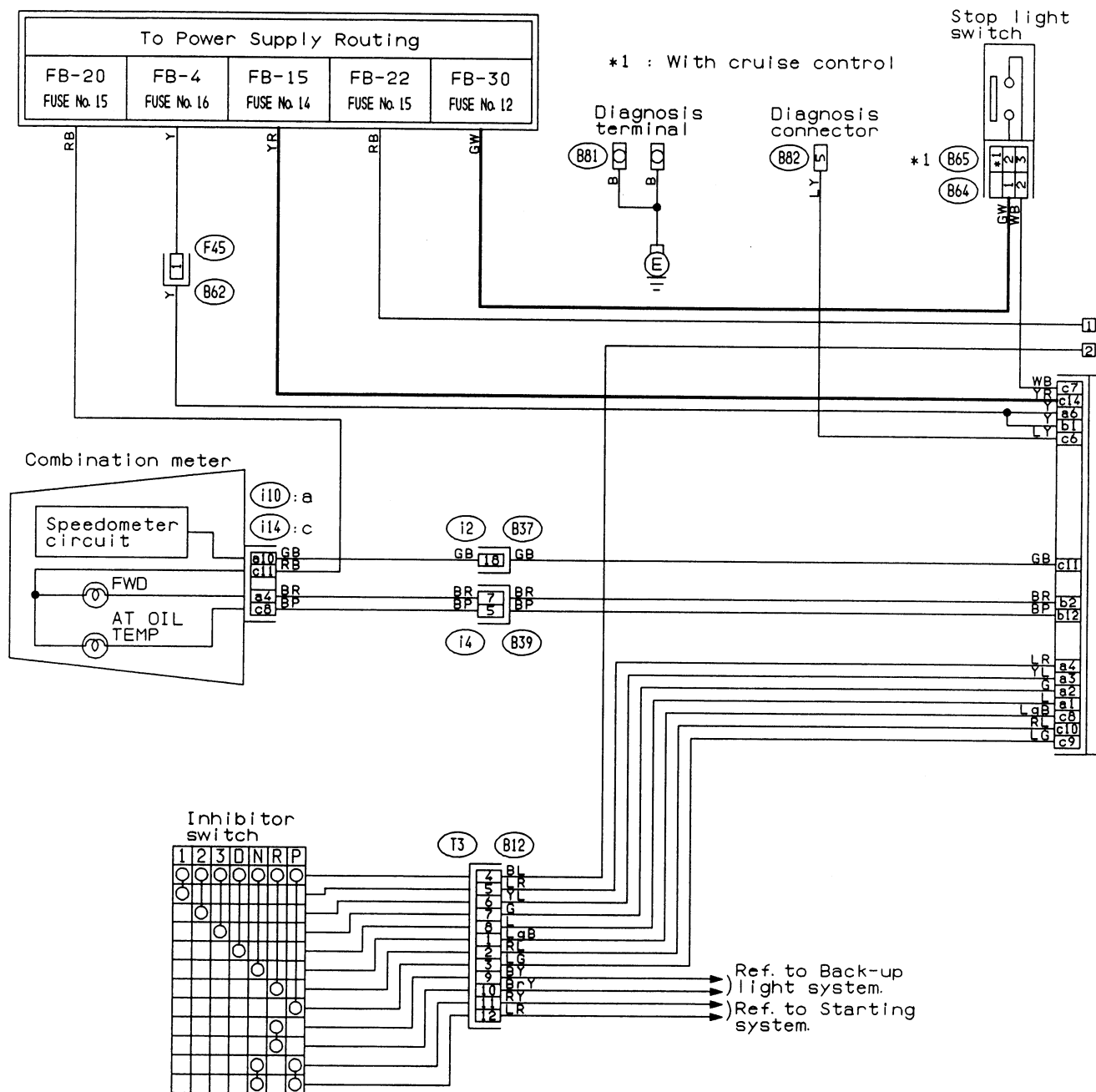


6. Wiring Diagram

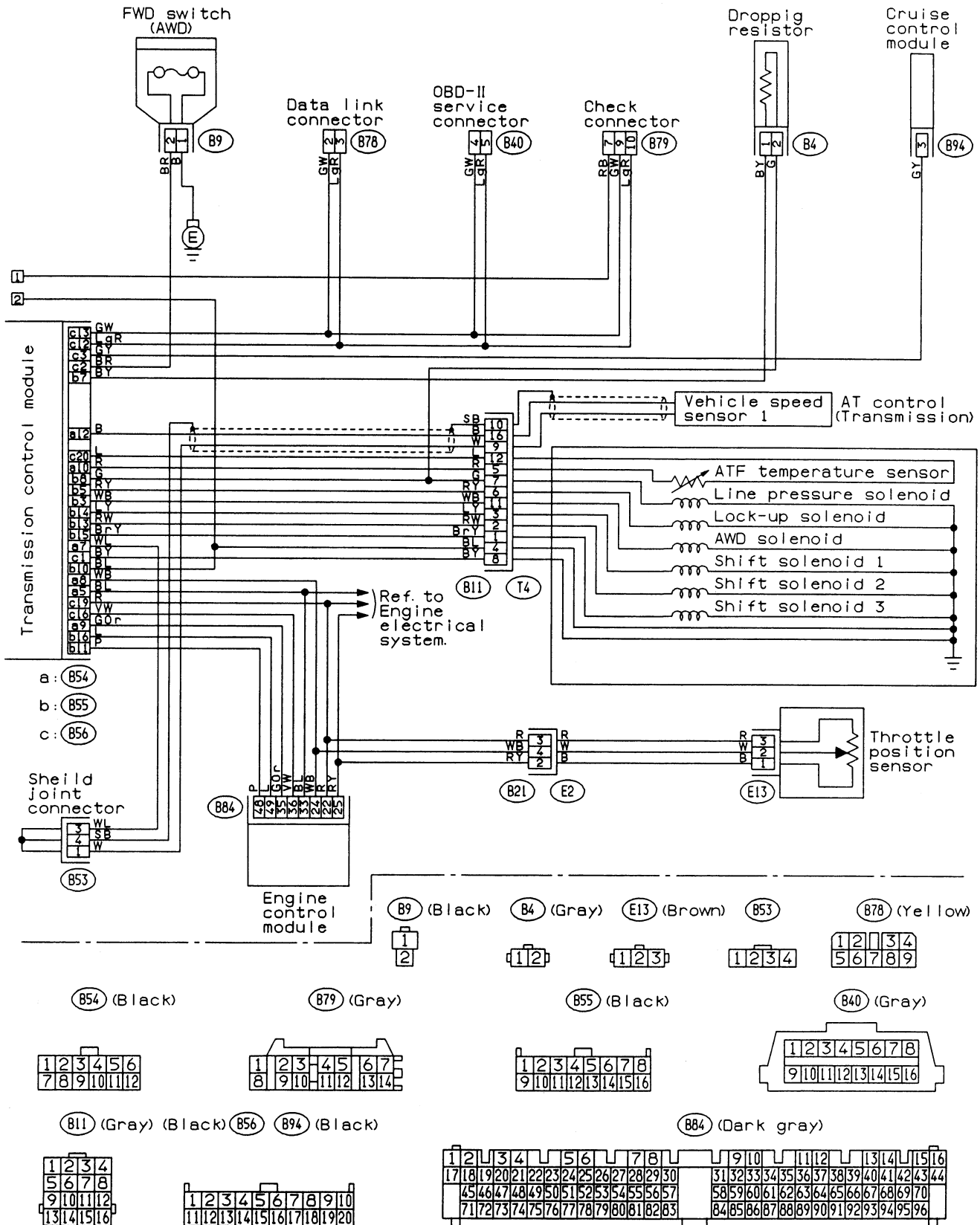


5. AT CONTROL SYSTEM

● RHD model

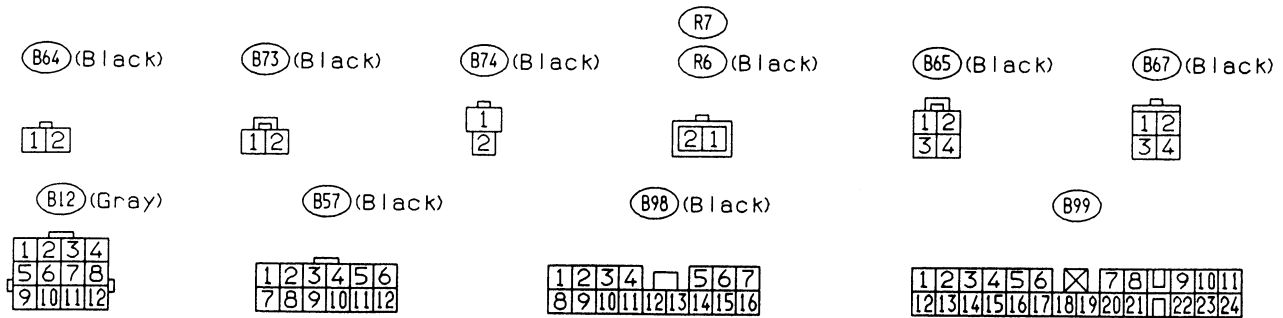
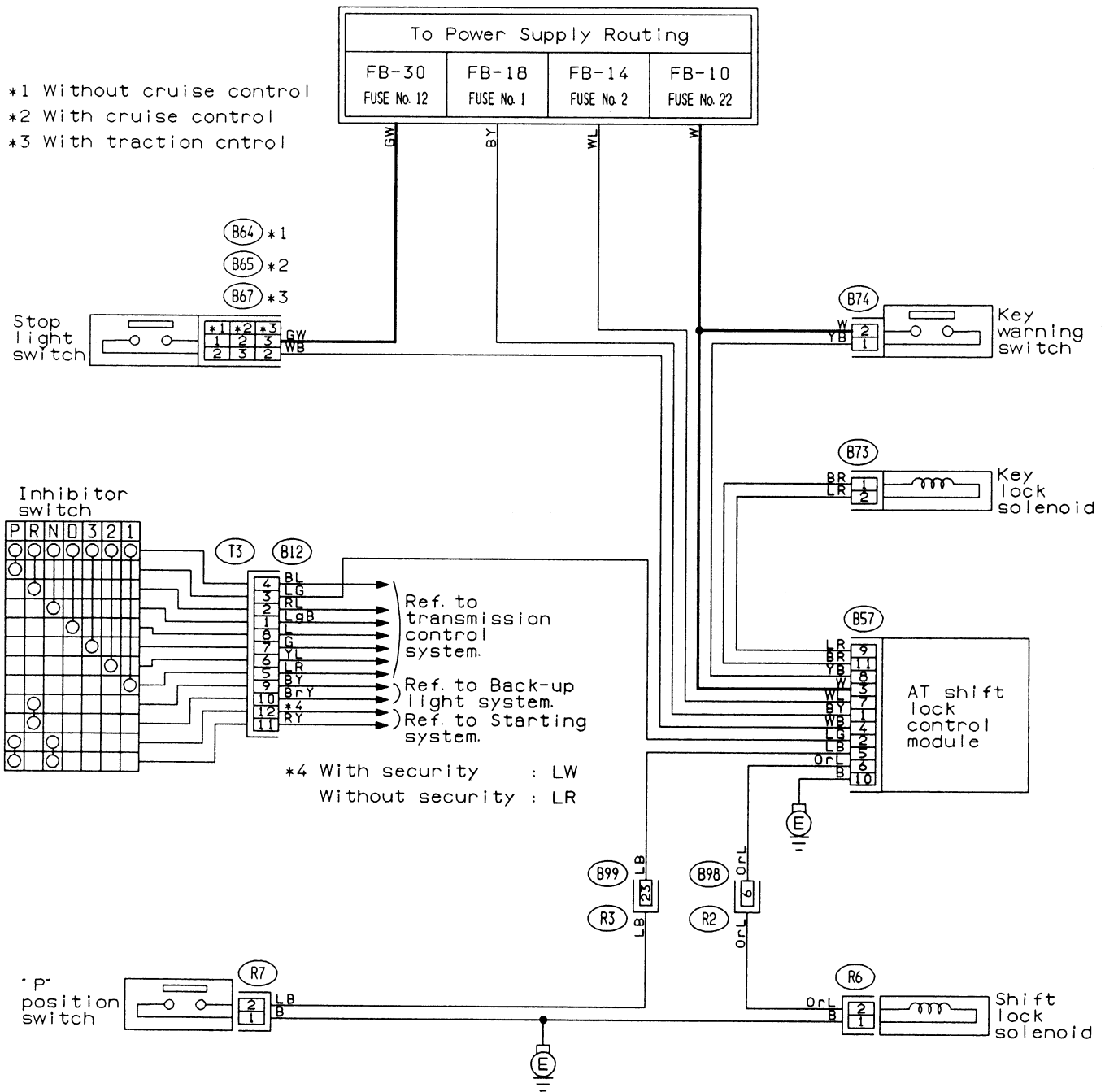


6. Wiring Diagram



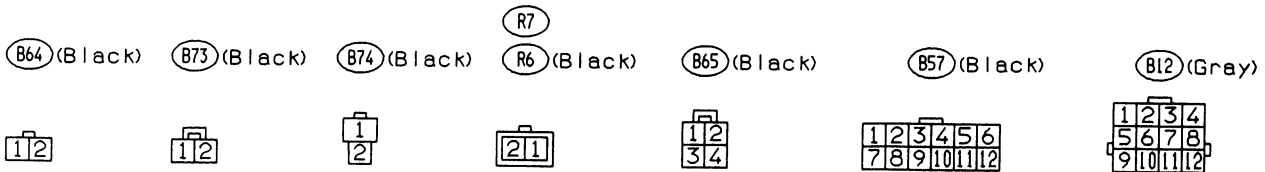
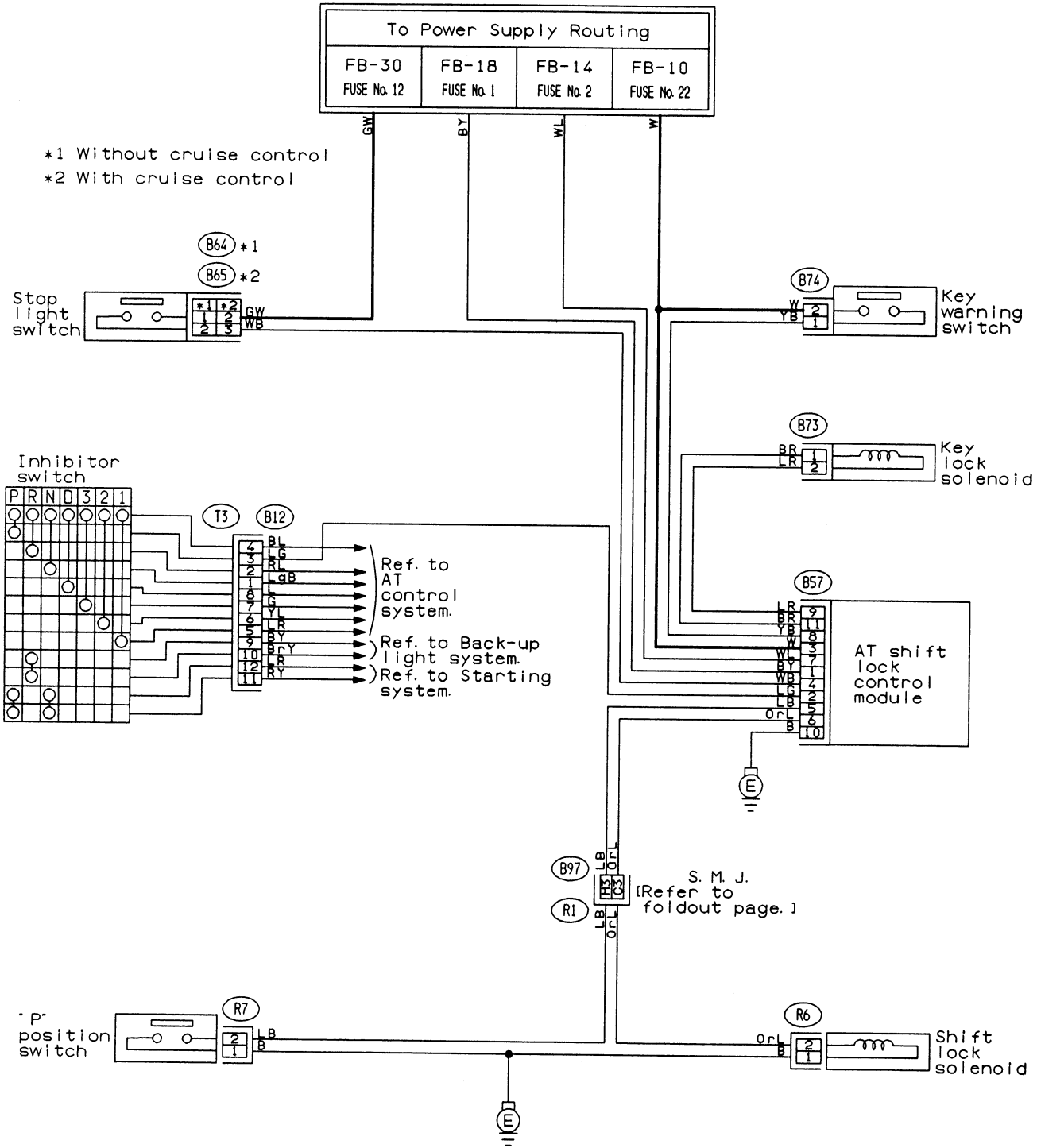
6. AT SHIFT LOCK SYSTEM

● LHD model



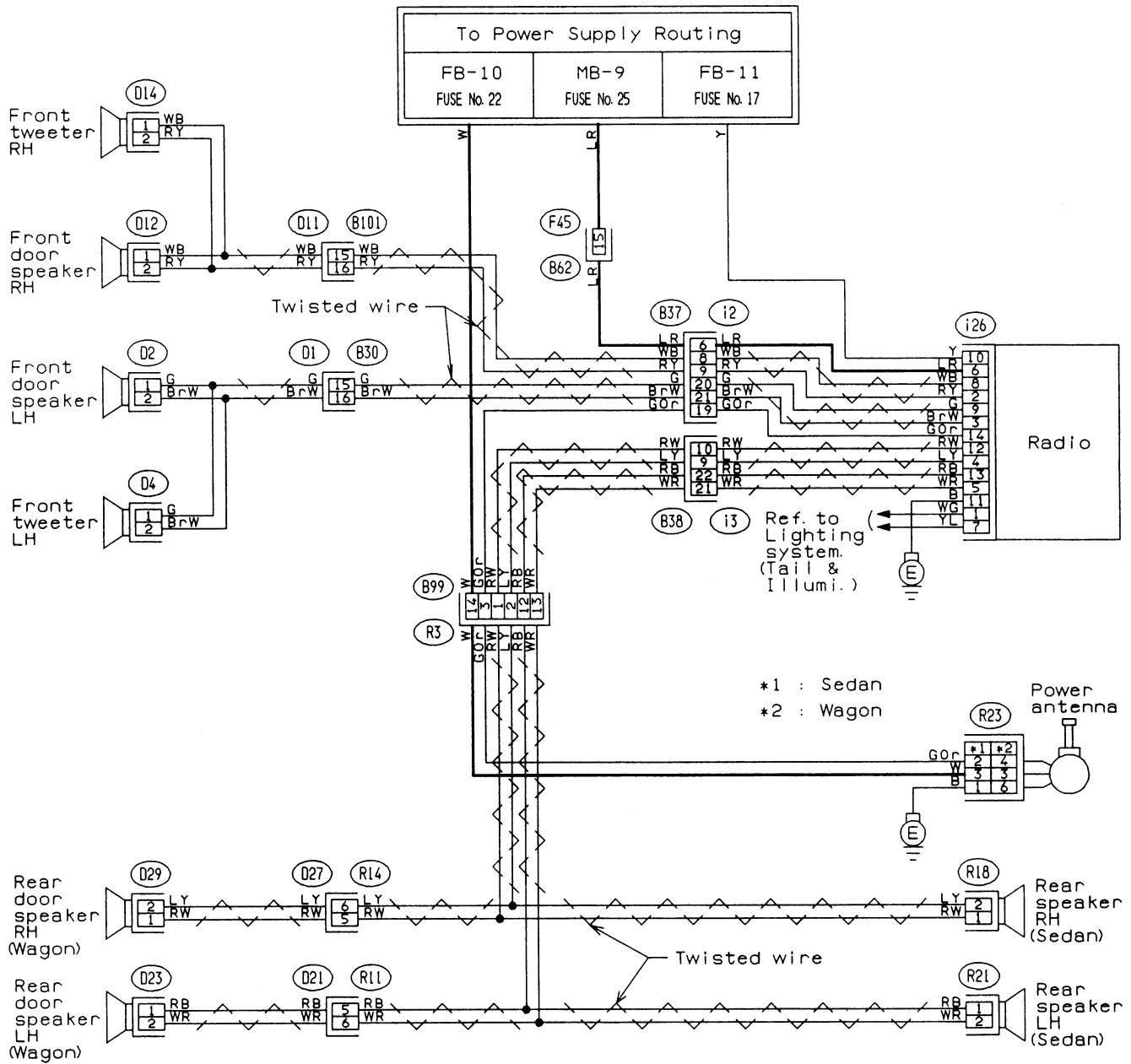
6. AT SHIFT LOCK SYSTEM

● RHD model

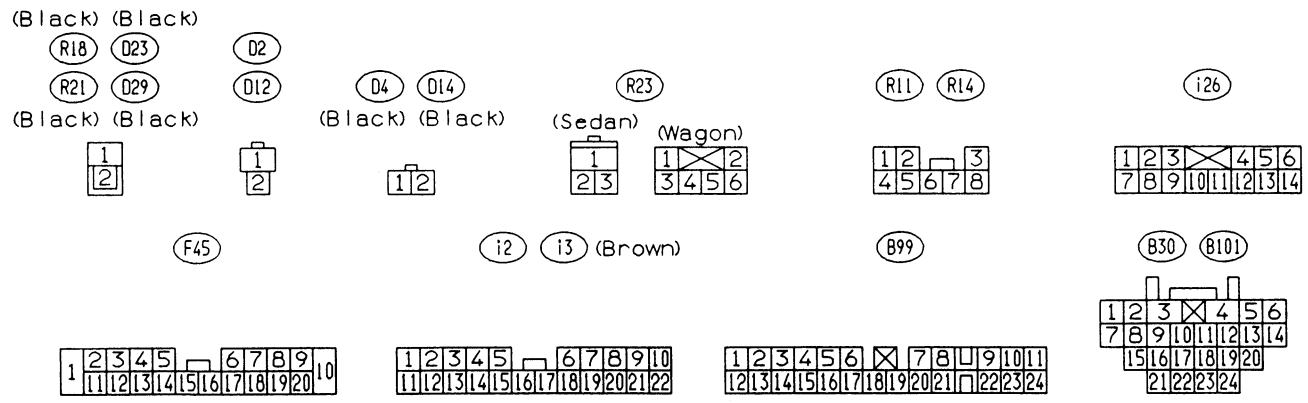


7. AUDIO SYSTEM

● LHD model

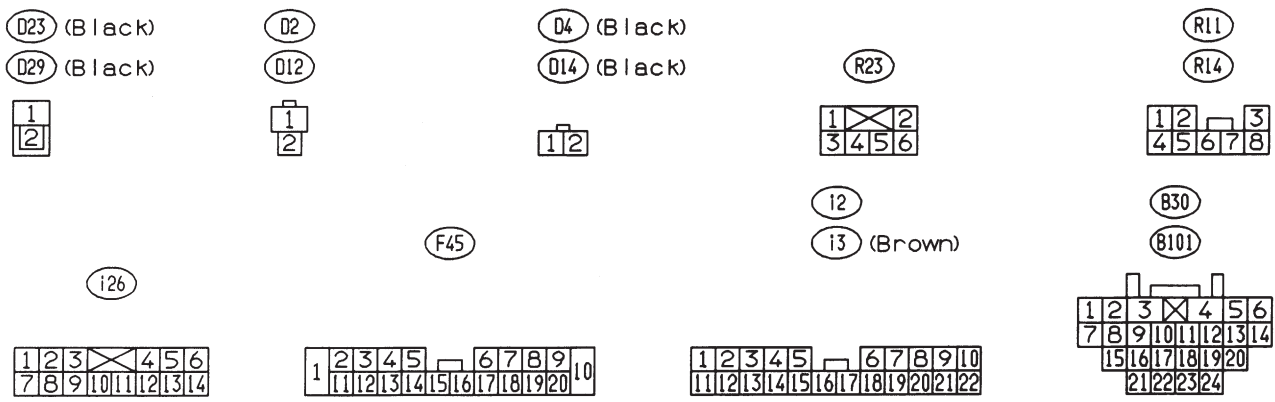
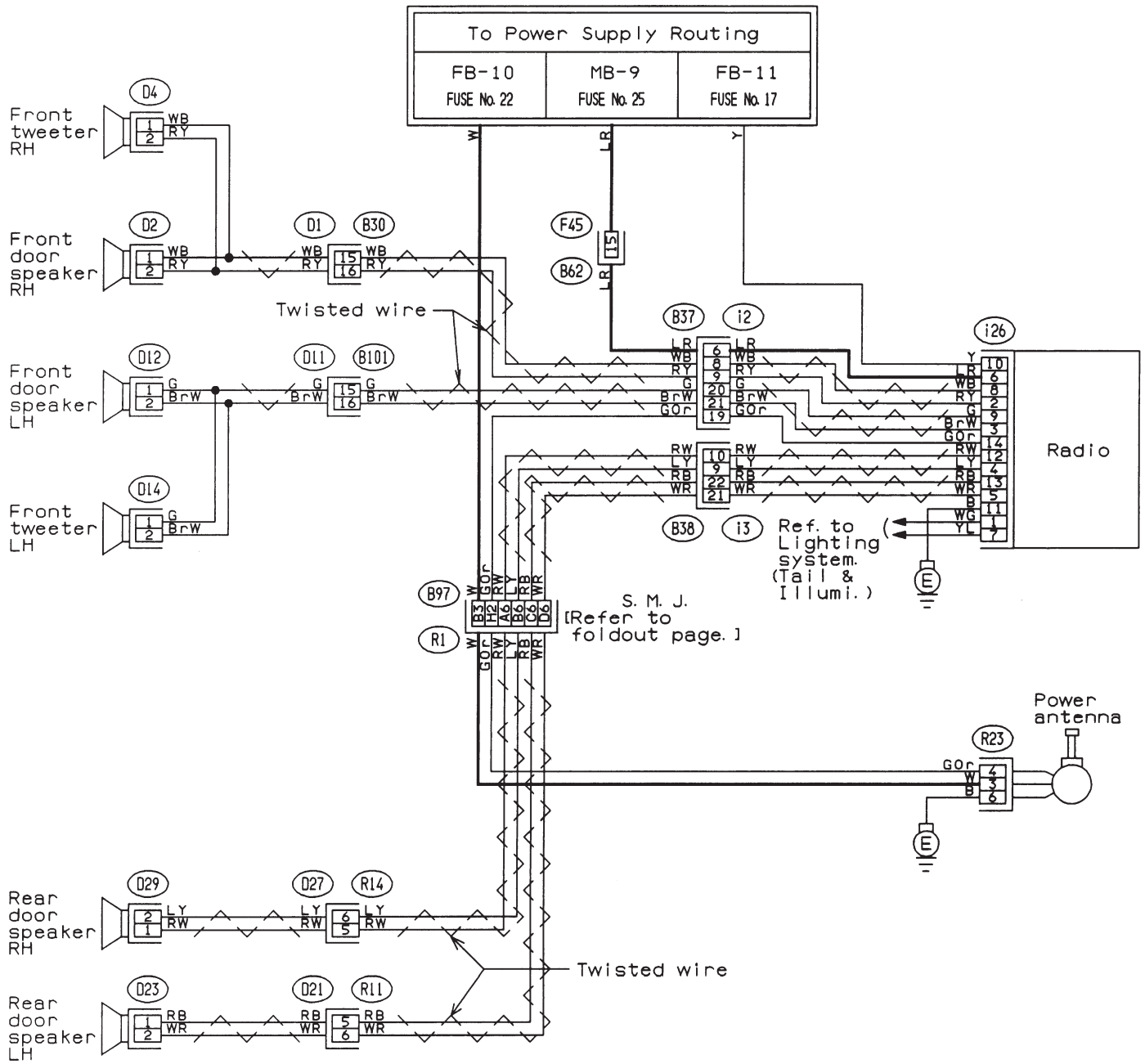


*1 : Sedan
*2 : Wagon



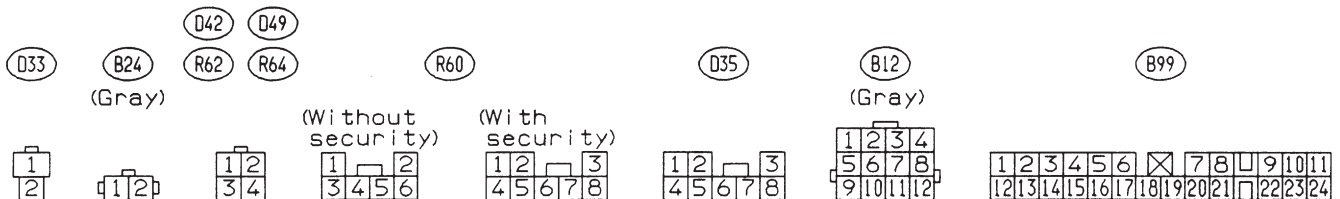
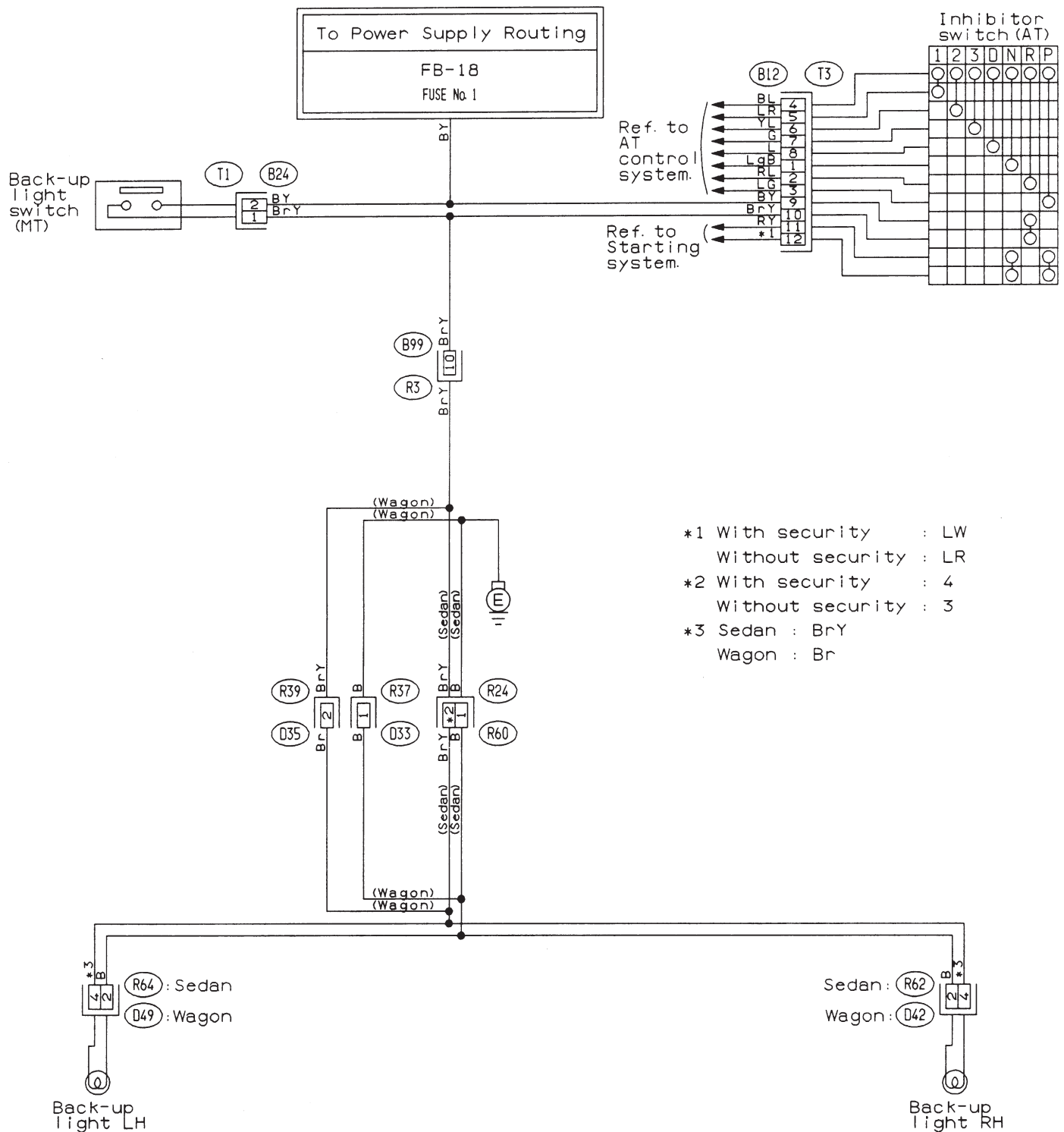
7. AUDIO SYSTEM

● RHD model



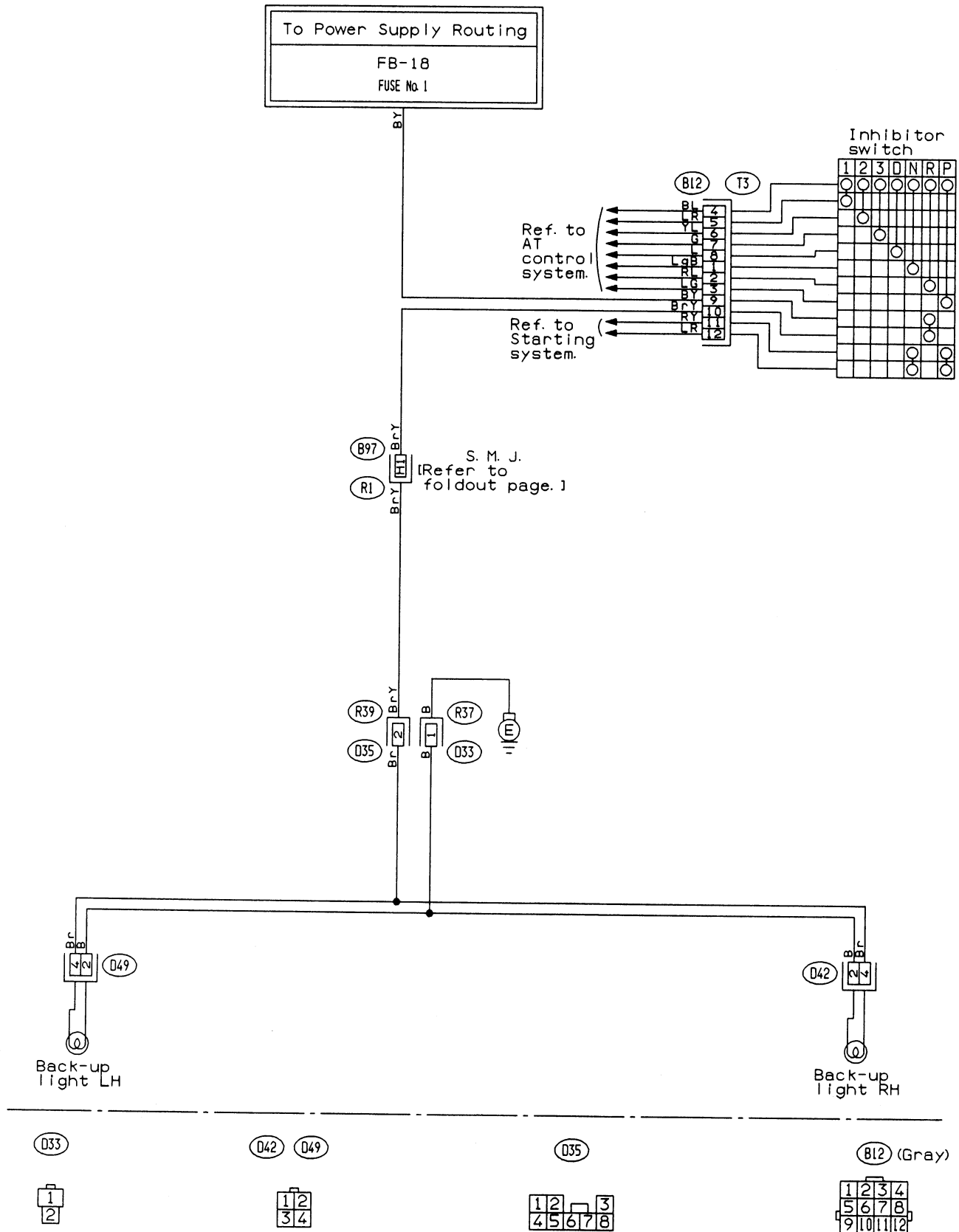
8. BACK-UP LIGHT SYSTEM

● LHD model

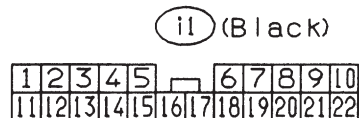
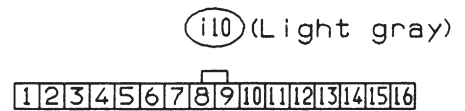
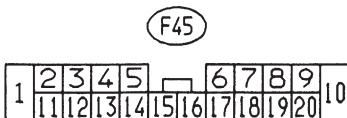
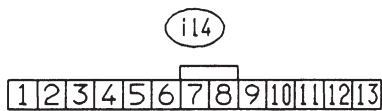
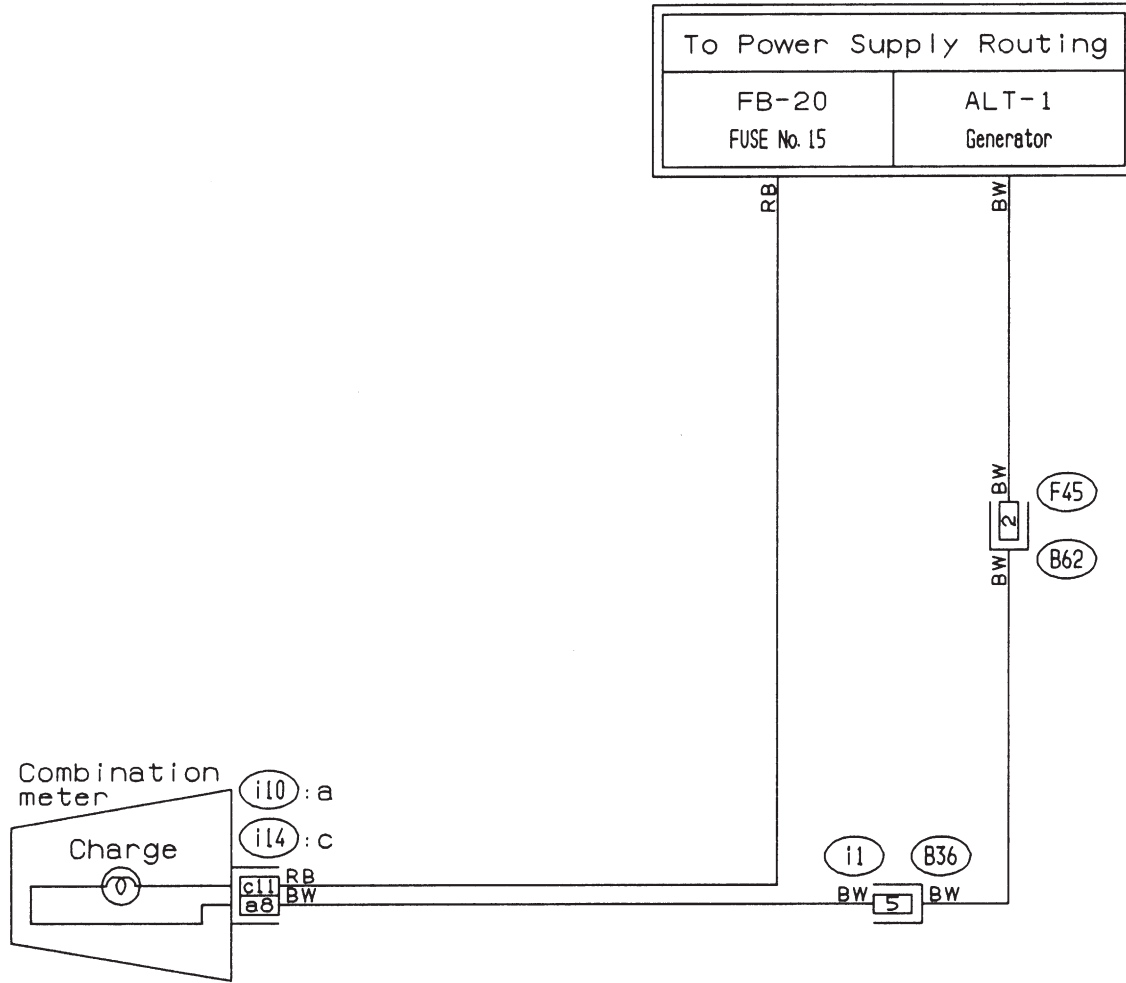


8. BACK-UP LIGHT SYSTEM

- RHD model

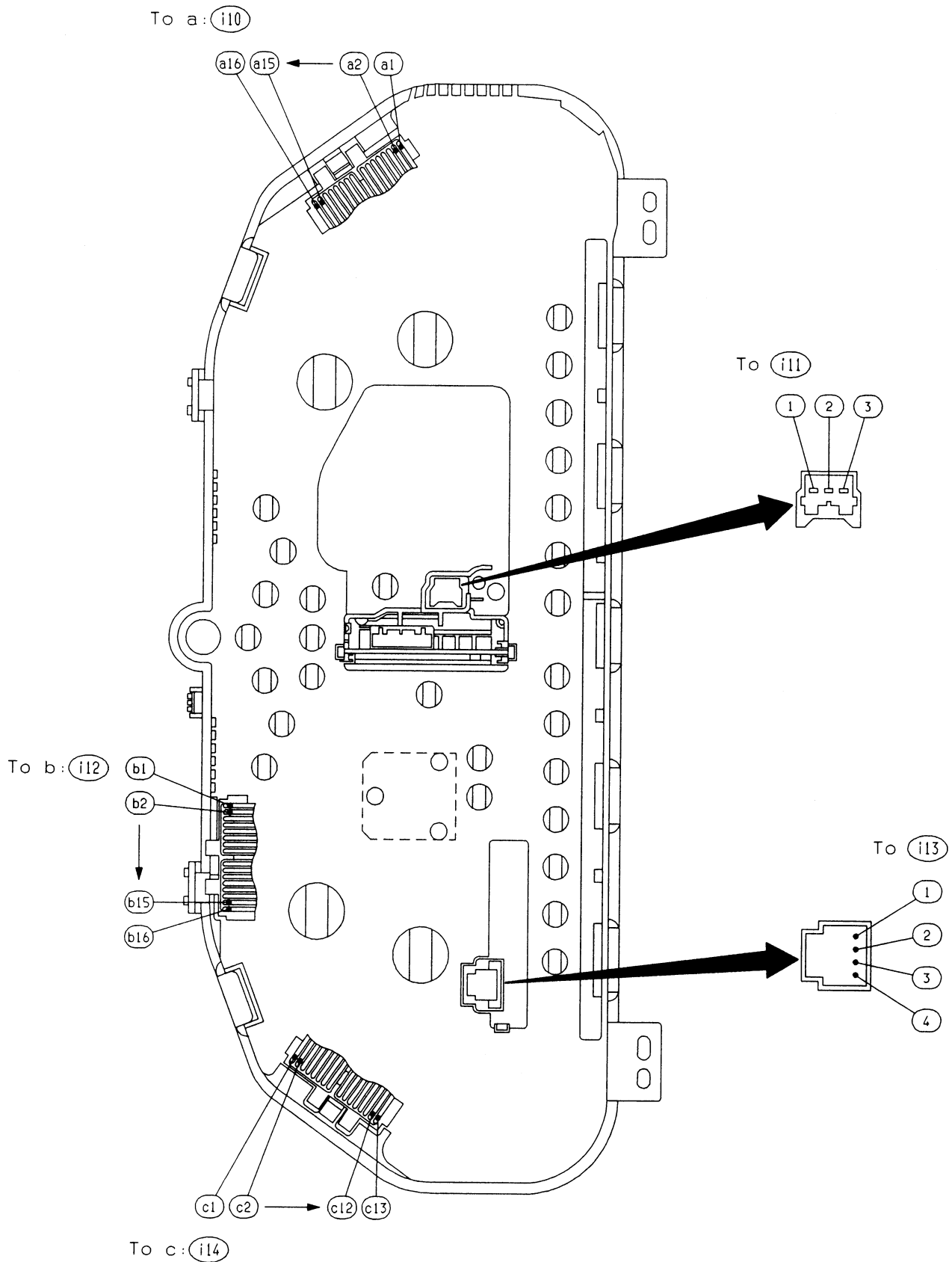


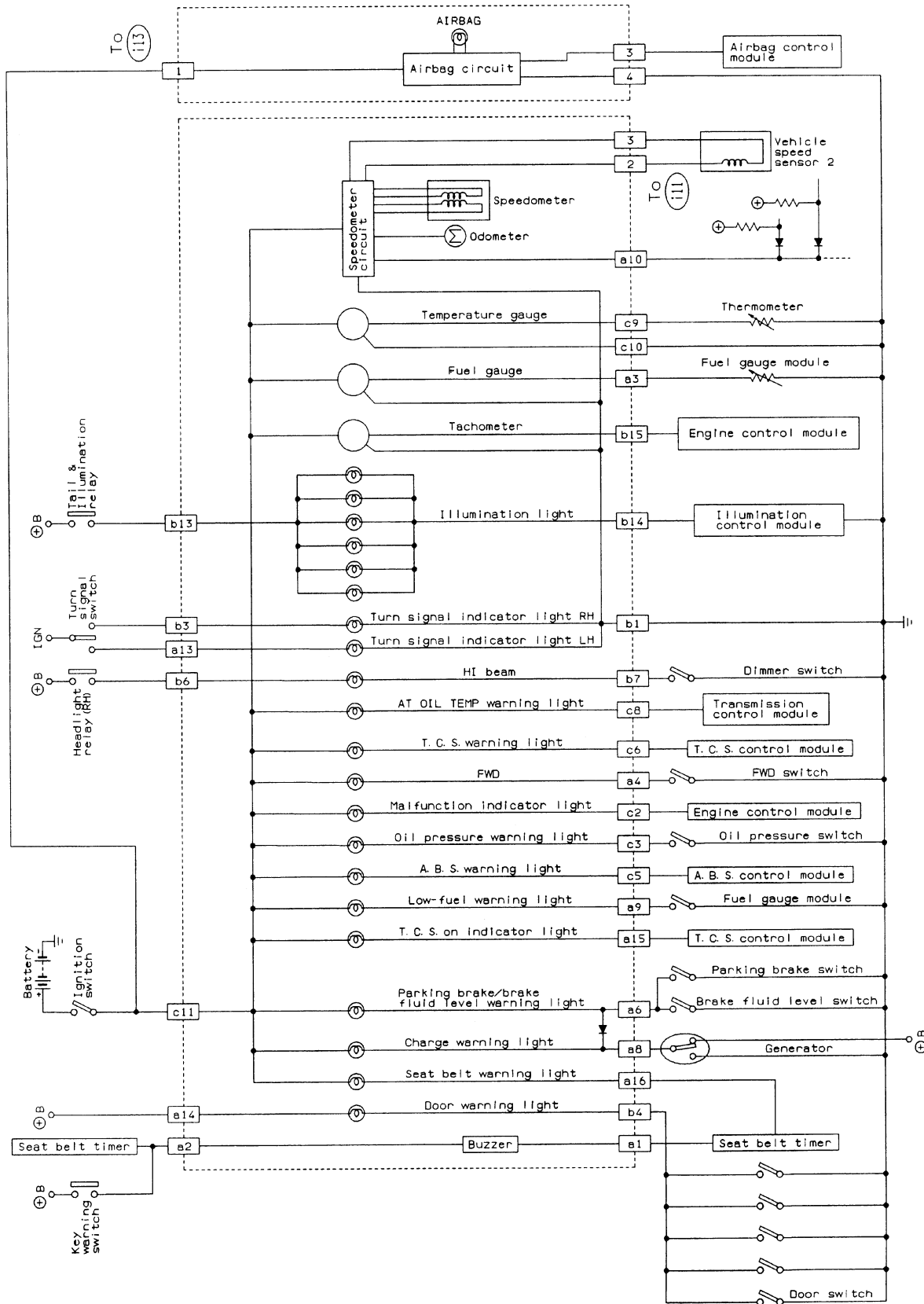
9. CHARGE WARNING SYSTEM



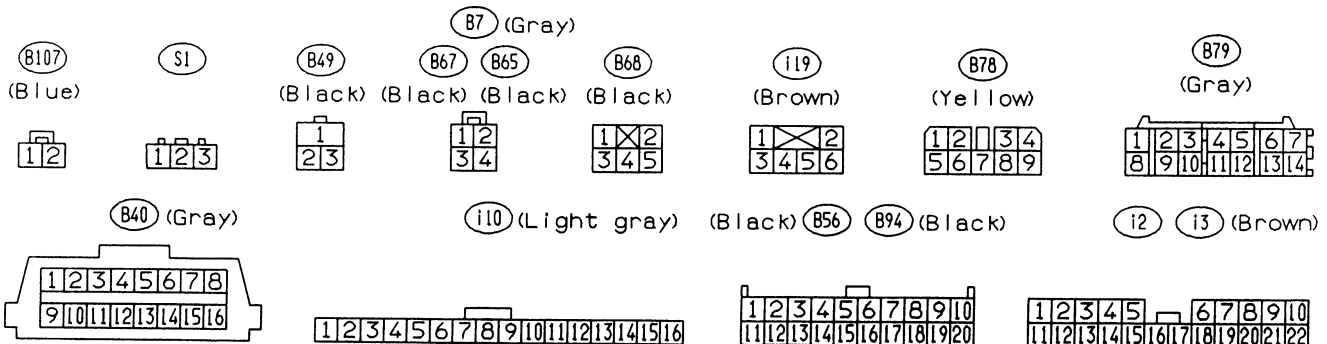
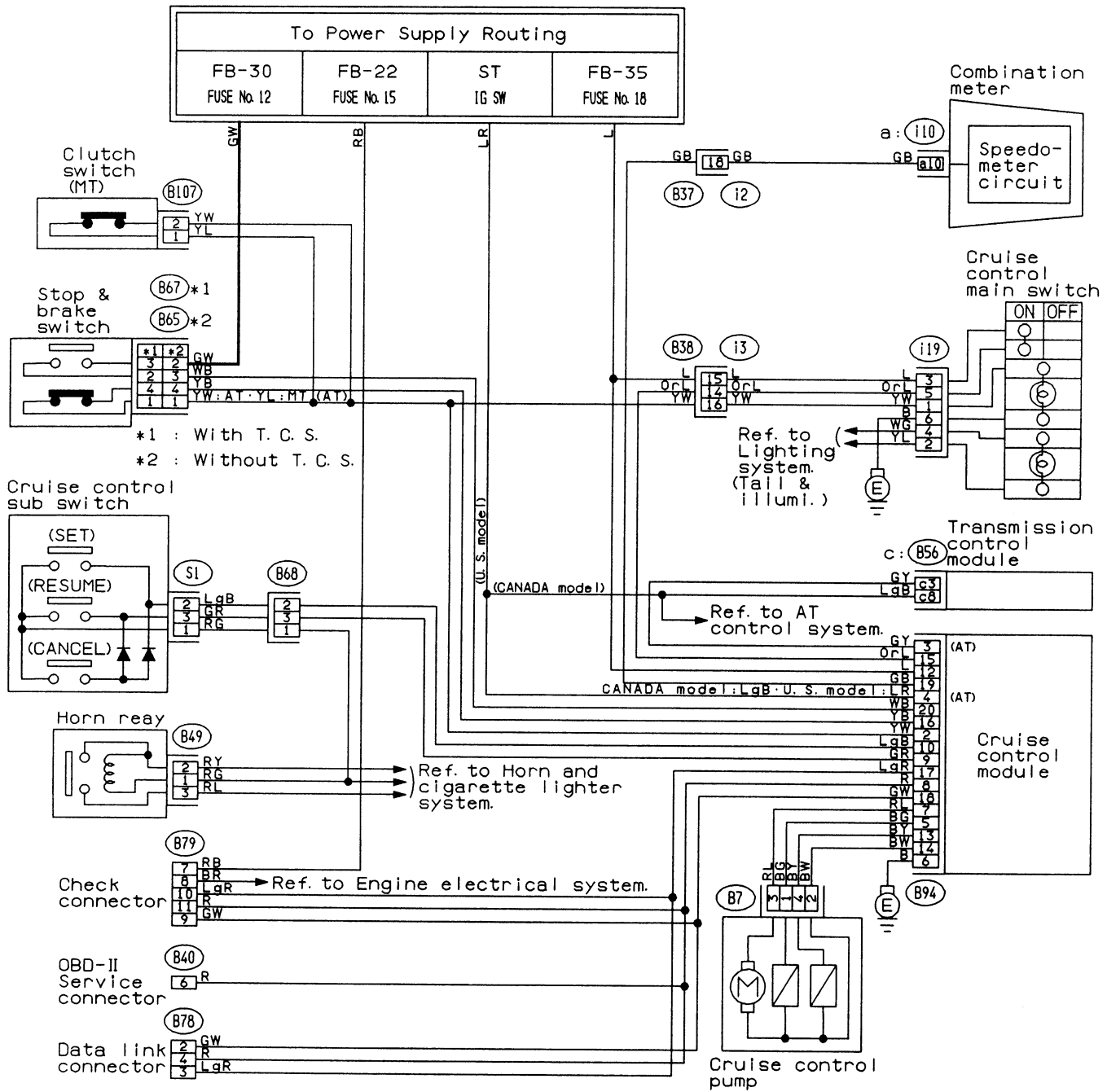
BU02-01

10. COMBINATION METER



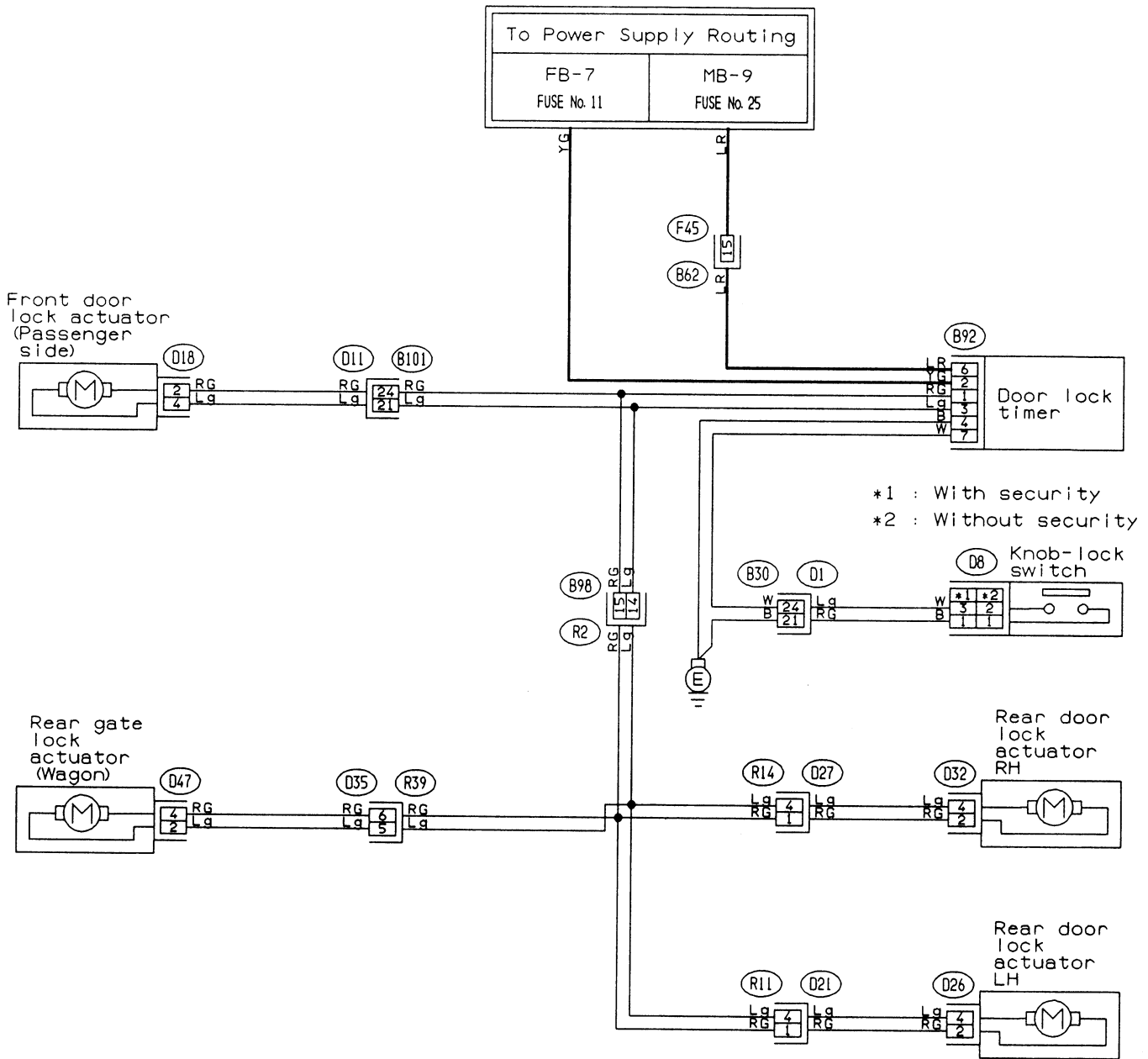


11. CRUISE CONTROL SYSTEM

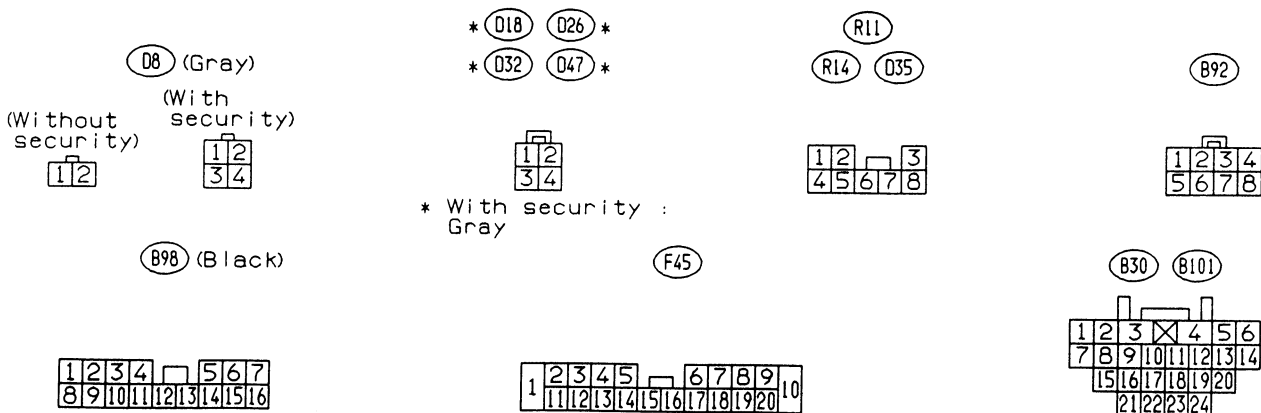


12. DOOR LOCK SYSTEM

● LHD model



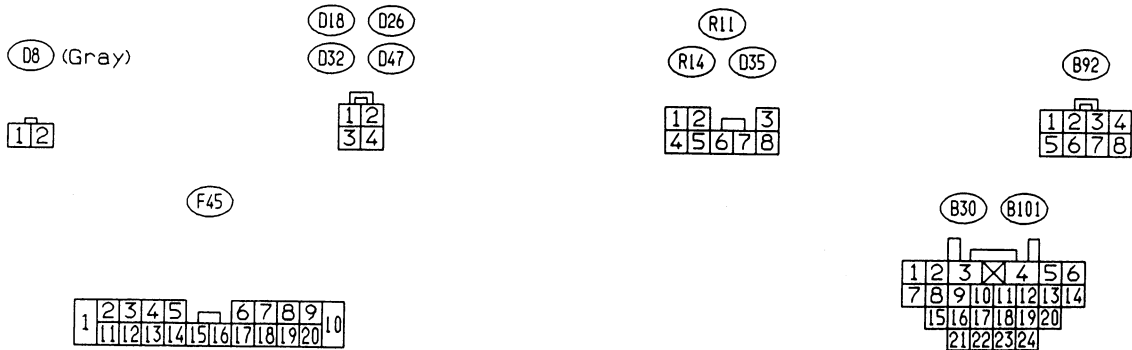
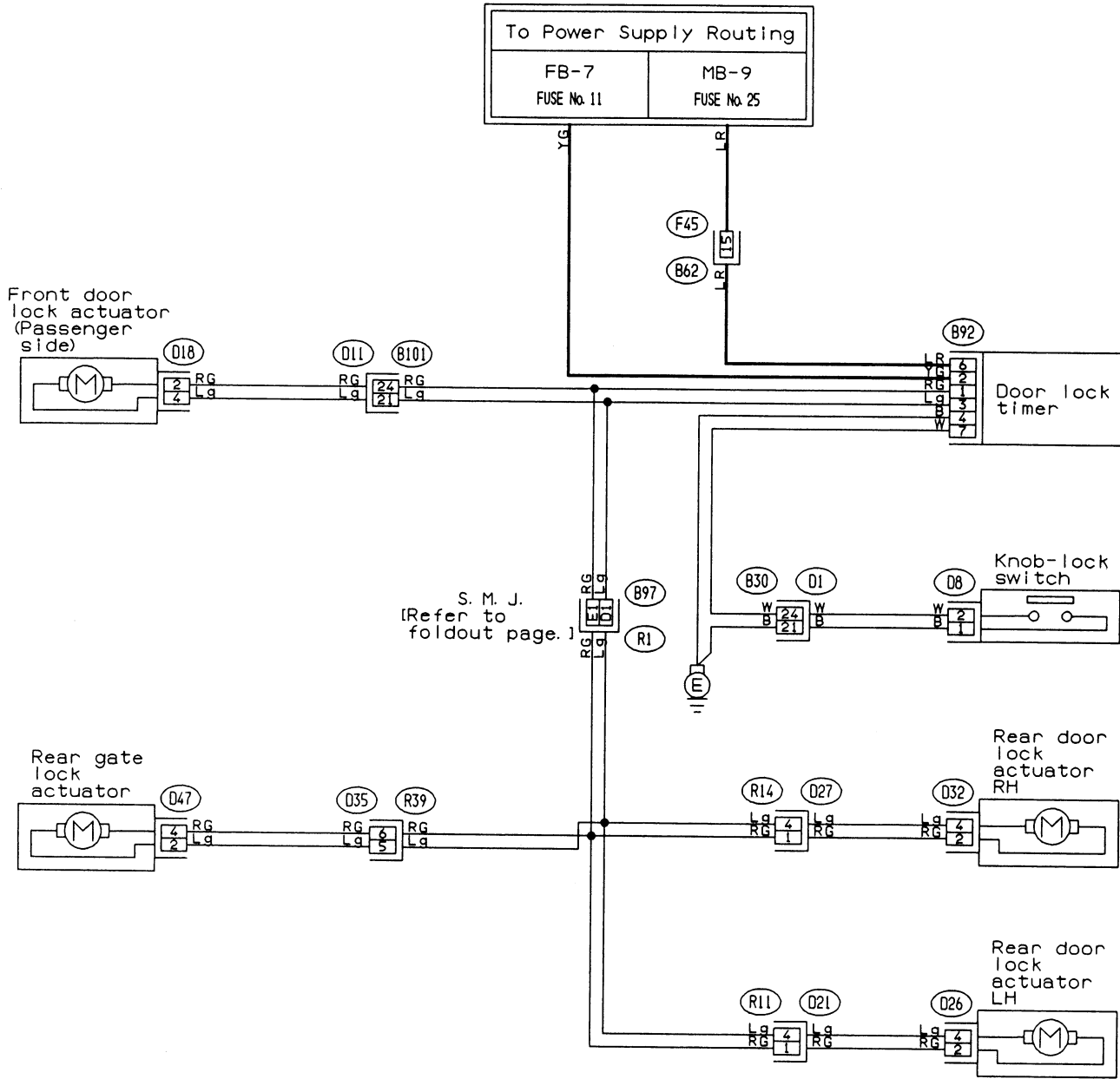
*1 : With security
*2 : Without security



* With security : Gray

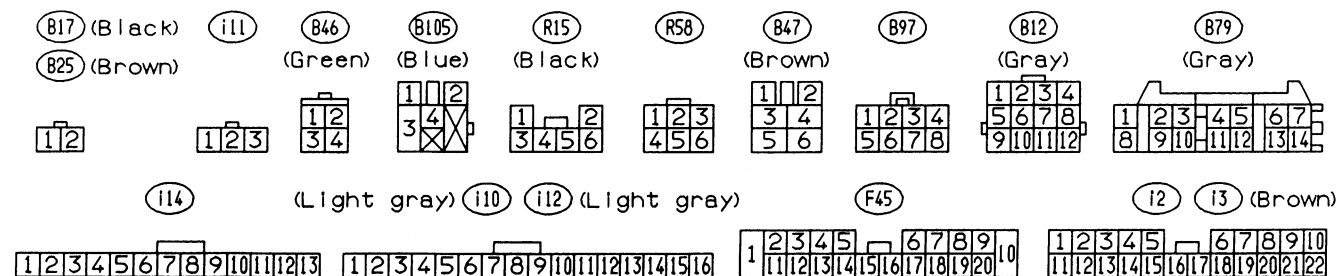
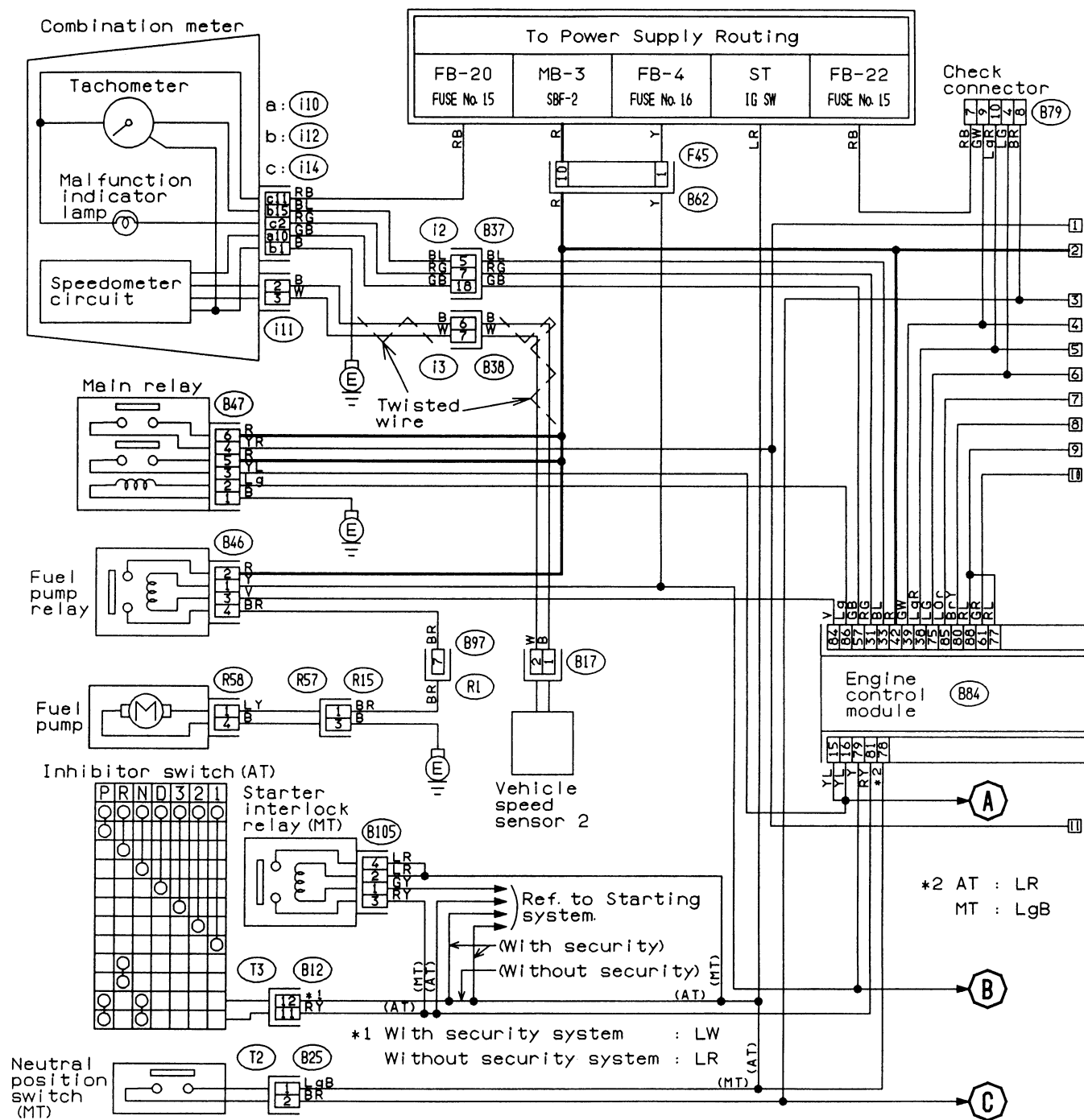
12. DOOR LOCK SYSTEM

● RHD model

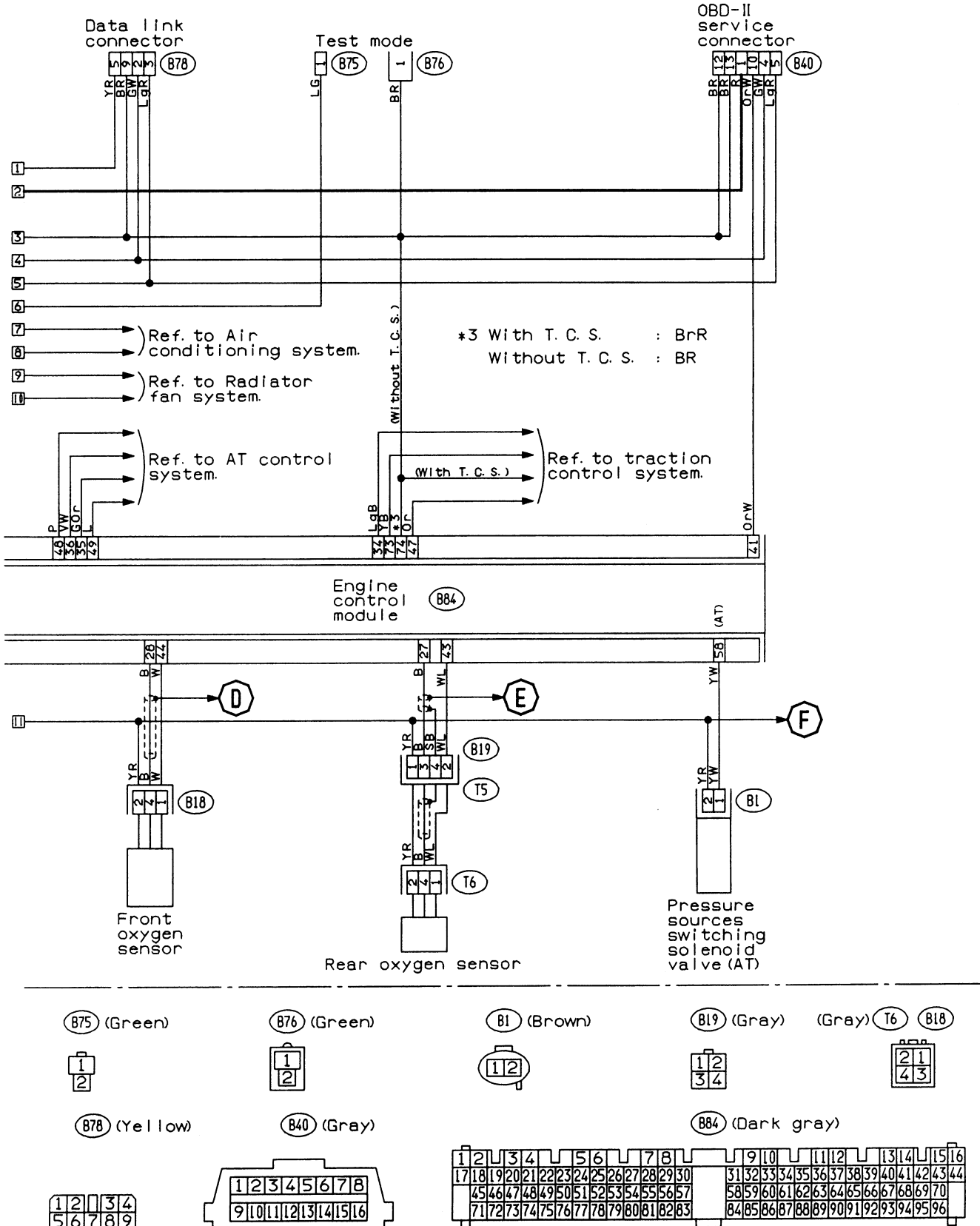


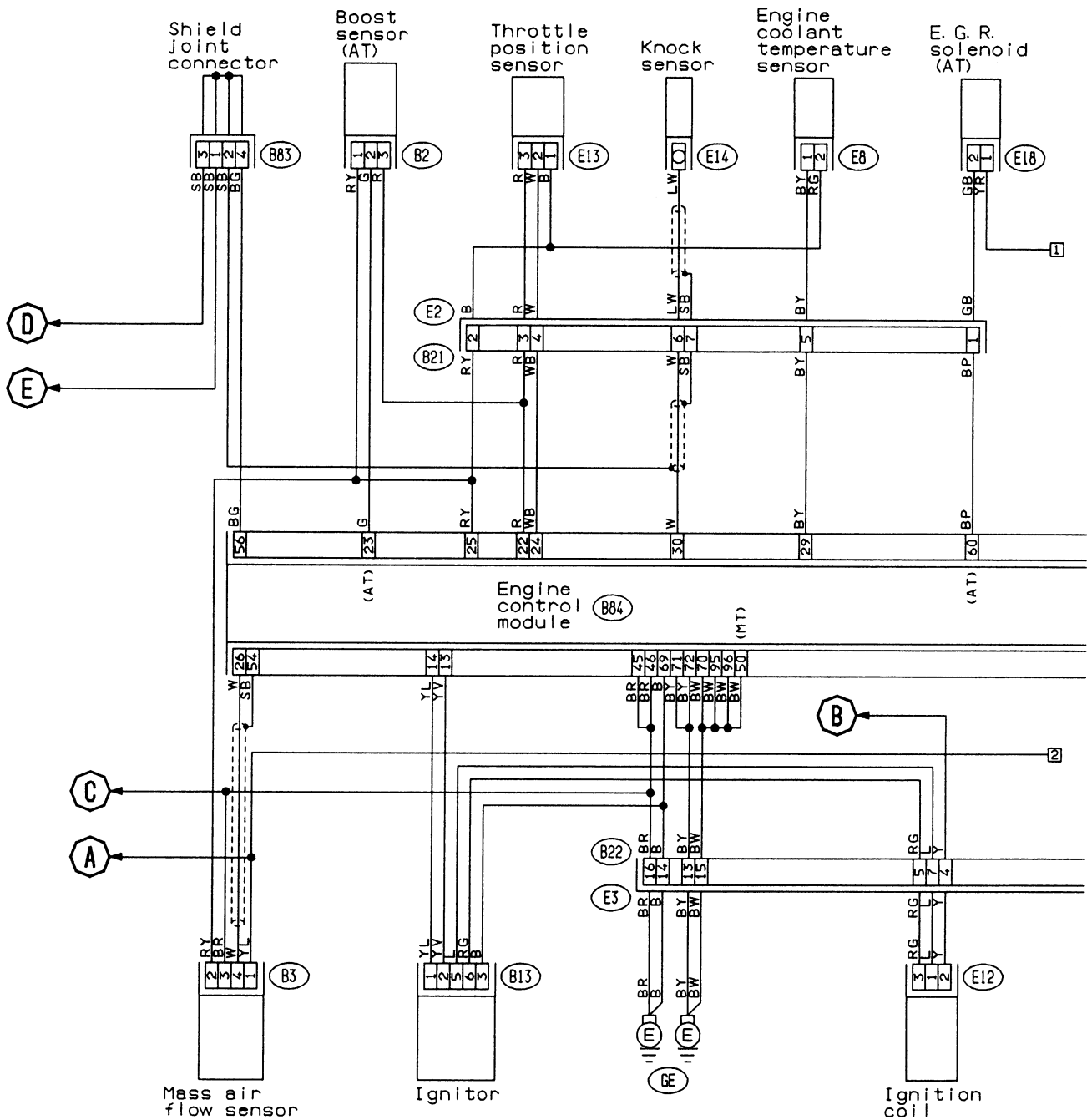
13. ENGINE ELECTRICAL SYSTEM

● LHD model



6. Wiring Diagram

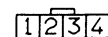




(Brown) (E18) (E8) (Brown) (Black) (B2) (E13) (Brown)

(E12) (Gray)

(B83)

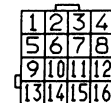
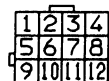
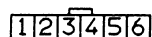
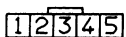


(B3) (Gray)

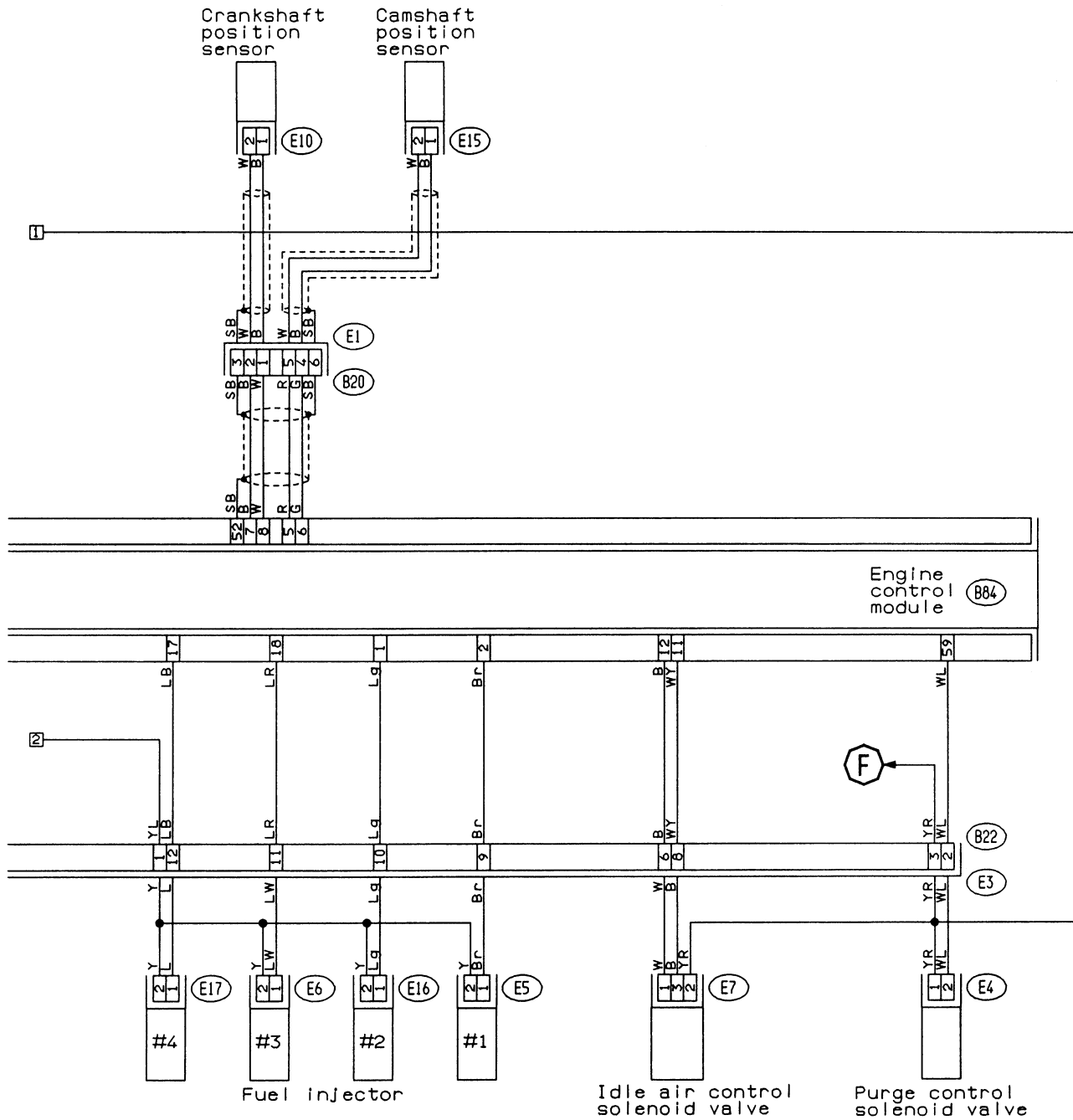
(B13) (Gray)

(B21) (Light gray)

(B22) (Light gray)



6. Wiring Diagram



(E15) (Dark gray) (E5) (E16) (Light gray)

(E10) (Gray) (Dark gray) (E6) (E17) (Dark gray)

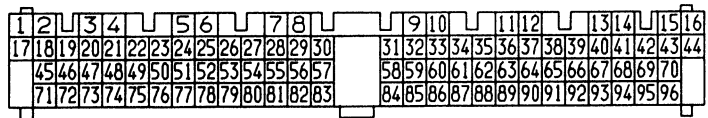


(B84) (Dark gray)

(E4) (Blue)

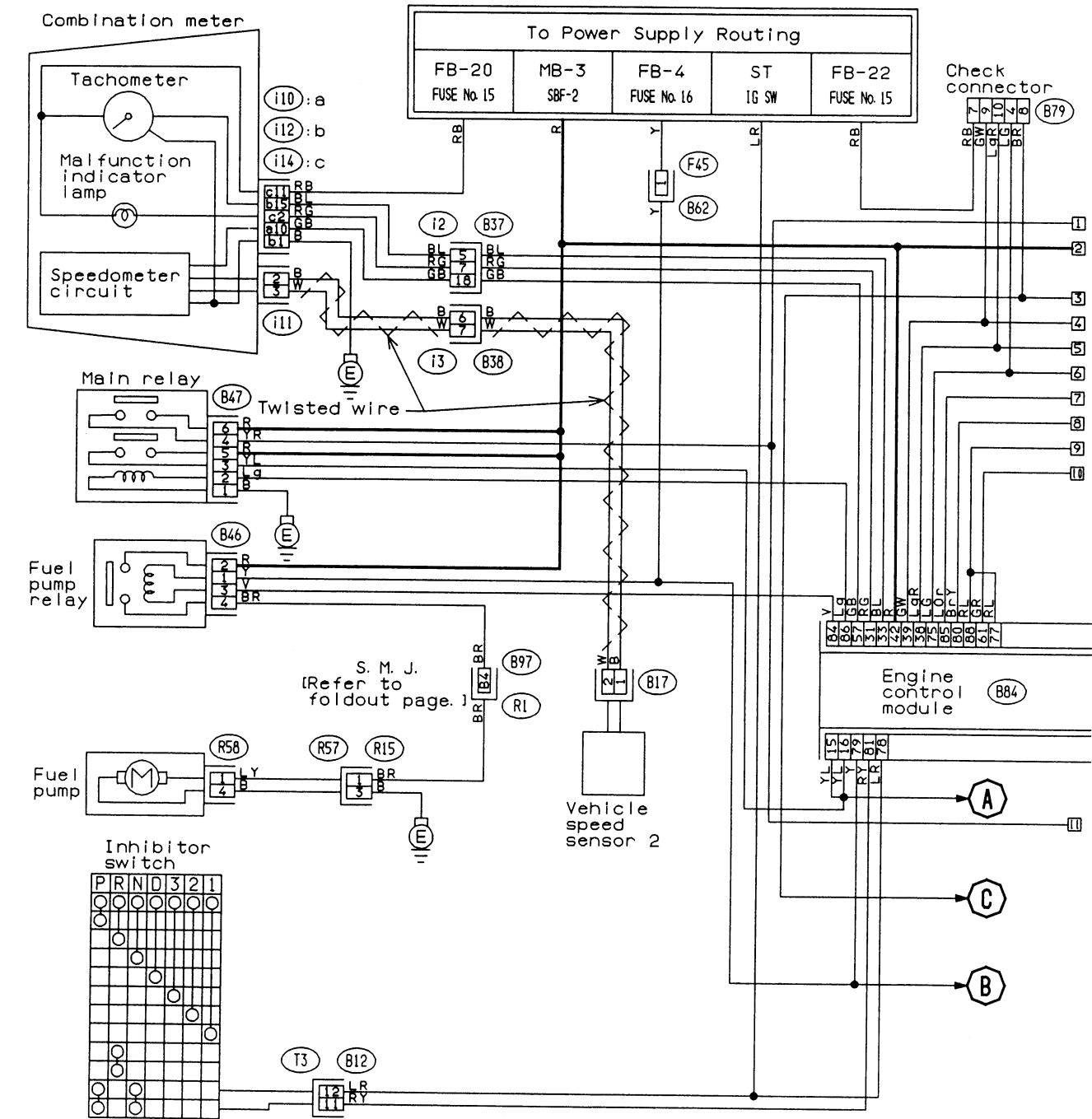
(E7) (Gray)

(B20) (Light gray)



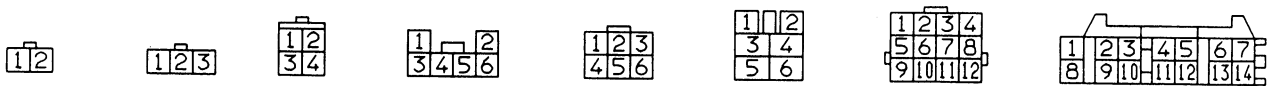
13. ENGINE ELECTRICAL SYSTEM

● RHD model

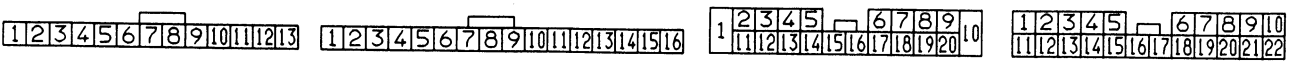


S. M. J.
(Refer to
foldout page.)

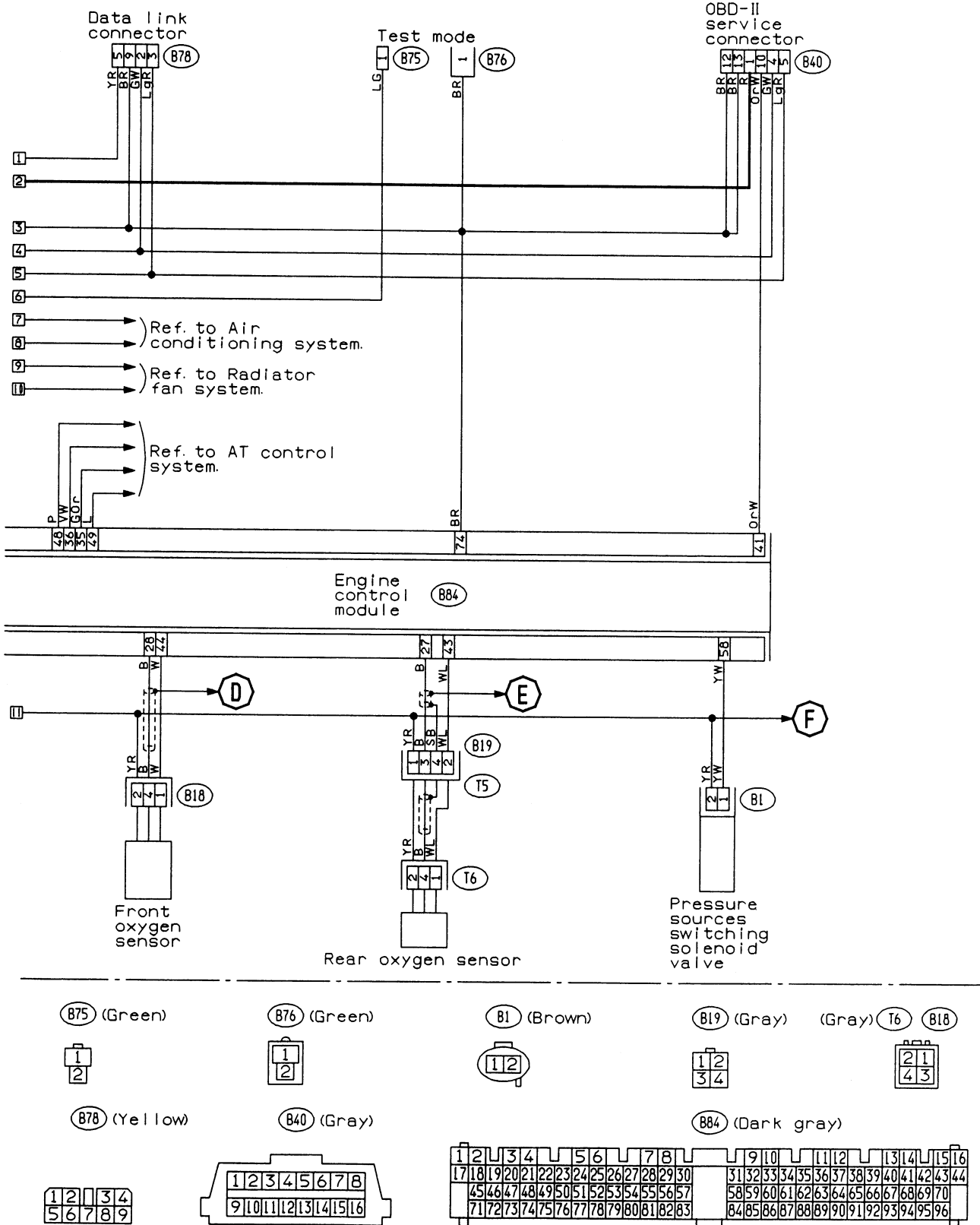
(B17) (Black) (i11) (B46) (Green) (R15) (Black) (R58) (B47) (Brown) (B12) (Gray) (B79) (Gray)

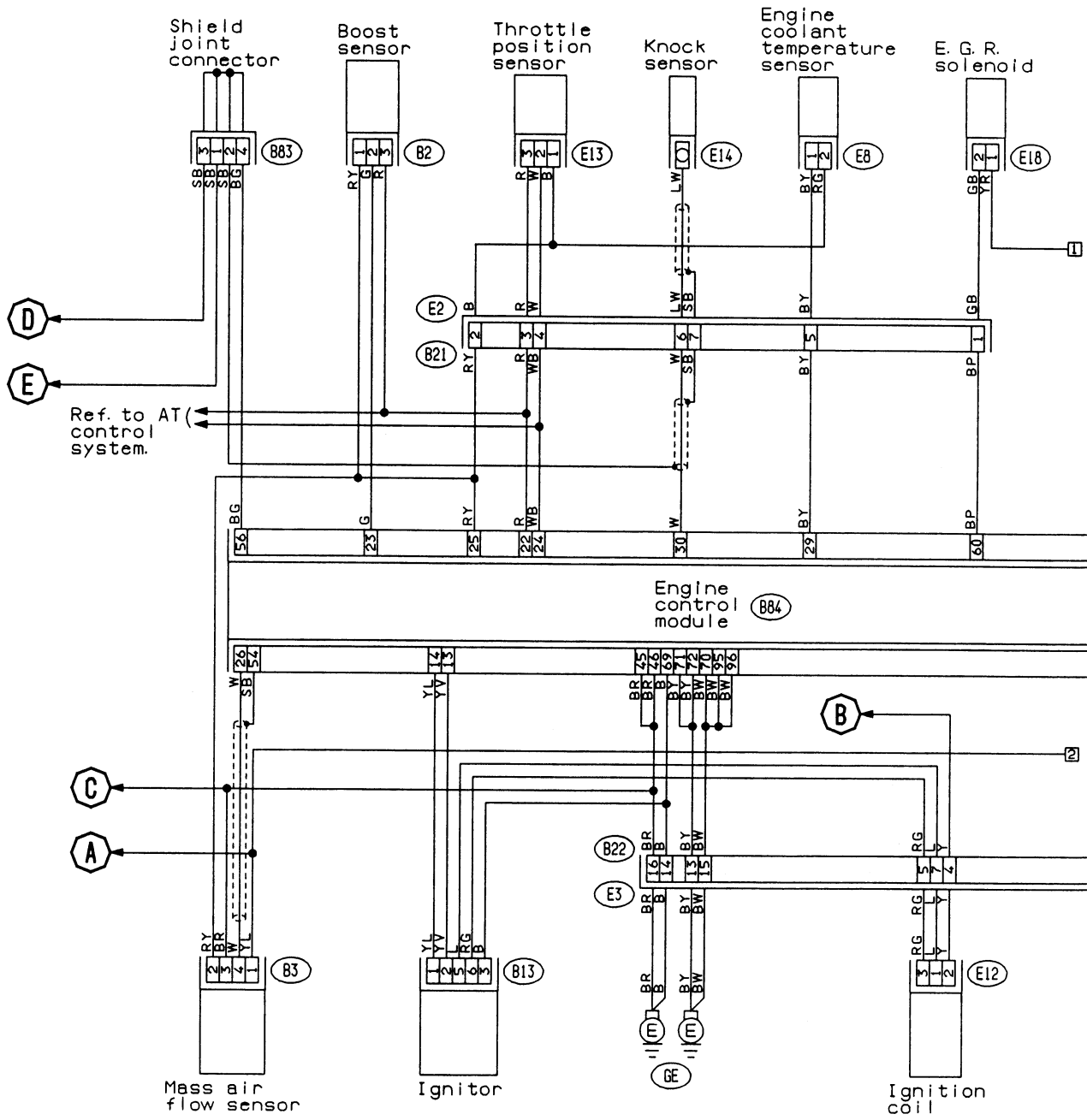


(i14) (Light gray) (i10) (i12) (Light gray) (F45) (i2) (i3) (Brown)



6. Wiring Diagram

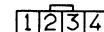




(Brown) (E18) (E8) (Brown) (Black) (B2) (E13) (Brown)

(E12) (Gray)

(B83)

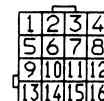
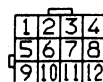
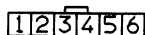
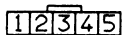


(B3) (Gray)

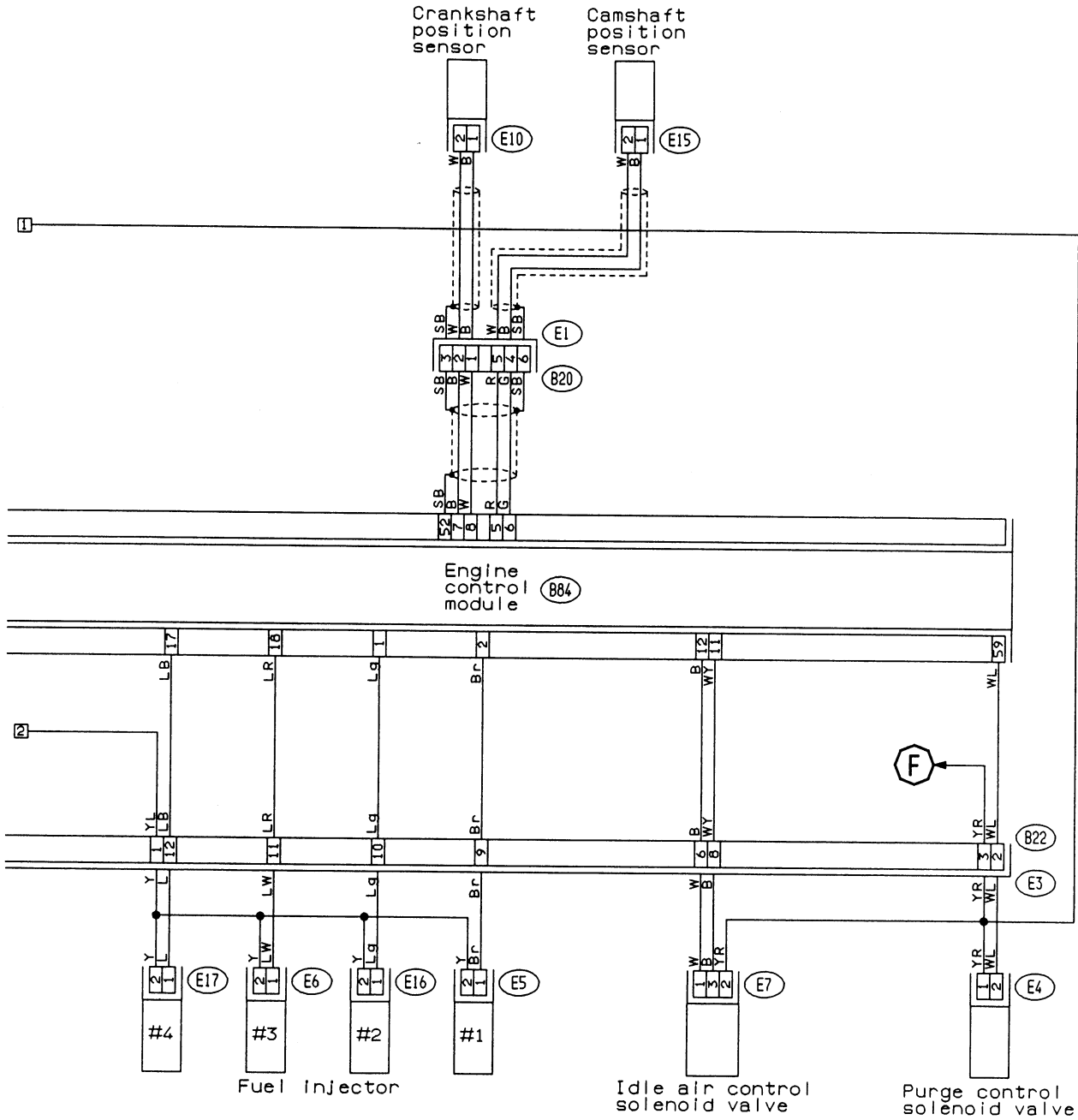
(B13) (Gray)

(B21) (Light gray)

(B22) (Light gray)



WIRING DIAGRAM



(E15) (Dark gray) (Light gray) (E5) (E16) (Light gray)
 (E10) (Gray) (Dark gray) (E6) (E17) (Dark gray)



(B84) (Dark gray)

(E4) (Blue)

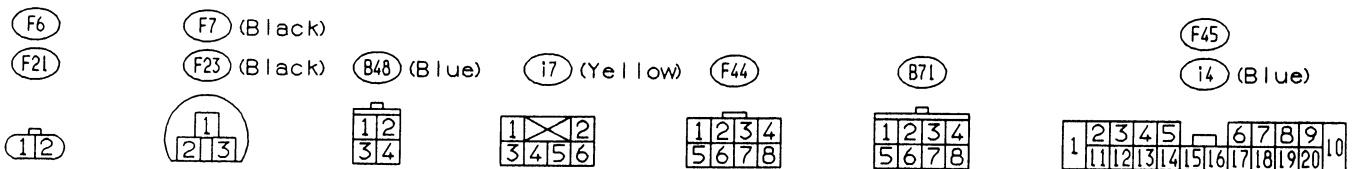
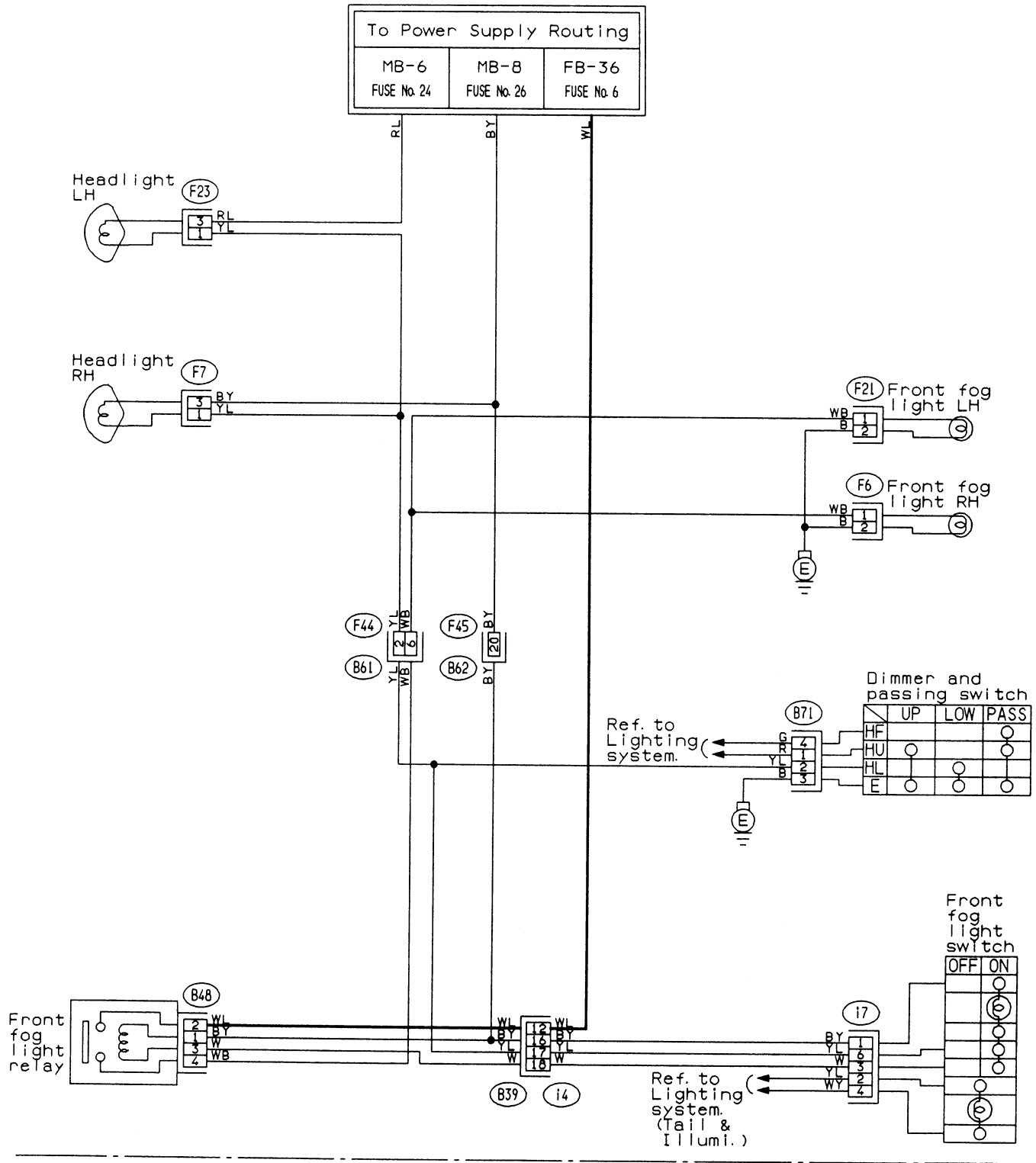
(E7) (Gray)

(B20) (Light gray)



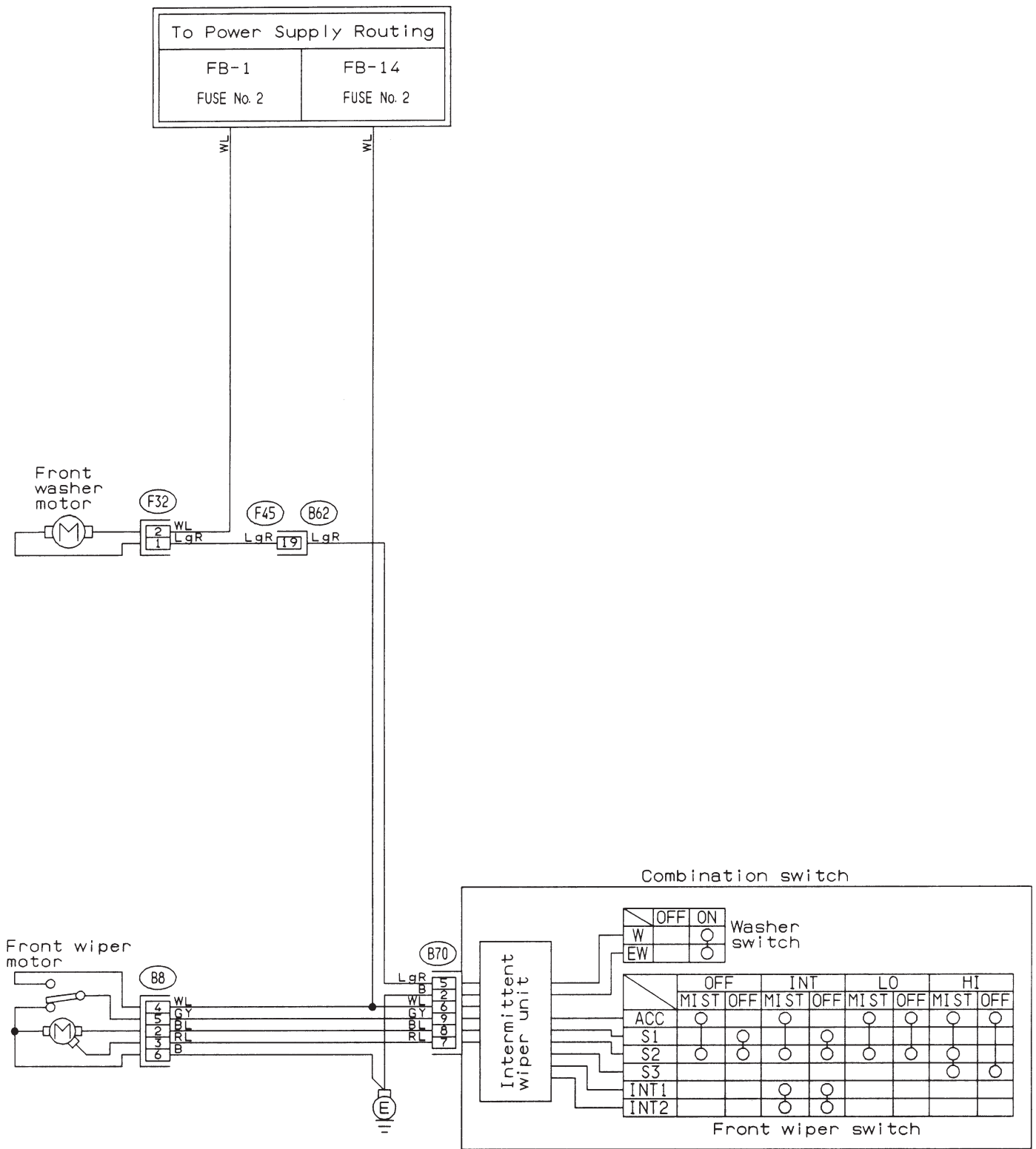
1	2	3	4	5	6	7	8	9	10	11	12	13	14	15	16																																				
17	18	19	20	21	22	23	24	25	26	27	28	29	30	31	32	33	34	35	36	37	38	39	40	41	42	43	44																								
45	46	47	48	49	50	51	52	53	54	55	56	57	58	59	60	61	62	63	64	65	66	67	68	69	70	71	72	73	74	75	76	77	78	79	80	81	82	83	84	85	86	87	88	89	90	91	92	93	94	95	96

14. FRONT FOG LIGHT SYSTEM



15. FRONT WIPER AND WASHER SYSTEM

● LHD model



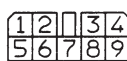
F32 (Green)



B8



B70

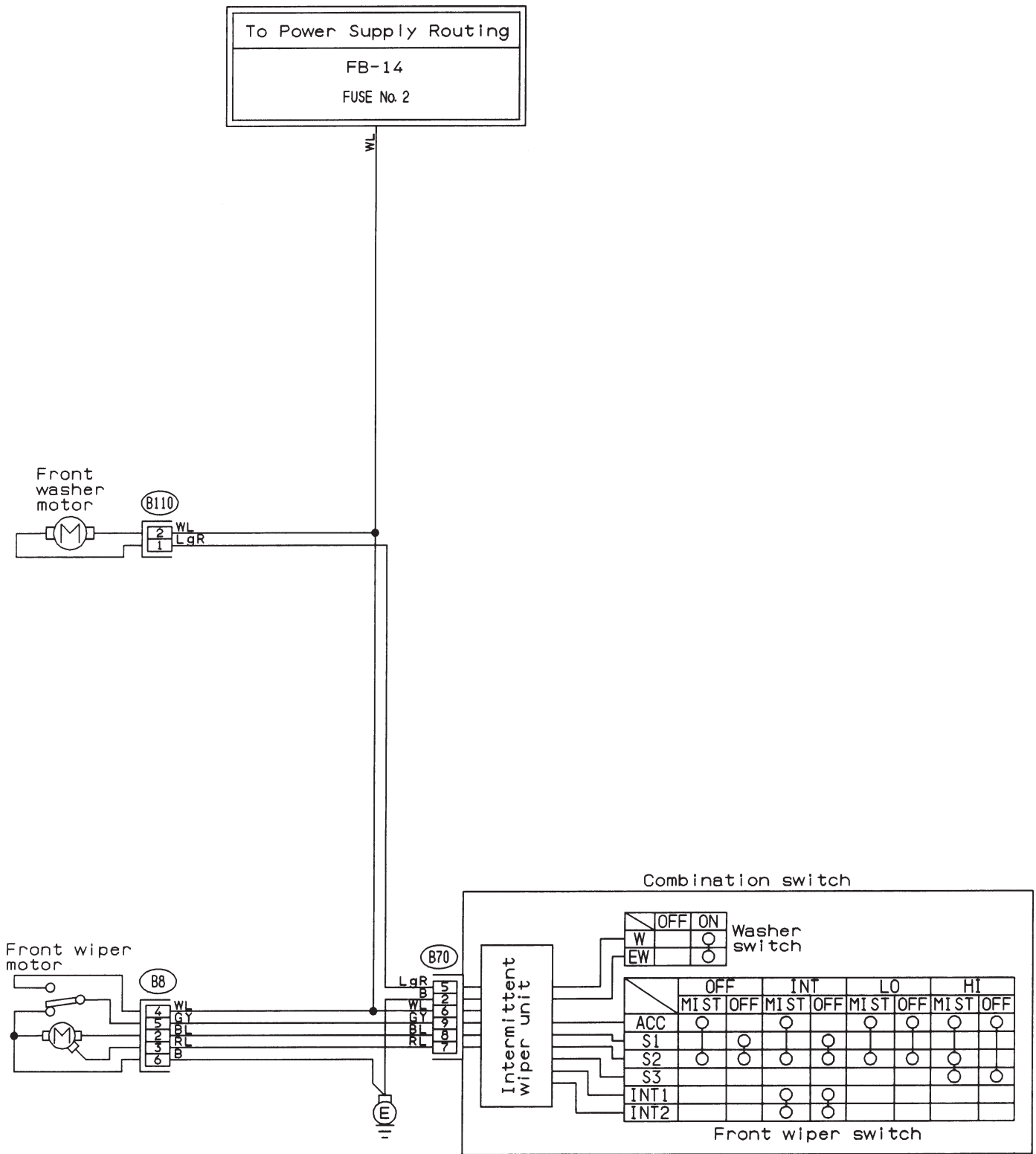


F45



15. FRONT WIPER AND WASHER SYSTEM

● RHD model



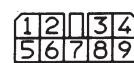
(B110) (Green)



(B8)

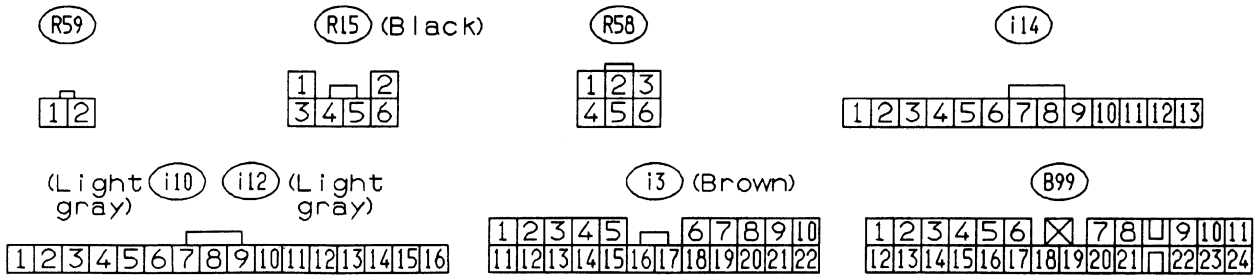
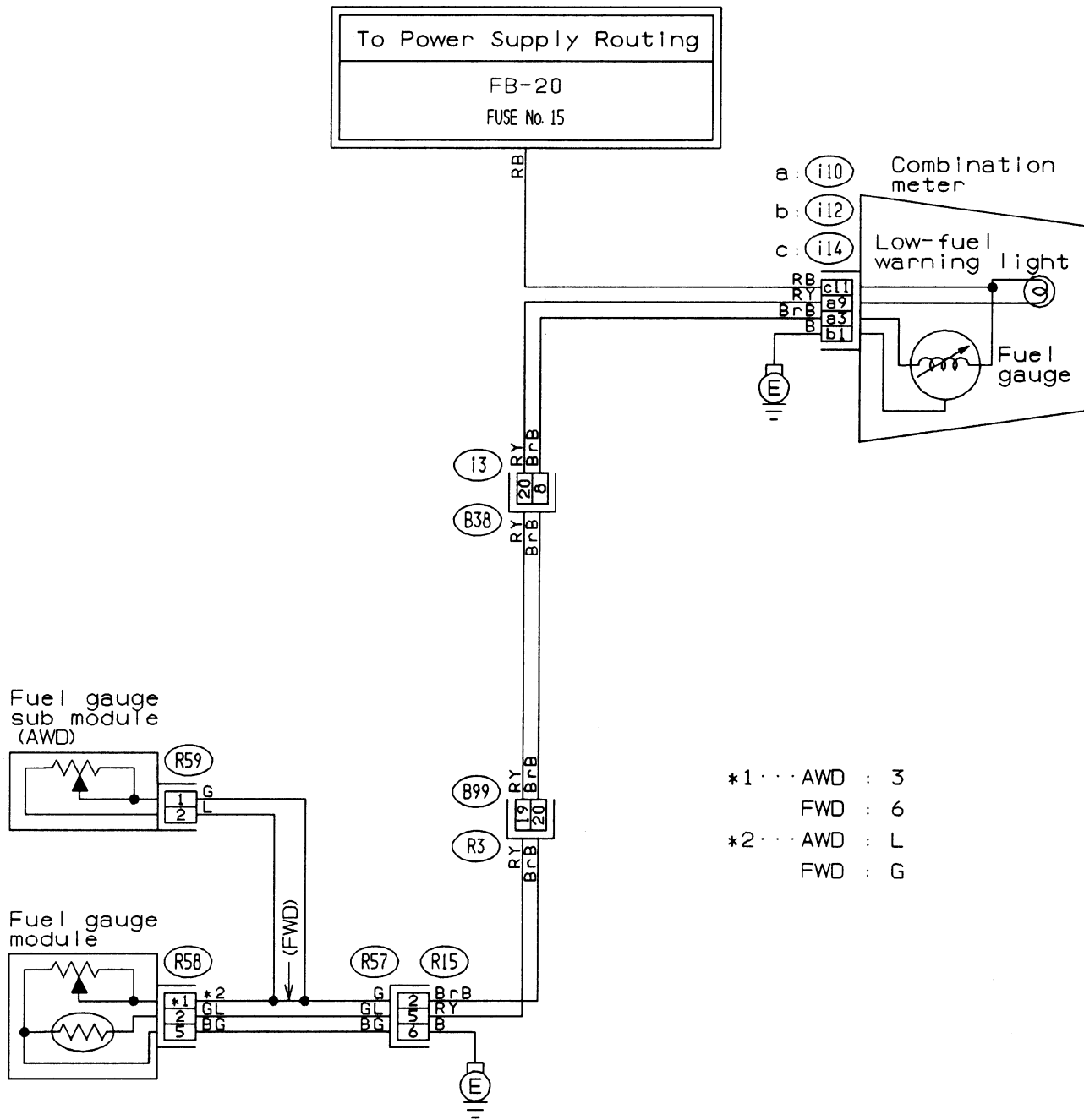


(B70)



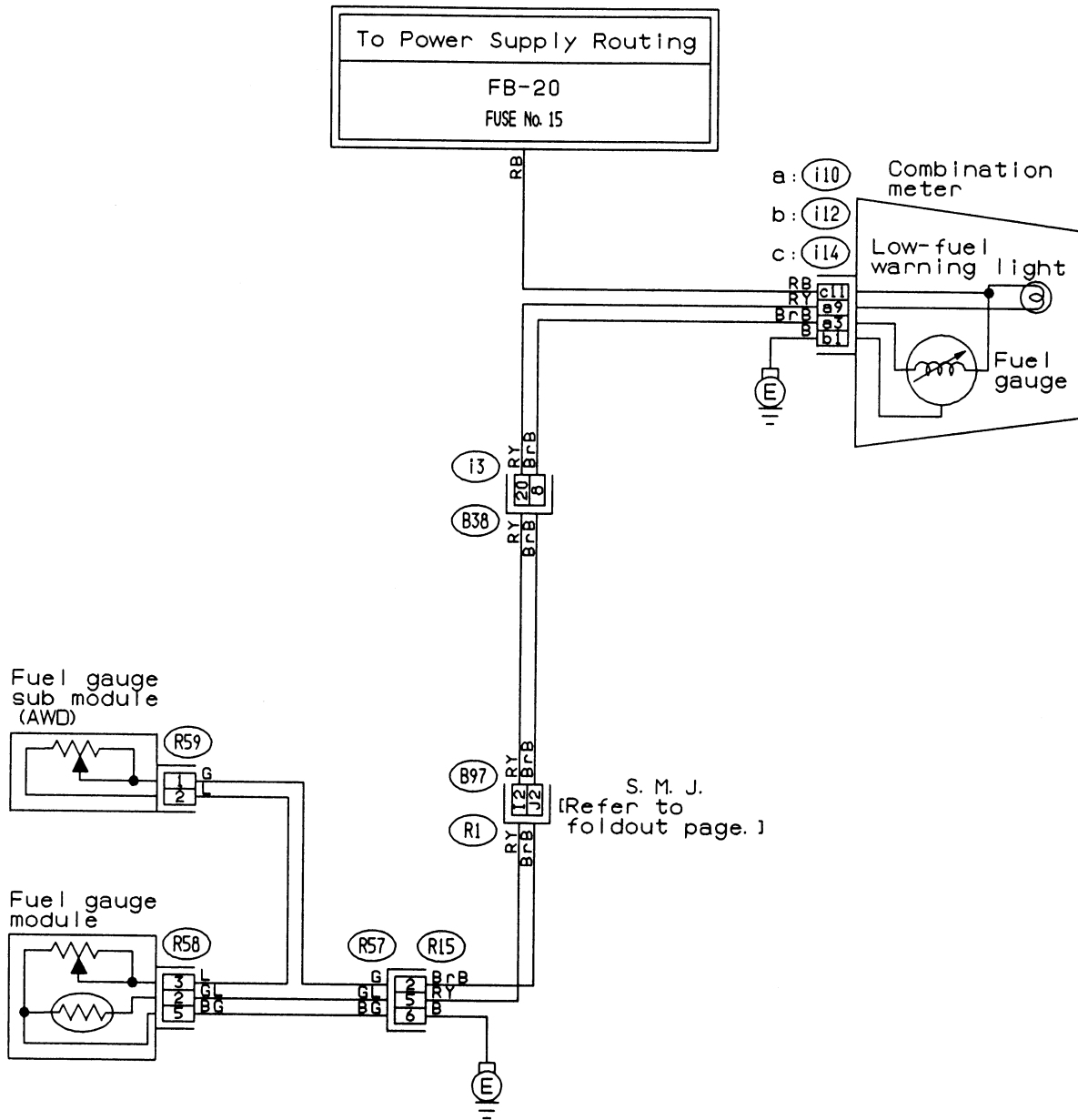
16. FUEL GAUGE SYSTEM

● LHD model

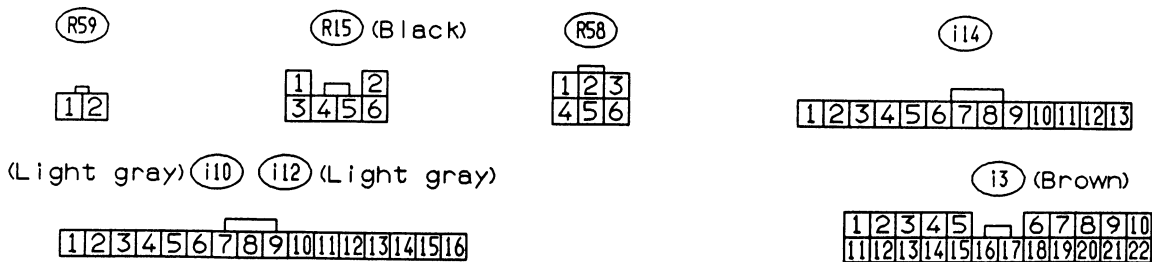


16. FUEL GAUGE SYSTEM

● RHD model

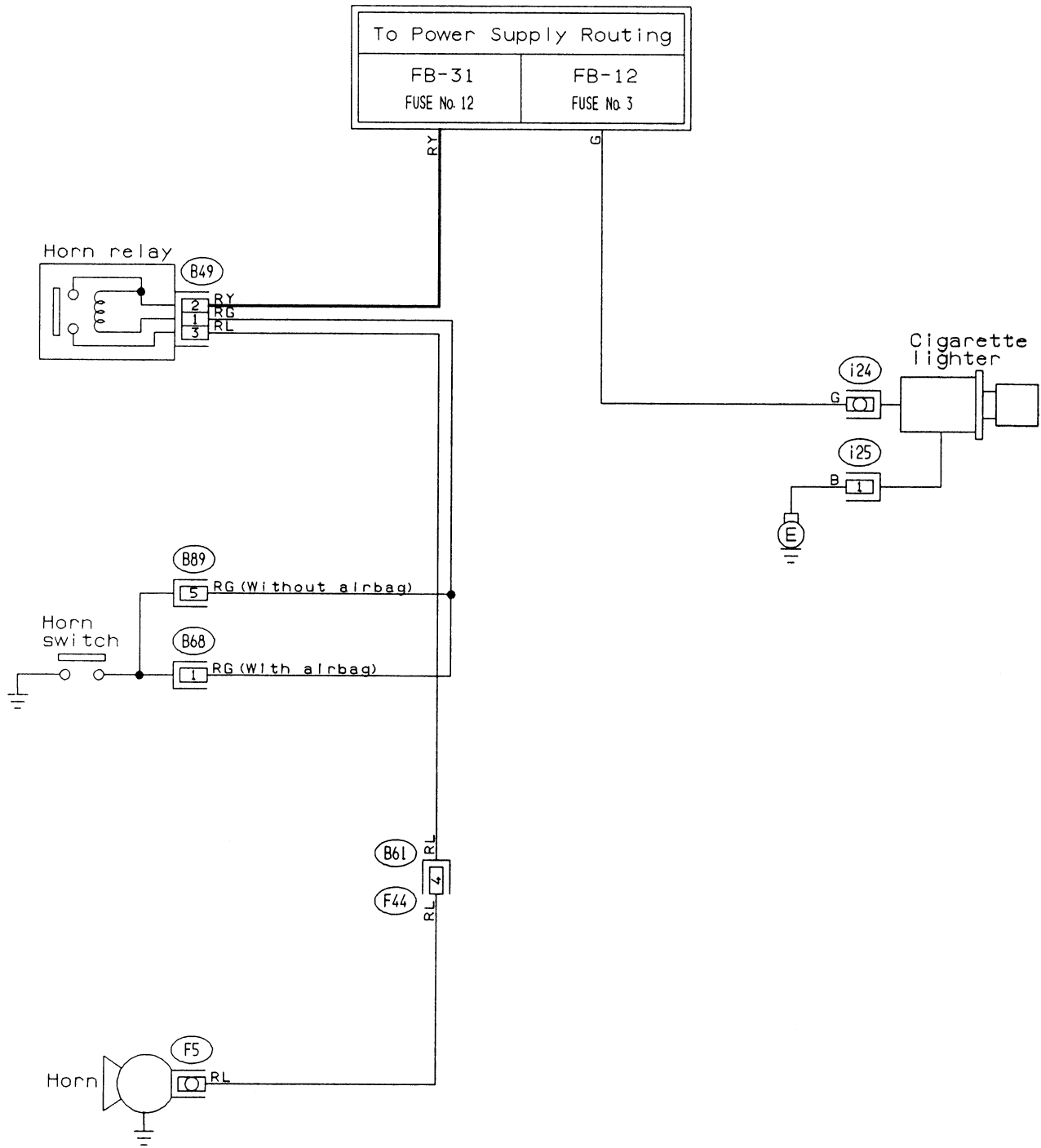


S. M. J.
[Refer to
foldout page.]



17. HORN AND CIGARETTE LIGHTER SYSTEM

● LHD model



(i25)

(B49) (Black)



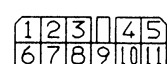
(B68) (Black)



(F44)

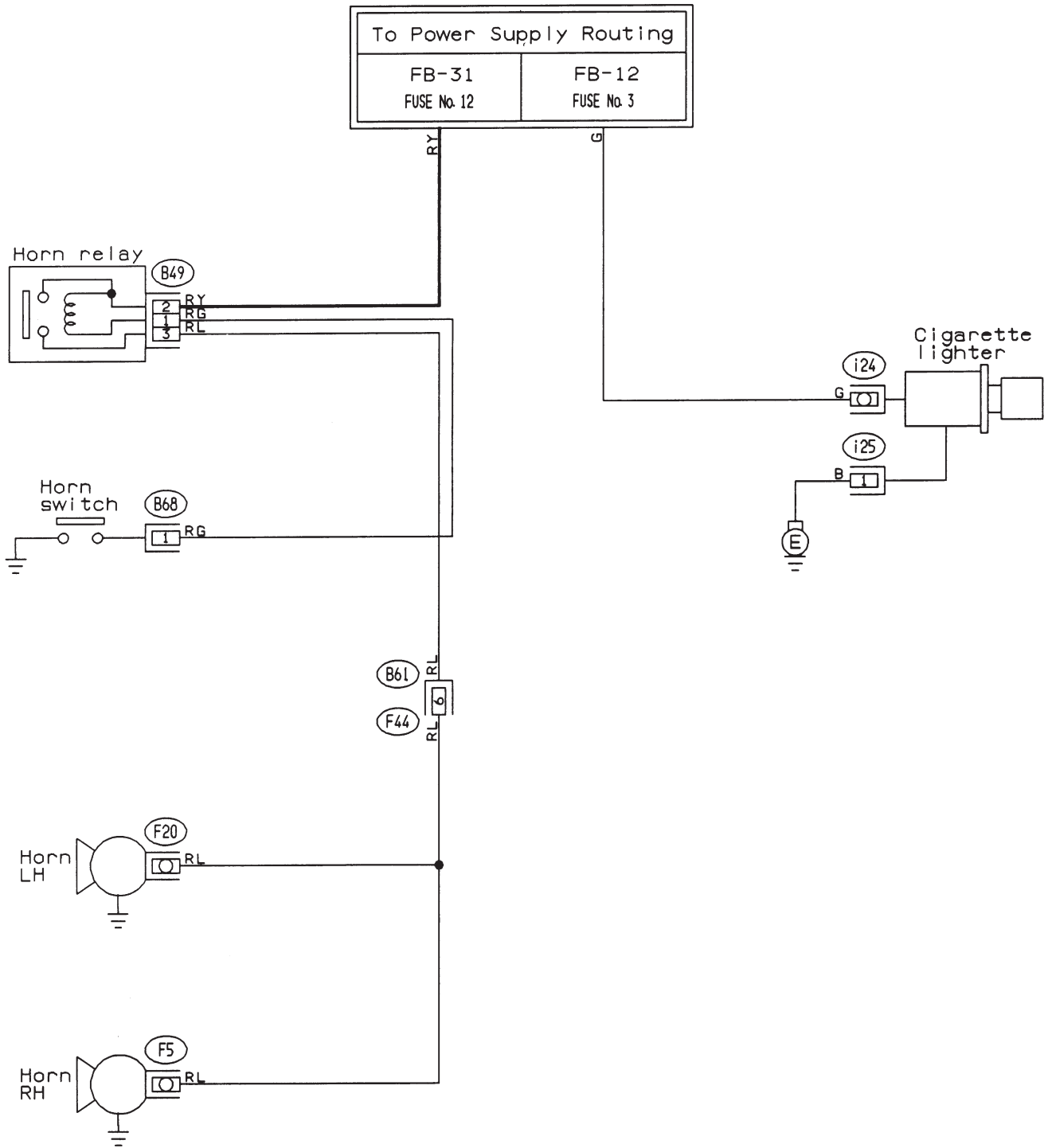


(B89) (Black)



17. HORN AND CIGARETTE LIGHTER SYSTEM

● RHD model



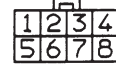
(i25) (B49) (Black)



(B68) (Black)



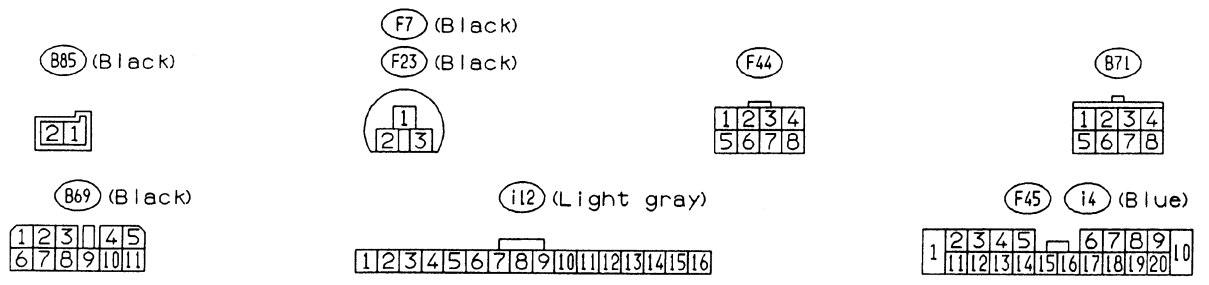
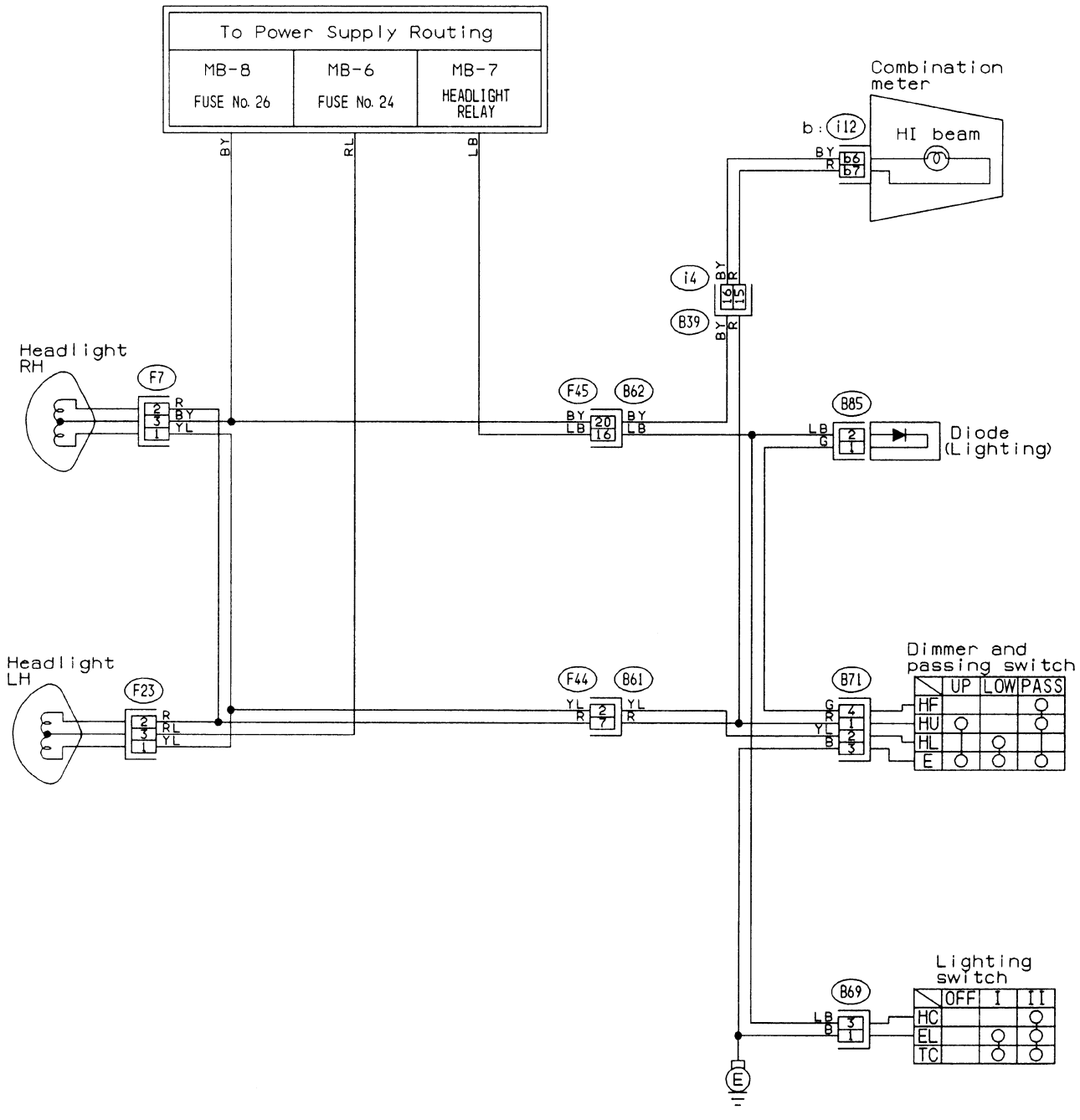
(F44)



BUR74-01

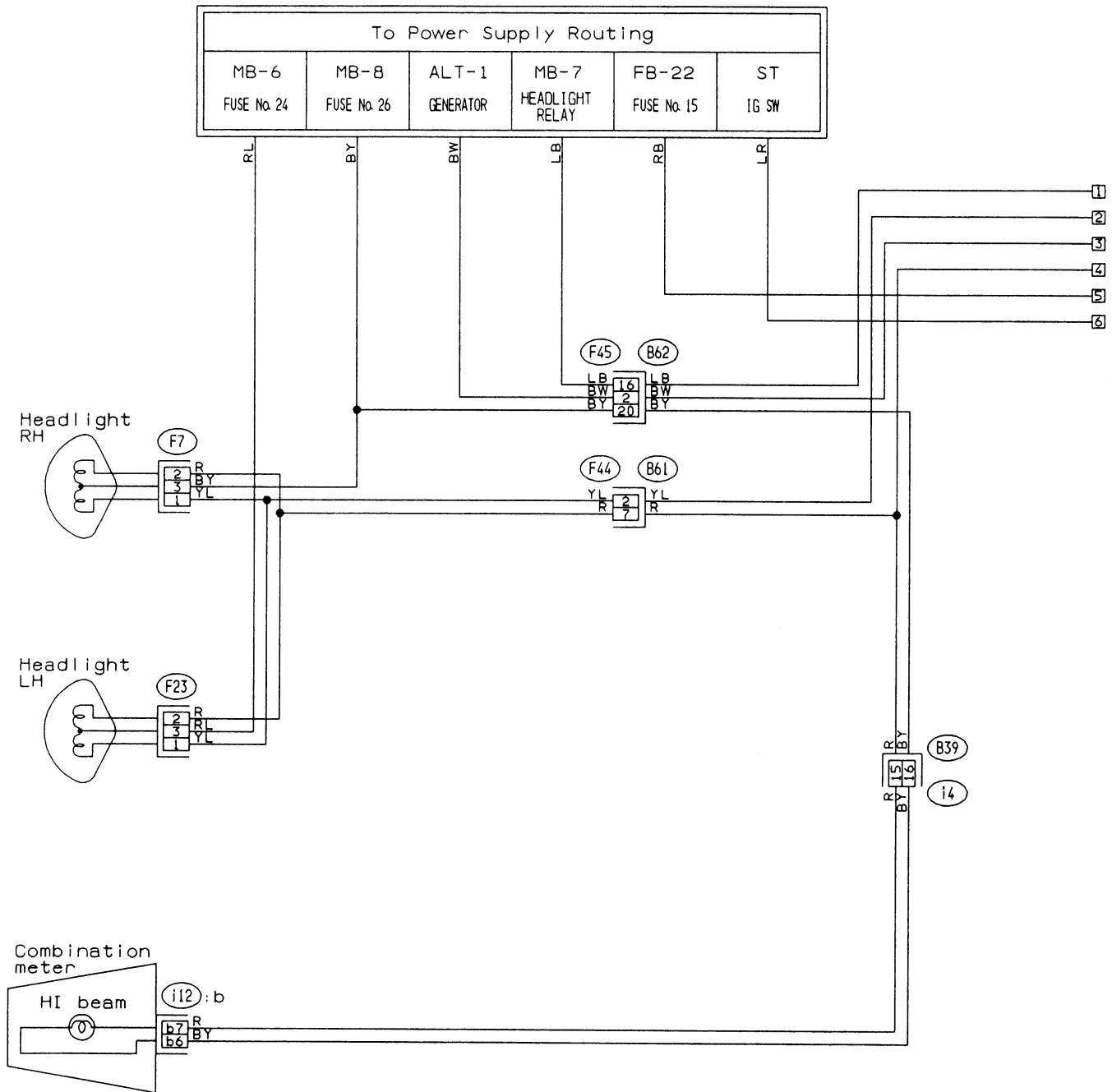
18. LIGHTING (HEADLIGHT) SYSTEM

● LHD without DRL model



18. LIGHTING (HEADLIGHT) SYSTEM

● LHD with DRL model

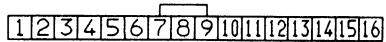


F7 (Black)

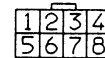
F23 (Black)



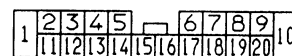
i12 (Light gray)



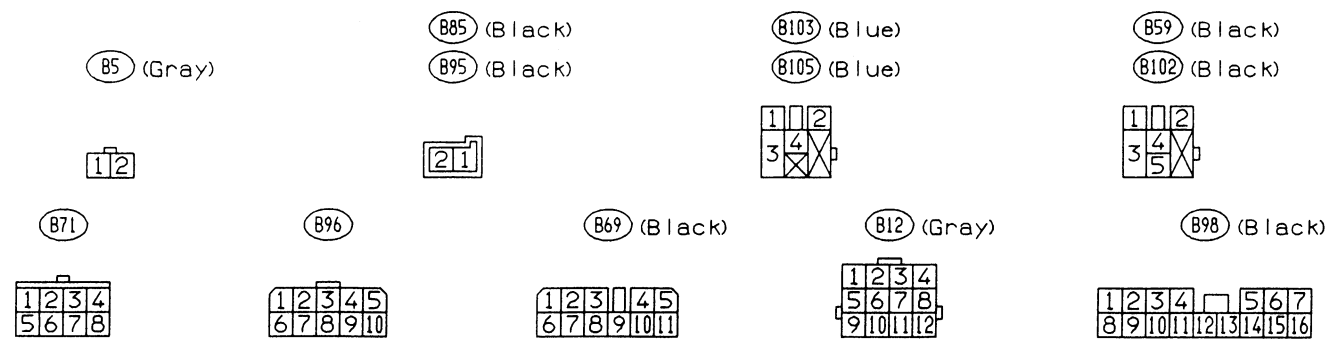
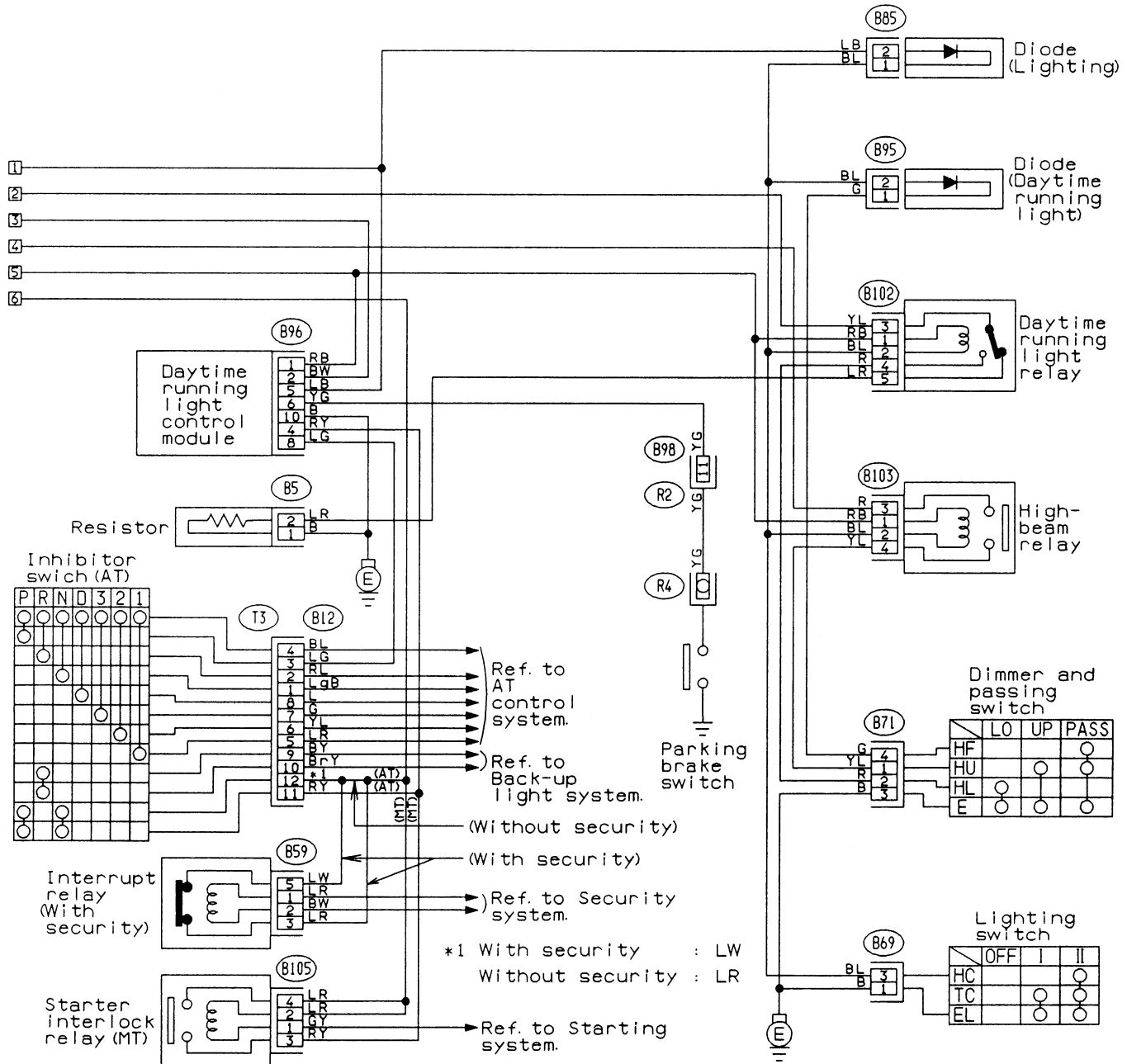
F44



F45 i4 (Blue)

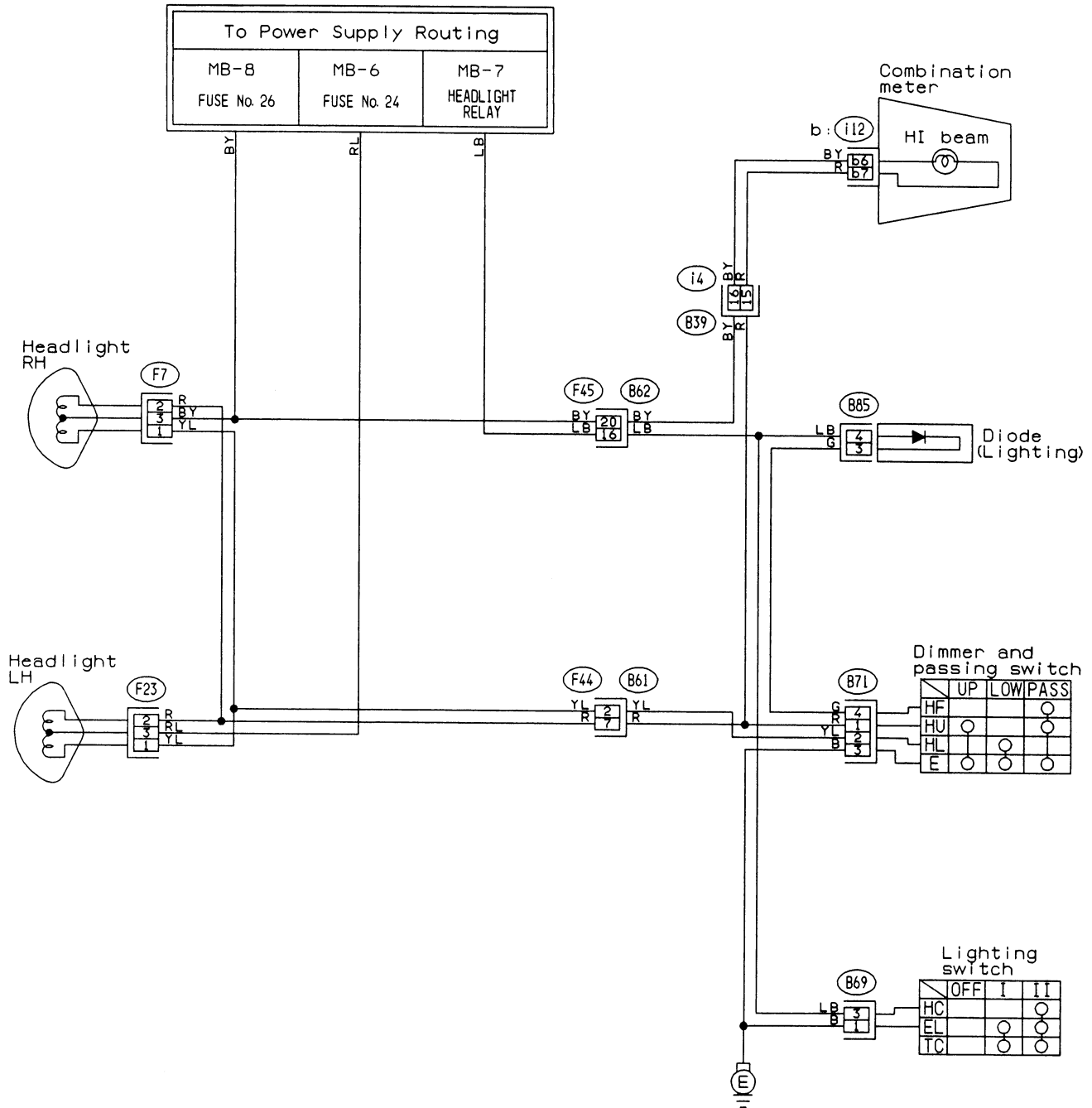


6. Wiring Diagram



18. LIGHTING (HEADLIGHT) SYSTEM

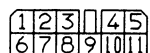
● RHD model



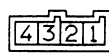
(F7) (Black)
(F23) (Black)



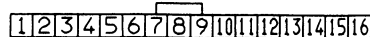
(B69) (Black)



(B85) (Brown)



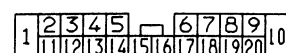
(i12) (Light gray)



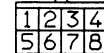
(F44)



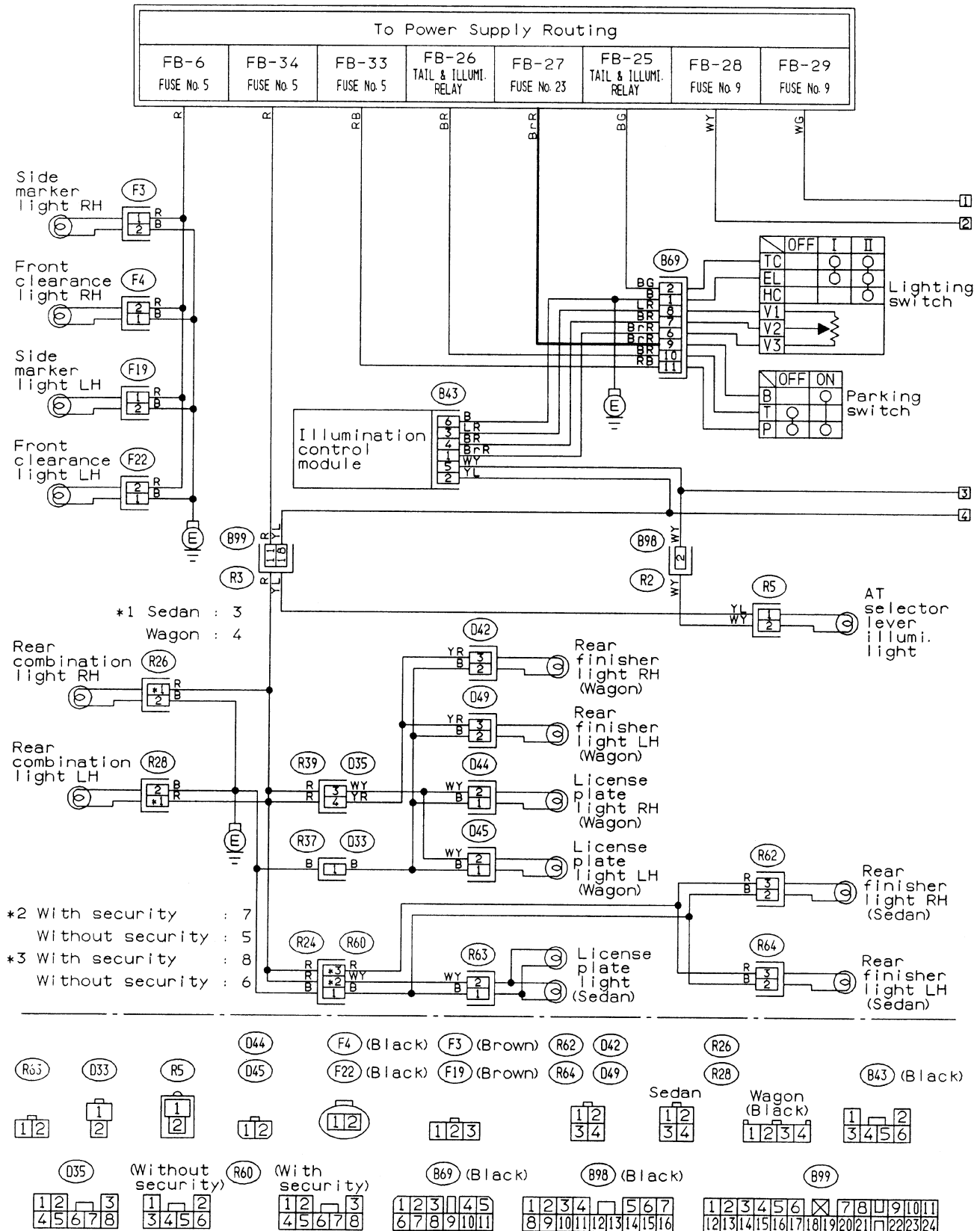
(F45) (i4) (Blue)

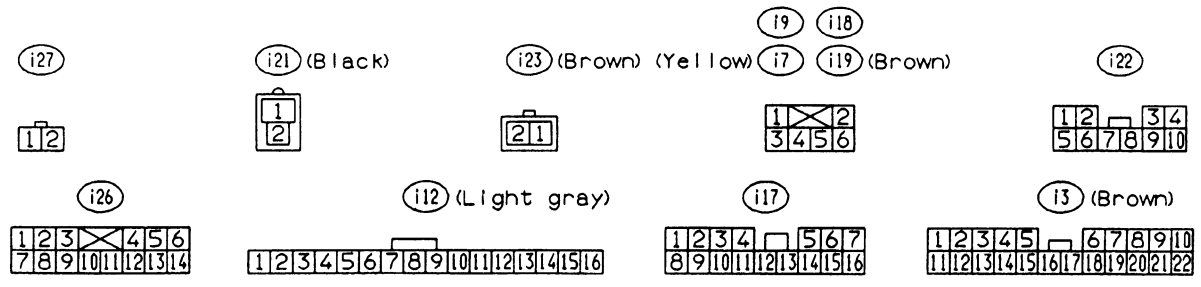
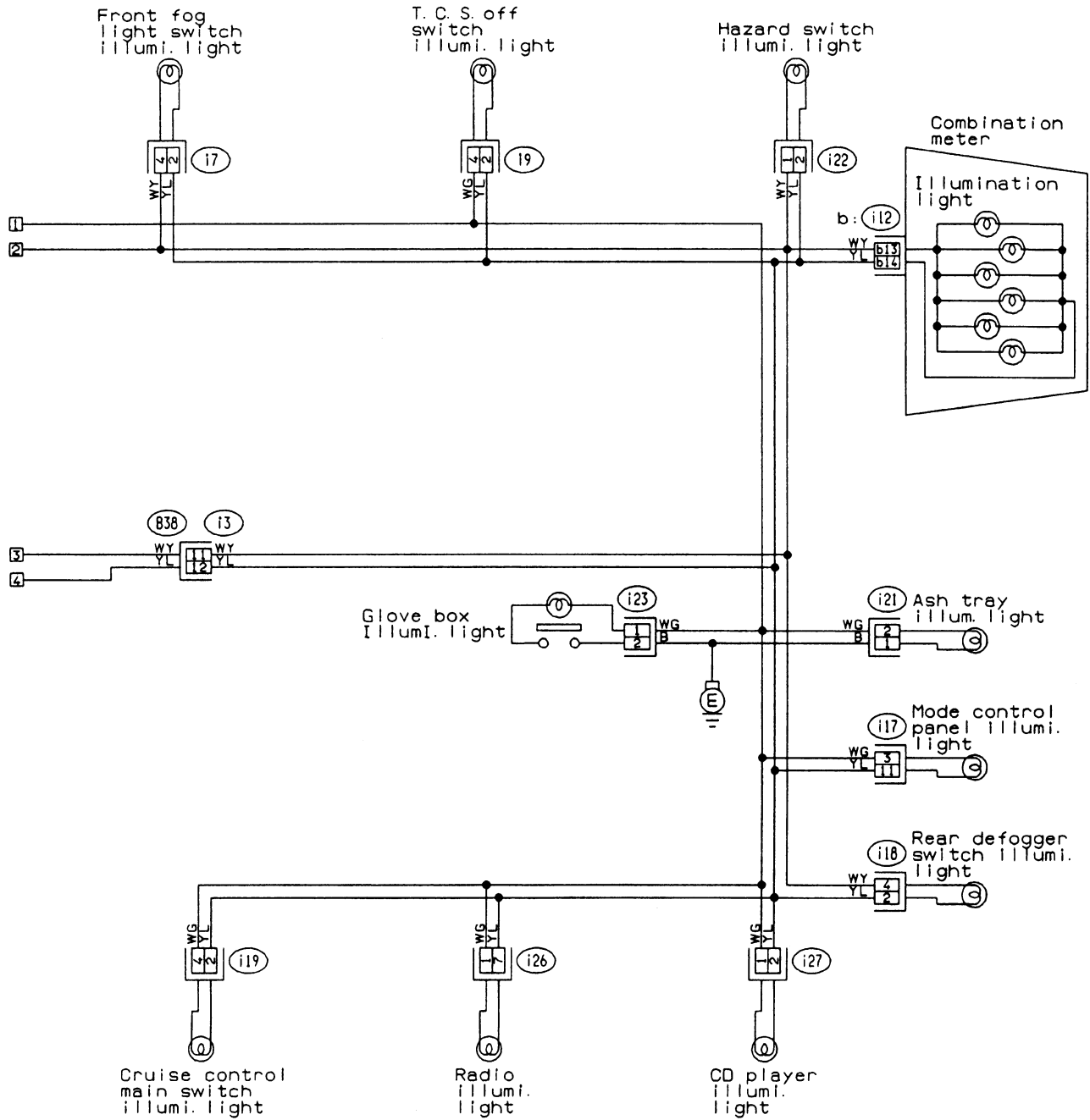


(B71)

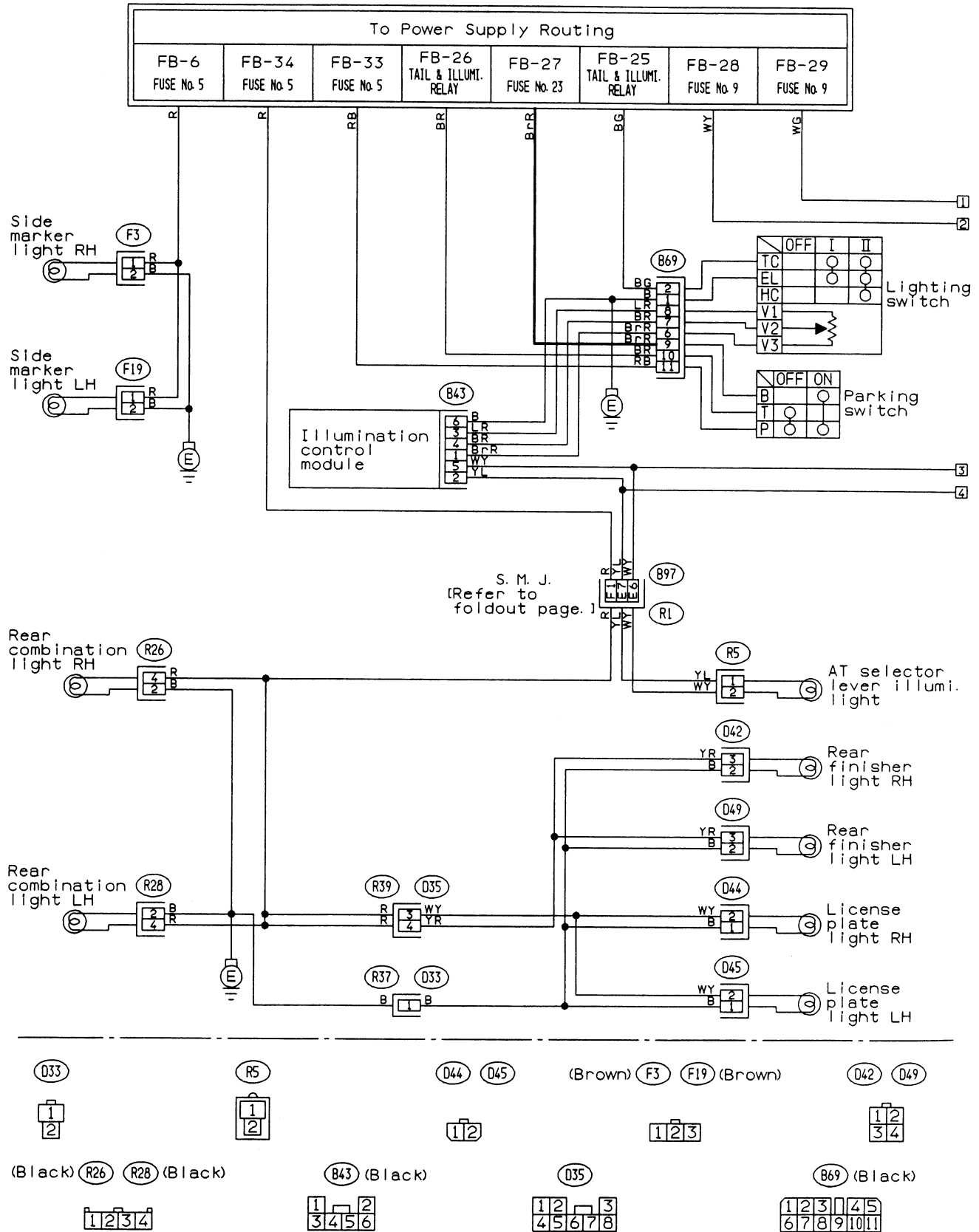


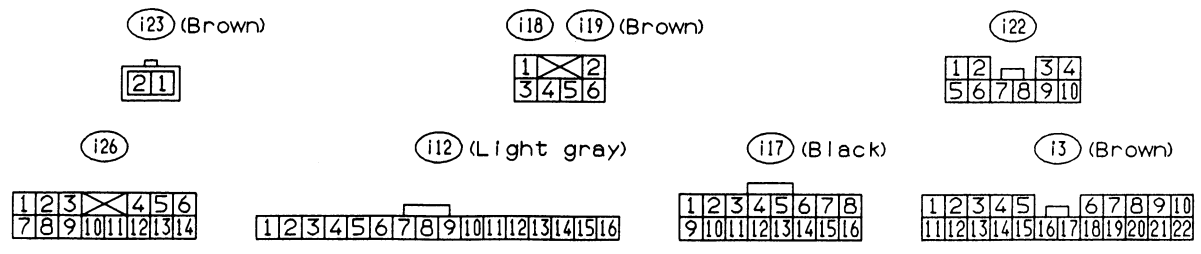
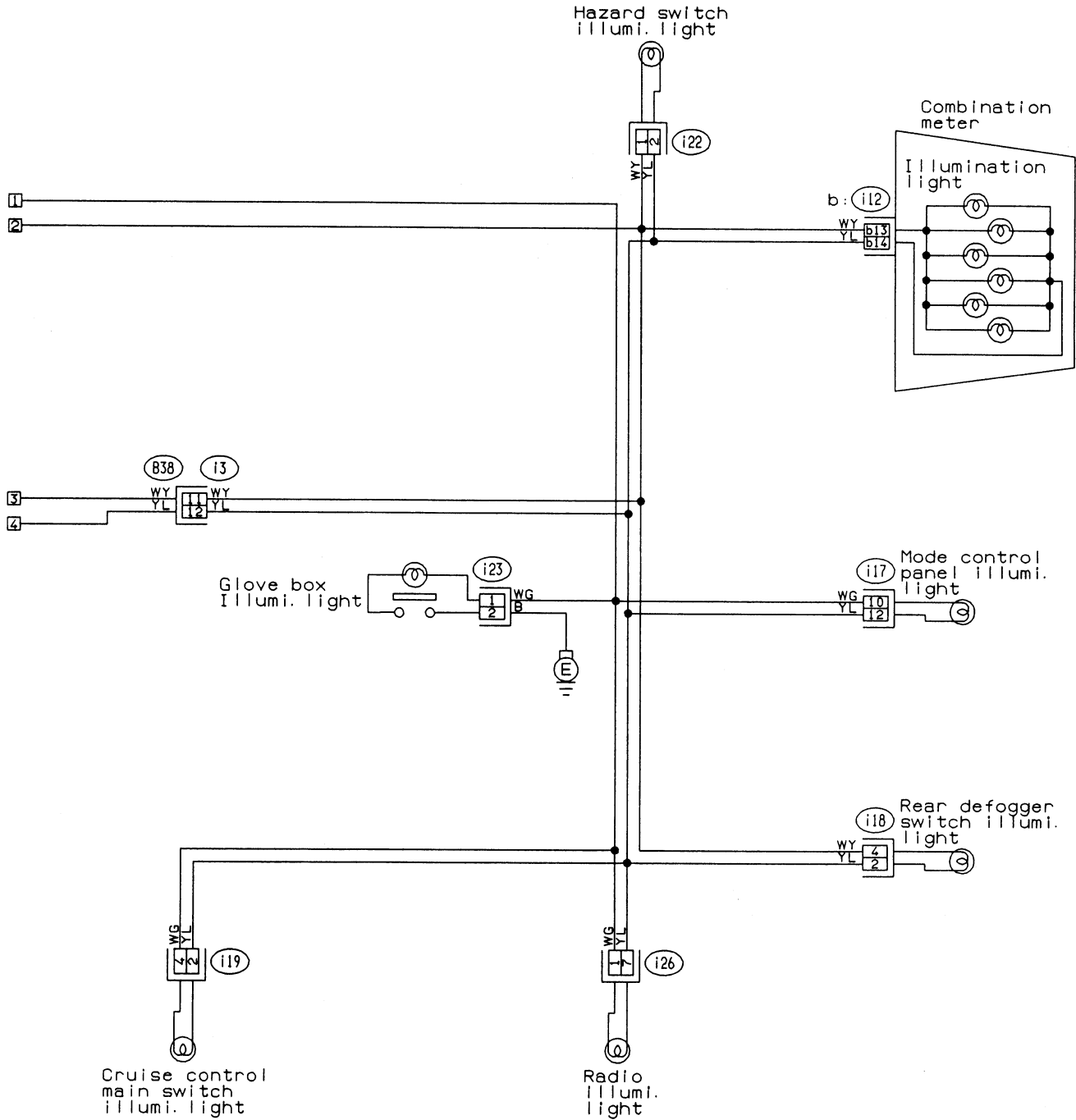
19. LIGHTING
(TAIL LIGHT-ILLUMINATION LIGHT-ETC.) SYSTEM
● LHD model



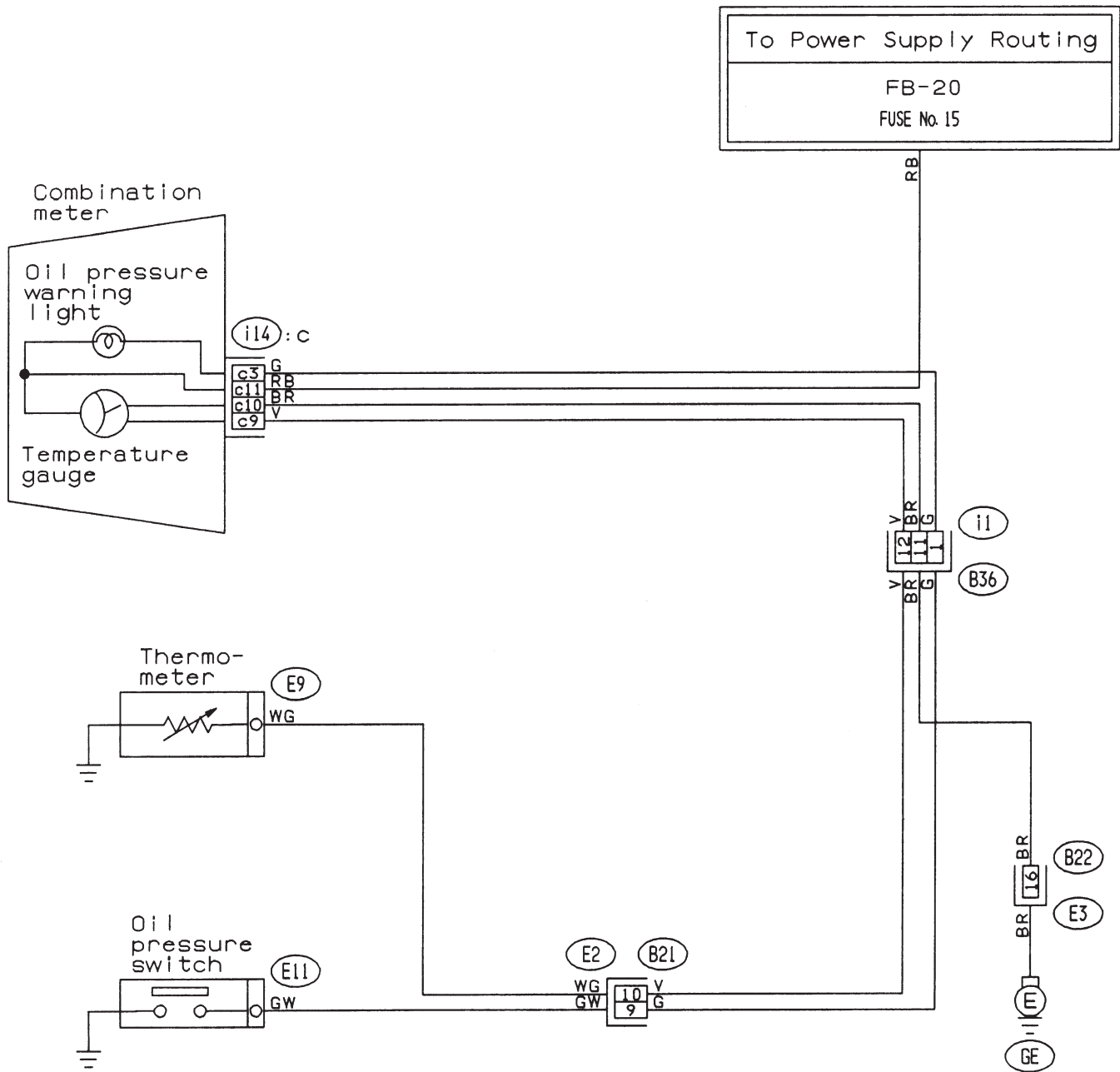


19. LIGHTING
(TAIL LIGHT-ILLUMINATION LIGHT-ETC.) SYSTEM
● RHD model

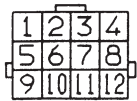




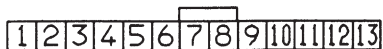
20. OIL PRESSURE AND TEMPERATURE GAUGE SYSTEM



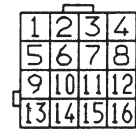
(B21) (Light gray)



(i14)



(B22) (Light gray)

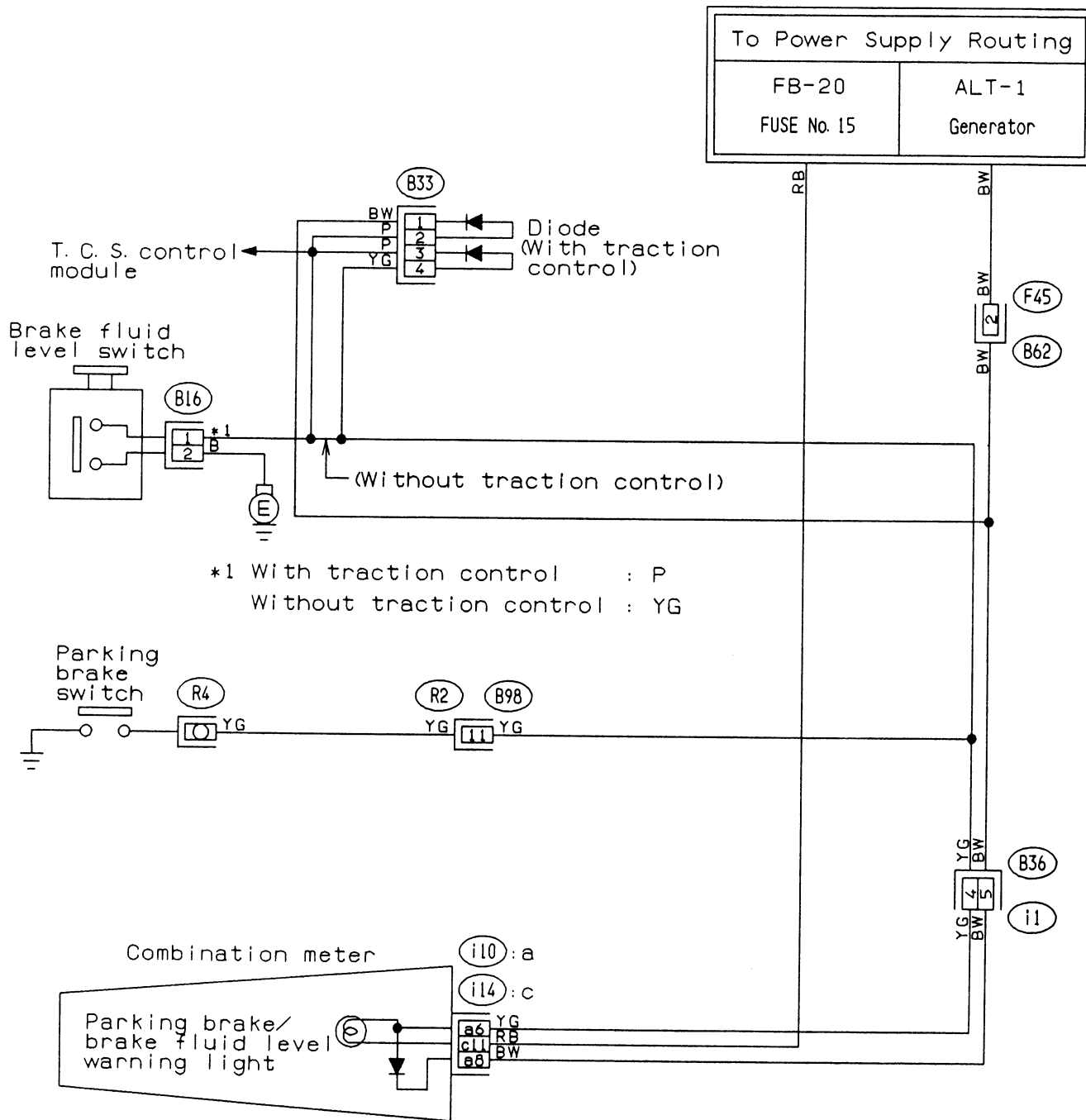


(i1) (Black)



21. PARKING BRAKE AND BRAKE FLUID LEVEL WARNING SYSTEM

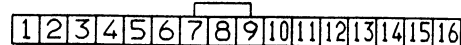
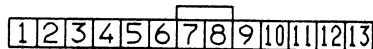
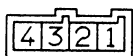
● LHD model



B16 (Gray) B33 (Brown)

i14

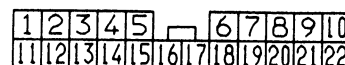
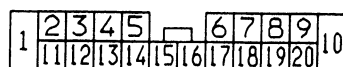
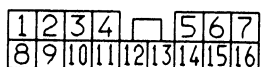
i10 (Light gray)



B98 (Black)

F45

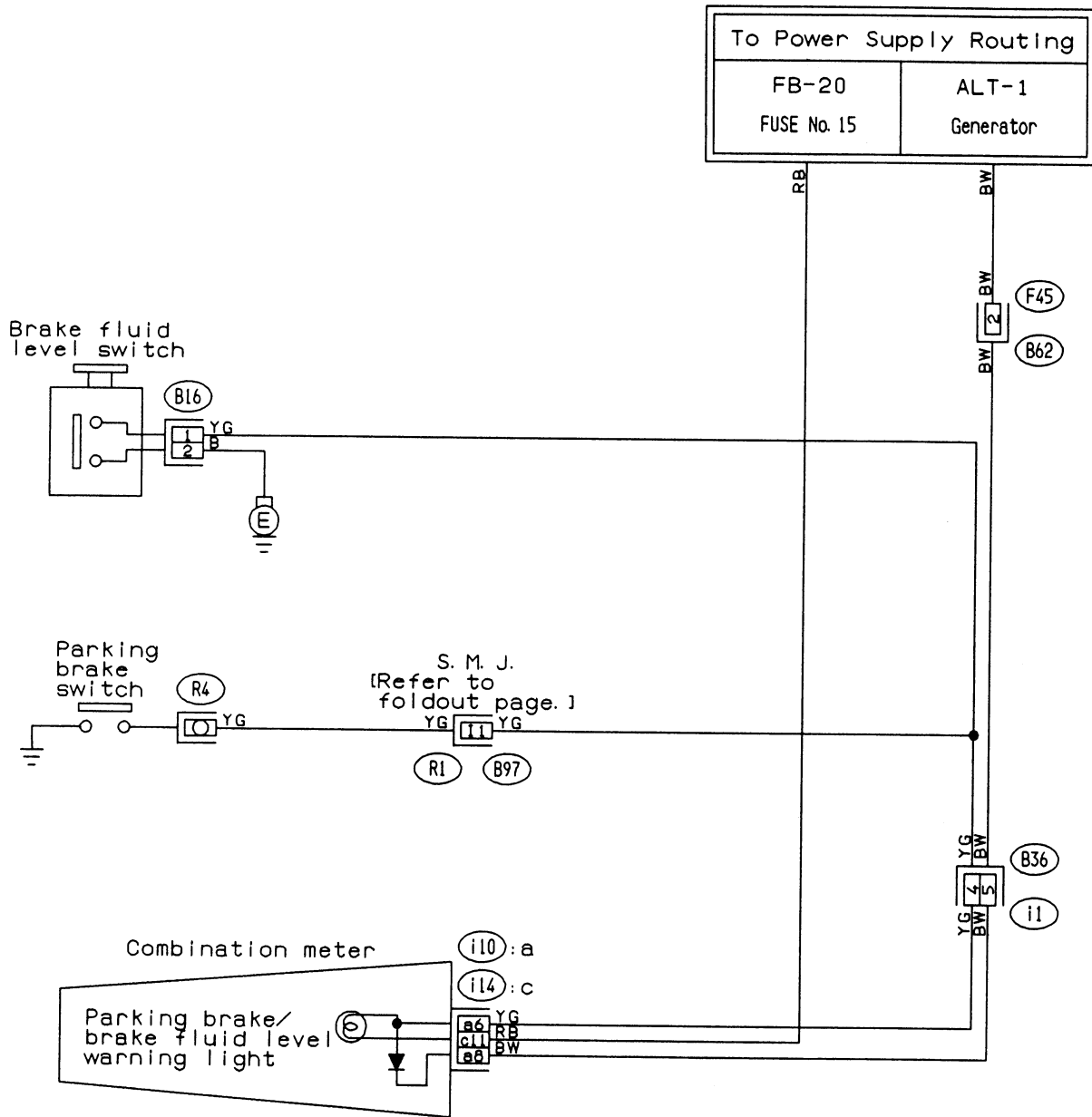
i1 (Black)



BU60-01

21. PARKING BRAKE AND BRAKE FLUID LEVEL WARNING SYSTEM

- RHD model

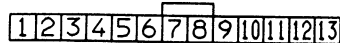


(B16) (Gray)

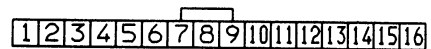
(12)



(i14)



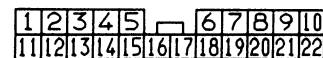
(i10) (Light gray)



(F45)

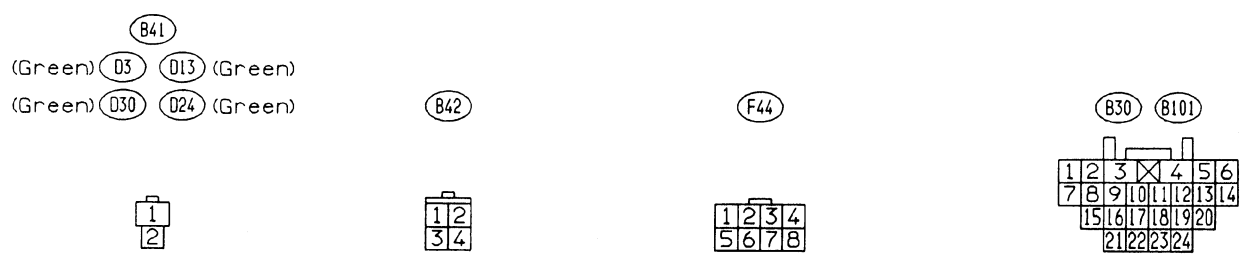
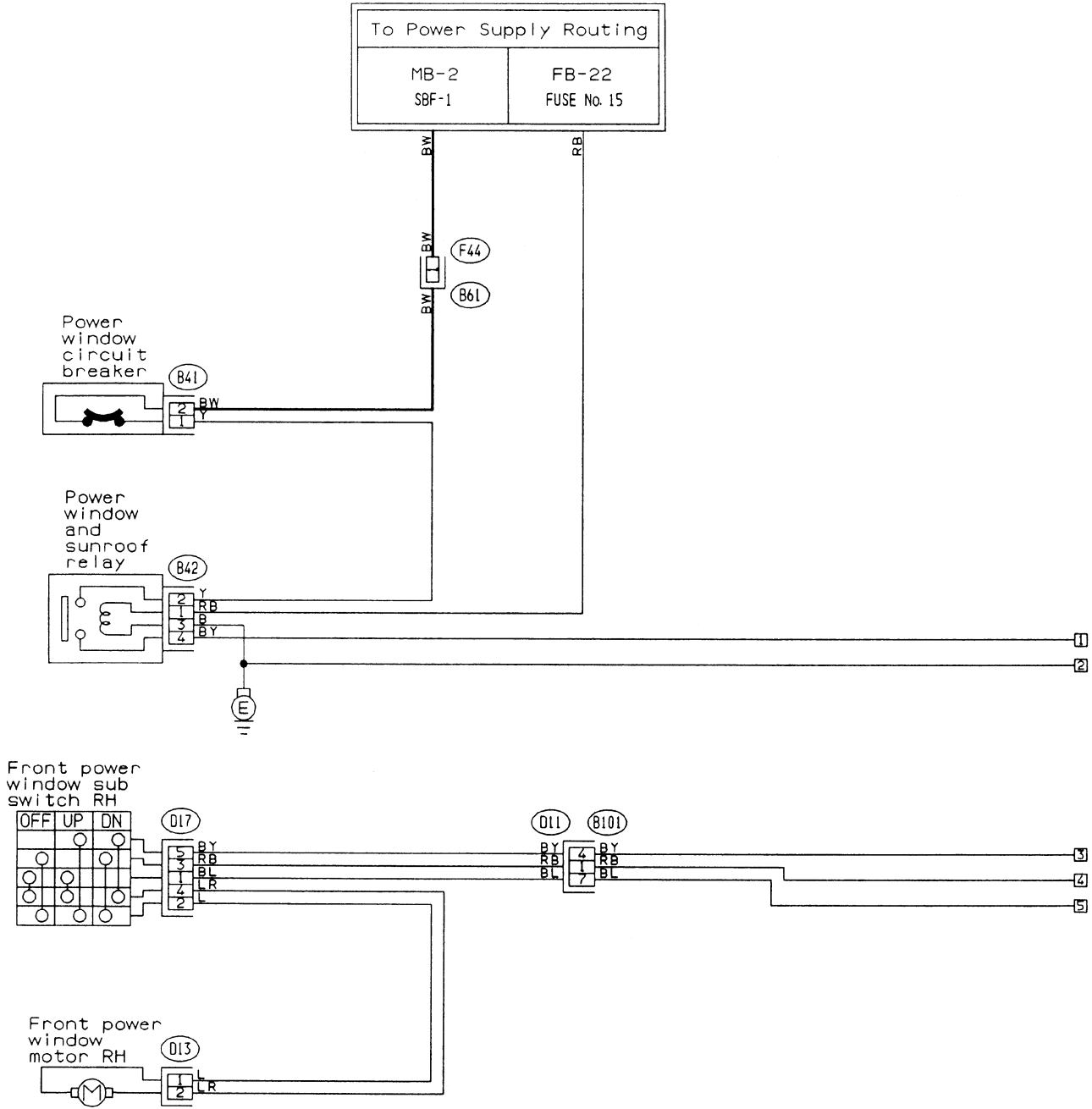


(i1) (Black)

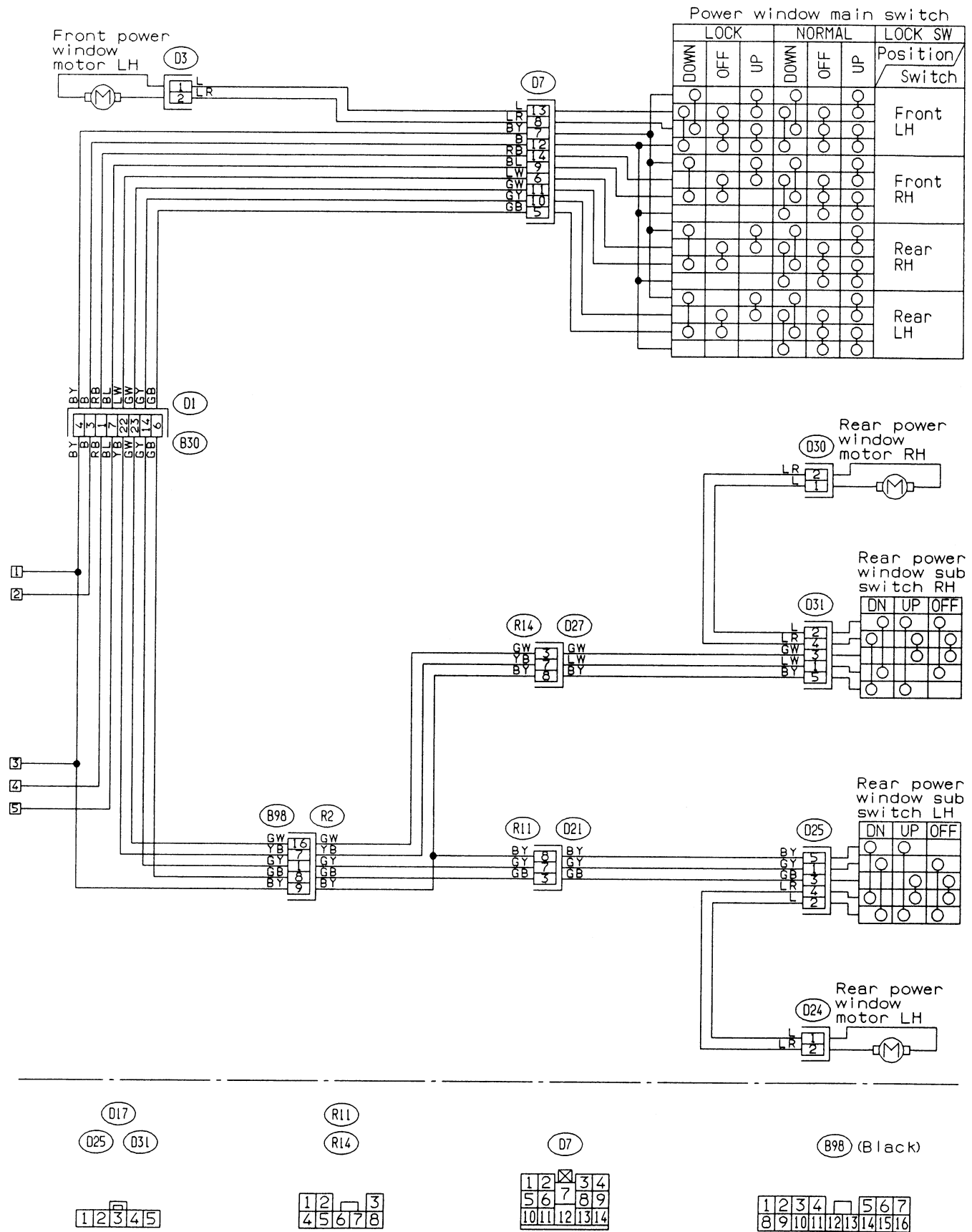


22. POWER WINDOW SYSTEM

● LHD model

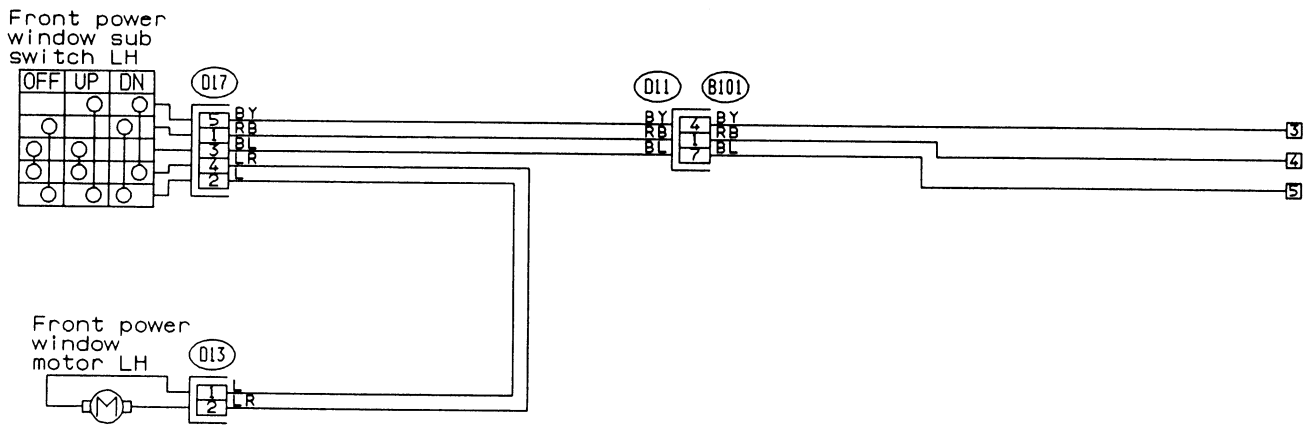
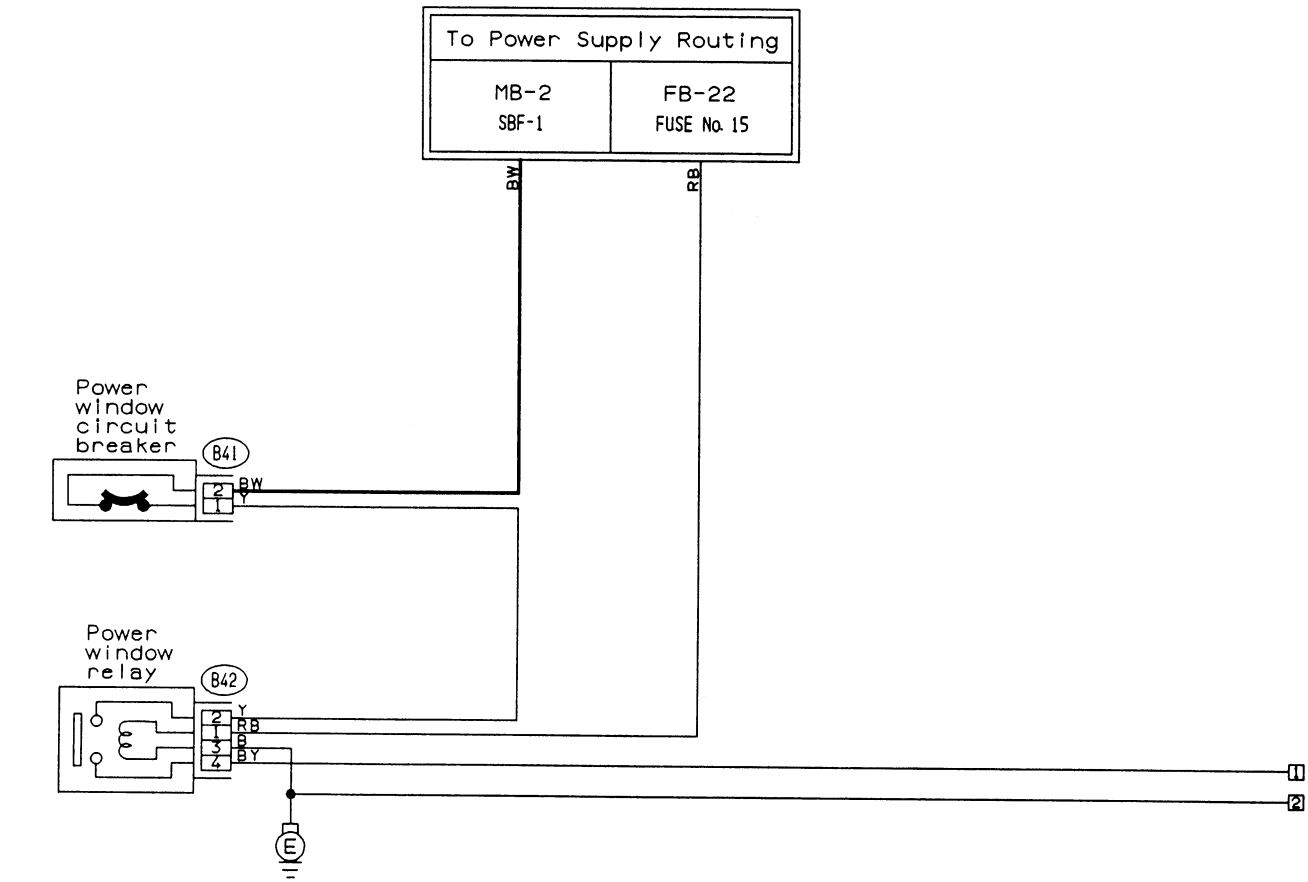


6. Wiring Diagram



22. POWER WINDOW SYSTEM

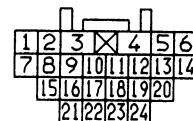
● RHD model

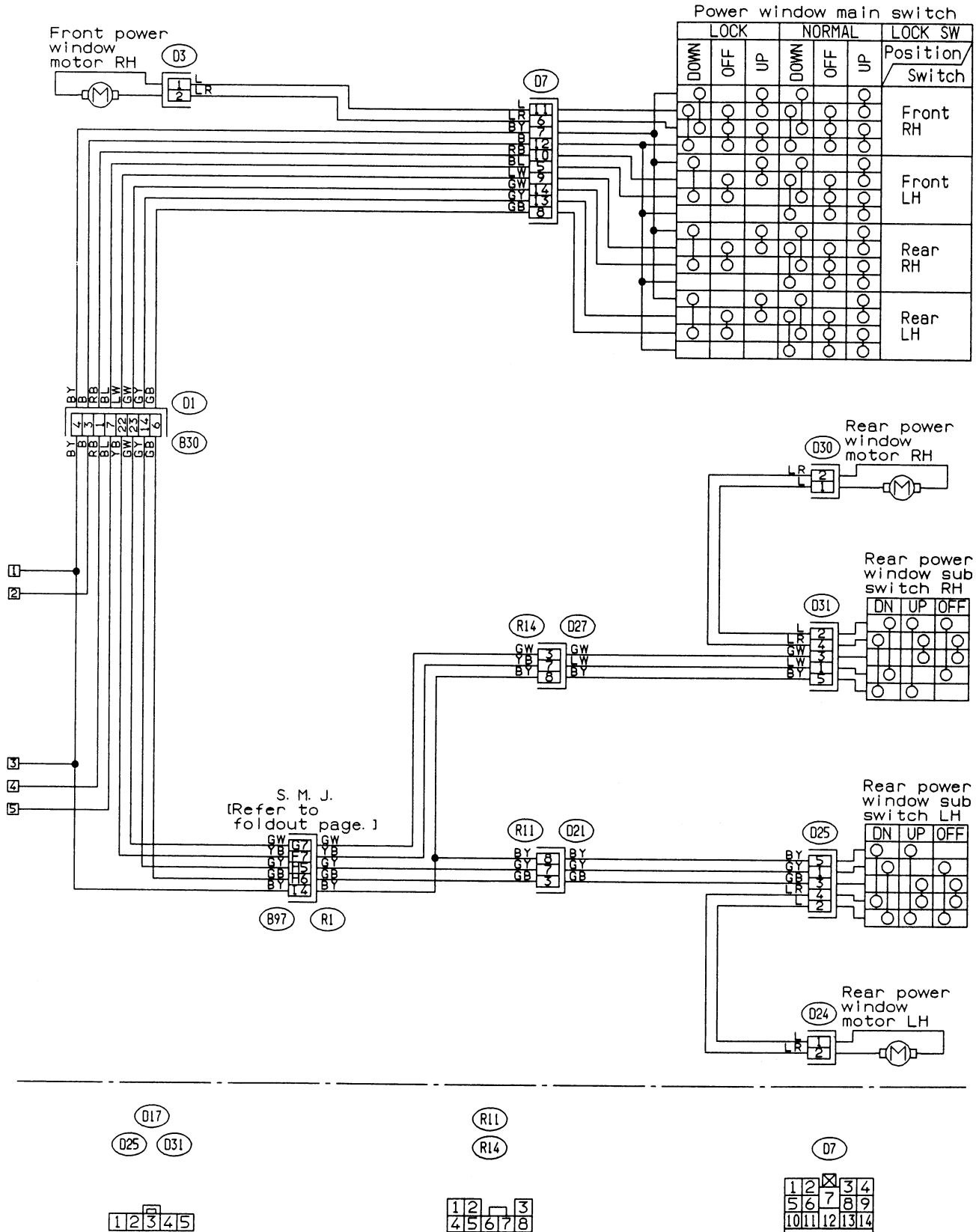


(Green) (D3) (D13) (Green)
 (Green) (D30) (D24) (Green)

(B42)

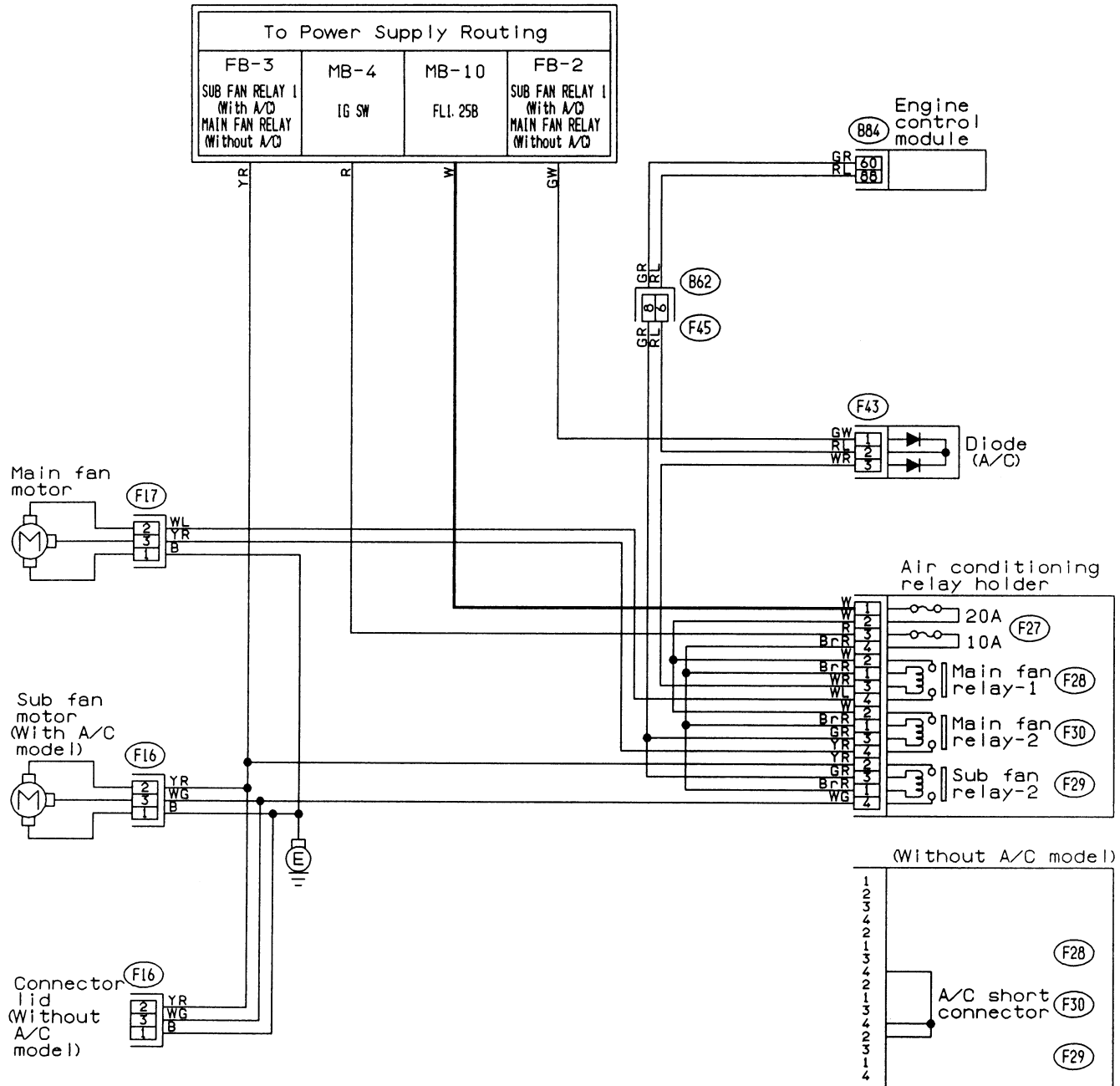
(B30) (B101)



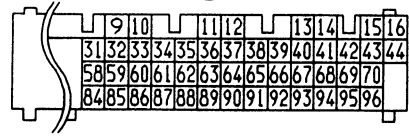
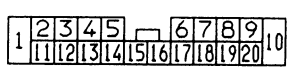
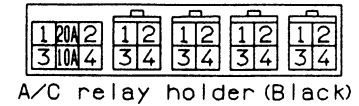
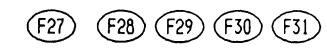


23. RADIATOR FAN SYSTEM

● LHD model

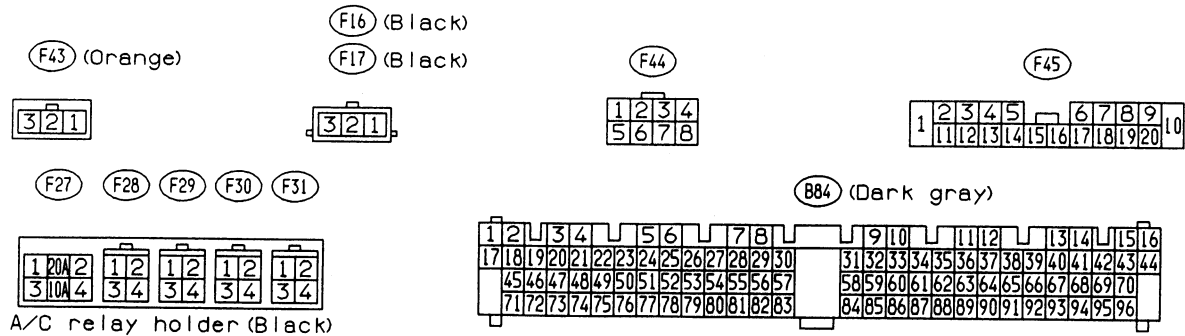
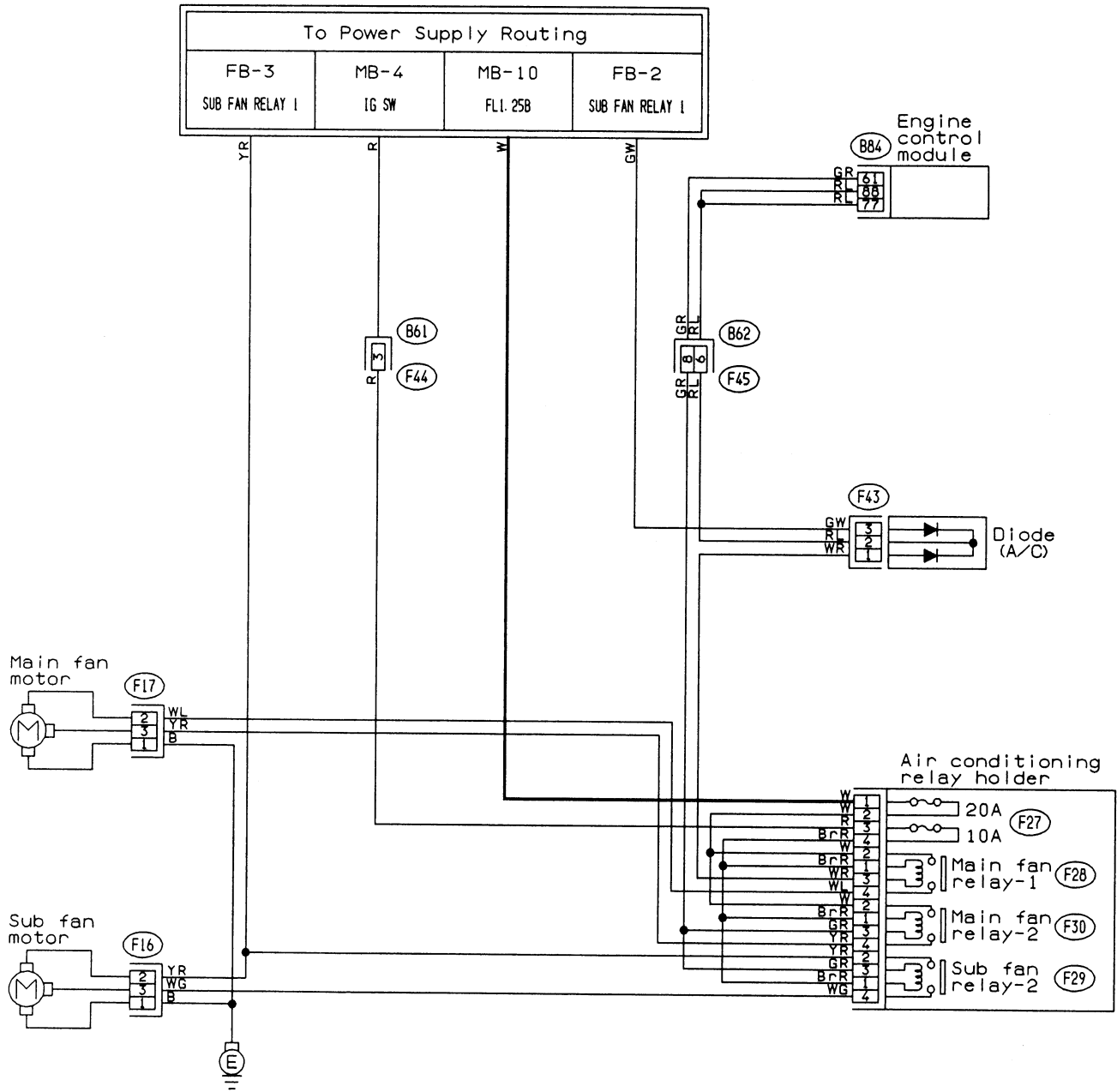


- (F43) (Orange)
- (F45)
- (F16) (Black)
- (F17) (Black)



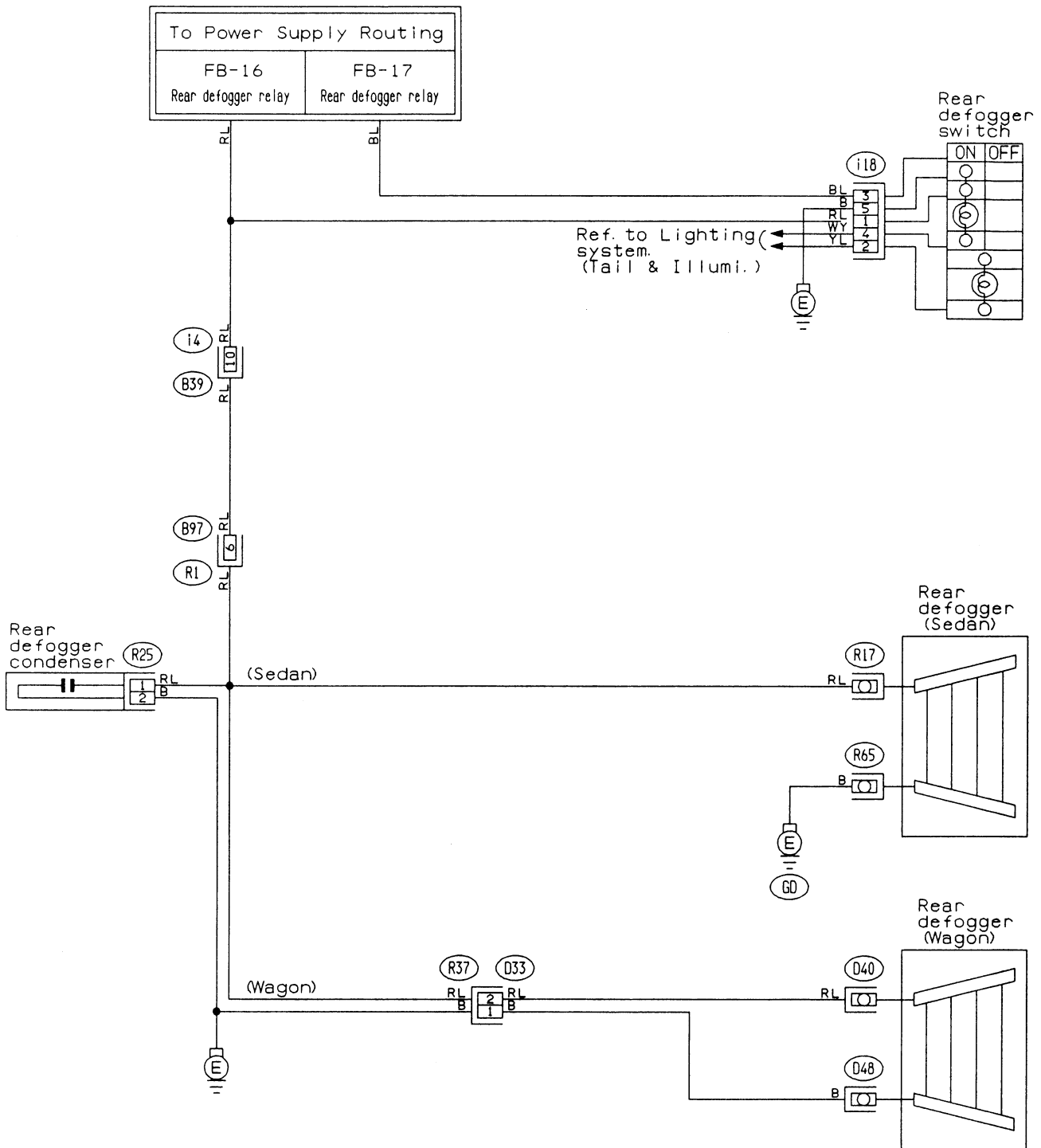
23. RADIATOR FAN SYSTEM

● RHD model



24. REAR WINDOW DEFOGGER SYSTEM

● LHD model



(D33)

(R25) (Black)



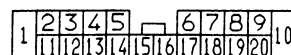
(i18)



(B97)

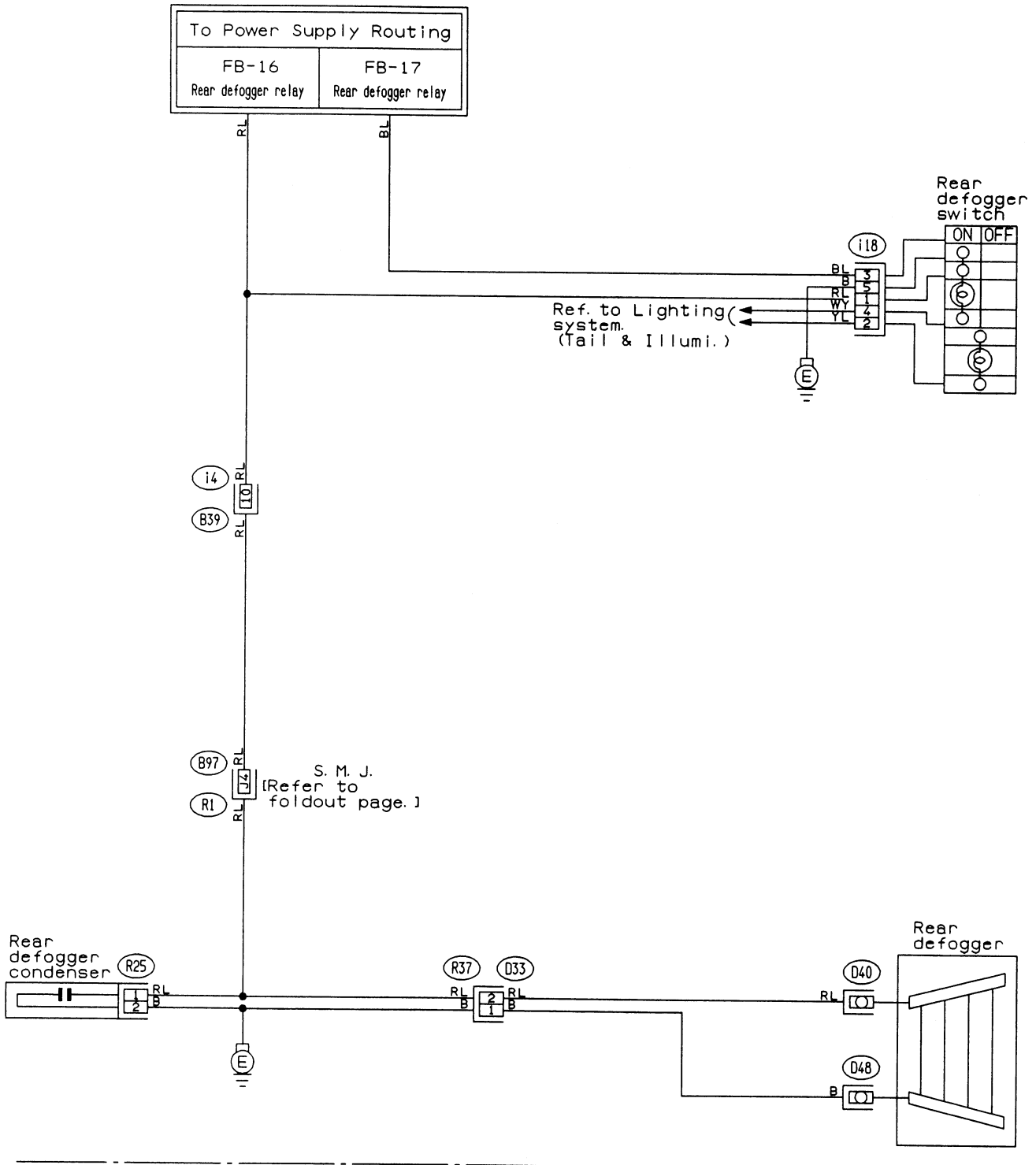


(i4) (Blue)



24. REAR WINDOW DEFOGGER SYSTEM

- RHD model



(D33)

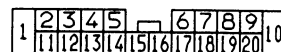
(R25) (Black)



(118)

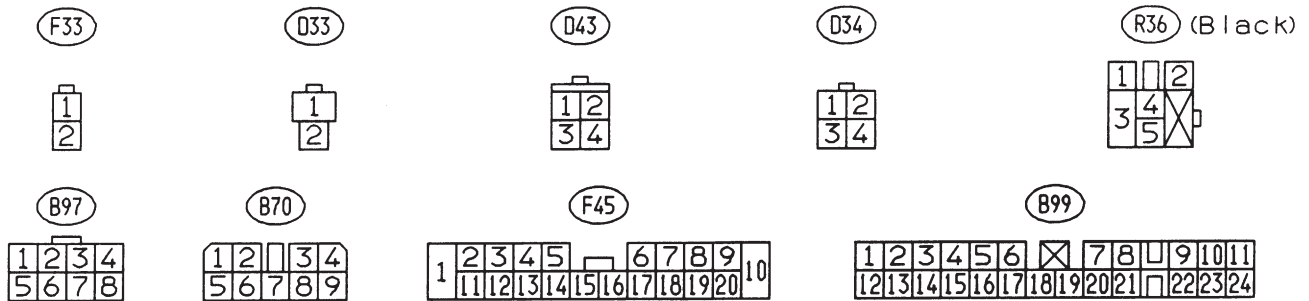
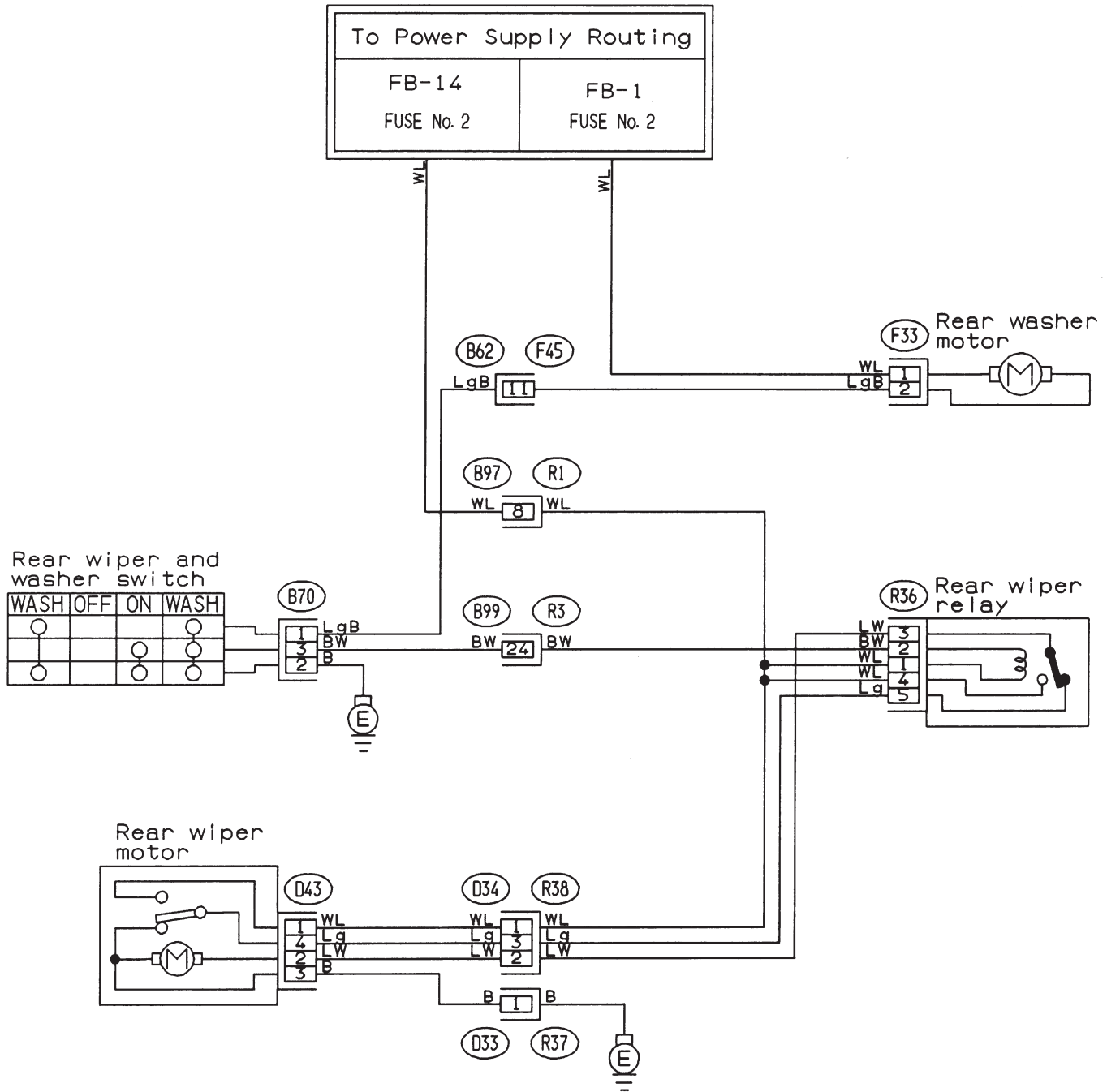


(14) (Blue)



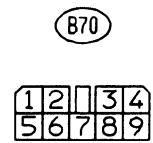
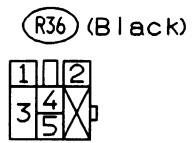
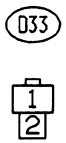
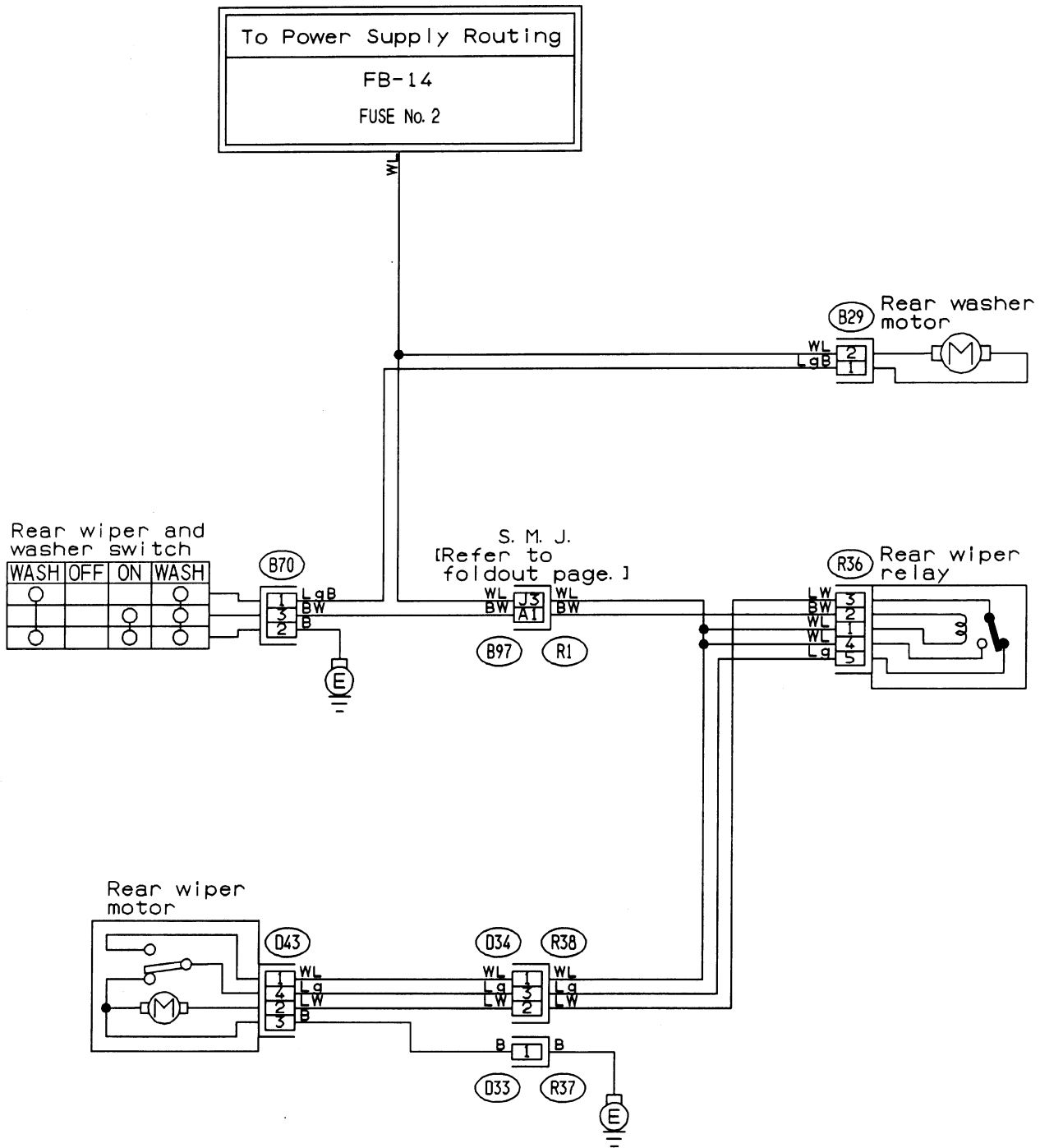
25. REAR WIPER AND WASHER SYSTEM

● LHD model



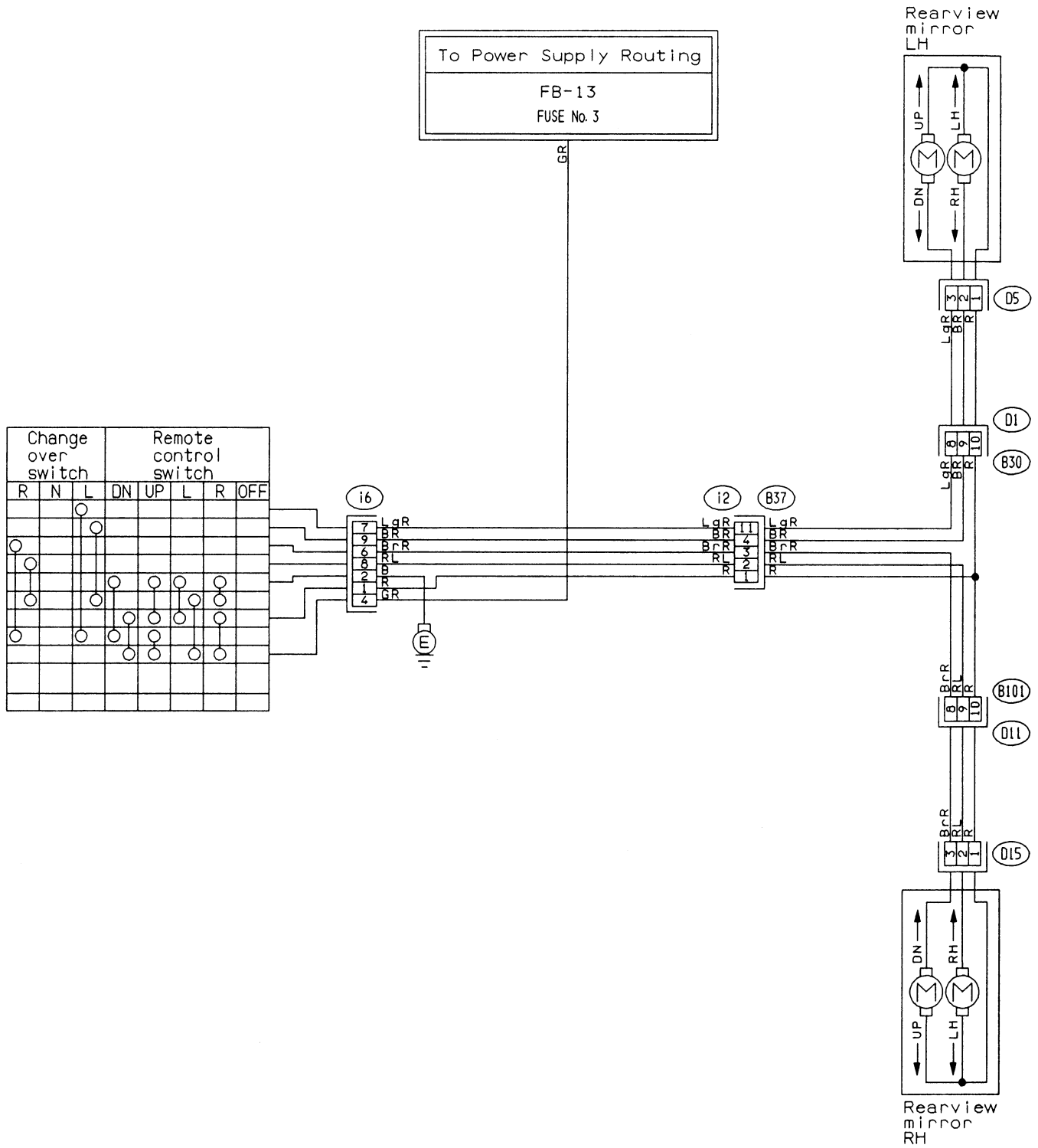
25. REAR WIPER AND WASHER SYSTEM

● RHD model



26. REMOTE CONTROL REARVIEW MIRROR SYSTEM

- LHD model

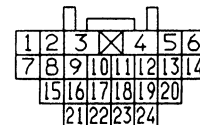
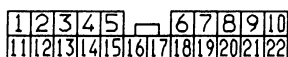
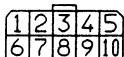


(D5) (D15)

(i6)

(i2)

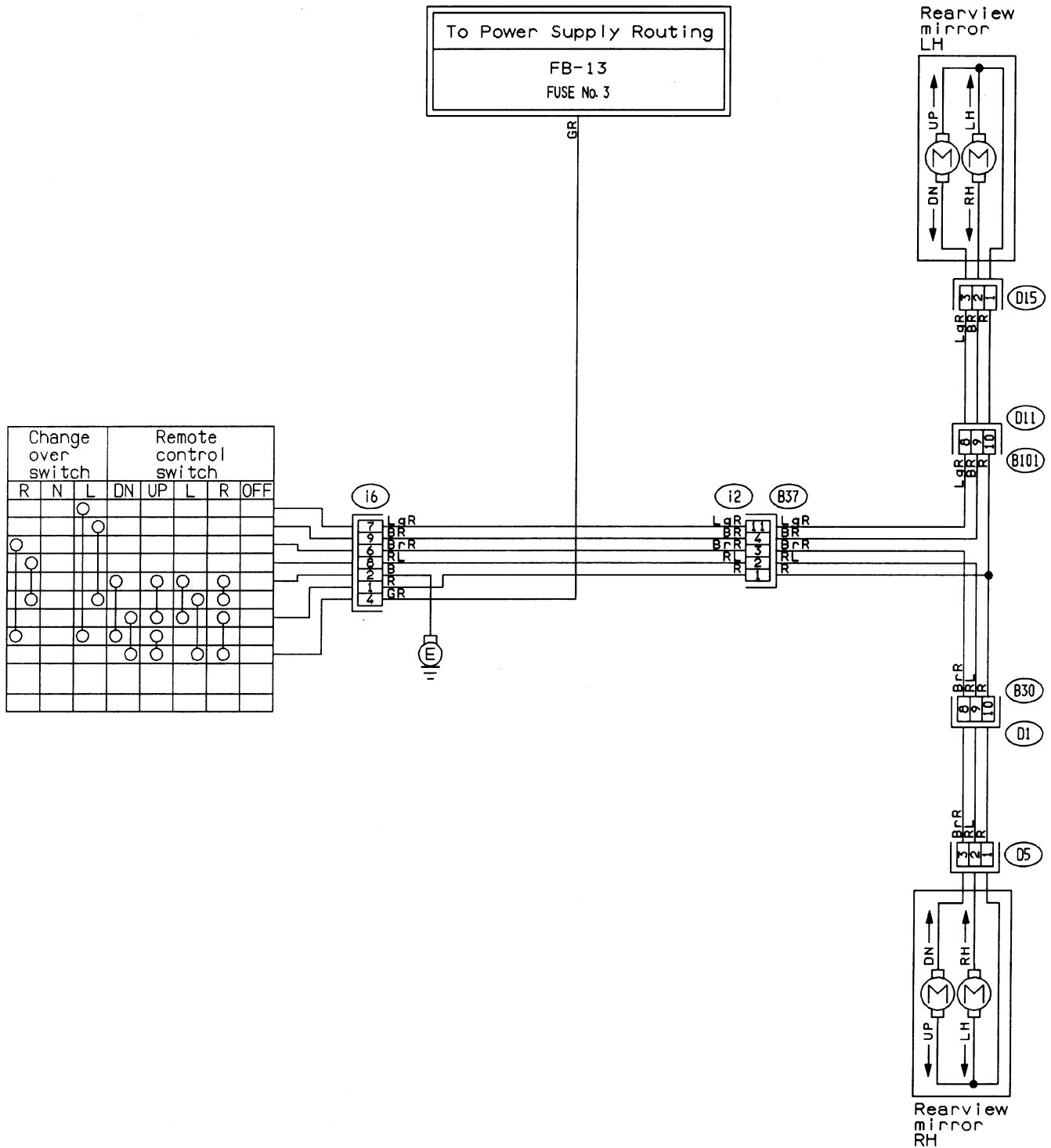
(B30) (B101)



BU79-01

26. REMOTE CONTROL REARVIEW MIRROR SYSTEM

- RHD model

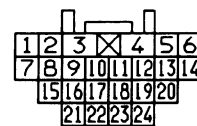
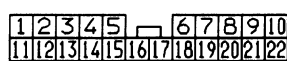
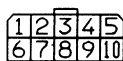


(D5) (D15)

(i6)

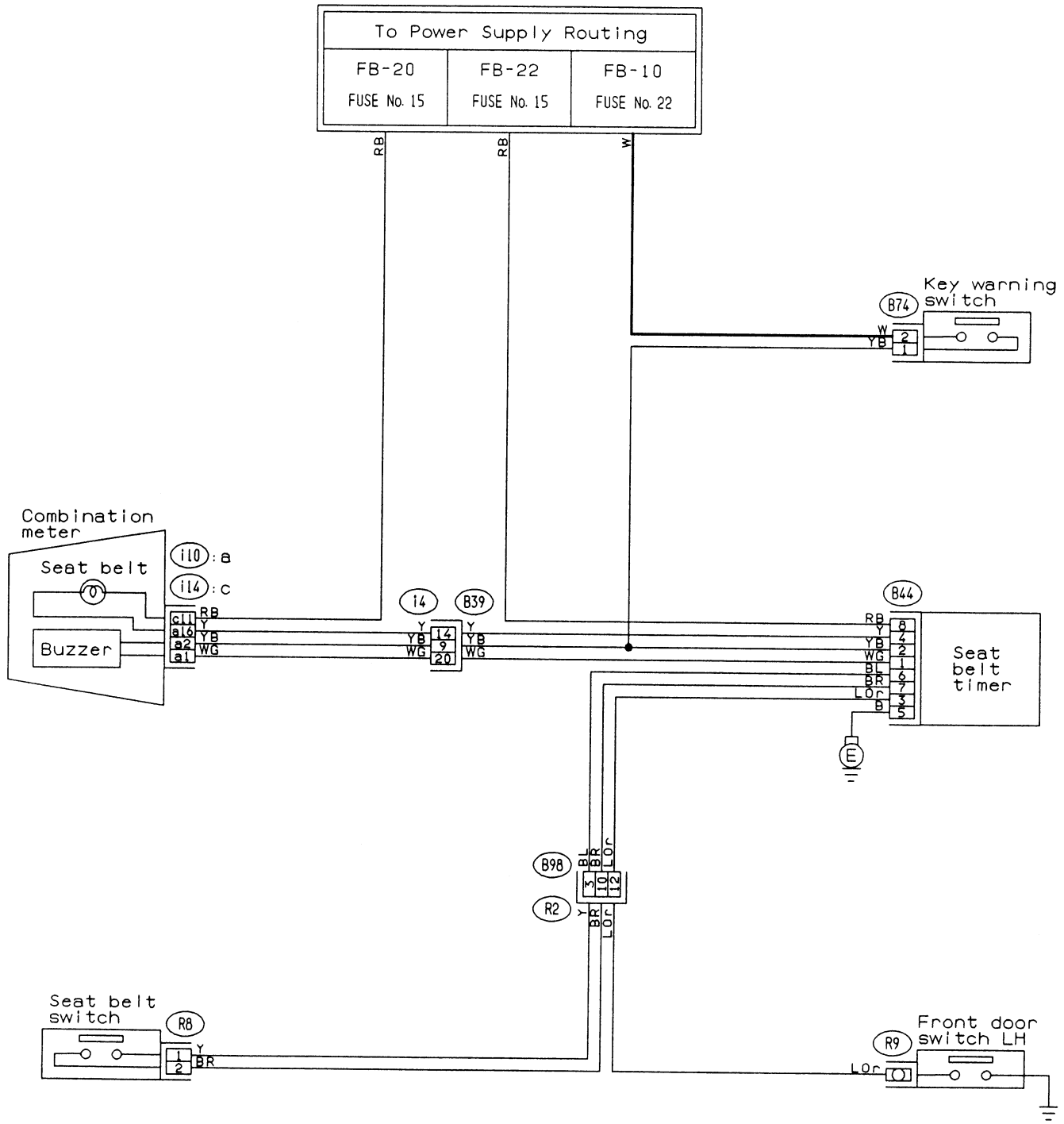
(i2)

(B30) (B101)



27. SEAT BELT WARNING SYSTEM

● LHD model



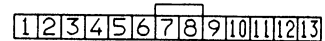
(R8) (B74) (Black)



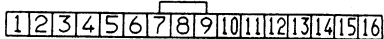
(B44)



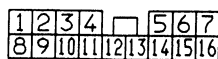
(i14)



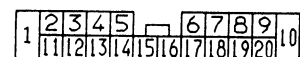
(i10) (Light gray)



(B98) (Black)

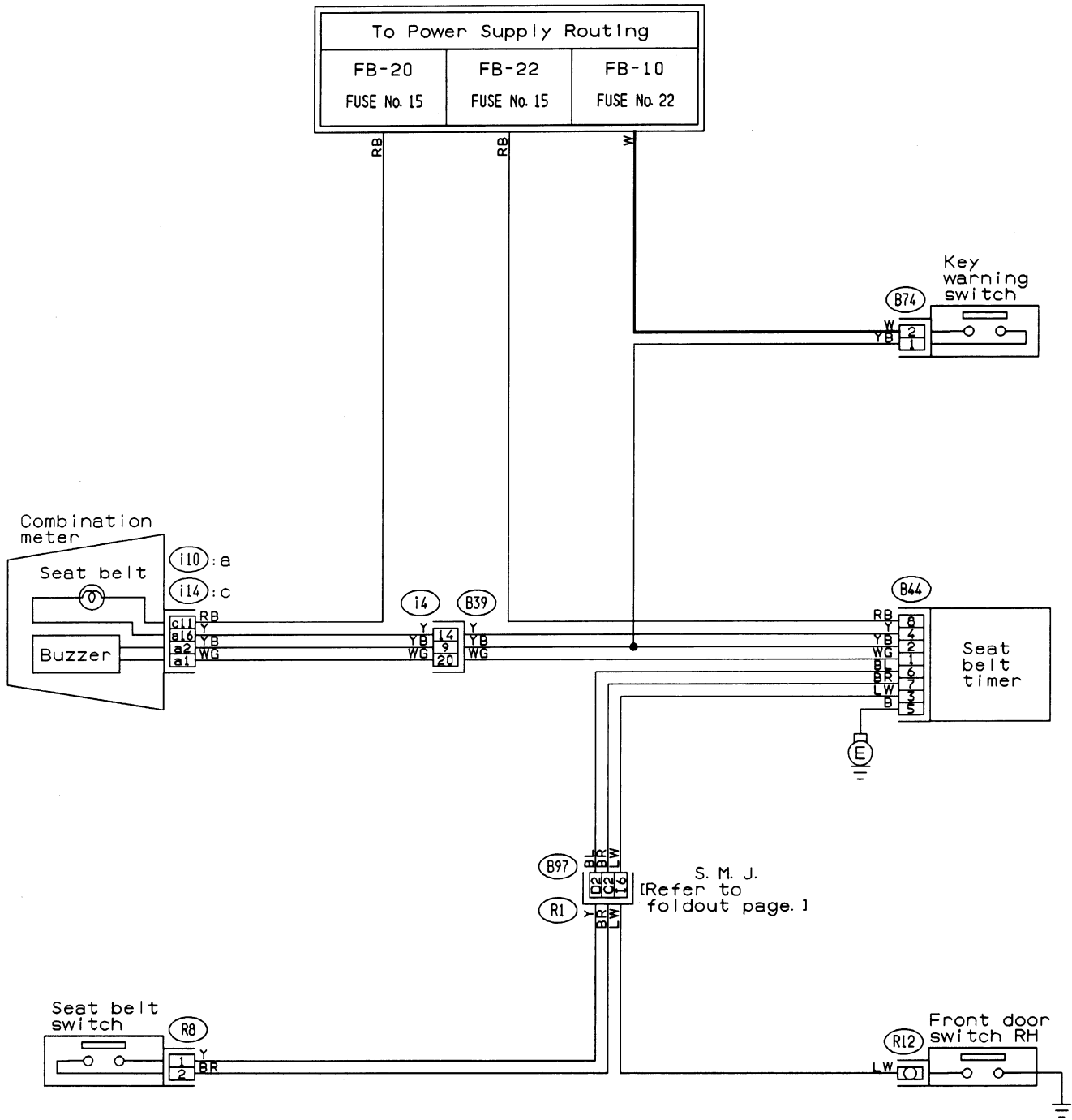


(i4) (Blue)



27. SEAT BELT WARNING SYSTEM

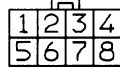
● RHD model



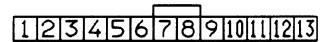
(R8) (B74) (Black)



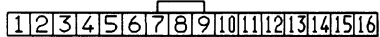
(B44)



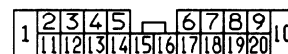
(i14)



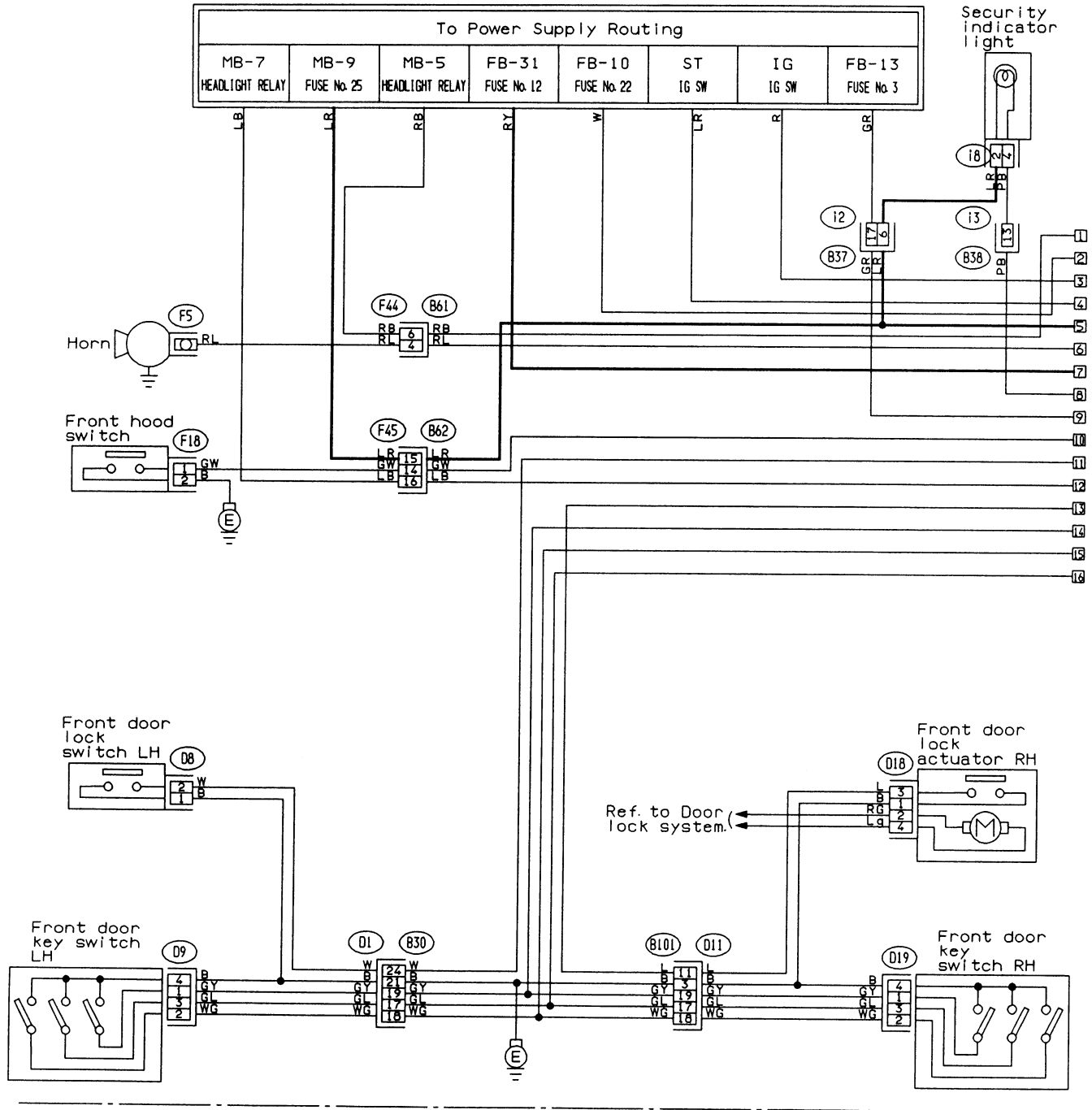
(i10) (Light gray)



(i4) (Blue)



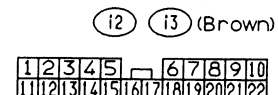
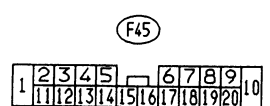
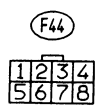
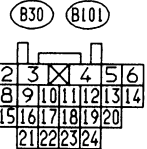
28. SECURITY SYSTEM

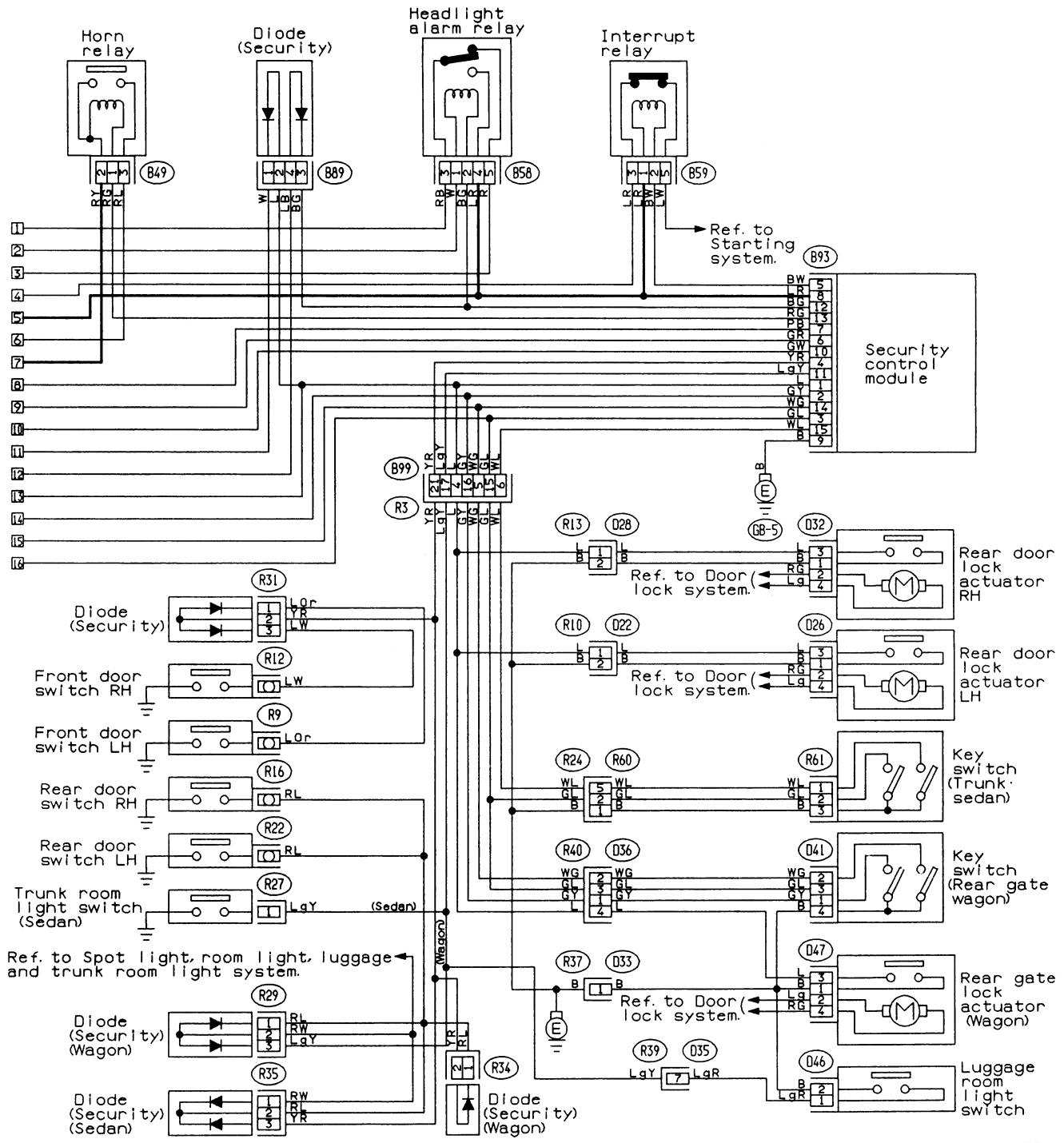


(Gray) (R10) (R13) (F18) (D8) (Gray)

(Gray) (D9) (D19) (Gray)

(Brown) (i8) (D18) (Gray)
 (Gray) (D26) (D32) (Gray)
 (Gray) (D41) (D47) (Gray)

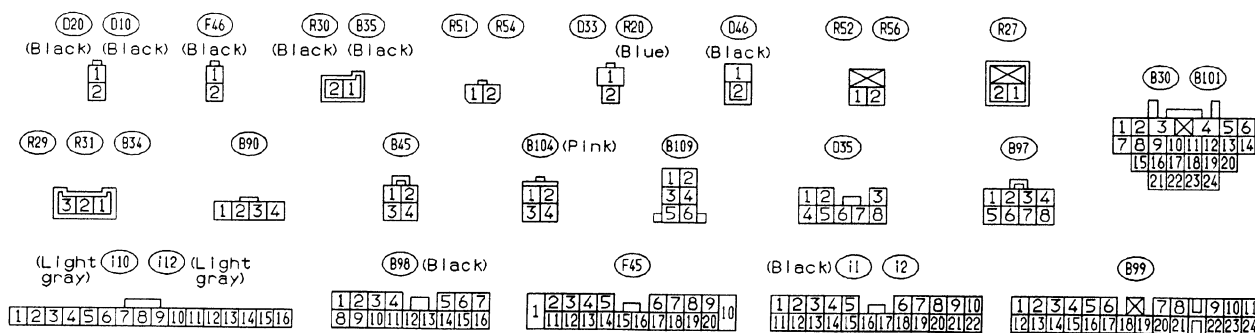
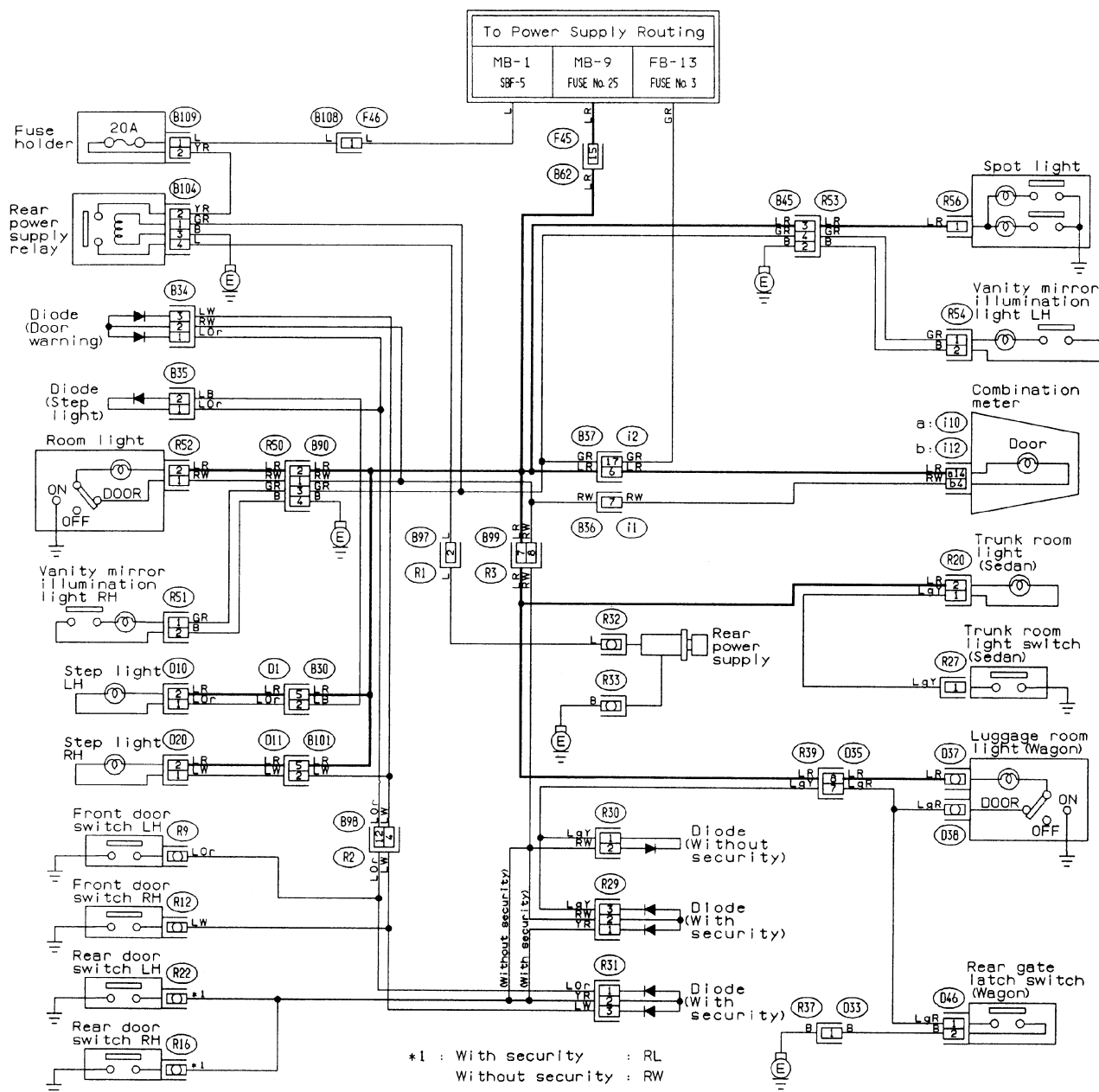




(D46)	(D33)	(R34)	(R27)	(R35)	(R29)	(R31)	(R61)	(B49)	(D36)	(B89)
(Black)	(Black)	(Black)	(Black)	(Orange)	(Black)	(Black)	(Black)	(Black)	(Black)	(Brown)
(Black)	(B58)	(B59)	(Black)	(D35)	(R60)	(B93)	(Black)	(B99)		

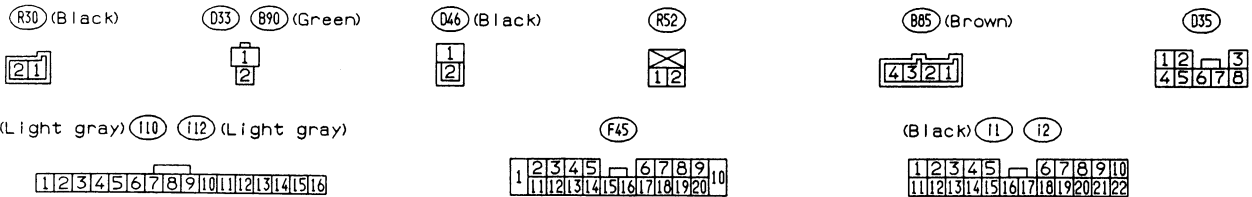
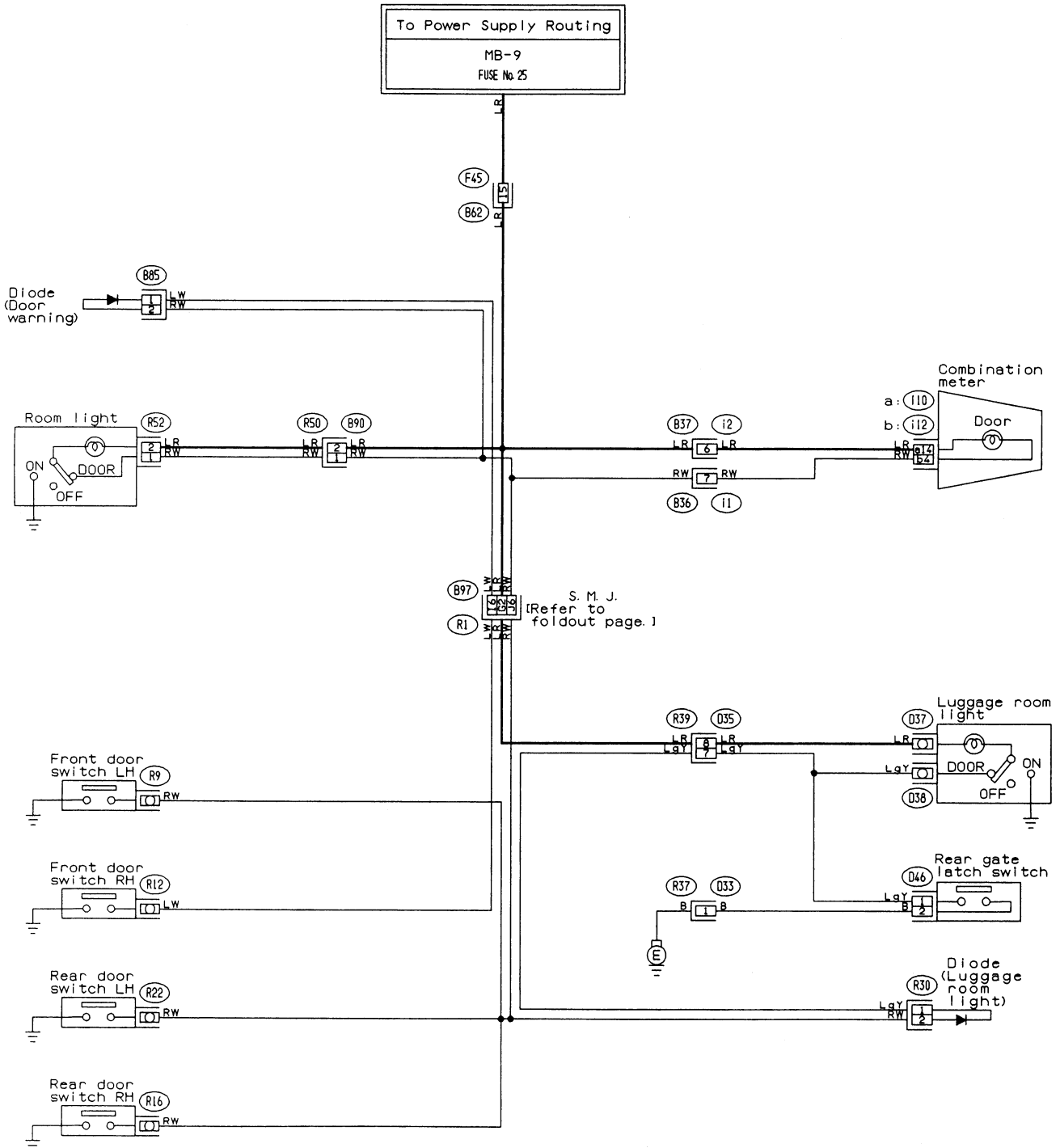
29. SPOT LIGHT, ROOM LIGHT, LUGGAGE AND TRUNK ROOM LIGHT SYSTEM

● LHD model

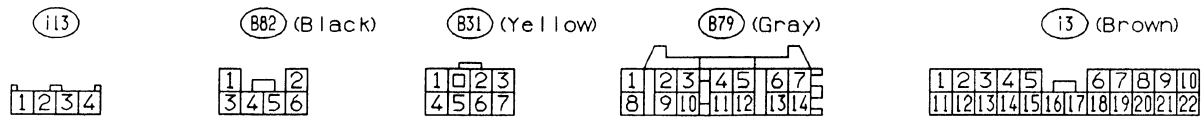
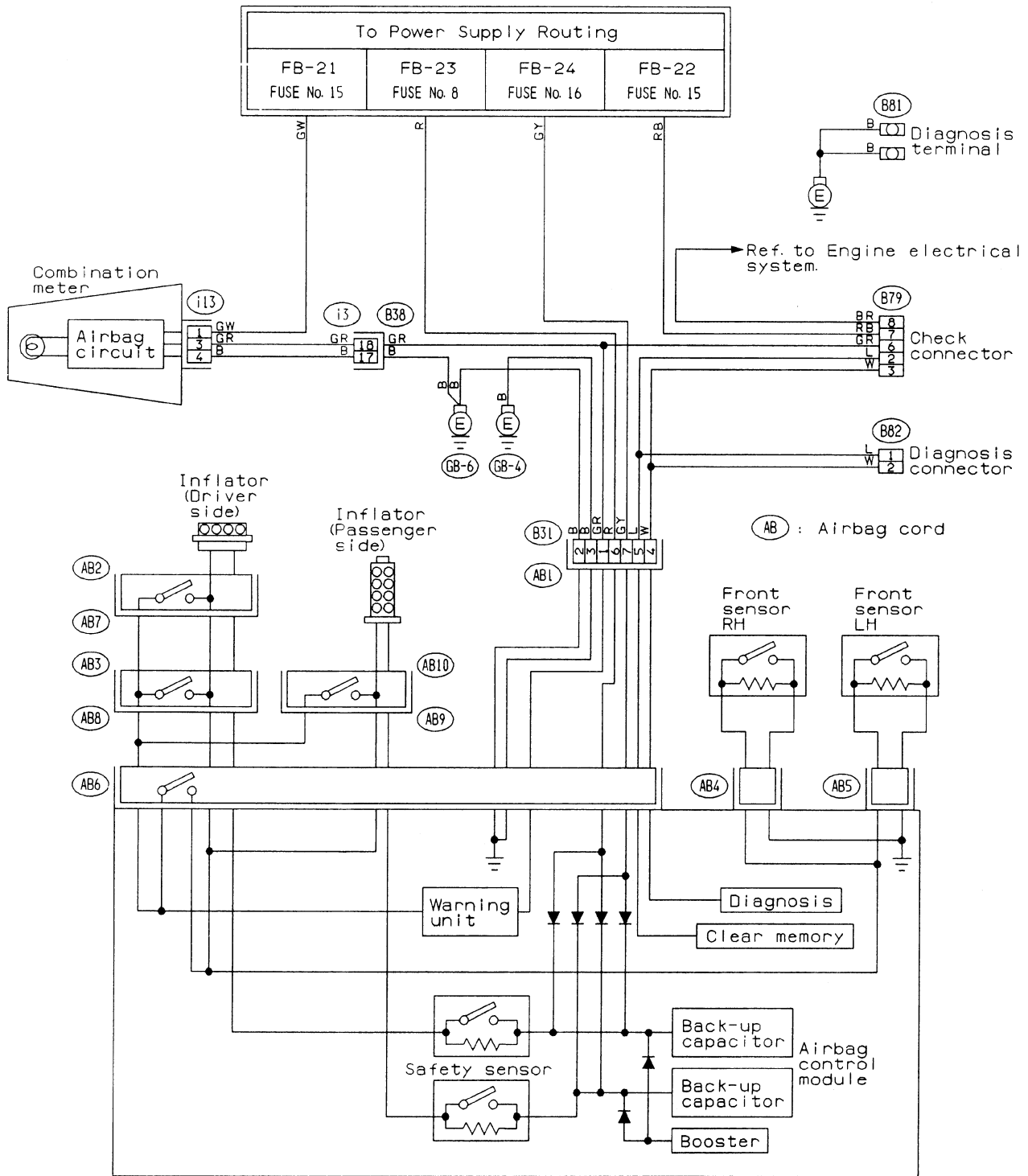


29. SPOT LIGHT, ROOM LIGHT, LUGGAGE AND TRUNK ROOM LIGHT SYSTEM

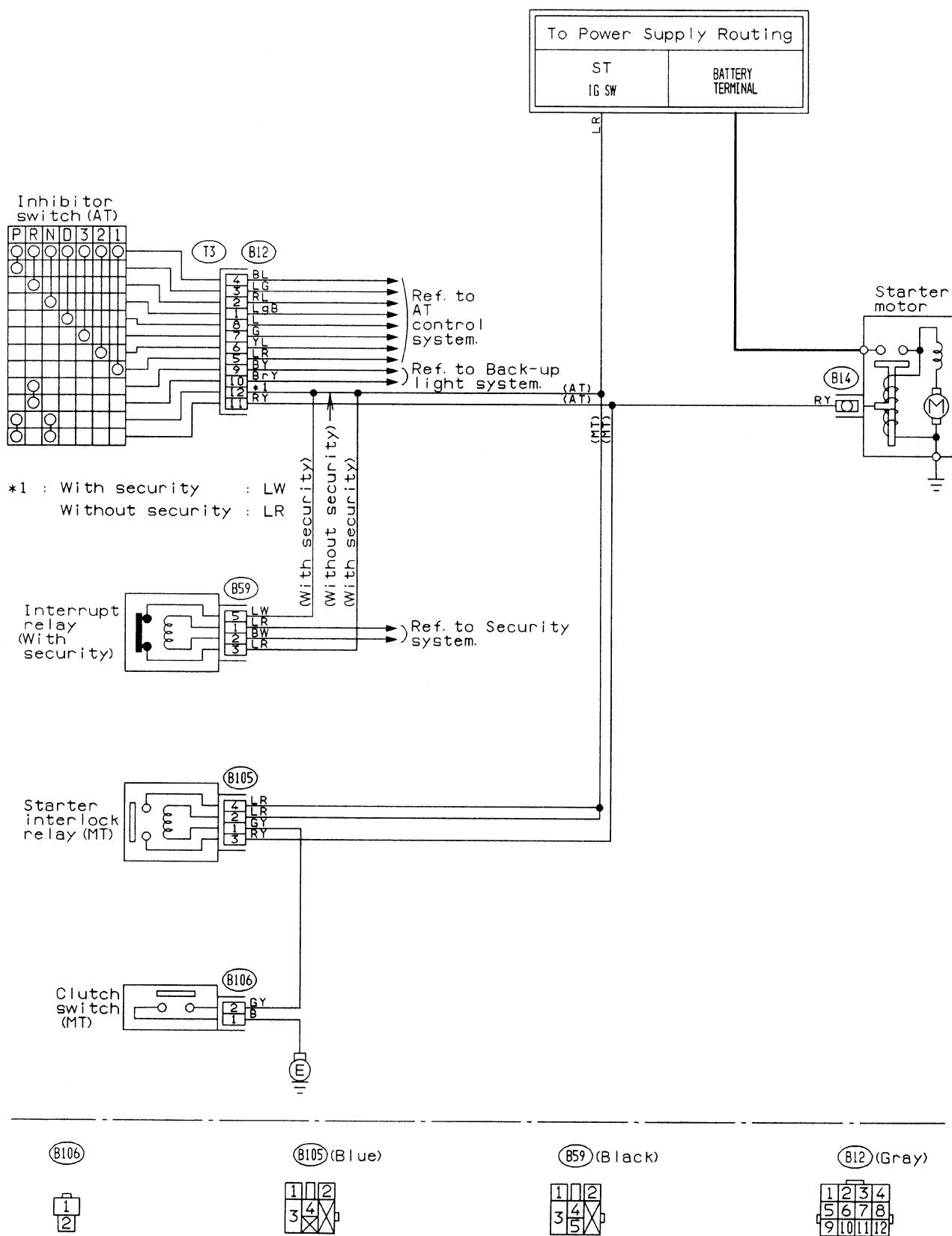
● RHD model



30. SRS (AIRBAG SYSTEM)

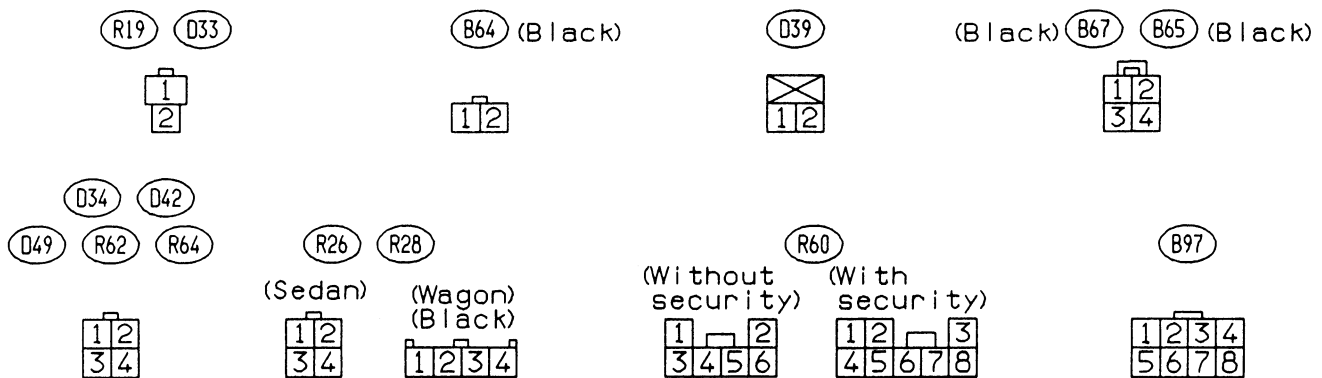
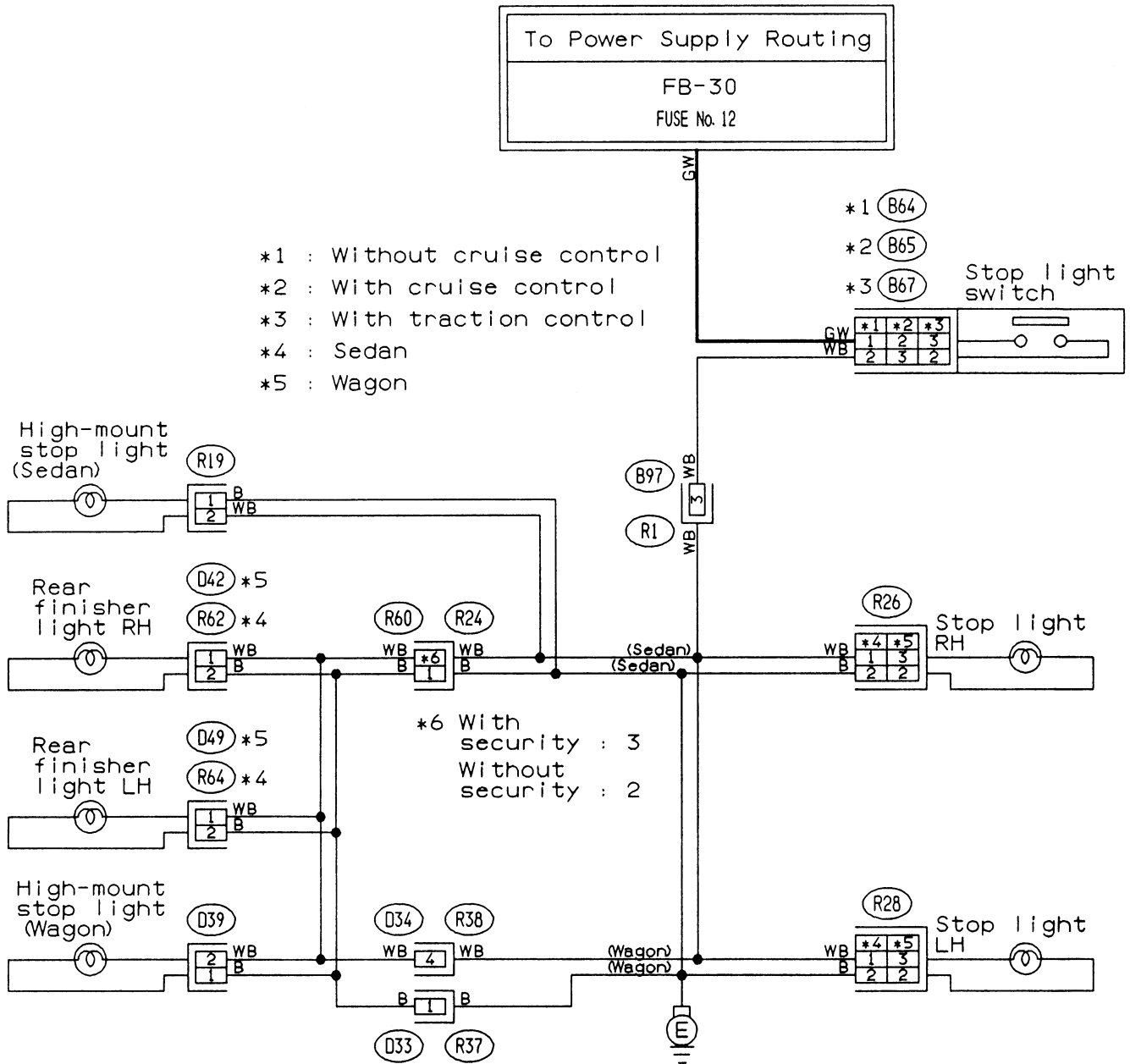


31. STARTING SYSTEM



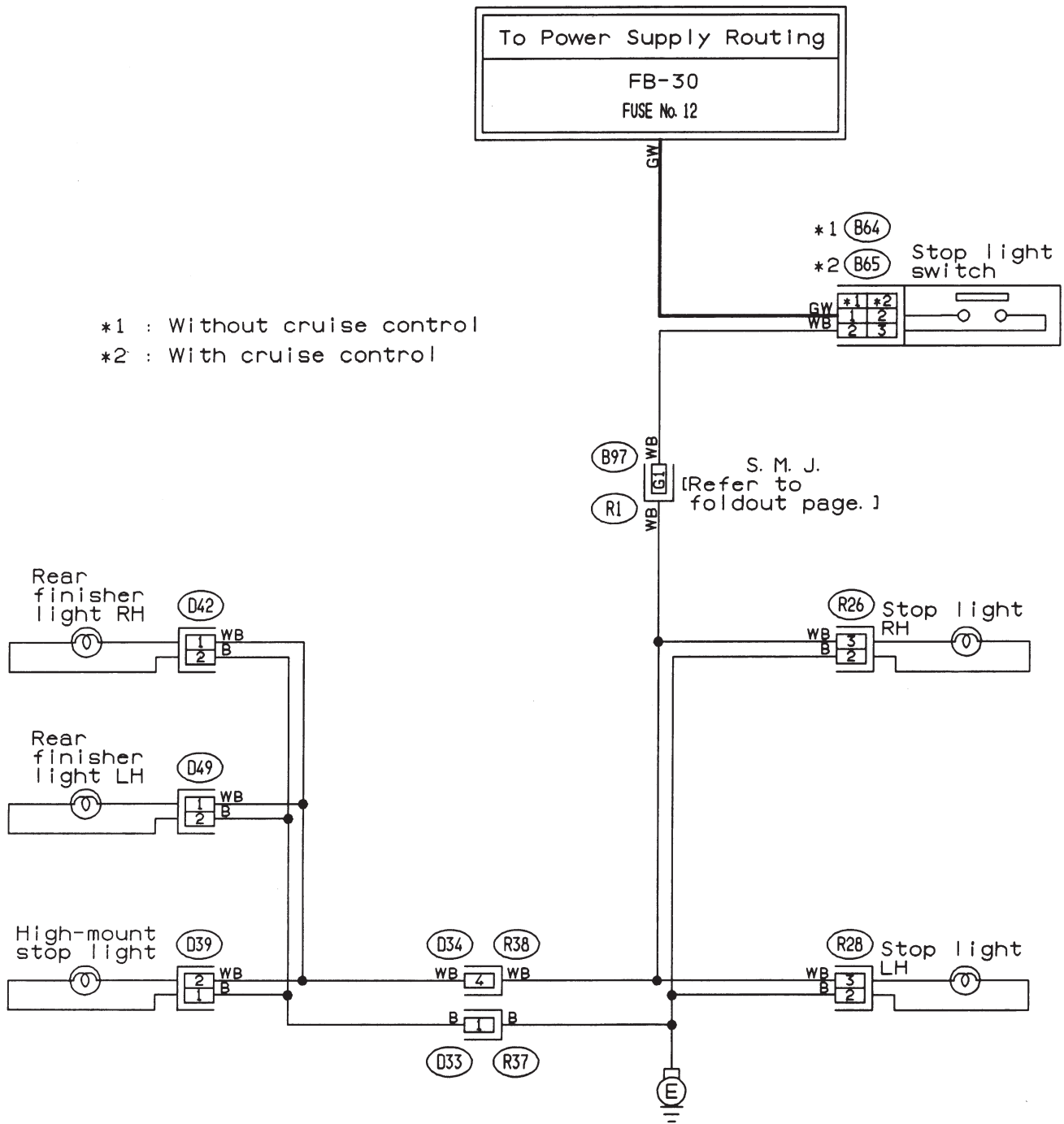
32. STOP LIGHT SYSTEM

● LHD model



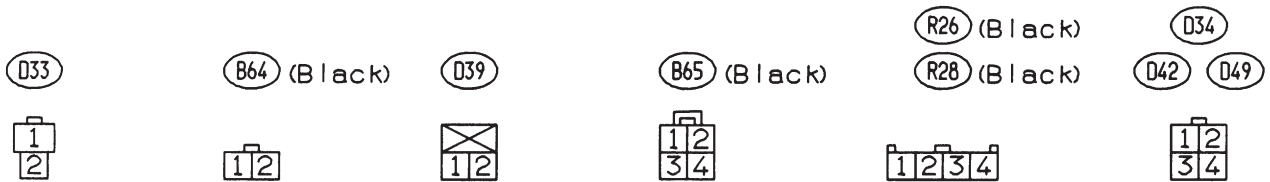
32. STOP LIGHT SYSTEM

● RHD model



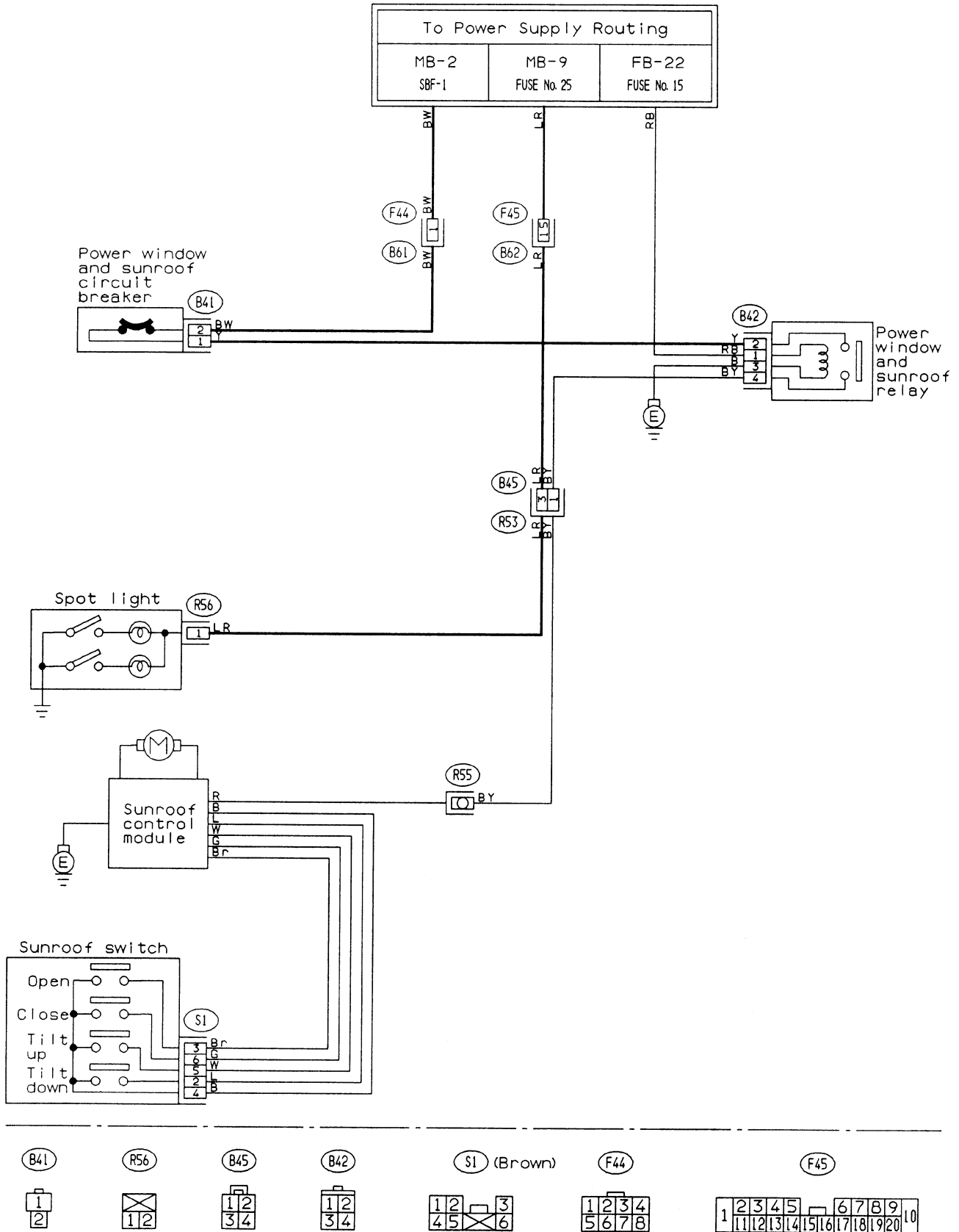
*1 : Without cruise control
 *2 : With cruise control

S. M. J.
 [Refer to foldout page.]

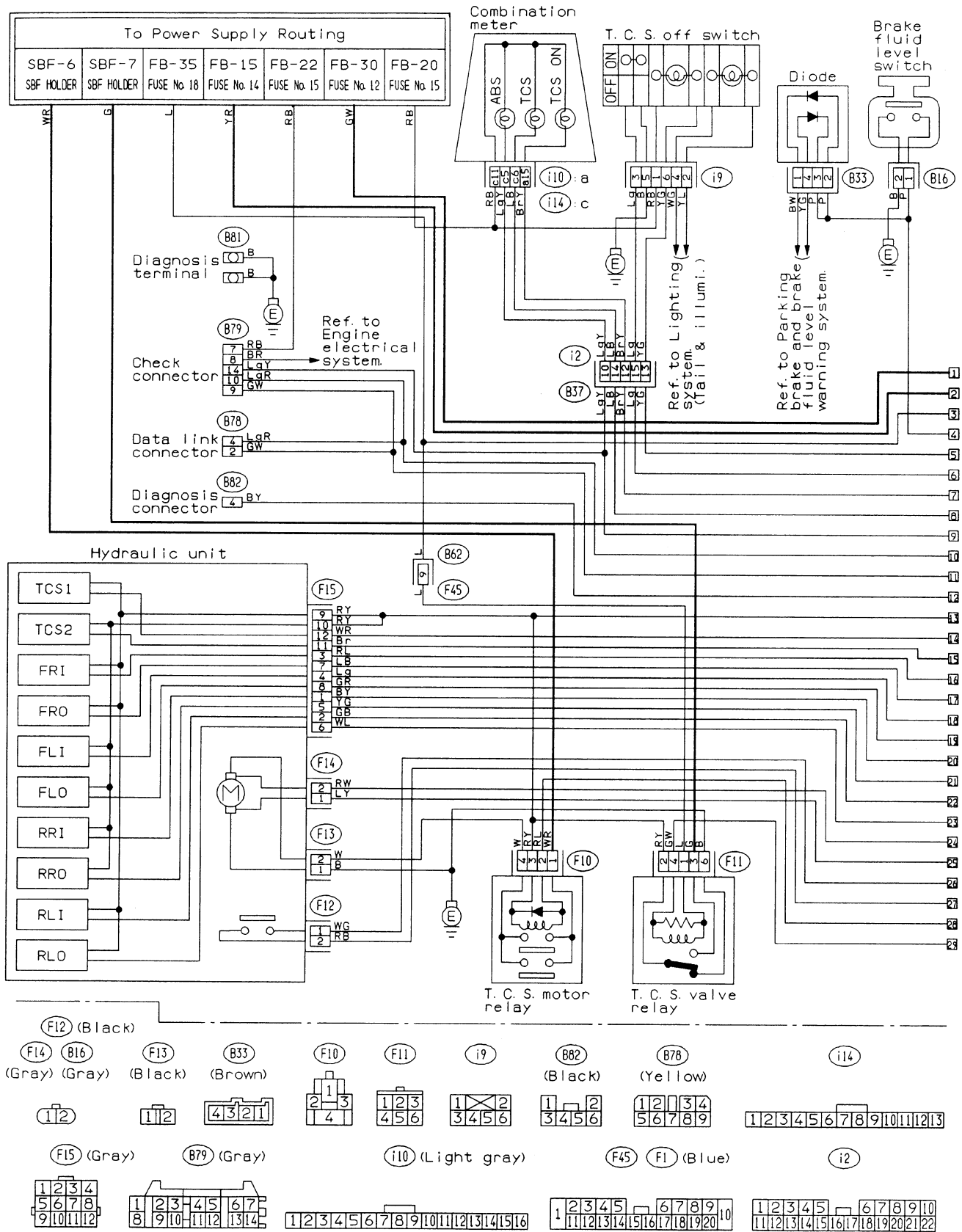


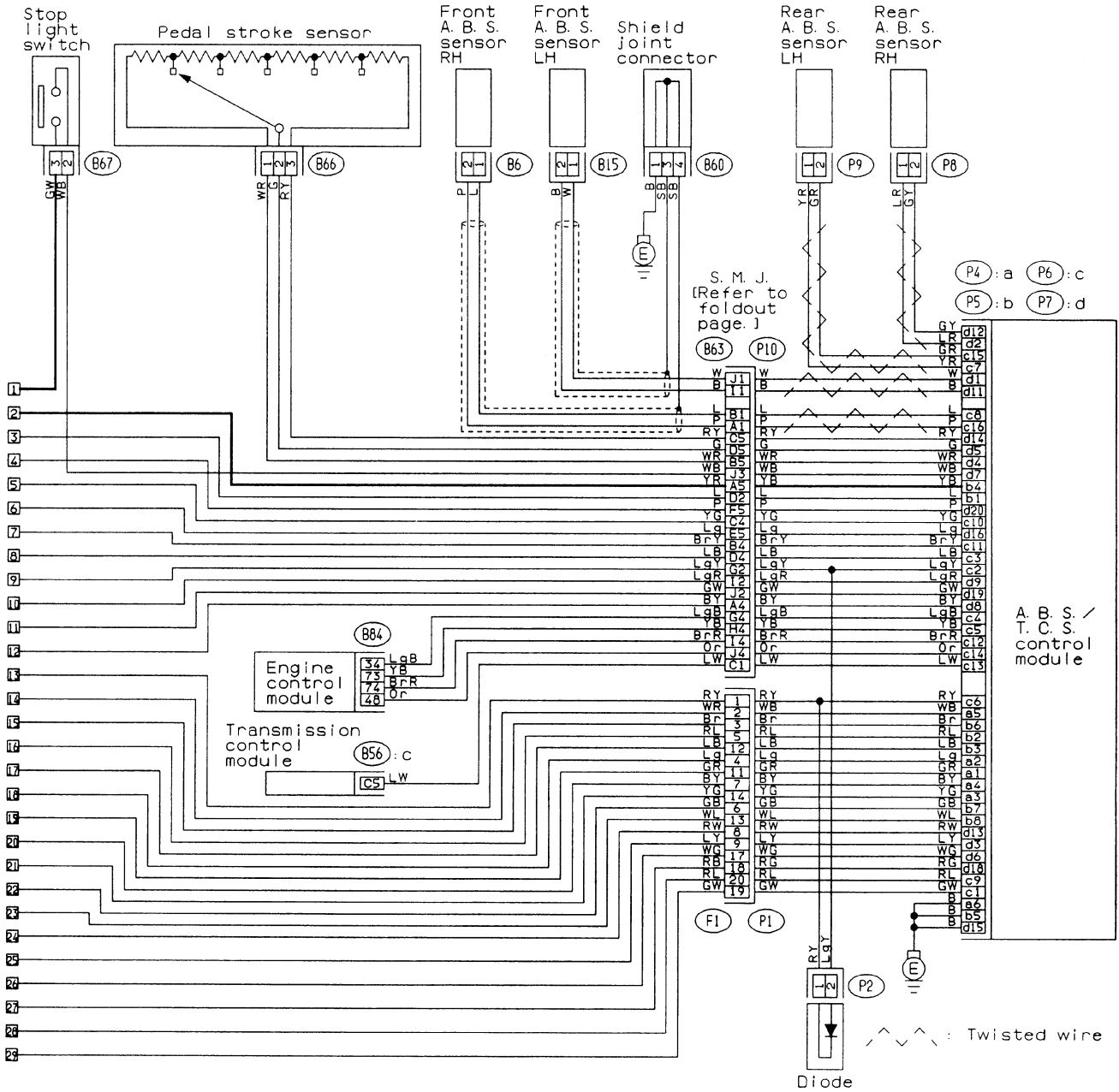
BUR25-01

33. SUNROOF SYSTEM



34. TRACTION CONTROL SYSTEM



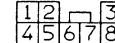


(Gray) B6 P8 (Gray)

(Gray) B15 P9 (Gray) P2 (Black) B66 (Black) B60

B67 (Black) P4

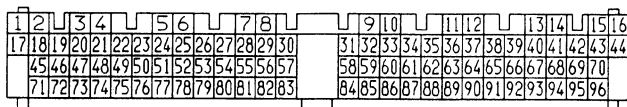
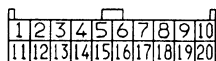
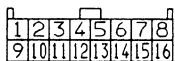
P5



P6

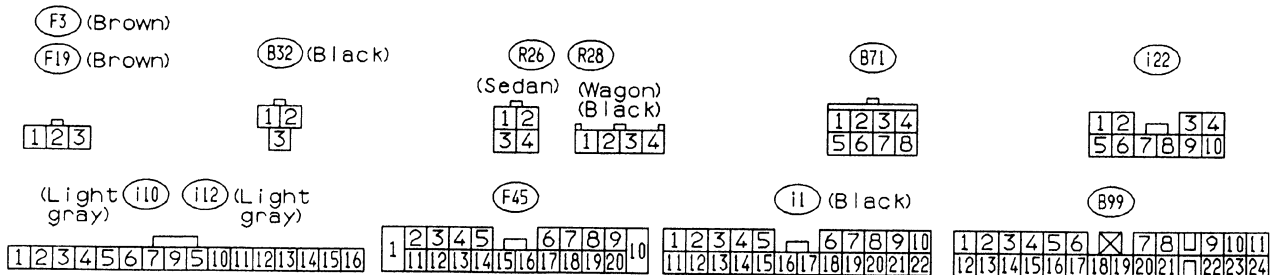
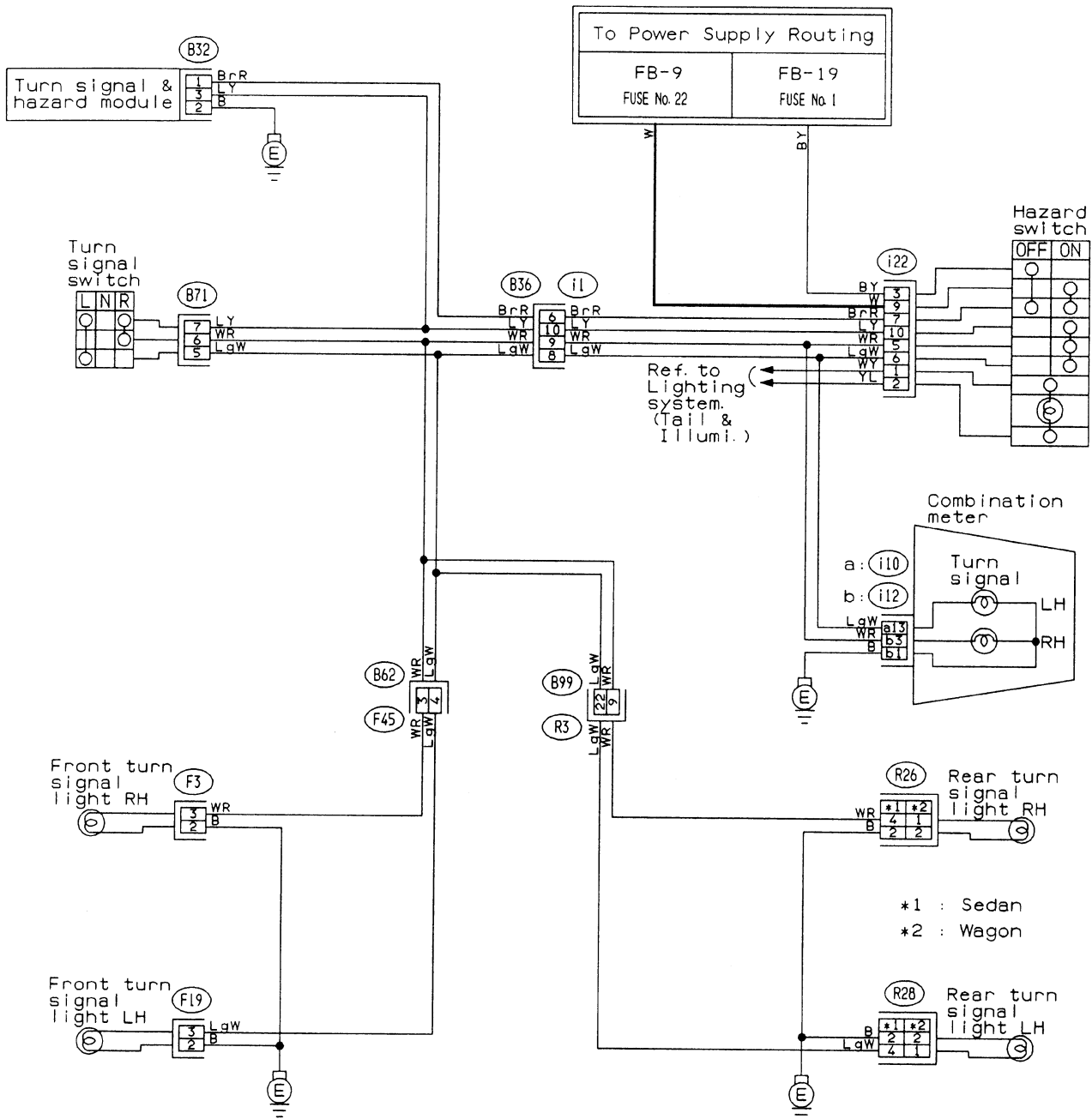
P7 B56 (Black)

B84 (Dark gray)



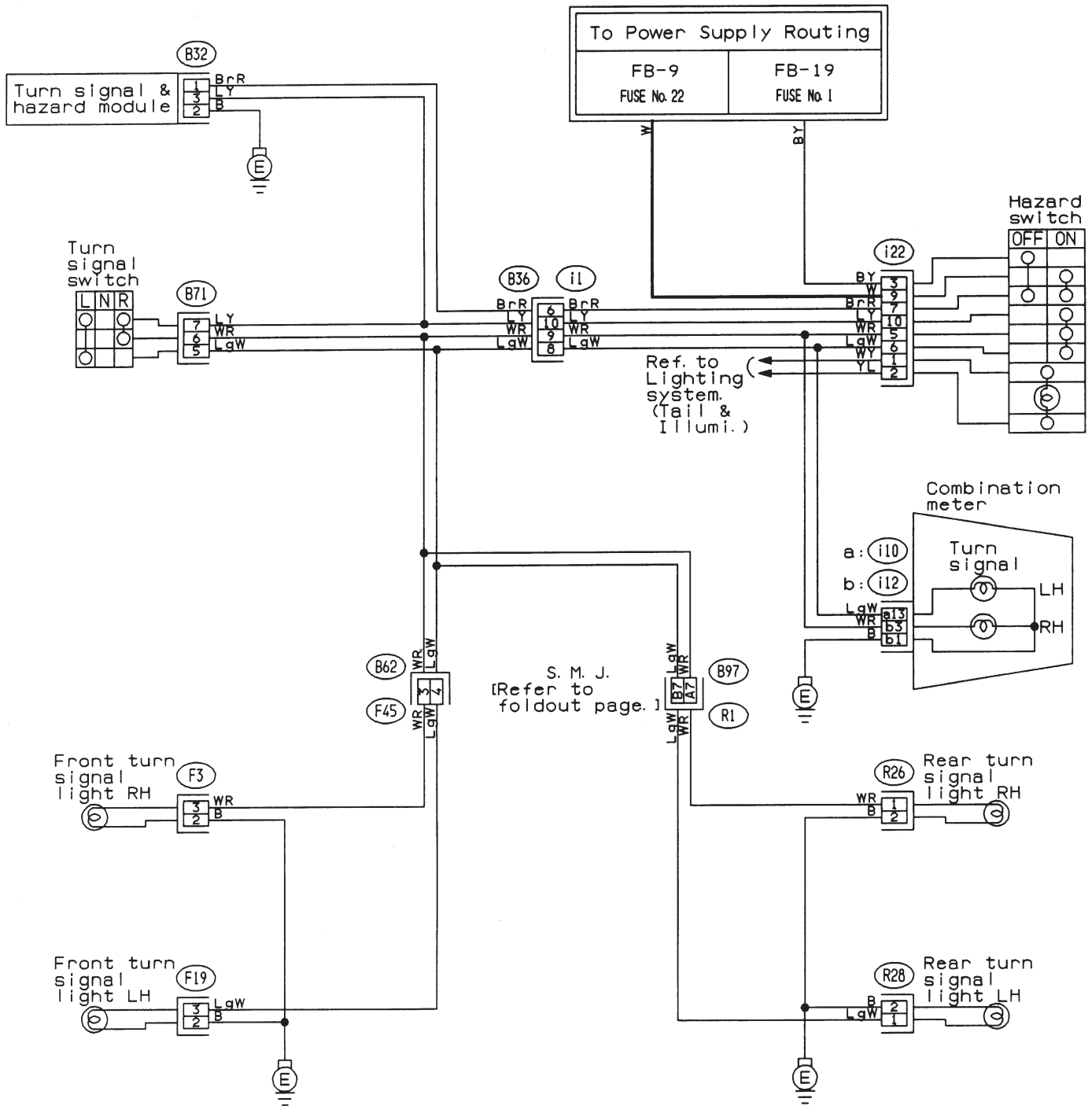
35. TURN SIGNAL AND HAZARD SYSTEM

● LHD model



35. TURN SIGNAL AND HAZARD SYSTEM

● RHD model



(F3) (Brown)

(F19) (Brown)

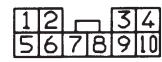
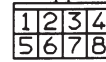
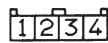
(B32) (Black)

(R26) (Black)

(R28) (Black)

(B71)

(122)



(Light gray) (i10) (i12) (Light gray)

(F45)

(i1) (Black)

